

TRAFALGAR CISTERN

INSTALLATION INSTRUCTIONS

We recommend installation by a licensed plumber. Consult our Plumbers Directory online at <https://fixatap.com.au/find-a-plumber> or via the QR code:

Ensure the backflow prevention complies with AS/NZS 3500.1 requirements. See fully labelled diagram, and read through all instructions prior to installing.

Do not use corrosive detergents or solvents containing chlorine or hypochlorite on the tank. Using these liquids can seriously damage the tank and its accessories, which may lead to leakage.

Water pressure range: 0.02MPa - 0.8MPa. Working temperature range: 2°C to 45°C.

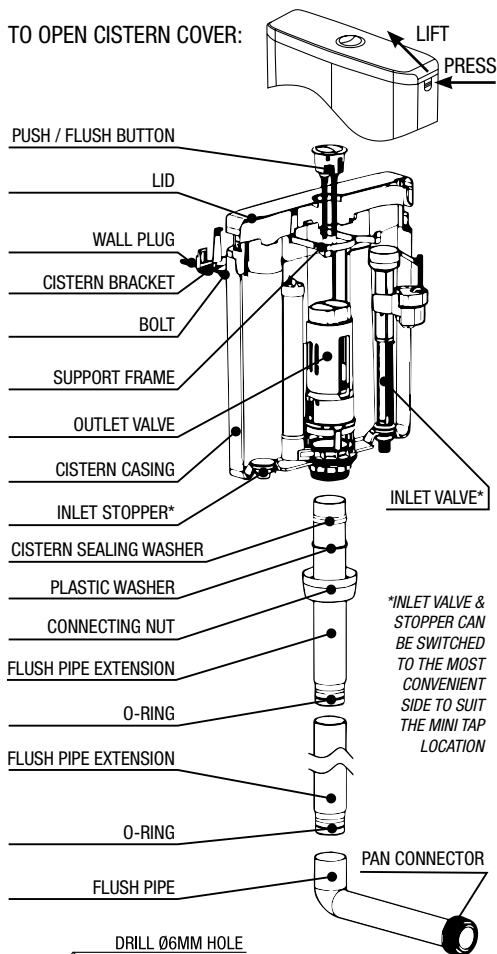
Do not expose the cistern to hot objects.



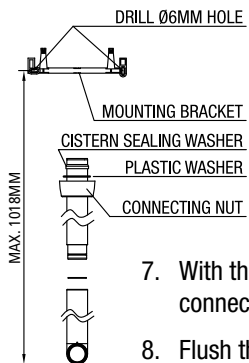
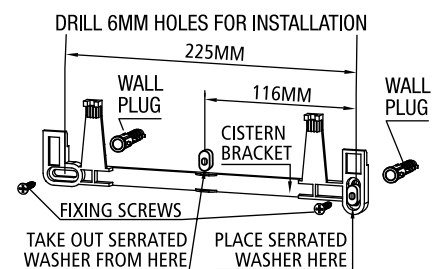
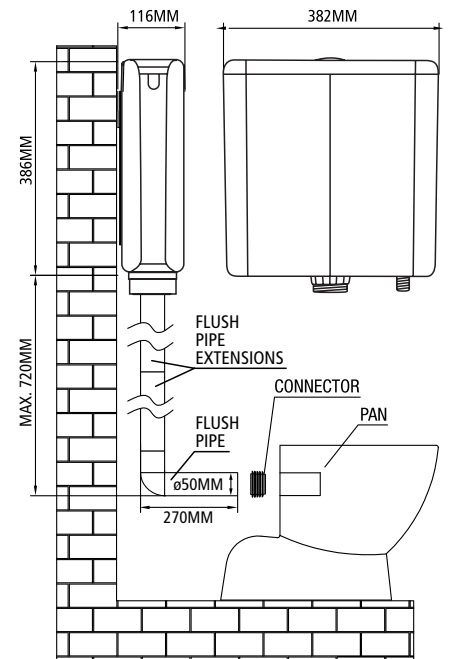
WELS Lic. 0313,
4.7L Full Flush,
2.8L Half Flush,
Average Flush 3.2L,
WELS Rated: 4 Stars.
WELS Reg. No.: L06930



FIX-A-TAP®
AUSTRALIA PTY LTD
The Ultimate Plumbing Solution
PO Box 200 Wahroonga
NSW Australia 2076
www.fixatap.com.au



- Note cistern measurements in the diagram to the right, and establish where to hang your cistern. The flush pipes can be cut to suit your desired wall height and pan fitting.
- To open the cistern cover, press the button on the cover and push up (see diagram on left).
- Attach the flush pipes with the narrowest flush pipe in the horizontal position. Note: cistern comes with 2 flush pipe extensions for extended height if required. Place the pan connector onto the end of the narrow flush pipe, and insert into the back of the pan. If the flush pipe is too long, cut it to the correct size before inserting it into the pan.
- To attach the cistern to the wall, establish the desired height (noting that there is approx. 29.5cm from the drill holes to the base of the cistern). Drill 6mm holes, then insert the wall plugs and attach the mounting bracket using the fixing screws and serrated washer.
- Add the connecting nut and cistern sealing washer to the flush pipe.

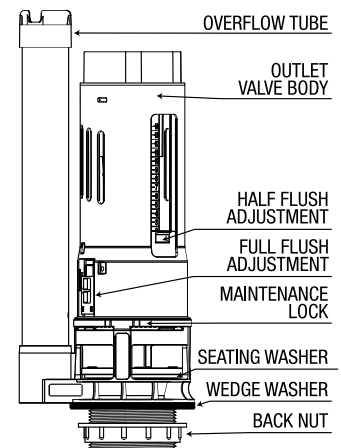
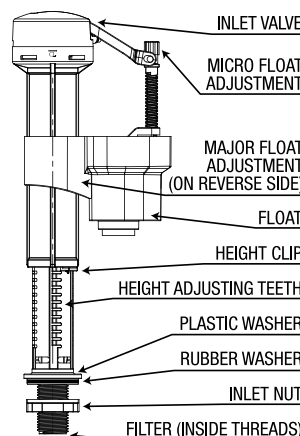


- Hang the cistern securely onto the mounting rack and push the flush pipe into the base of the outlet valve within the cistern. The cistern can be levelled by adjusting the position of the mounting rack.

- With the cistern correctly positioned, tighten the connecting nut onto the thread of the outlet valve.
- Flush the water supply lines, connect water supply and check operation of cistern.

- Fit the cistern lid, test push button operation and check for leaks.

Your cistern should have the inlet and outlet valves pre-installed, however occasionally some troubleshooting is required to fix minor issues. Please refer to chart overleaf for troubleshooting suggestions.

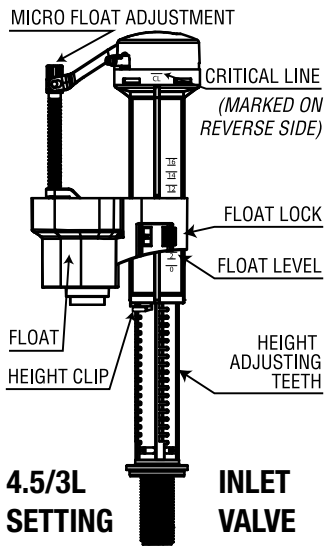


WATER ADJUSTMENT

To change the flush rate, make the following adjustments. The levels for popular settings 4.5/3, 6/3 & 8/4L are given below:

On the inlet valve: The Micro Float Adjustment may need to be adjusted (by twisting the top) to keep the float sitting flat. To adjust the valve height, remove the Height Clip by pressing downwards, then twist the top part of the valve anti-clockwise to release the height adjusting teeth. Slide the valve up or down to the correct position, then twist the top part clockwise to lock in. Ensure the height clip is inserted back into place.

For the outlet valve: push in the top of the red lock on the Full Flush Adjustment, adjust up or down, then relock by pushing the bottom of the red lock.



4.5/3L INLET VALVE SETTING

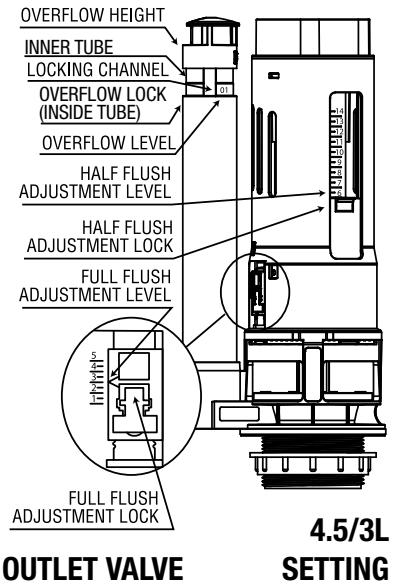
Press the aqua Half Flush Adjustment Lock, and adjust by moving up or down to the correct level. To adjust the overflow, hold the inner tube of the overflow, then twist anticlockwise as far as it will turn until the locking channel faces the overflow lock (Note: The Overflow Lock is only visible inside the overflow tube when unlocked). Slide up or down, then rotate to lock into place. Ensure all items are locked after adjustment.

4.5/3L - INLET VALVE: Adjust height to show 18 Height Adjusting Teeth. **OUTLET VALVE:** Adjust Full Flush to 3. Adjust Half Flush to 6. Adjust overflow tube to show Level 1.

6/3L - INLET VALVE: Adjust height to show 25 Height Adjusting Teeth. **OUTLET VALVE:** Adjust Full Flush to 2. Adjust Half Flush to 11.5. Adjust overflow tube to show Level 4.

8/4L - INLET VALVE: Adjust height to show 31 Height Adjusting Teeth. **OUTLET VALVE:** Adjust Full Flush to 1. Adjust Half Flush to 12. Adjust overflow tube to 8.

The Critical Line (marked CL on the inlet valve) must always be approximately 3cm above the overflow tube of the outlet valve.



OUTLET VALVE 4.5/3L SETTING

TROUBLE SHOOTING

ISSUE	TROUBLESHOOTING SUGGESTIONS
The inlet valve is on the wrong side for your mini tap	The cistern base has holes in both sides. To switch sides, remove the inlet stopper, uninstall the inlet valve and reinstall both on opposite sides. Ensure that the inlet stopper and inlet valve are properly secured to prevent leakage of water.
The water level in the cistern is too high or too low	The water level can be varied by adjusting the float level on the inlet valve. For small adjustments, twist the micro float adjustment. For large adjustments, follow the Water Adjustment directions above.
Inlet valve fails to access water	Ensure mini cistern tap and water source are turned on. If water is still not accessible, clean the filter located at the bottom of the inlet valve. This filter can be easily removed with pliers. Rinse thoroughly, then reinsert.
Leakage from the inlet valve	Replace the rubber washer if required, and tighten the inlet nut. Ensure that the water connector is in good condition and is adequately tightened.
Leakage from outlet valve	Ensure that the button prongs are not too long, and that the seating washer is pushing against the base of the outlet valve. If problem persists, remove valve and rinse thoroughly to clear any debris. Replace seating washer (see instructions below) and wedge washer if required. Reinstall.
Inadequate draining when the button is pressed	The button prongs may be too short. Lengthen the prongs by unscrewing slightly to reduce the amount of thread in the button and tighten the black nut.
Water released is insufficient or excessive	Remove the outlet valve by twisting the body until it releases from the base, then adjust the full & half flush by adjusting the aqua slide bars located on the sides of the outlet valve.

MAINTENANCE

SEATING WASHER REPLACEMENT: Turn off water, flush toilet, and open the cistern lid. The top part of the outlet valve can easily be removed without the need to remove the flush pipe. Simply rotate the cylindrical valve until the body is released from the base. Replace the seating washer, then reinstall the outlet valve body, and lock into position by twisting until the valve body is firmly locked into the base.

PRODUCT WARRANTY

The product warranty runs for seven years from the date of purchase. Our products come with guarantees that cannot be excluded under the Australian Consumer Law. You are entitled to a replacement or refund for a major failure and for compensation for any other loss or damage. You are also entitled to have the goods repaired if the goods fail to be of acceptable quality and the failure does not amount to a major failure.

WHAT IS COVERED: This warranty covers any defects in materials or workmanship with the exception of the reasons stated below. The warranty covers the product used in normal domestic use only. **WHAT IS NOT COVERED:** This warranty does not cover wear and tear to working parts, misuse or abuse, or discolourations due to exposure to sunlight or cleaning chemicals. The warranty does not cover the rubber components such as the wedge washer, the flush pipe ring, the seating washer, the rubber washers or the pan connector. These rubber components are covered by a 12 month warranty and should be replaced periodically as they wear out. We recommend installation by a licensed plumber. Warranty may be void if the product is incorrectly installed.

CLAIM PROCEDURE: If you believe you have a legitimate claim, contact FIX-A-TAP® Australia via our website at www.fixatap.com.au to complete the warranty claim form. Alternatively you can contact our office on (02) 9476 7400. Any written correspondence should be sent to: FIX-A-TAP® Australia Pty Ltd, Units 1-2, 41 Leighton Place, Hornsby NSW 2077. Please keep your receipt for proof of purchase. Any expenses incurred in making the claim are the responsibility of the consumer.