

click[®]

40CM DIGITAL WALL FAN

3 SPEED SETTINGS



INSTRUCTION MANUAL

Item No: 0808505

IMPORTANT SAFEGUARDS

When using electrical appliances, basic precautions should always be followed to reduce the risk of fire, electric shock and injury to persons, including the following:

SAFETY PRECAUTIONS

Read all instructions carefully, even if you are quite familiar with the appliance.

- To prevent fire or shock hazard, do not expose this appliance to rain or moisture.
- Dangerous high voltages are present inside this enclosure. To avoid electric shock, Do not open the appliance housing. Refer servicing to qualified personnel only.
- This appliance is intended for indoor use only and not for commercial, industrial or outdoor use. Other use not recommended may cause fire, electric shock or injury.
- To protect against fire, electrical shock and injury to persons, do not immerse the unit, plug or cord in water or spray it with liquids.
- The appliance shall not be exposed to dripping or splashing. Do not place the fan close to an open window. Rain splashing on the fan could cause an electric shock hazard.
- Ventilation should not be impeded by covering the ventilation openings. Slots and opening are provided for ventilation to ensure reliable operation of the appliance and to protect it from overheating.
- Only connect to a suitable AC 220-240V, 50Hz mains socket.
- Do not operate the fan in the presence of explosive and/or flammable fumes. Do not place the fan or any parts near an open flame, cooker or other heating appliance. Never install the fan the unit where it could be subject to mechanical vibration/shock or excessive dust.
- Do not use the fan near curtains, plants, window treatment, or where other objects can become caught in the blades. Do not let the power cord hang over the edge of a table or counter or let it touch any hot surfaces.
- This appliance is not intended for use by persons (including children) with reduced physical, sensory or mental capabilities, or lack of experience and knowledge, unless they have been given supervision or instruction concerning use of the appliance by a person responsible for their safety.
- Children should be supervised to ensure that they do not play with the appliance.
- Do not leave the appliance running or operable in a place where young children or animals could have access to it without supervision.
- Turn the fan off and unplug it from the outlet when it is not in use, and before cleaning.
- Do not operate the fan with a damaged cord or plug, after a malfunction or if it is dropped or damaged in any manner.
- Do not attempt to repair, disassemble or modify the appliance. There are no user- serviceable parts inside.
- Ensure that the fan is switched off from the supply mains before removing the grille.

WARNING:

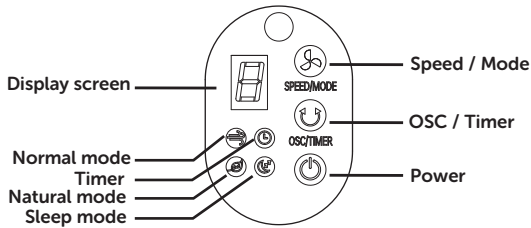
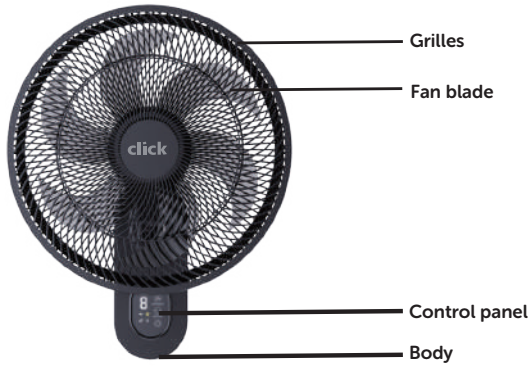
- Avoid contact with moving parts. Do not insert fingers or allow foreign objects to enter the grille openings as this may cause damage to the appliance and/or injury to the user.
- Do not use the fan unless it is fully assembled. The fan must operate standing upright.
- Do not operate without the fan grilles properly in place. Do not use the fan if grille becomes deformed, damaged or loose to avoid injury to persons.
- If the supply cord is damaged, it must be replaced by the manufacturer, its service agent, or similar qualified persons in order to avoid a hazard.

BATTERY WARNING:

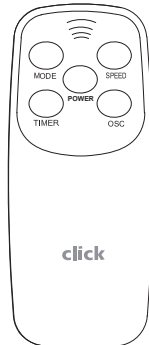
- CAUTION- Danger of explosion if batteries are incorrectly fitted /replaced.
- Batteries should be installed by an adult. Keep new and used batteries away from children.
- Only use 'AAA'1.5V batteries in this remote control.
- Be sure to insert the batteries correctly, taking care to observe the correct polarity (+and -).
- Use only batteries of the same or equivalent type as recommended.
- Do not recharge non-rechargeable batteries.
- Never mix old and new batteries (replace all batteries at the same time).
- Never try to crush, puncture or dismantle batteries.
- Do not short-circuit the supply terminals.
- Always remove exhausted or dead batteries from the remote.
- Remove batteries from the remote before extended storage.
- Dispose of used batteries responsibly at local authority household waste recycling facility.
- DO NOT dispose of batteries in a fire as the batteries may explode.
- In the event of a battery pack leaking, do not allow the liquid to come in contact with the skin or eyes. If contact has been made, wash the affected area with copious amounts of water and seek medical advice

SAVE THESE INSTRUCTIONS

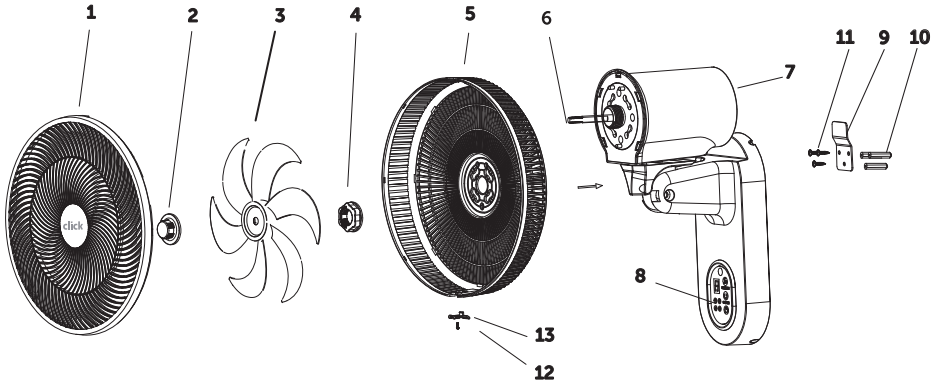
FEATURES OF YOUR 16 INCH WALL FAN WITH REMOTE CONTROL



Remote control



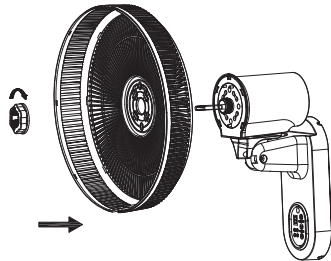
GETTING TO KNOW YOUR 16 INCH WALL FAN WITH REMOTE CONTROL



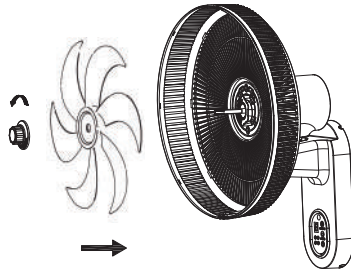
- | | |
|-----------------|-------------------|
| 1. Front grille | 8. Control panel |
| 2. Blade nut | 9. Hook |
| 3. Blade | 10. Expansion |
| 4. Grille nut | 11. Screw |
| 5. Back grille | 12. Grille buckle |
| 6. Motor shaft | 13. Safety screw |
| 7. Fan body | |

Assembling and Installing Your Wall Fan

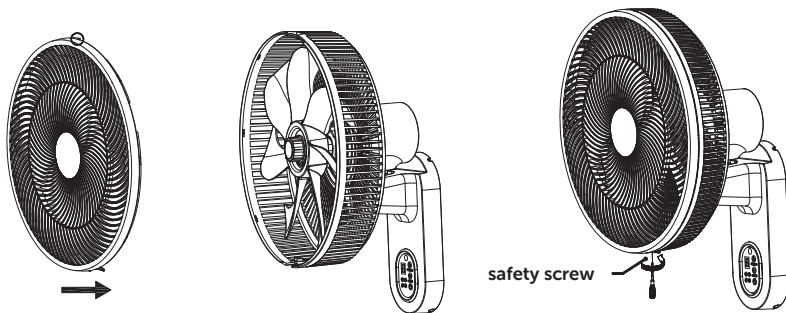
1. Remove the grille nut from the fan body. Position the back grille so that it is aligned correctly, then replace the grille nut, tighten to secure (but do not over tighten).



2. Remove the plastic sleeve on the motor spindle (main body). Position the fan blade , aligning the groove in the centre, then use the blade nut to secure in place. Tighten (but do not over tighten).



3. Mount the front grille onto the back grille by first attaching the top, then buckle it along the top and down the sides to secure it in place. Finally, fix the bottom buckle and secure it with the safety screw to lock everything in place.



4. Wall-mount Instructions

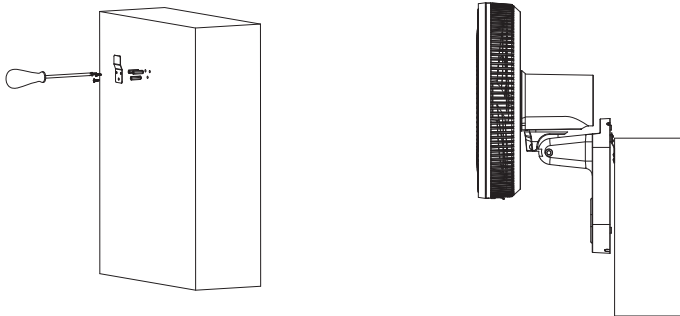
This Fan comes with a wall mounting kit. To mount the fan to the wall, you must adhere to the following installation instructions to ensure that the fan is installed and secured safely:

1. Only mount the fan horizontally. For installation of the fan, care must be taken not to damage concealed cables.
2. The fan must be installed with the specific wall hook plate that comes with it.
3. Leave at least 400mm of space between the hook and the ceiling. Leave at least 400mm of space between the hook and the adjacent wall.
4. Install the fan near and within reach of a domestic power outlet, where such a power outlet is adjacent to and on the right-hand side of the fan (where the power cord exits from the fan). Do not use extension leads to reach the nearest power outlet.
5. The wall hook must be secured into a solid substrate (brick, concrete, etc.) or aligned with timber or metal wall studs, The wall on which the product is to be installed must be at least 10mm thick. DO NOT secure onto just plaster or similar materials that cannot support the weight of the heater. Mounting brackets, screws and wall plugs are included.
6. Do not connect the fan until properly fixed to the fan and the instructions are read fully. The minimum distances must be observed.
7. Please be careful while drilling the holes.

8. If the product is installed too close to the ceiling, floor or adjacent wall, it may not be able to function properly.
9. DO NOT let the power cord be pinched between the product base and the wall.

Steps:

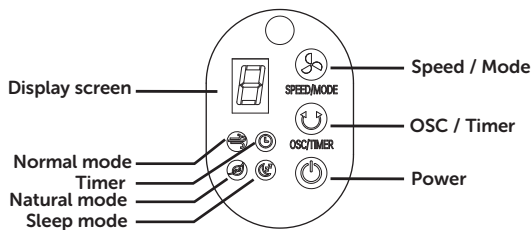
1. Place the wall hook plate on the spot where you want to install the fan and mark the 3 screws fixing positions on the wall.
2. Use a 6.0mm Masonry drill bit, drill 30mm deep holes at the marked positions, insert wall plugs, and secure the wall hook with the ST4X30mm screws provided. For plaster walls with Timber or Steel wall studs ensure to secure the wall hook to at least 3 wall studs. In this instance, there is no need to drill holes to insert wall plugs but can secure the wall hook with screws directly into the studs.
3. Align the two holes on the back panel of the product with the hooks of the wall hook plate.
4. Slide the product downwards until it latches securely onto the wall hook plate.
5. Connect the mains cord to the connector jack of the Fan onto the product base, Unwind the power cord and plug your Fan into a socket outlet. Ensure that the voltage on the specifications plate is the same as in your home.



Before Using Your Wall Fan

- Make sure you have read and fully understand the safety instructions before operating the fan.
- Plug the power cord into a suitable power socket.

Control panel



POWER- Press this button to switch on the fan. The fan will start in normal wind mode on LOW speed, the display will show '1' to indicate this setting.
To Switch the fan off, press the POWER button again.



SPEED/ MODE- Press this button to change the wind speed. There are 3 speeds to select from: 1-LOW,2-Medium,3-High.

To change the wind mode - press and hold this button for 3 seconds. There are 3 modes to select from: Normal wind mode-Natural wind mode -Sleep wind mode.

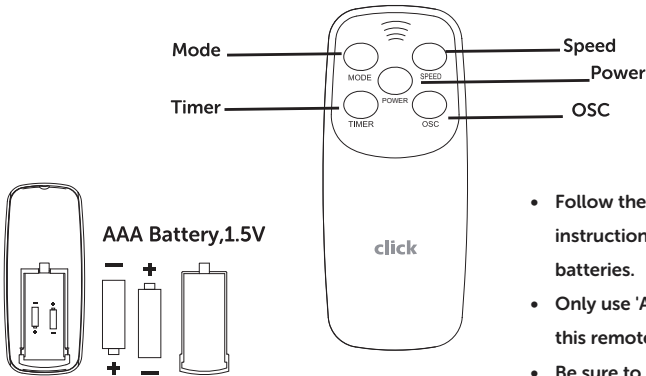


OSC/TIMER- Press this button to activate the side-to-side oscillation of the fan head.

To deactivate oscillation, press this button again.

To activate the timer function, press and hold this button for 3 seconds. The timer can be set for up to 9hrs. Short press the button to select the desired length of time (e.g., 1, 2, 3, ... 9 hours)

Remote Control



- Follow the manufacturer's instructions when installing new batteries.
- Only use 'AAA' 1.5V batteries in this remote control.
- Be sure to insert correctly taking care to observe the correct polarity (+ and -).
- Do not mix old and new batteries.

Tilt Function

The fan head can be tilted up or down to direct airflow, simply by adjusting it to the desired angle.

TECHNICAL DATA

Input voltage and frequency	220-240V~, 50Hz
Power rate	60W

NOTE: As a result of continual improvements, the design and specifications of the product within may differ slightly to the unit illustrated on the packaging.

CARE AND CLEANING

- The fan requires little maintenance and contains no serviceable parts. Do not attempt to dismantle the fan motor body yourself. The fan is permanently lubricated and will not require additional lubrication.
- Always turn off and unplug the fan from the mains supply before cleaning.
- Use only a soft slightly damp cloth followed by a dry cloth, to gently wipe the outer surfaces on the fan to clean.
- Do not try to remove the fan grille. To clean between the bars, it is recommended using a vacuum cleaner or compressed air to gently remove the dust.

DISPOSAL

Do not dispose of packaging or the product through your household waste!

The product and packaging are made from recyclable materials (plastics, metals, paper).

If the product is no longer suitable for use dispose of it in an environmentally friendly manner in accordance with your local council.

WARRANTY CONDITIONS FOR PURCHASE IN AUSTRALIA & NEW ZEALAND

Thank you for purchasing one of our quality Click products. Please keep your product(with proof of purchase), as this will authenticate your warranty. Any claim under this warranty must be made within 1 year of the date of purchase of the product. To make a claim under the warranty, take the product(with proof of purchase) to any Bunnings store(see www.bunnings.com.au for store locations).

Bunnings Group Ltd bears reasonable, direct expenses of claiming under the warranty. You may submit details and proof for consideration. The warranty covers manufacturer defects in materials, workmanship and finish under normal use. This warranty is provided in addition to other rights and remedies you may have under law: our goods come with guarantees which cannot be excluded under the Australian Consumer Law or the Consumer Guarantees Act(NZ). You are entitled to replacement or refund for a major failure and to compensation for other reasonably foreseeable loss or damage. You are also entitled to have the goods repaired or replaced if the goods fail to be of acceptable quality and the failure does not amount to a major failure. The warranty excludes damage resulting from product misuse or product neglect. The warranty covers domestic use only and does not apply to commercial applications.

This warranty is given by Bunnings Group Limited.

ABN 26 008 672 179, Botanicca 3, Level 2 East Tower 570 Swan Street, Burnley, VIC 3121,

e-mail: CustomerSupport@bunnings.com.au, PH: 1800 797 586.

Bunnings NZ Limited: PO Box 14436, Panmure Auckland 1741,

email: OnlineEnquiries@bunnings.co.nz PH: 1800 797 586

