

QUICKBUILT

FENCE SYSTEMS®



SLENDERLINE
MODULAR ACOUSTIC FENCING

INSTALLATION GUIDE

WWW.QUICKBUILTSYSTEMS.COM.AU



Available at
BUNNINGS
warehouse

THE QUICKBUILT FENCE SYSTEM IS A SMARTLY DESIGNED MODULAR SYSTEM EASY AND FAST TO INSTALL AND COST EFFECTIVE.

// THE QUICKBUILT FENCE SYSTEM HAS BEEN DESIGNED BY OUR TEAM OF BUILDERS AND TRADIES WITH THE DIY MARKET IN MIND. IT HAS BEEN DESIGNED IN A MANNER THAT GIVES AN OUTSTANDING RESULT BUT IS SIMPLE TO INSTALL.

// THE INSTALLATION OF THE QUICKBUILT SYSTEM IS SUMMARIZED IN 6 SIMPLE STEPS.

// IT IS RECOMMENDED THAT YOU READ THIS GUIDE CAREFULLY PRIOR TO COMMENCING INSTALLATION AND IF YOU HAVE ANY QUESTIONS PLEASE CONTACT OUR HELP LINE ON 1300 132 787.

// THE TOOLS REQUIRED TO INSTALL YOUR NEW QUICKBUILT FENCE ARE:

- / Hex driver bit
- / Drill / driver
- / Angle grinder
- / Square
- / Spirit level
- / Shovel
- / Line marking paint
- / String line, caulking gun
- / Post hole digger, tape measure
- / Circular Saw with Timber Blade

THE QUICKBUILT MODULAR FENCE SYSTEM IS CONSTRUCTED USING OUR UNIQUE ACOUSTIC WALL PANEL SYSTEM, SAVING TIME, MONEY AND PROVIDING A GREAT LOOKING, DURABLE ACOUSTIC FENCE.

// The acoustic wall panel results in a self supporting but lightweight panel that is light enough for 2 people to lift and carry yet strong enough to be self-supporting and not bend or sag.

// When 2 panels of our system are joined, taped and painted the appearance is the same as a rendered masonry finish yet our system can be installed in a fraction of the time of masonry and a fraction of the cost.

// Our system is a smart design enabling simple fabrication of posts for 90 degree, 180 degree and end-of-fence joins. It's as simple as fixing a standard wall mount panel to the standard 50mm x 50mm steel post and then sliding the wall panel over the wall mount panel and fixing with caulking – no mechanical fixing required!

// The Quickbuilt Modular Fence System typically reduces noise by up to 20+ dB which is approximately 4 x noise reduction.



FENCE COMPONENTS

// THE FOLLOWING DIAGRAMS ILLUSTRATE THE VARIOUS COMPONENTS REQUIRED TO CONSTRUCT A QUICKBUILT FENCE.



FOOTING DEPTH CHART

// THIS CHART HELPS DETERMINE THE CORRECT HOLE DEPTH AND DIAMETER FOR THE POST INSTALLATION ACCORDING TO THE SOIL CONDITIONS AND THE DESIRED FENCE HEIGHT.

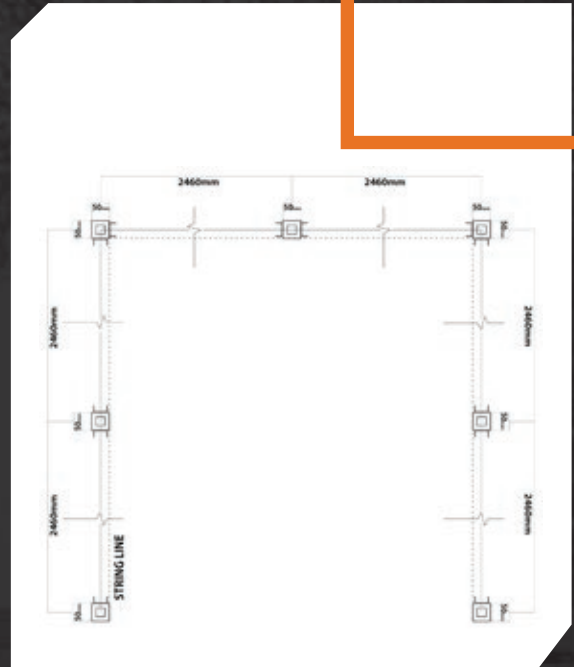
| WALL HEIGHT (MM) | HOLE DEPTH INTO FIRM EARTH OR CLAY (MM) | | HOLE DEPTH INTO SAND, SOFT CLAY OR LOOSE EARTH (MM) | | HOLE DIAMETER (MM) |
|------------------|---|---------------------------------------|---|---------------------------------------|--------------------|
| | Wind Regions A&B Terrain Categories 2.5 & 3 | Approx. concrete required (20kg bags) | Wind Regions A&B Terrain Categories 2.5 & 3 | Approx. concrete required (20kg bags) | |
| 900 | 450 | 1.5per hole | 550 | 1.5per hole | 200 |
| 1200 | 550 | 2 per hole | 650 | 2 per hole | 200 |
| 1500 | 600 | 2 per hole | 700 | 2.5 per hole | 200 |
| 1800 | 650 | 2 per hole | 800 | 3 per hole | 200 |
| 2100 | 700 | 2.5 per hole | 900 | 2.5 per hole | 200 |

STEP 1 – MEASURE THE SITE & PLOT POSTS POSITIONS & TYPES

// Measure out the site for the fence carefully and mark out the boundary of your property and the centres of the posts. Posts are placed at centres of 2460mm to match the length of each fence panel.

On a piece of paper draw up the site and plot the positions of each post which will assist in determining the number of each type of post required.

Use a string line to align posts and ensure posts are squared when installed.



1

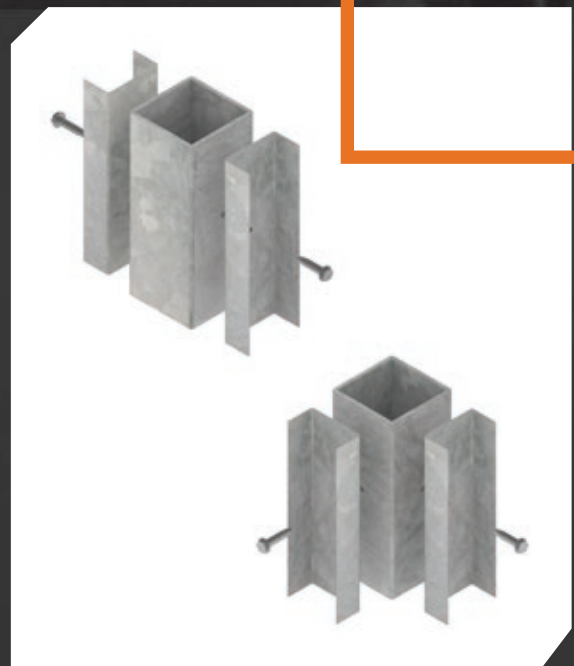
STEP 2 – MAKE POSTS INCLUDING BASE BRACKETS

// Make up each of your posts according to step 1 using the 50mm x 50mm square posts and the Panel Channel. Each post is made according to its position in the layout and is either a 180 degree, 90 degree or an end-of-line combination.

Attach the support bracket onto the short leg facing down with hex head screws.

The measurement from the top of the post to the support bracket should match your fence height plus 10mm to ensure a neat flush finish. However, if you are using an external Post Cap, please add 30mm to the measurement to allow for the Cap fitting over the post.

Fix the vertical Panel Channel to the post above the Support Bracket. The vertical Panel Channel should finish 40mm from the top of the post allowing for top Panel Channel. (or 60mm below the top of the post if External Posts Caps are being used).



2

STEP 3 – POST INSTALLATION

// It is critical that the posts are installed vertically and at the correct distance apart due to the nature of the panel sliding over the channel that is fixed to the post – therefore it is VERY important this step is done carefully.

Each post needs to be installed into a concrete footing and checked for alignment with the next post in both directions and for vertical on the side and front/back planes.

Ensure the Support Bracket is installed at ground level so the fence sits flush with the ground.

Use the string line to align posts and ensure posts are squared when installed.

Use the Top Panel Channel as a spacer for the distance between the posts. Note the Top Panel Channel is the same length as the Panels.

Note for sloping sites post height and mounting bracket installation will vary depending on the degree of slope.

Note the bottom Panel Channel is 80mm (2 x 40mm) shorter than the top Panel Channel.

Insert the bottom Panel Channel into the bottom Fence Panel ensuring a 40mm space from both ends of the Fence Panel (this gives clearance from the Side Channel during installation).

Apply Liquid Nails Fast Grab (or equivalent) every 250mm along the internal corners of the Panel Channel.

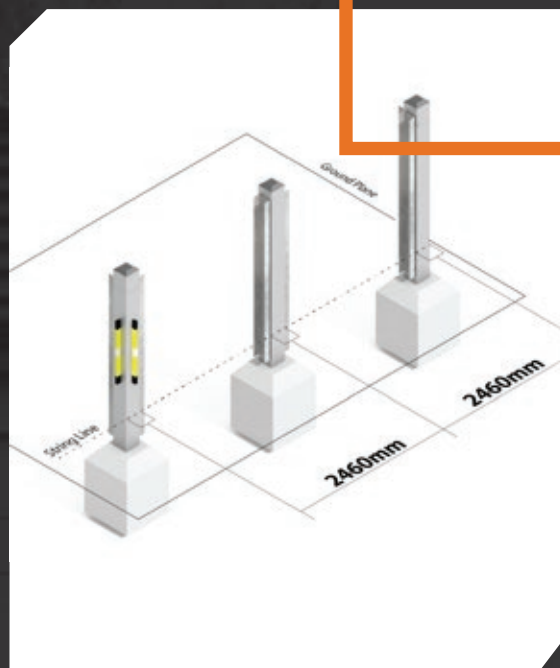
Then carefully slide the Fence Panel down over the vertical Panel Channels between each post until the panel and channel sits onto the Support Brackets.

When a panel is required to be cut to match the size of your block, use a circular saw with a timber blade. Generally you must cut through one face of the panel then turn the panel over and cut through the other face. This is due to most saw blades not being deep enough to cut through the entire panel at one time.

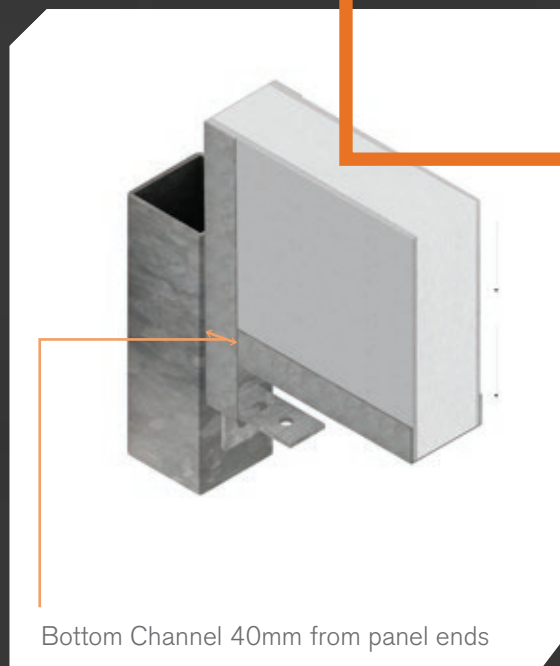
The panel should be cut 10mm shorter than the distance between the posts to allow for easier installation.

Ensure that you wear the appropriate safety equipment whilst cutting panels. Dust mask, protective eyewear and hearing protection.

3



4



STEP 4 – PANEL & CAPPING INSTALLATION

STEP 5 – TOP CAPPING & CAULKING

// Repeat with the second fence panel if your fence consists of 2 panels high, using the thin panel joining strips supplied for joining the panels.

Place the top Panel Channel on the top of the Fence Panel over the entire length of the panel. Apply Liquid Nails Fast Grab to internal corners of the Panel Channel every 250mm then gently tap the Channel onto the panel ensuring it sits neatly along the entire top edge of the panel – **note that no mechanical fixing is required.**

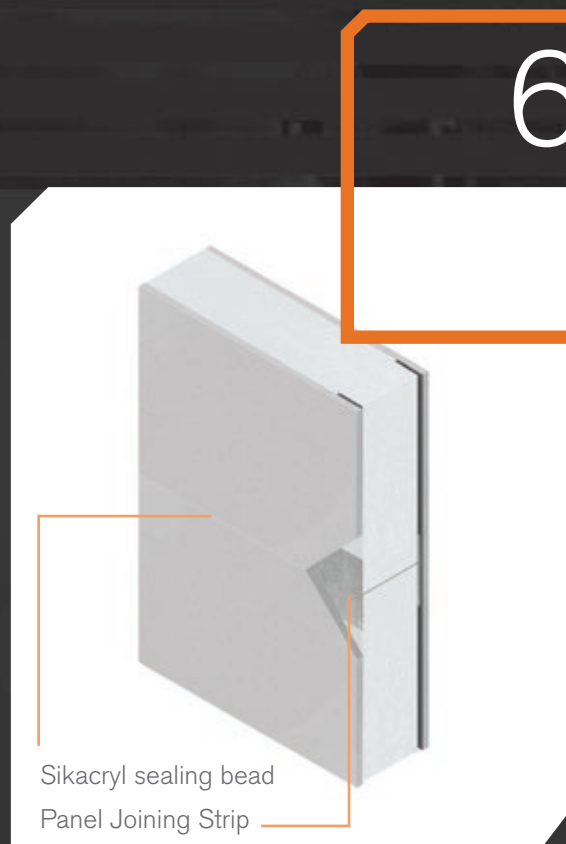
Place the Post Cap over the top of each post using caulking silicone to seal and fix in position.



STEP 6 – PAINTING & FINISHING

// Prepare the surface of the panels to ensure they are clean and ready to paint. Lightly scuff the metal posts with a scouring pad and ensure they are clean. Use Sikacryl Super (or equivalent) gap sealant between the joins of the Fence Panels to minimize the joint before painting.

Apply your chosen exterior self priming paint such as Dulux Weather Shield or Dulux Exterior Texture Coat for a quality rendered look to your fence.





// QUICKBUILT SYSTEMS IS A PROUDLY AUSTRALIAN COMPANY SPECIALIZING IN MODULAR, PREFABRICATED PANEL SYSTEMS. // WE USE A LIGHTWEIGHT PREFABRICATED PANEL SYSTEM FOR WALLS, FENCES AND CEILINGS GIVING TOTAL FLEXIBILITY TO DIY AND TRADES PEOPLE ALIKE.



WWW.QUICKBUILTSYSTEMS.COM.AU

// DESIGNED BY THE SHAPE GROUP