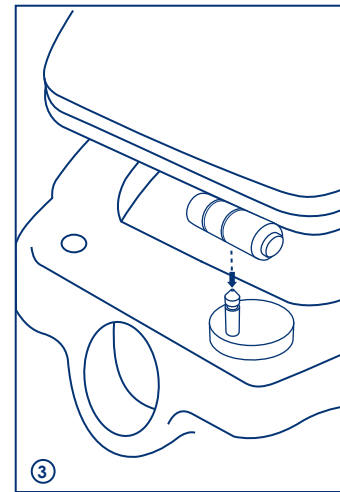
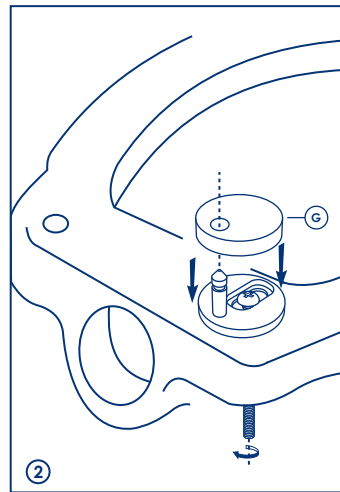
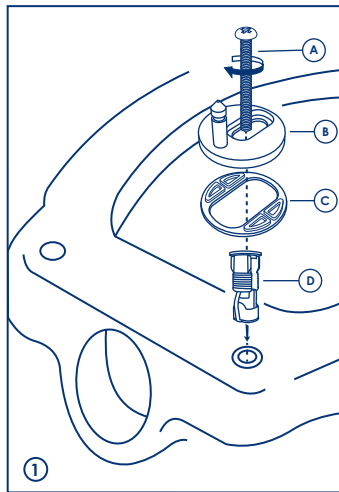


## TOP FIXING

If part D doesn't fit the fixing holes, please don't force, this may result in breakage to the porcelain, use bottom fixing instead.



## BOTTOM FIXING

