



1 Door Tall Unit

IMPORTANT

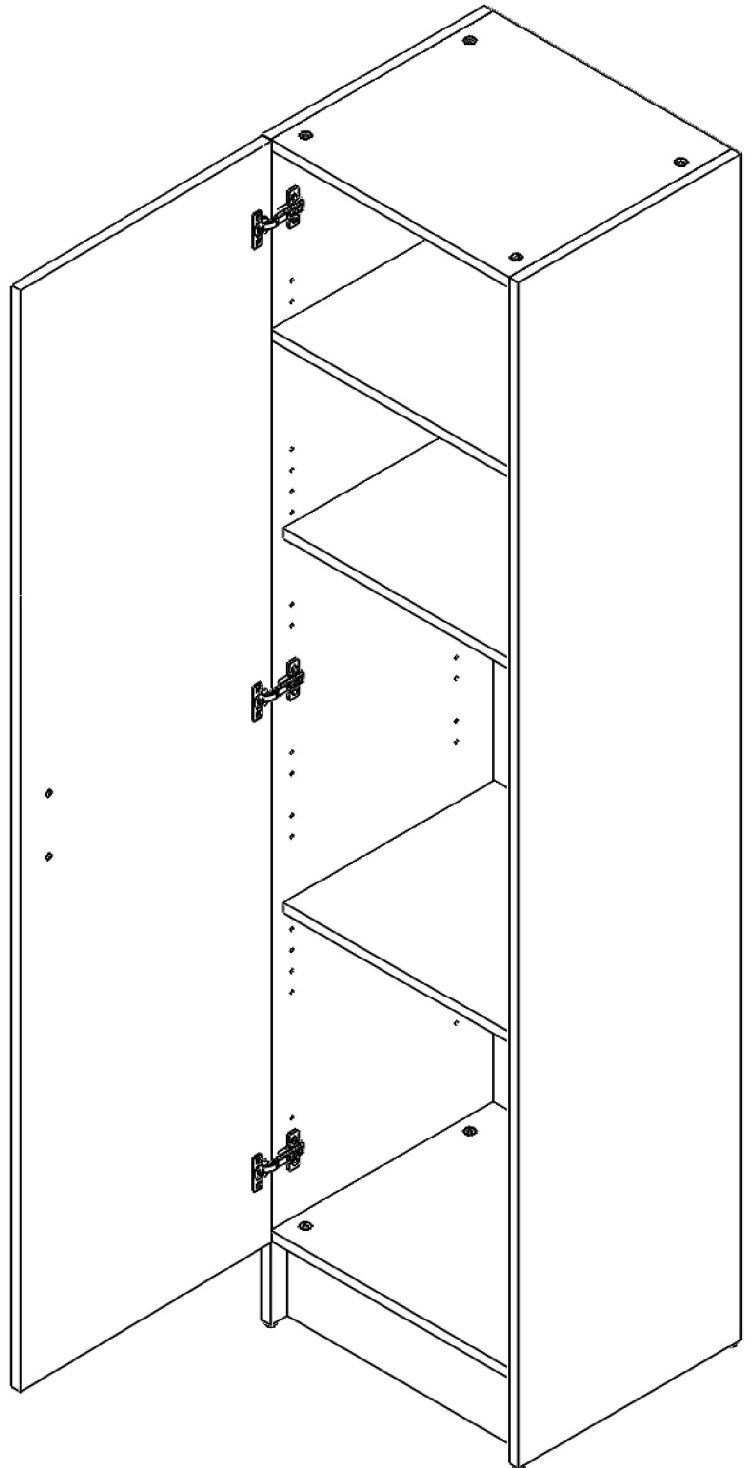
Before Commencing Assembly:

- Read all instructions **COMPLETELY**
- Ensure all listed parts are present
If any parts are missing from Parts List 1, please contact 1800 822 823.
- If any parts are missing from Parts List 2, please Contact HAFELE, Australia at 1300 559 387.
- Ensure you have the required tools to complete the assembly
(*Phillips Head Screwdriver, Hammer & Wood Glue*)

CAUTION

- Ensure your work surface is solid, level, clean and flat (**DO NOT WORK ON CARPET**)
- Ensure ALL melamine edges are facing as described in the Assembly Instructions.

IF YOU NEED TO CONTACT US WITH REGARD TO THIS PRODUCT PLEASE CALL **1800 822 823** AND QUOTE THE BATCH NUMBER SHOWN ON THE CARTON.



WARNING: Contains small parts, keep out of reach of children.

615 Goodwood Road, Panorama SA 5041
PO Box 18 Melrose Park SA 5039
Telephone: 1800 822 823, Fax: (08) 8460 0009
Email: furniture@bedfordgroup.com.au
www.bedfordgroup.com.au



Quality
ISO 9001

SAI GLOBAL

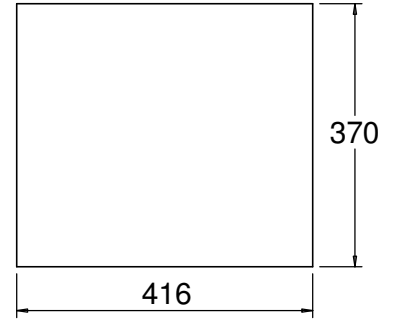
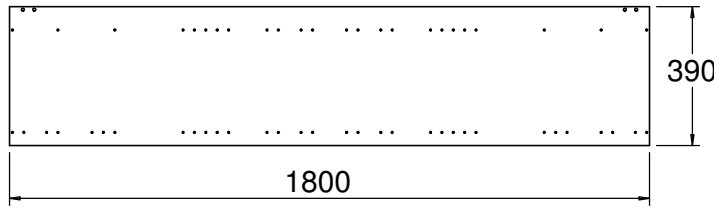
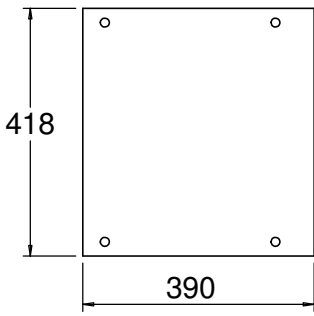


AUSTRALIAN MADE

Practical, Adaptable, Affordable.

READY TO ASSEMBLE HOME STORAGE SOLUTIONS

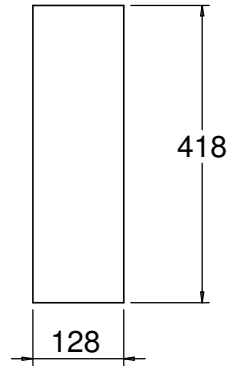
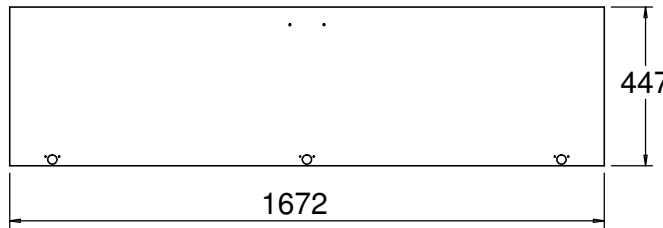
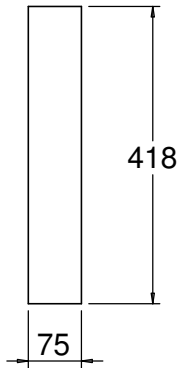
Parts List 1
1 Door Tall Unit



Part No.	Description	Qty.
1	Top/Fix Shelf/Bottom	3

Part No.	Description	Qty.
2	Cabinet End Panel	2

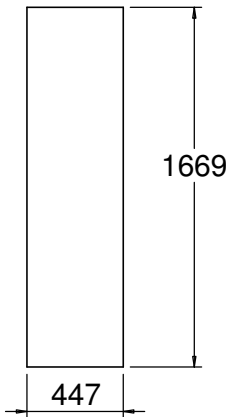
Part No.	Description	Qty.
3	Adjustable Shelf	2



Part No.	Description	Qty.
4	Top Back Rail	1

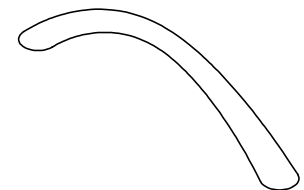
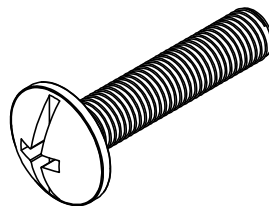
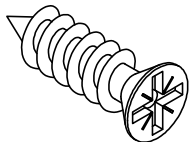
Part No.	Description	Qty.
5	Door	1

Part No.	Description	Qty.
6	Toe Rail	1



Part No.	Description	Qty.
7	Back	1

Parts List 2
1 Door Tall Unit

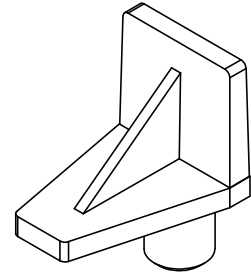
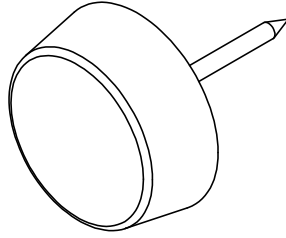
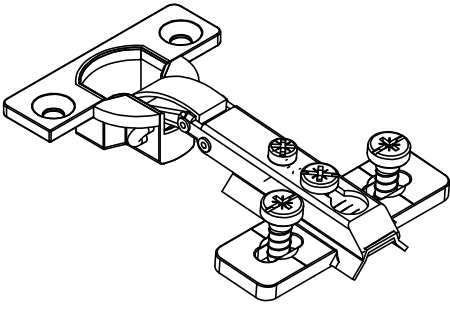


Part No.	Description	Qty.
8	Hinge Screws (15mm)	6

Part No.	Description	Qty.
9	Handle Screws	2

Part No.	Description	Qty.
10	Handle	1

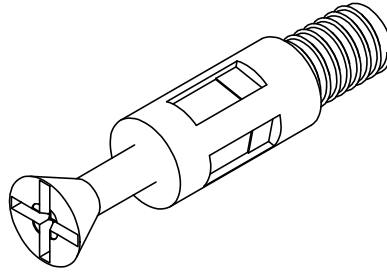
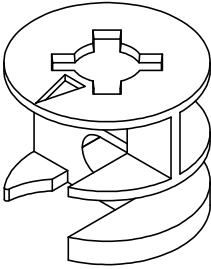
Parts List 2
1 Door Tall Unit



Part No.	Description	Qty.
11	Hinge	3

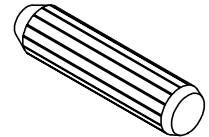
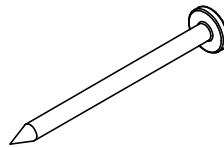
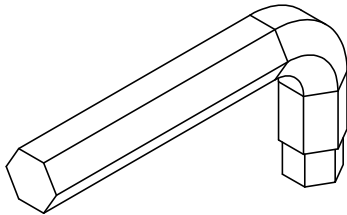
Part No.	Description	Qty.
12	Glides	4

Part No.	Description	Qty.
13	Shelf Support	8



Part No.	Description	Qty.
14	Screw Cams	12

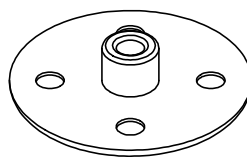
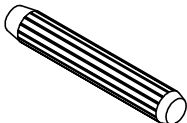
Part No.	Description	Qty.
15	Hardware Pin	12



Part No.	Description	Qty.
17	Allen key (4mm)	1

Part No.	Description	Qty.
18	Nails	25

Part No.	Description	Qty.
19	Large Wooden Dowel	4



Part No.	Description	Qty.
20	Small Wooden Dowel	4

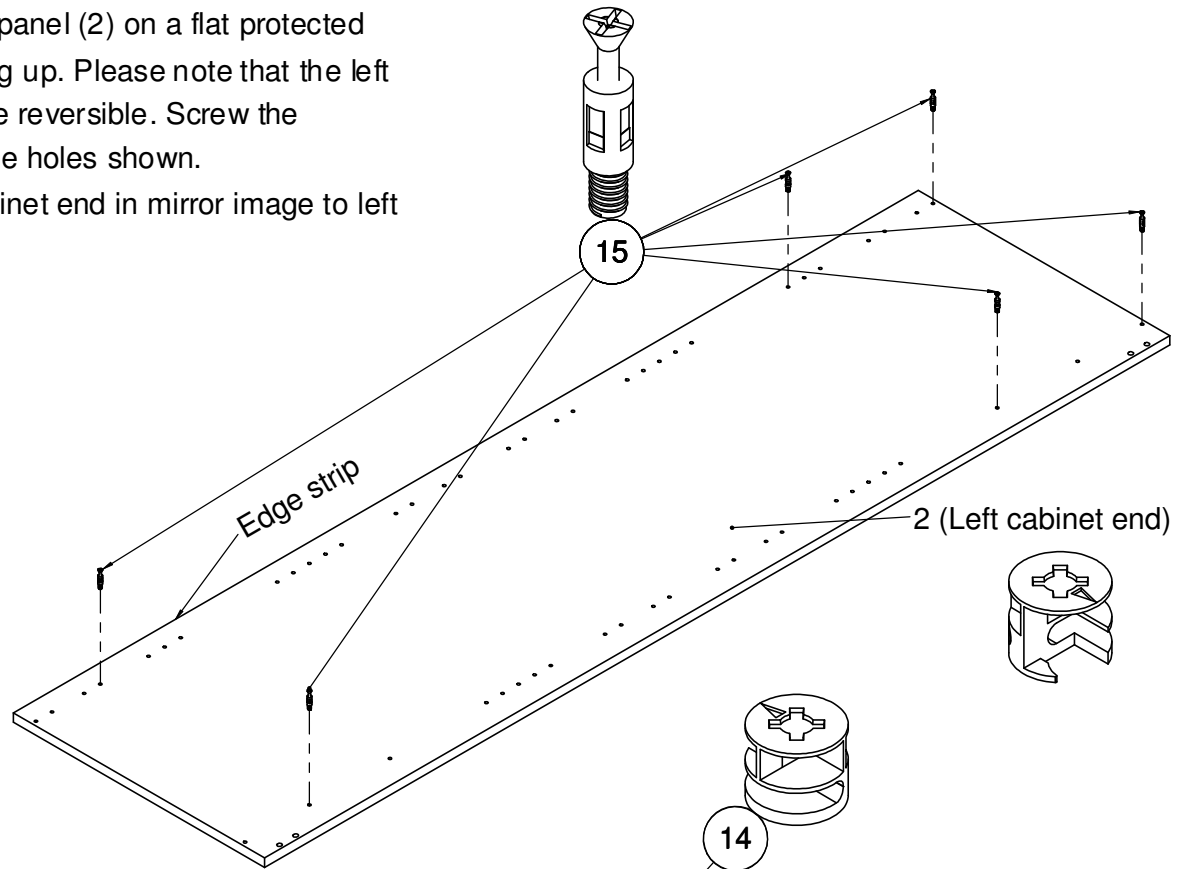
Part No.	Description	Qty.
21	Cover Caps	12

Step 1

Cabinet end panels

Please lay cabinet end panel (2) on a flat protected surface with holes facing up. Please note that the left and right end panels are reversible. Screw the hardware pins (15) in the holes shown.

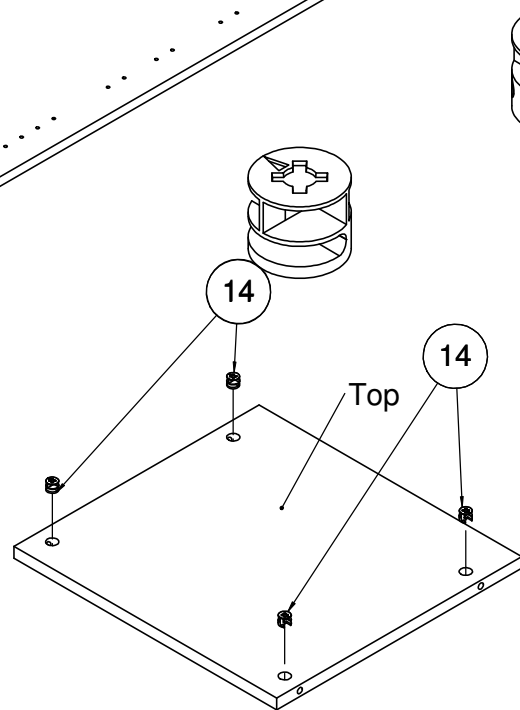
Assemble the right cabinet end in mirror image to left cabinet end.



Step 2

Top, bottom and fix shelf

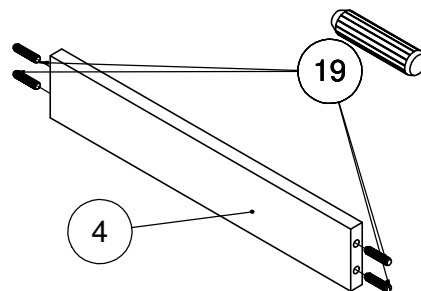
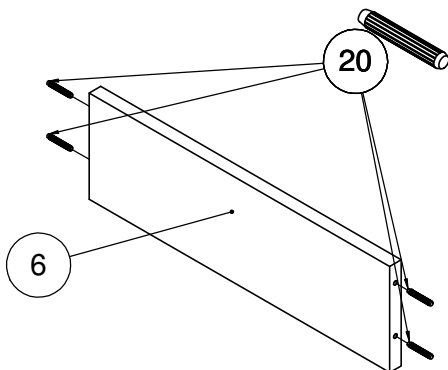
Lay the top (1) on a flat surface with holes facing up and insert the cams (14) in holes with arrows pointing to the side of the top as shown. Please note that fix shelf, top and bottom are same. Make sure to push the cams (14) all the way in by gently tapping them with hammer.



Step 3

Inserting dowels into rails

Please insert small wooden dowels (20) into the toe rail (6) and large wooden dowels (19) into top back rail (4). It is recommended to use glue prior to inserting wooden dowels (19) and (20) into the holes (please remove excess glue with a damp cloth). Make sure to push the dowels (19) and (20) all the way in by gently tapping them in with the hammer.

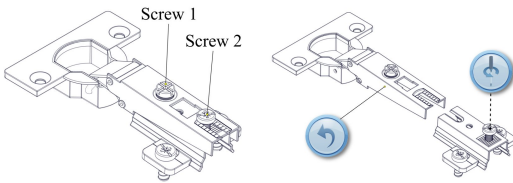
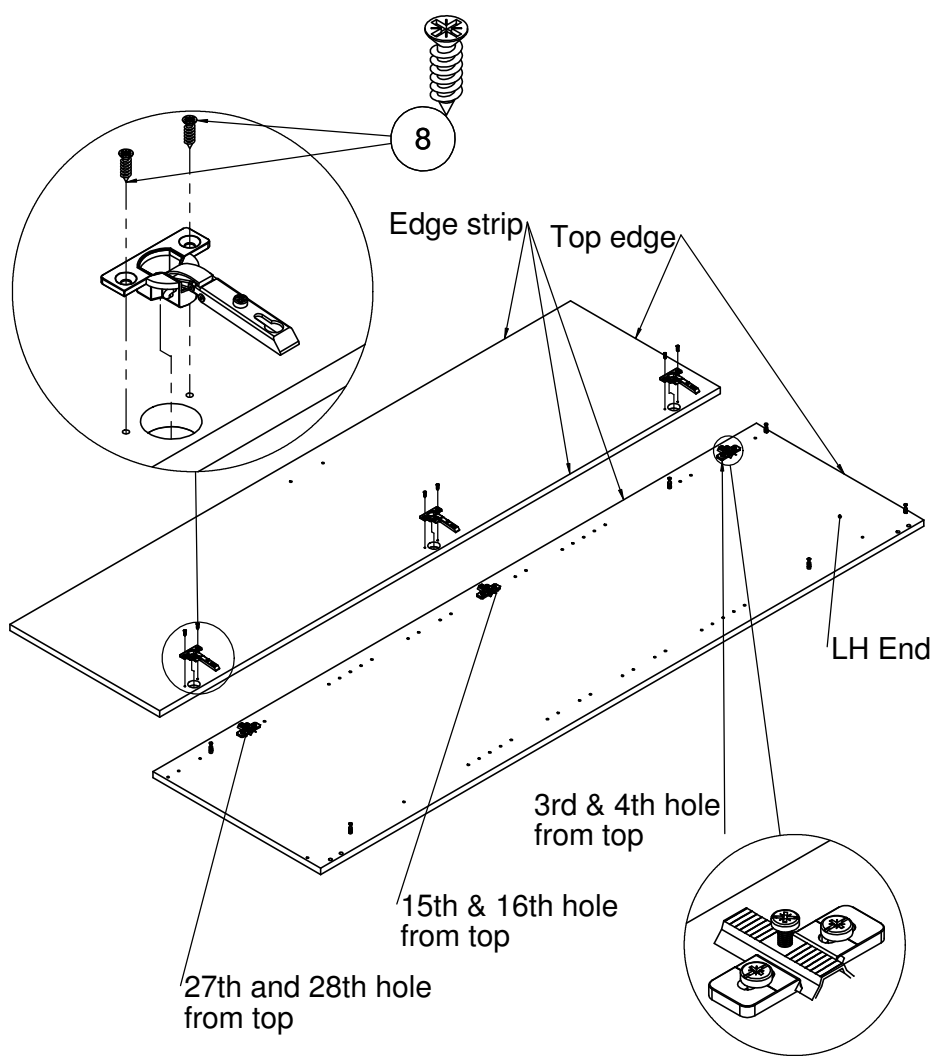


Step 4

Assembling hinge to the door panel and hinge plate to cabinet end panels

With the left cabinet end (2) lying flat and with its melamine edge facing away the assembler, lay the door panel (5) next to the cabinet end panel as shown, making sure that the top of cabinet end panel (2) and door (5) is level. The door panel (5) can easily be identified by large 26mm diameter hole.

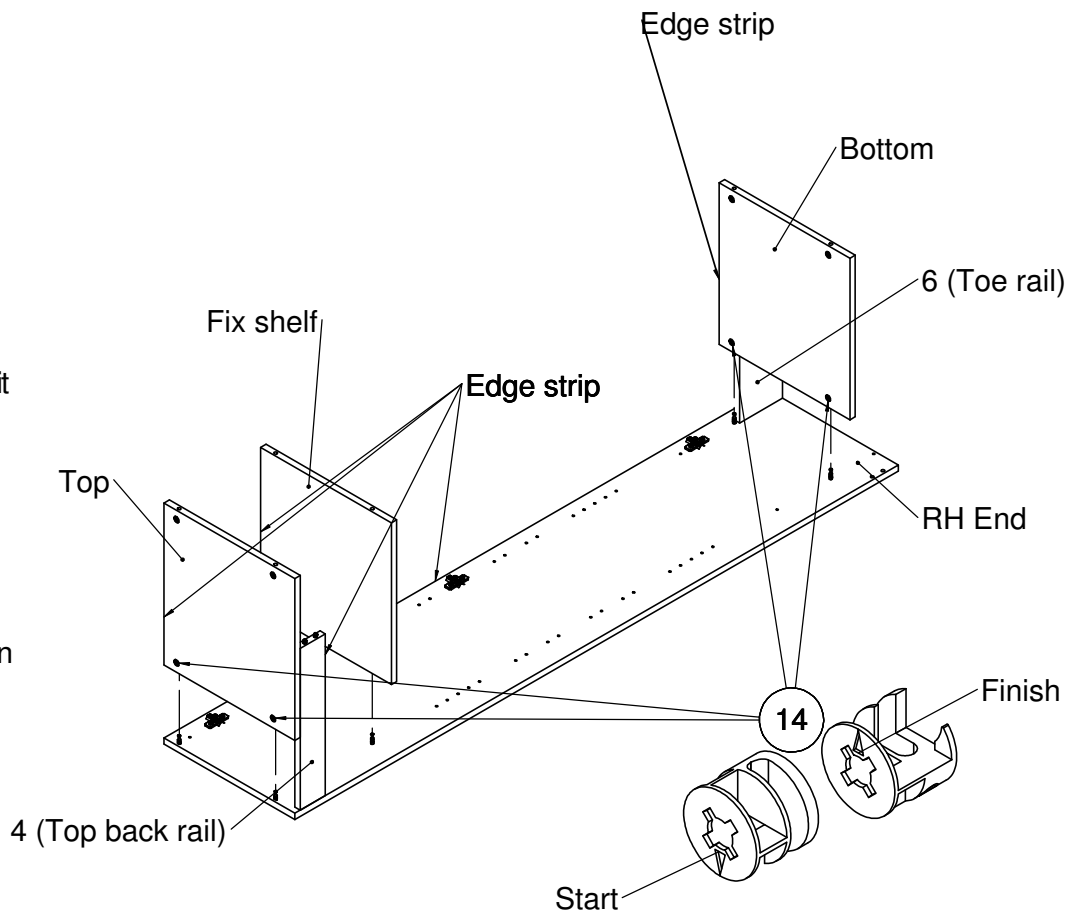
Loosen screw (1 & 2) and separate the hinge mounting plates from hinges. Attach hinge to the door panel (5) by positioning the body of hinge in large 35mm diameter holes and secure in place using hinge screws (8). Secure the three hinge mounting plates on the cabinet end panel (2) in the holes directly opposite to the hinge in the door.



Step 5

Assembling cabinet end, top/bottom/fix shelf and rails

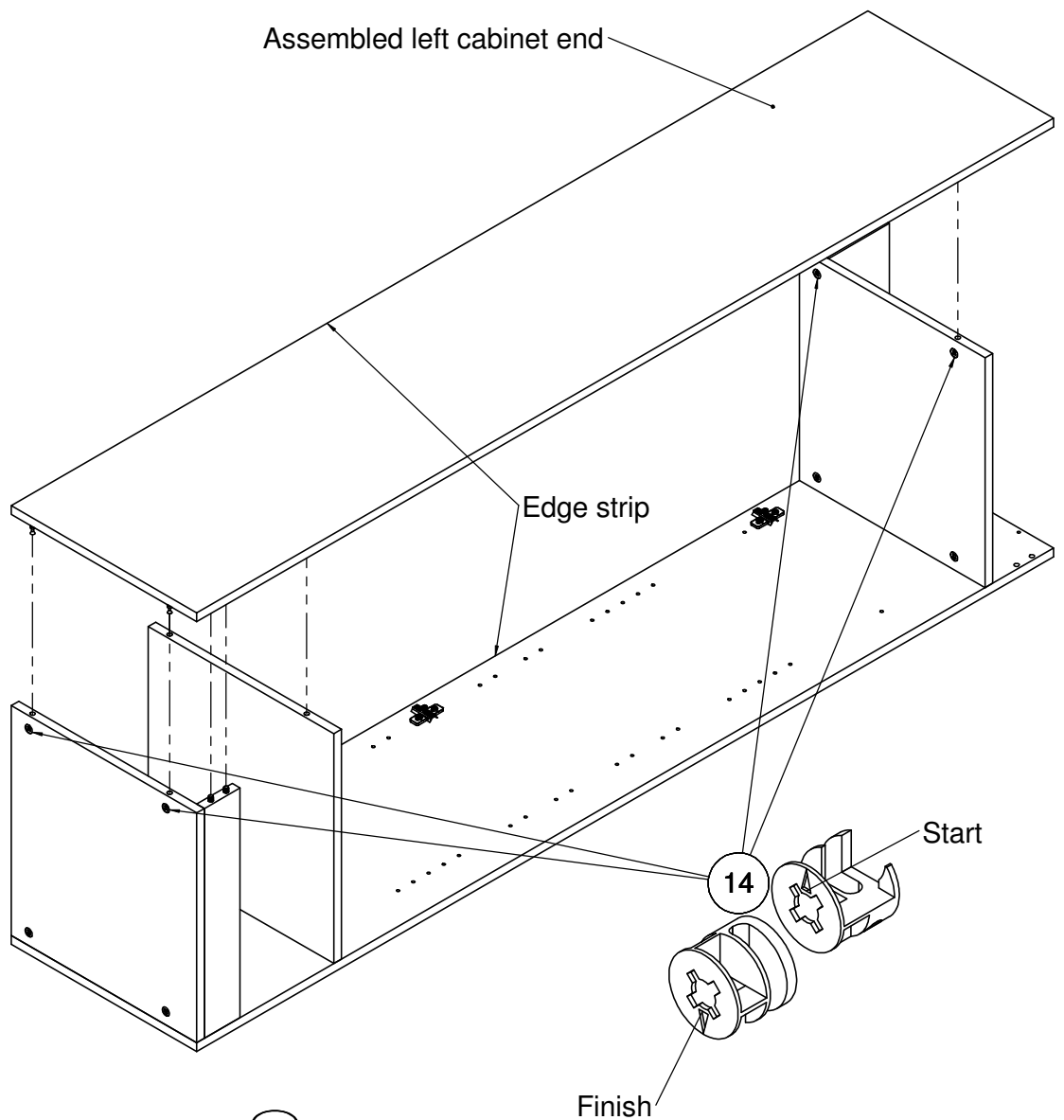
With the right cabinet end (2) lying flat and with its melamine edge facing away the assembler, attach the top and bottom to the cabinet end making sure that the edge strip faces toward the front of the unit and cams are facing toward the top of the unit. Attach the fix shelf to the cabinet end with cams facing to the bottom of unit. Lock in place by rotating cams (14) in clock wise direction by 180° using Allen Key (17). Fix the toe rail (6) and top back rail (4) to the cabinet end (2). It is recommended to use small amount of glue in the dowel holes prior to inserting rails.



Step 6

Complete assembly without door

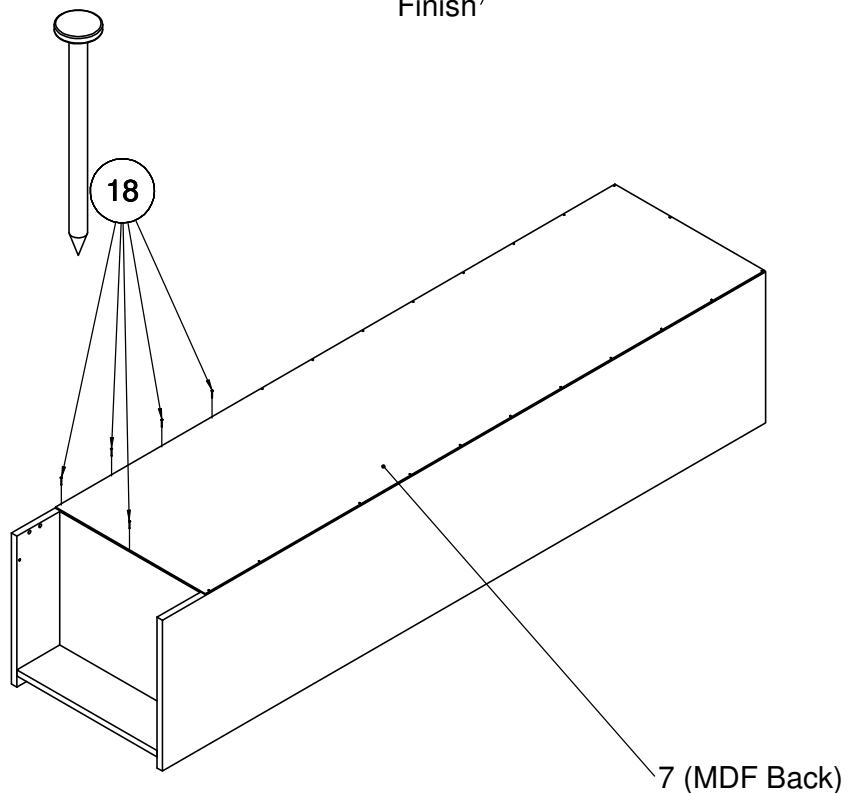
It is recommended to use small amount of glue in the dowel holes and making sure, that, all the hardware pins in the left cabinet end align with the above assembly and edge strip faces toward the front of unit, gently press the left cabinet end down so that it is completely pressed up along the shelves and rails (no gap). Lock the cams (14) in position by rotating clockwise 180°, using Allen key (17).

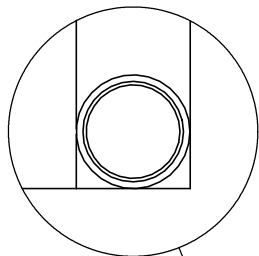


Step 7

Attaching the MDF back

Lay unit face down on a protected surface to avoid damaging melamine edges and position the back panel (7) against the top rear of the unit (approximately 1.5 mm in from all sides) with white side facing inward. Ensuring that the cupboard is square, nail the back panel (7) into position along all edges, taking care to avoid nail breakage through the surface of the top, bottom and cabinet ends.

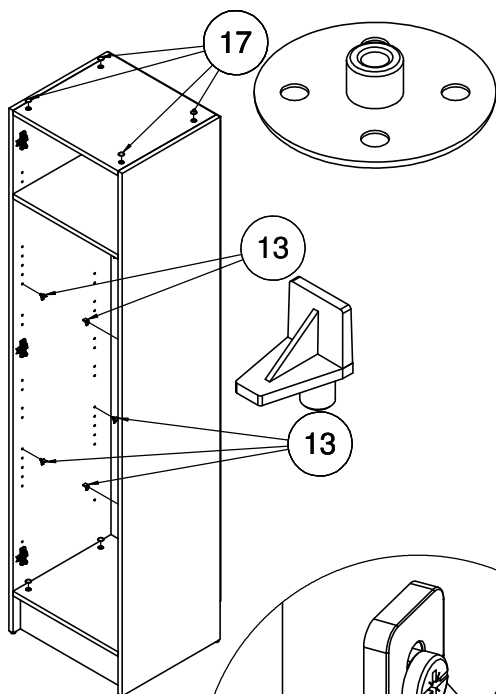
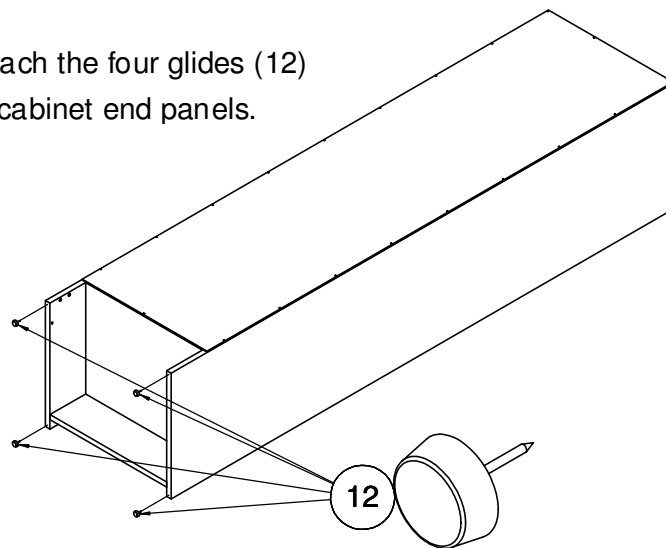
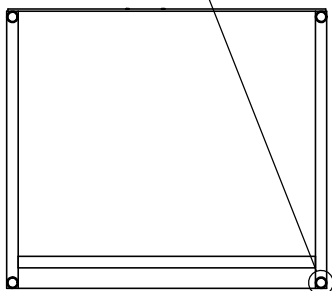




Step 8

Attaching the plastic glides

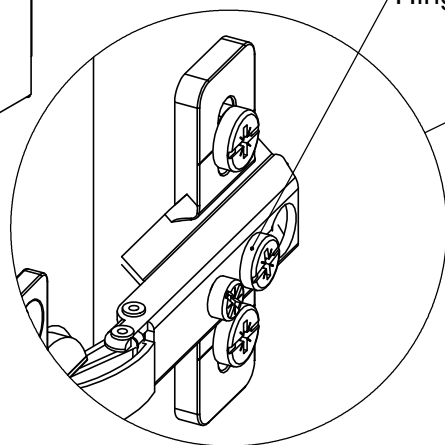
While unit is lying face down, attach the four glides (12) on the underside corners of the cabinet end panels.



Step 9

Inserting adjustable shelves

Fit the shelf supports (13) and adjustable shelves (3) into position. Fix the cover caps (21) on the cams.



Hinge Screw 2

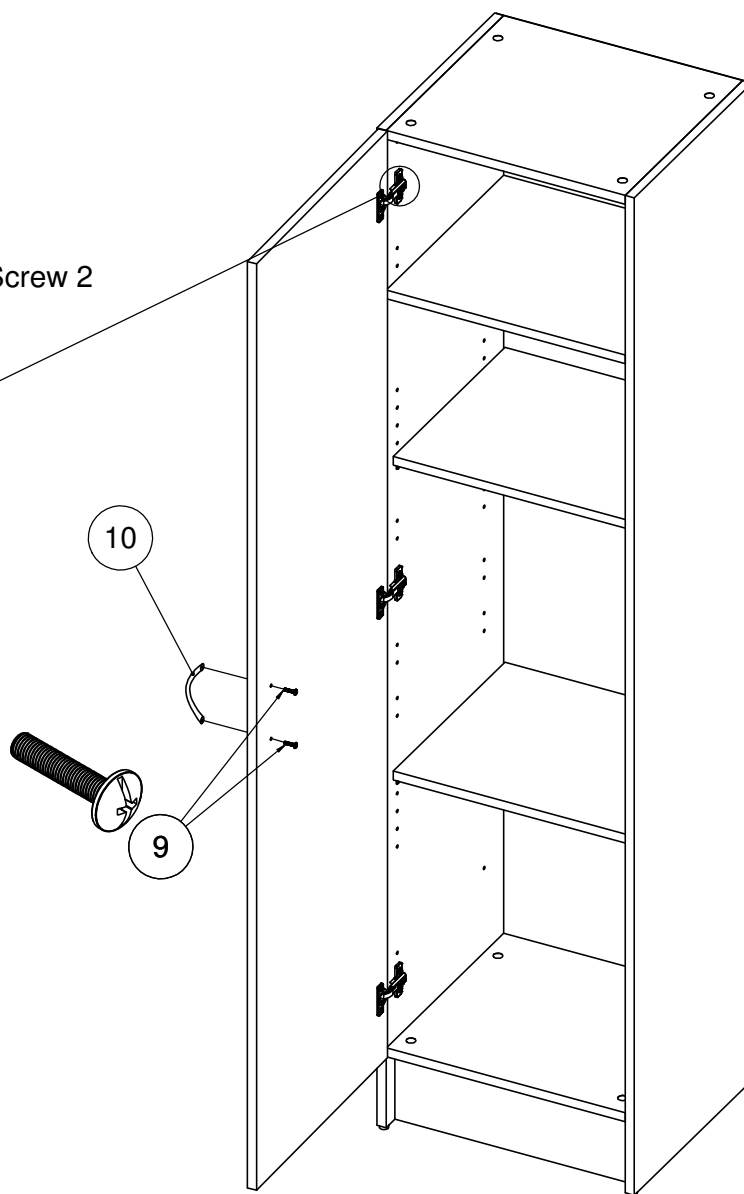
Step 10

Door assembly with the unit

Caution: If the unit is not secured with the wall it may tip forward, when, the cabinet is opened empty.

Hold the door straight against the unit so that the screw in hinge plates are in line with hole in the hinge and top edge of door is level to the top of the cabinet. Tighten hinge screw 2.

Fix handle onto the door using handle screws (9).



Step 11

Hinge adjustment

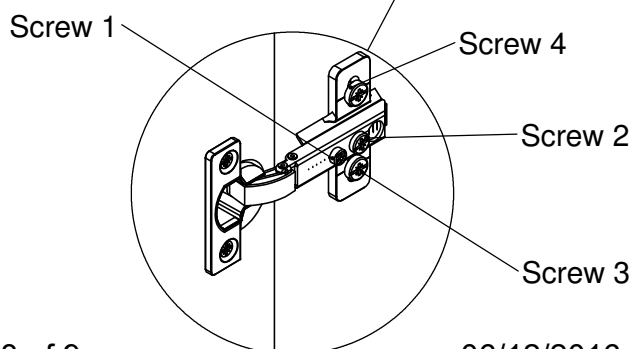
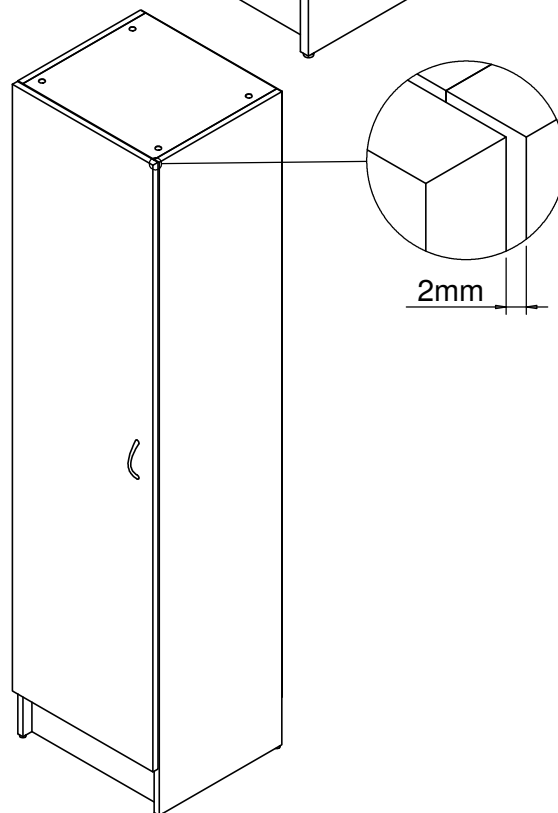
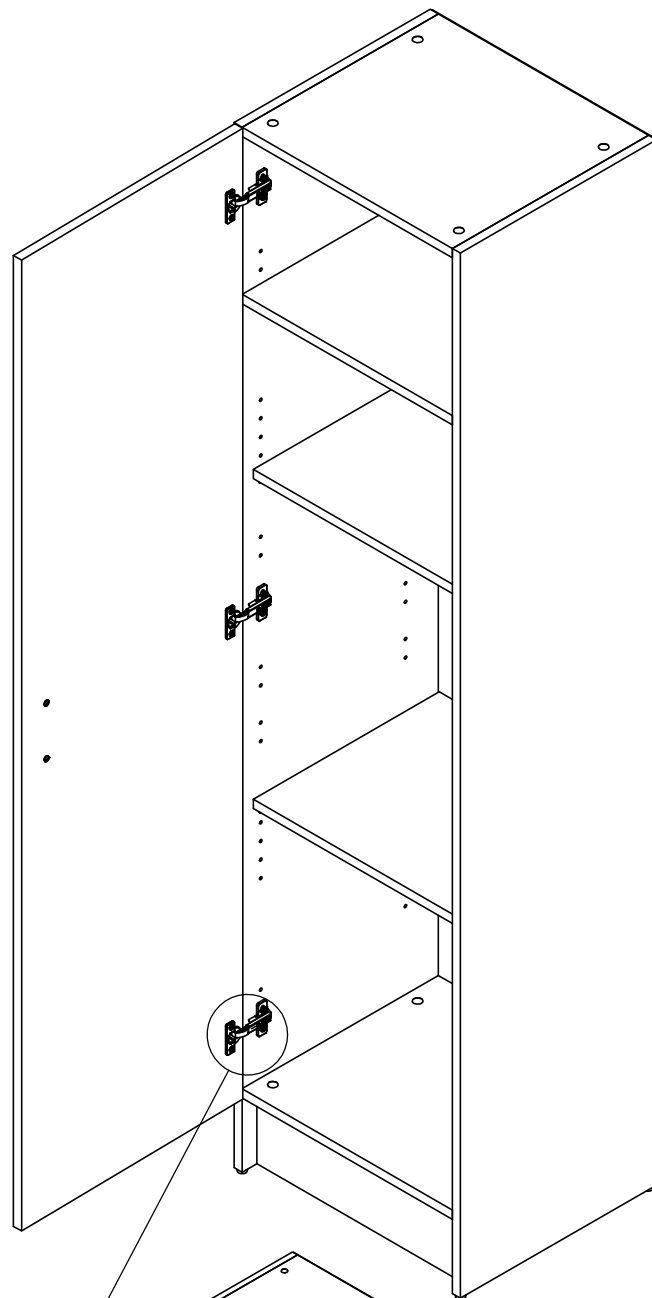
Caution: The unit may tip forward when opened empty, if not secured with the wall.

- Screw 1 is used for adjustment between cabinet end and door.
- Screw 2 is used to secure hinge to end.
- Screw 3 and 4 are used for gap adjustment between cabinet top and door as well as to secure hinge plate to cabinet end.

The following instructions should be followed to adjust hinges if the gap between the door and cabinet end is too wide or narrow:

1. Start from the top hinge.
2. Loosen screw 2 by turning screw in an anti-clockwise direction.
3. Now turn screw 1 in a clockwise or anticlockwise direction depending on which way the door needs to be moved (the amount to turn this screw is determined by the width of the gap between the cabinet end and doors).
4. Tighten screw 2 by turning in a clockwise direction.
5. Repeat these steps for the centre hinge and bottom hinge.
6. Check gap between cabinet door and cabinet end (should be approx 2mm), if not same, repeat steps 1 to 5.

To adjust the gap between cabinet top and door (should be parallel), loosen screw 3 and 4 of top, middle and bottom hinge by turning screws in anticlockwise direction. Adjust the gap between cabinet top and top edge of the door. Once adjusted, tighten the screw 3 and 4 by turning





**Bedford[™]
Furniture**



Bedford Furniture Employee – Nick Fuller

Bedford Furniture is part of the Bedford Group. Bedford is a South Australian not-for-profit organisation dedicated to enhancing the lives of people with a disability or disadvantage through employment, training, residential services and life-skills.



Bedford[™]

615 Goodwood Road, Panorama SA 5041
PO Box 18 Melrose Park SA 5039

Telephone: 1800 822 823, Fax: (08) 8460 0009
Email: furniture@bedfordgroup.com.au

www.bedfordgroup.com.au