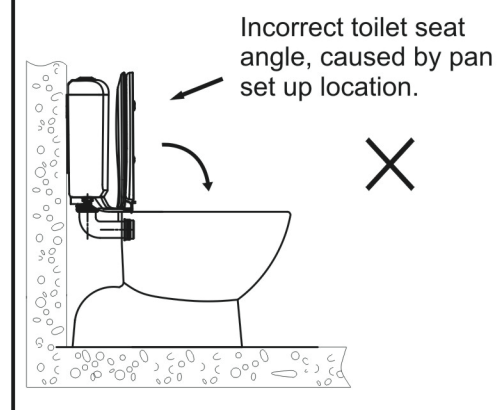
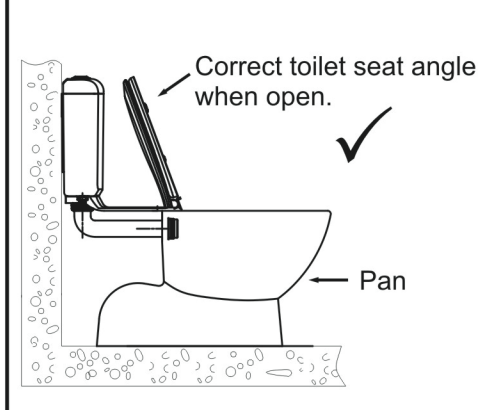
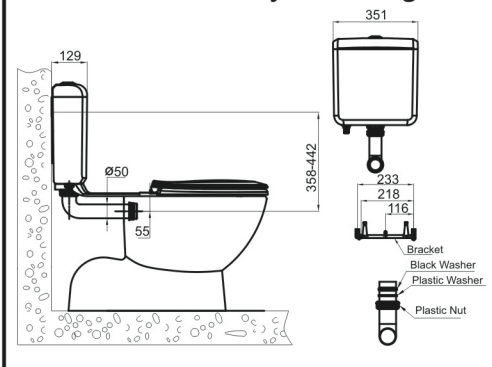


# ESTILO®

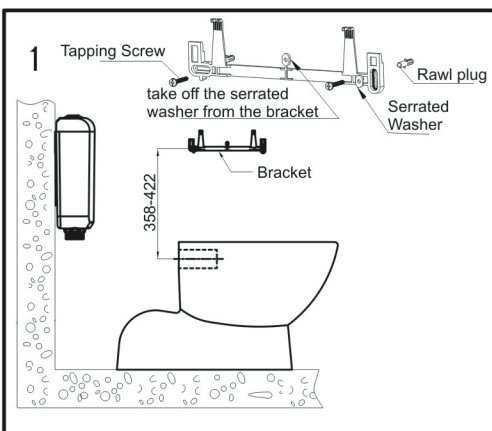
## PLUMBERS INSTALLATION GUIDE REPLACEMENT CISTERN WITH SEAT

### General Assembly Drawing

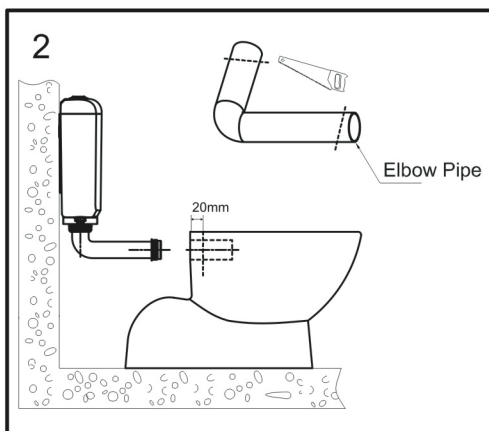


When working out the set out for the pan, ensure that the toilet seat will have enough angle to stop it from self-closing as pictured above.

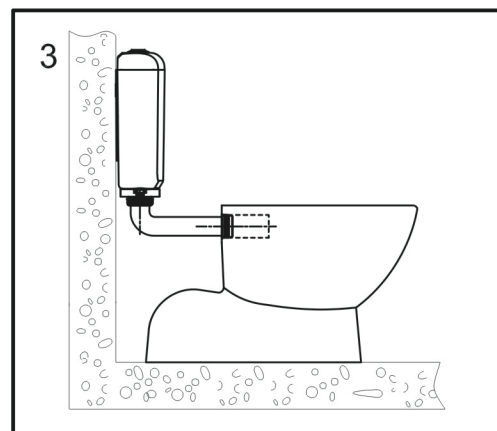
Incorrect pan set out distance - This will cause the seat to self-close if installed as pictured above. Note - Ensure that the pan is set out correctly so that the seat will stay up.



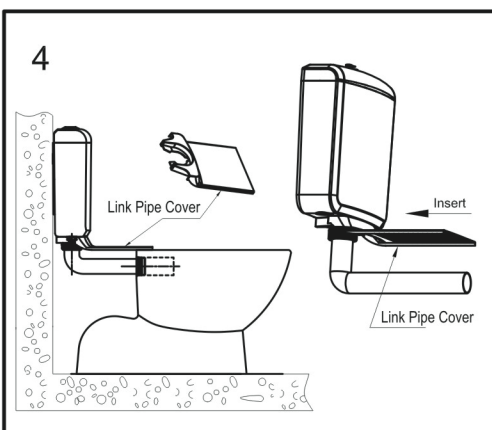
Hang the bracket on the wall. Note - Take caution when selecting the area to be drilled as water pipes or other hazardous objects may be present in wall.



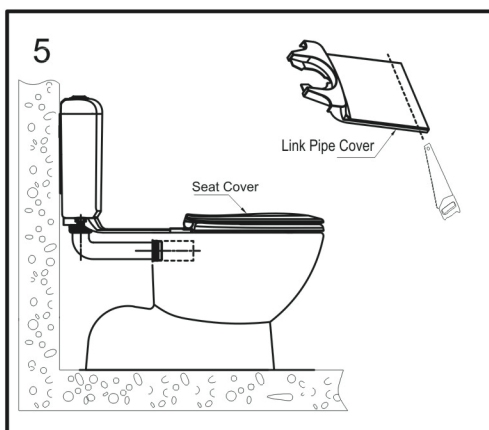
Cut the elbow pipe to size before connecting it to the WC pan connector. Note - Use a fine tooth hand saw/hacksaw to make the cut, ensure there is a 20mm minimum connection into the pan.



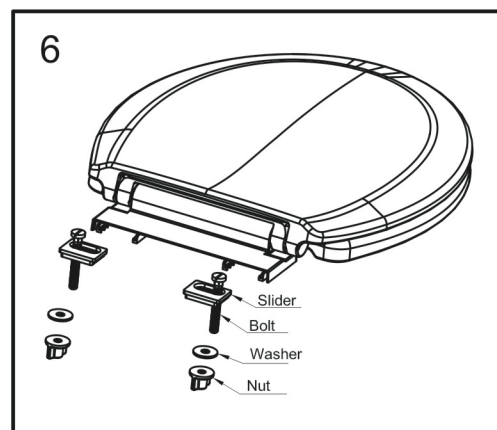
Securely connect the WC pan with the elbow pipe.



Install the link pipe cover on the cistern.



Measure and mark the area to be cut from the link pipe cover by loosely installing the toilet seat into the pan. Remove both items and make the cut with a fine tooth hand saw/hacksaw. Note - Use the cut lines on the back of the link pipe cover to ensure you achieve a straight cut. Reinstall the link pipe cover.



Reinstall the toilet seat onto the WC pan and tighten into position.