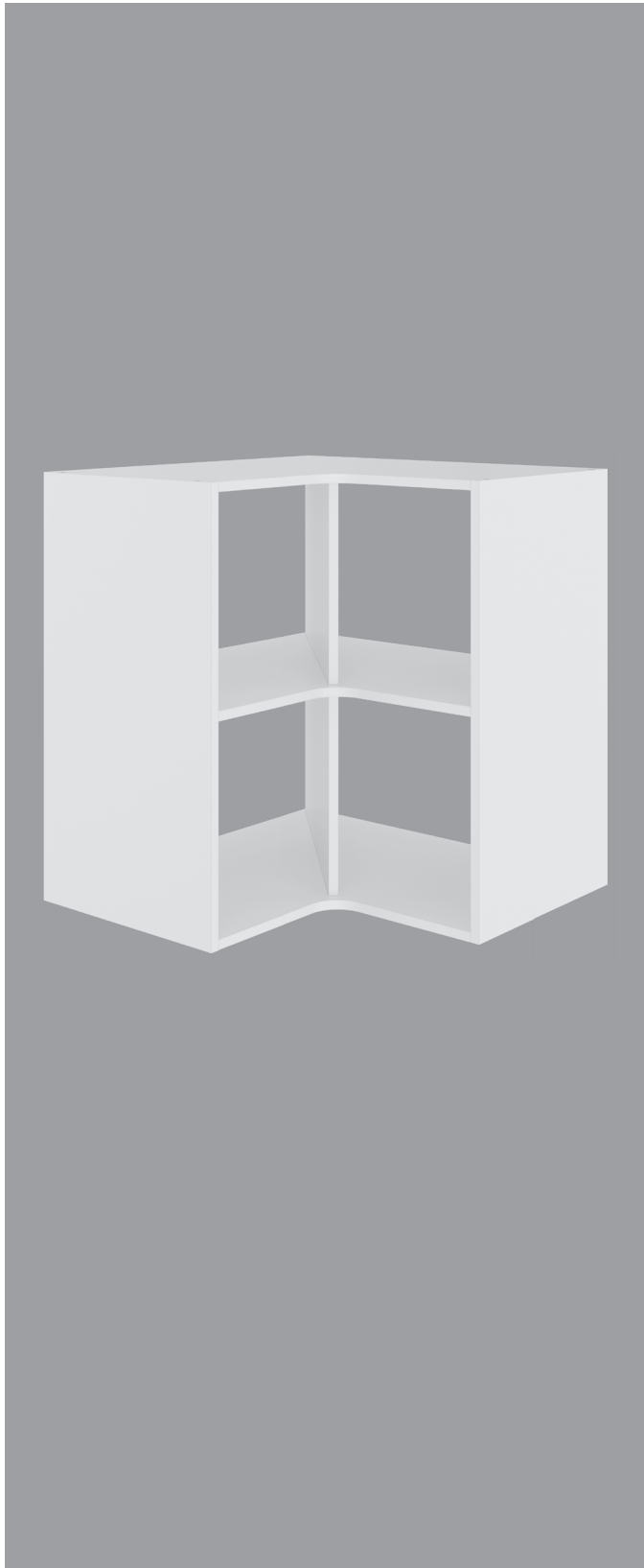


LUGNA

FORM & FUNCTION



ASSEMBLY INSTRUCTIONS

Cube Corner Unit 2x2

HEIGHT 720mm	WIDTH 682mm	DEPTH 390mm
-----------------	----------------	----------------

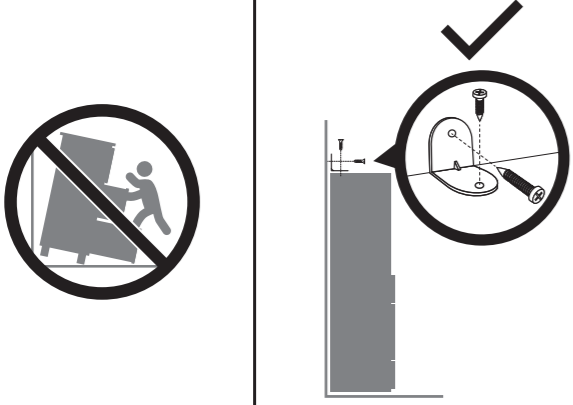
LUGNA understands the importance of timeless style and practical durability for a home's form and function. Our European-inspired collection is simple and easy to use, with five modern colours that complement any style and space. LUGNA's modular system allows for endless configurations and additions, with various-sized cabinets, drawers, shelving, and hinged doors that can be combined to create a bespoke look on any budget. Whether you're looking for something modern and sleek or classic and elegant, LUGNA has something for everyone.



SCAN for
more info




⚠ WARNING

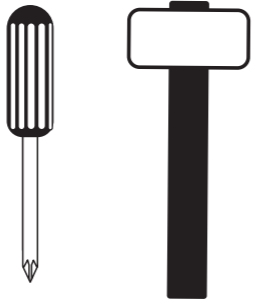


Children have died from furniture tipover.

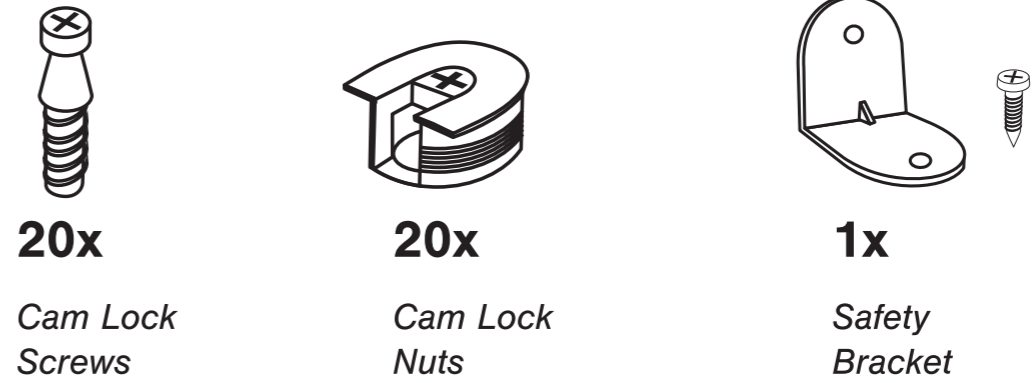
- ALWAYS secure this furniture with an anchor device.
- NEVER allow children to stand, climb or hang on drawers, doors or shelves.
- Never open more than one drawer at a time.
- Place heavy items down low.

NEVER put a TV on this furniture. 

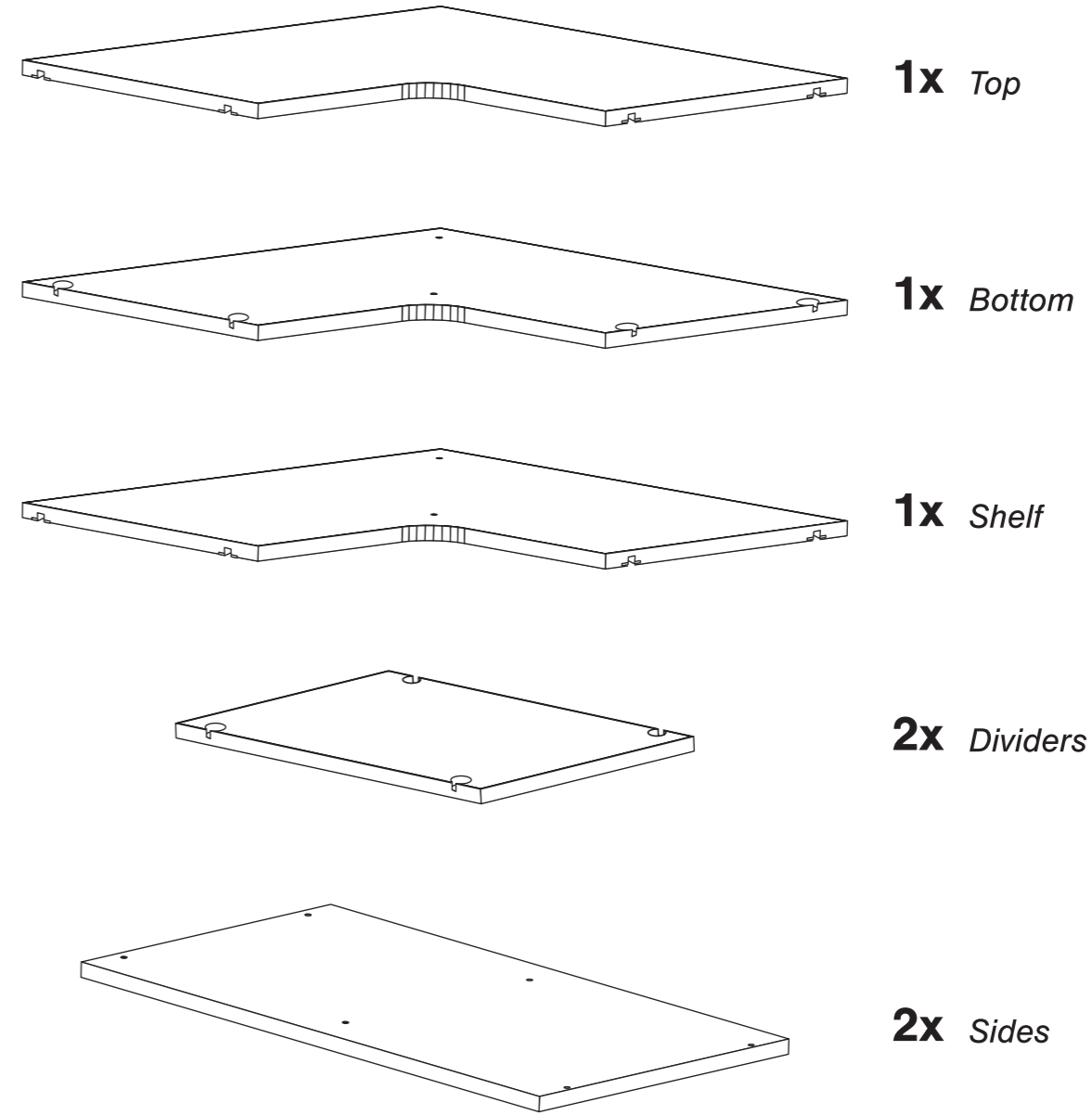
What you will need



Includes



Serious injury or death can be caused by toppling furniture. Attach this unit to the wall using the safety bracket anchor device provided. Fix bracket to the middle of the unit with 16mm screw (provided) and use a suitable wall fixing (not supplied) to fix L-bracket to wall.



STEP 1

1x Top Panel

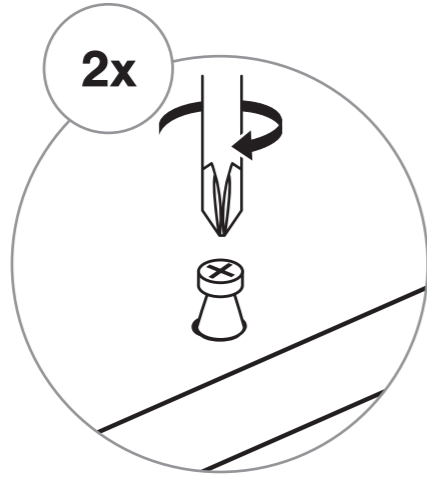


2x

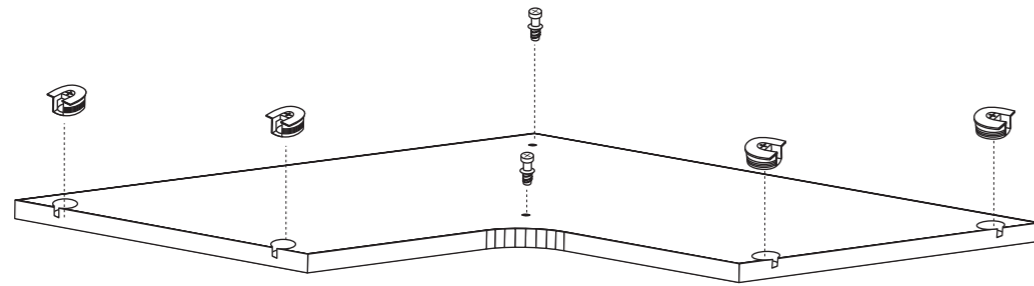
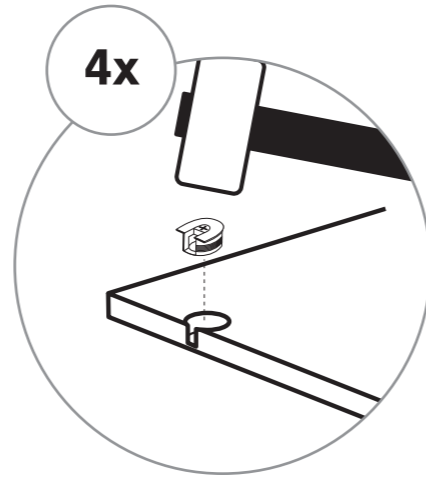


4x

2x



4x



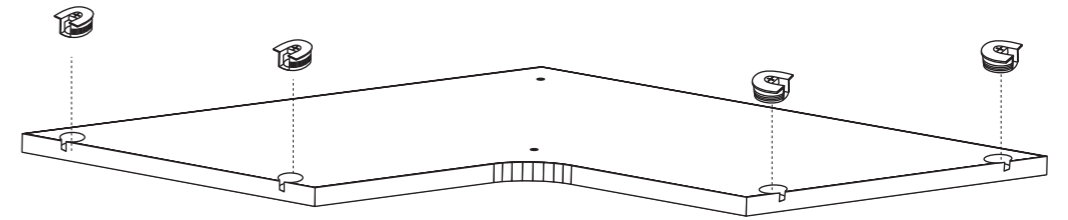
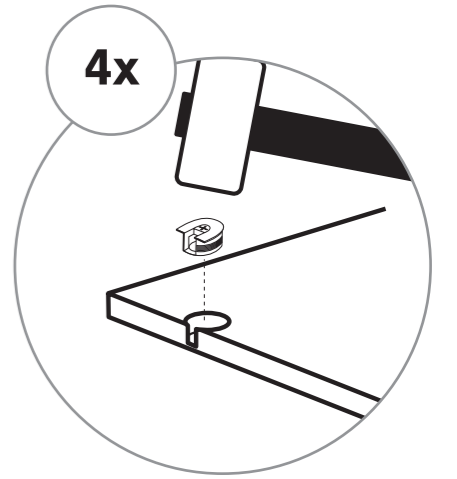
STEP 2

1x Bottom Panel



4x

4x

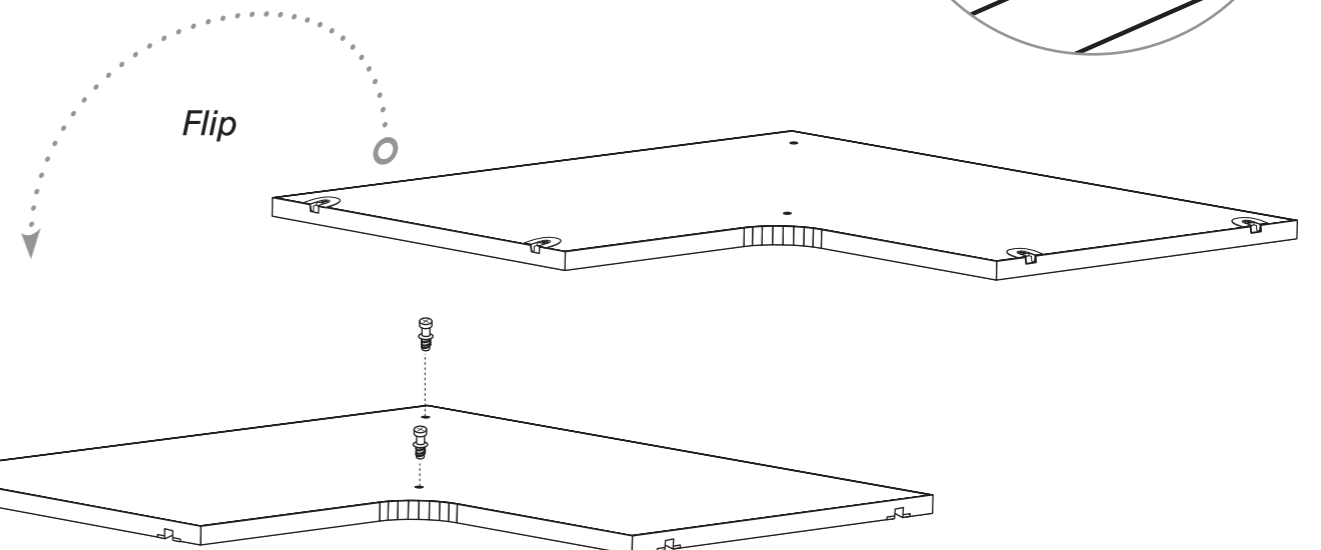
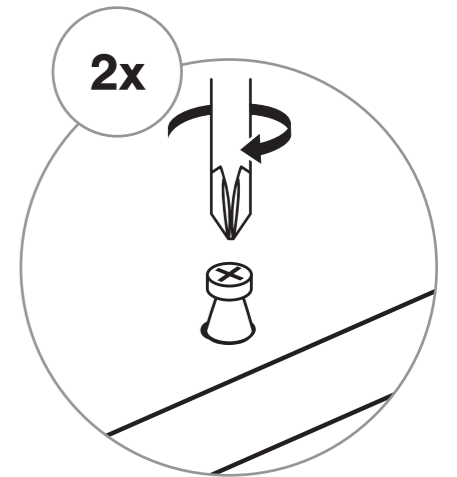


STEP 3



2x

2x



STEP 4

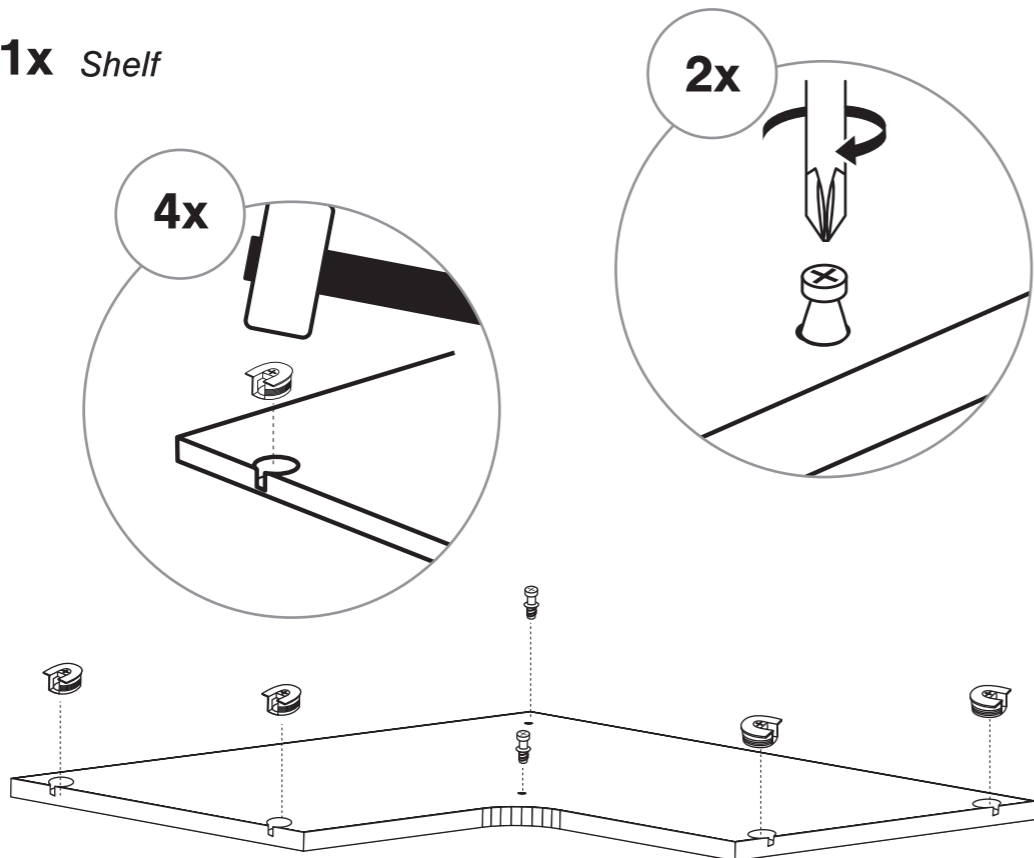
1x Shelf



2x



4x



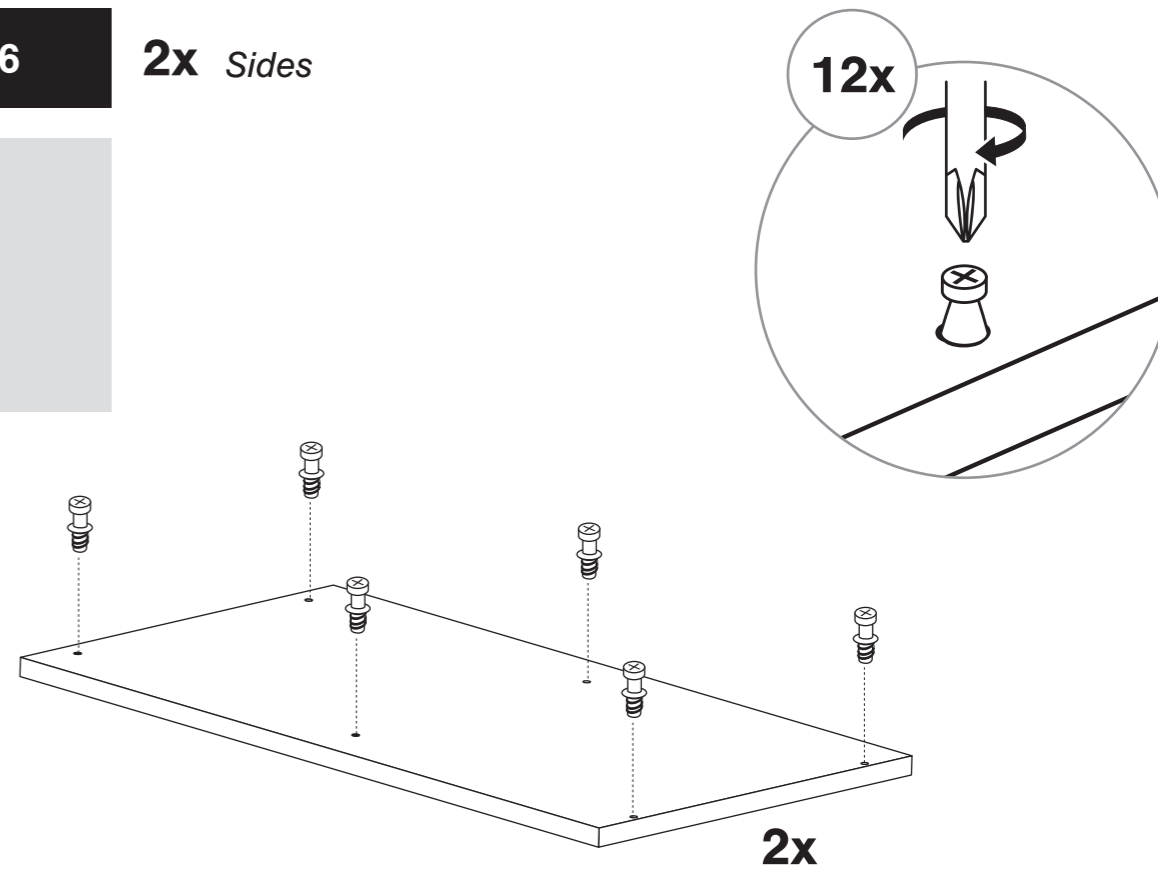
STEP 6

2x Sides



12x

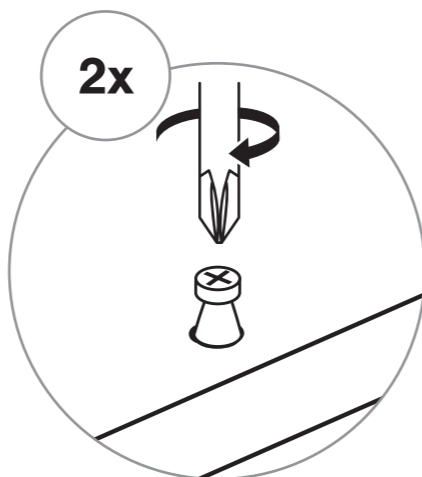
12x



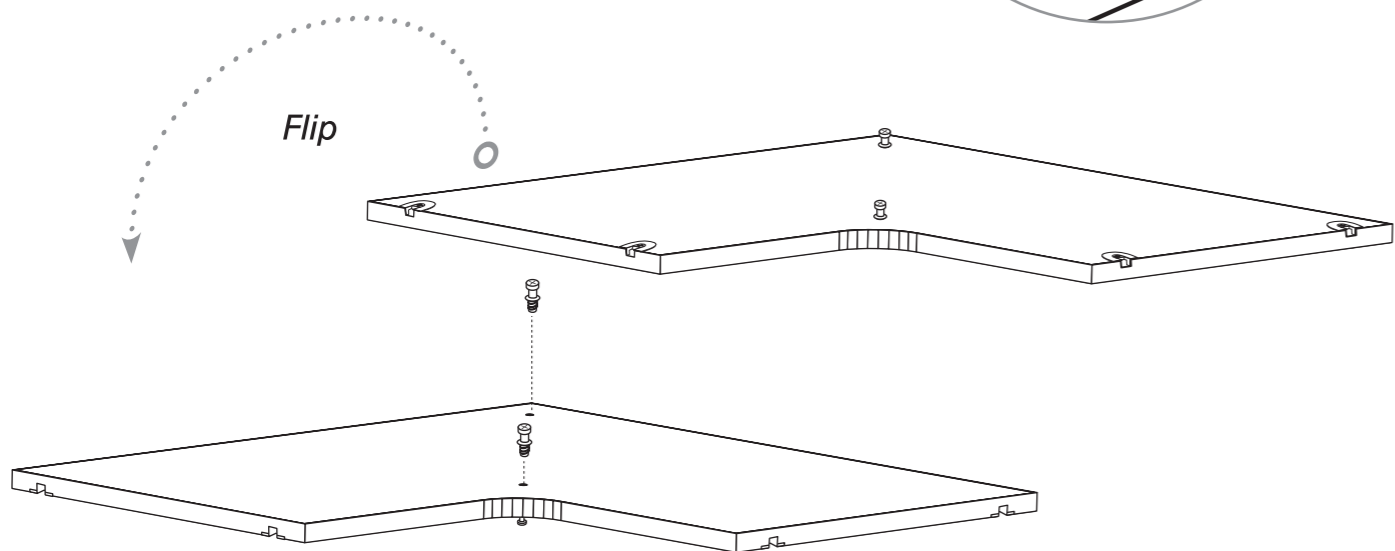
STEP 5



2x



2x



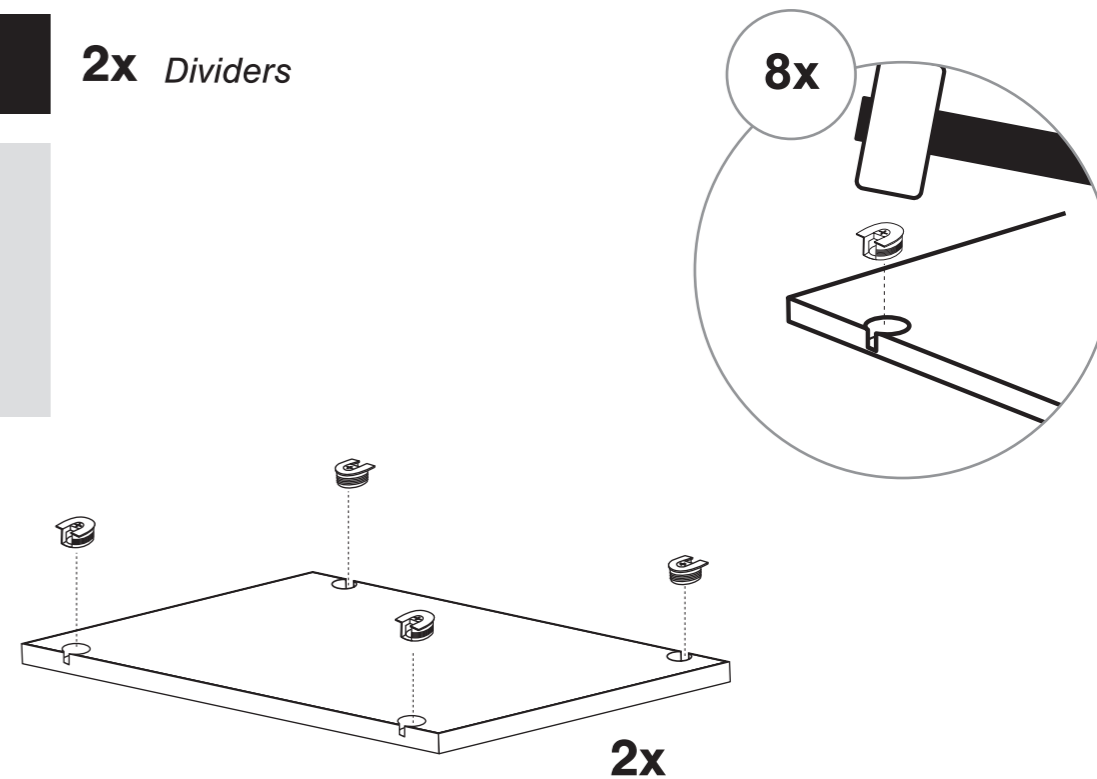
STEP 7

2x Dividers

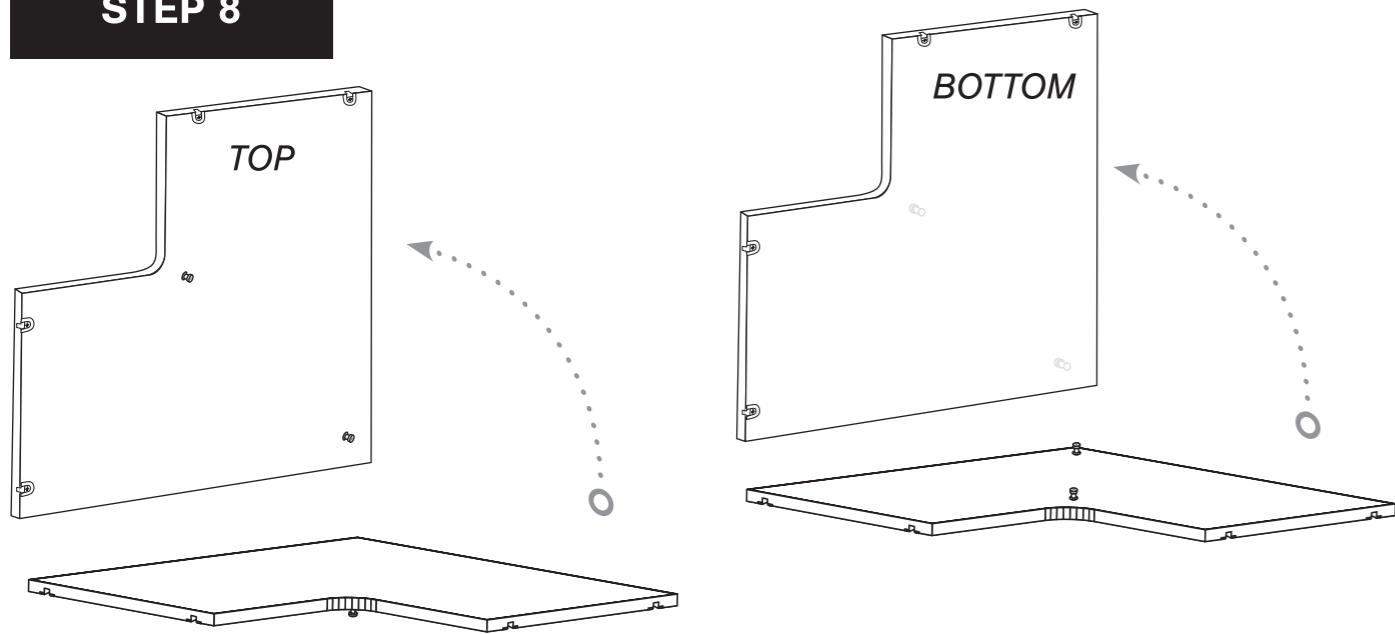


8x

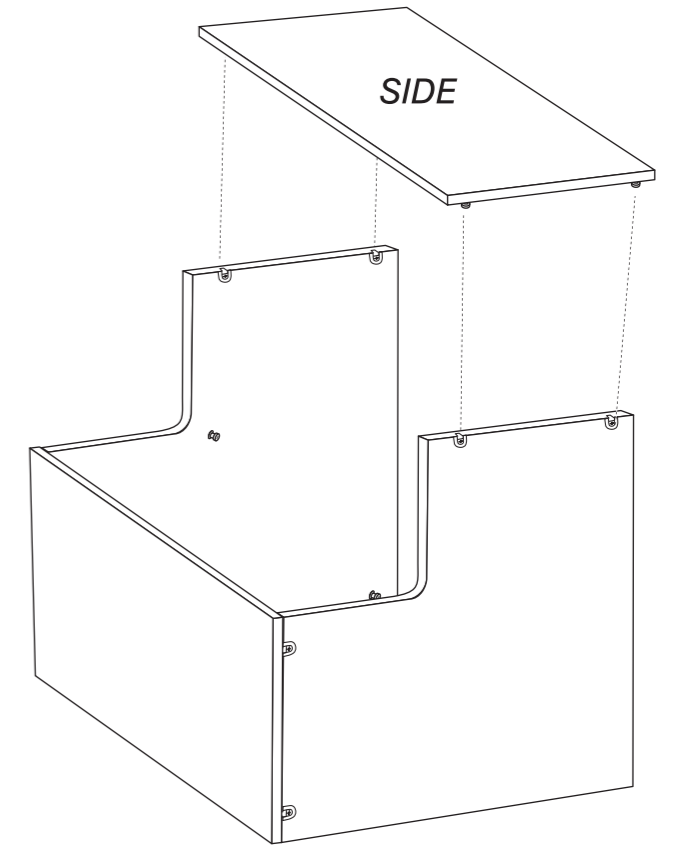
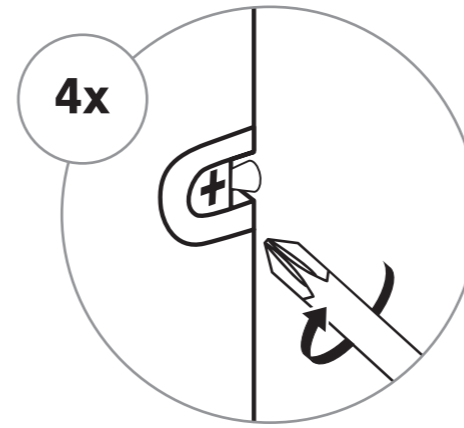
8x



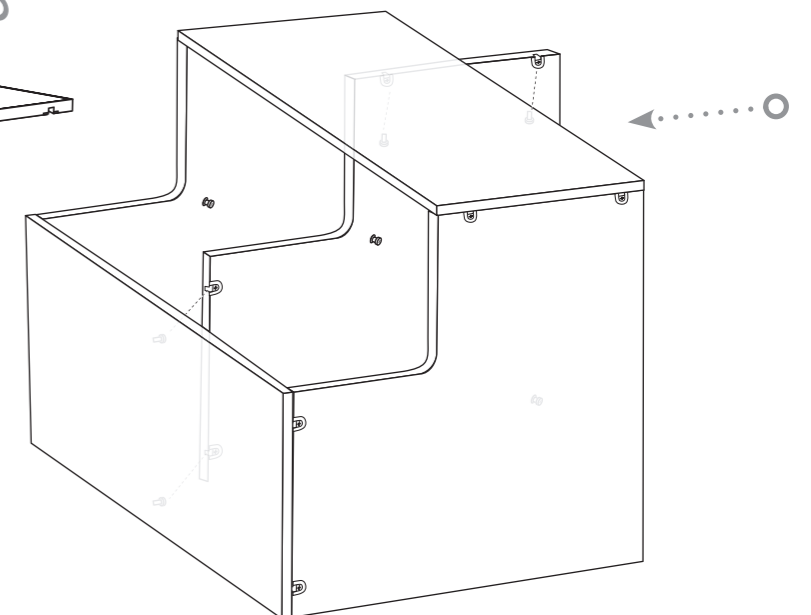
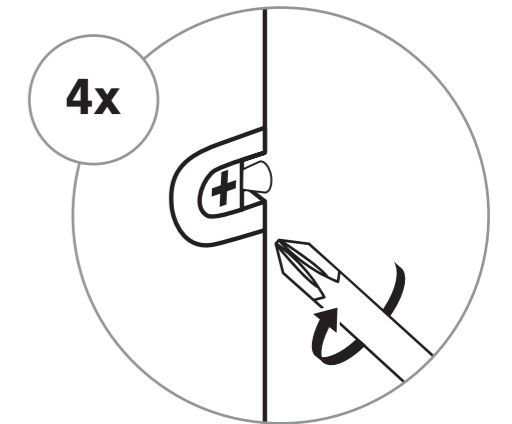
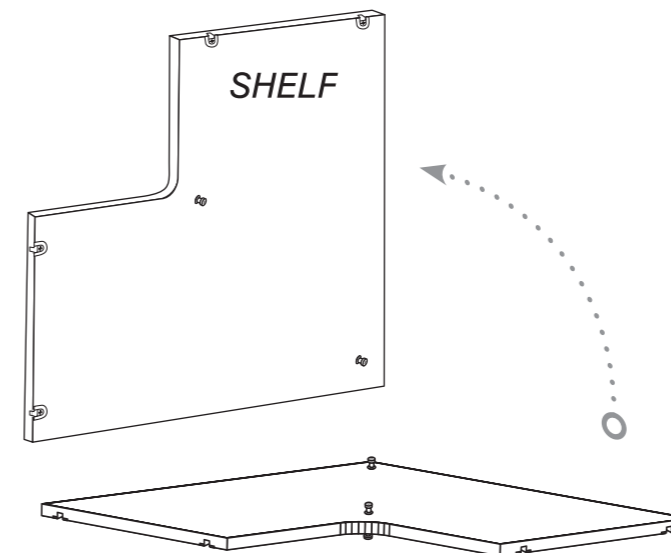
STEP 8



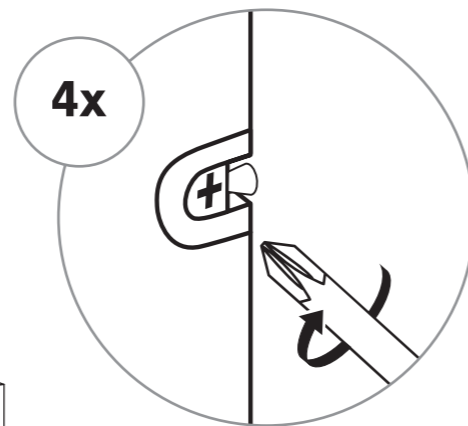
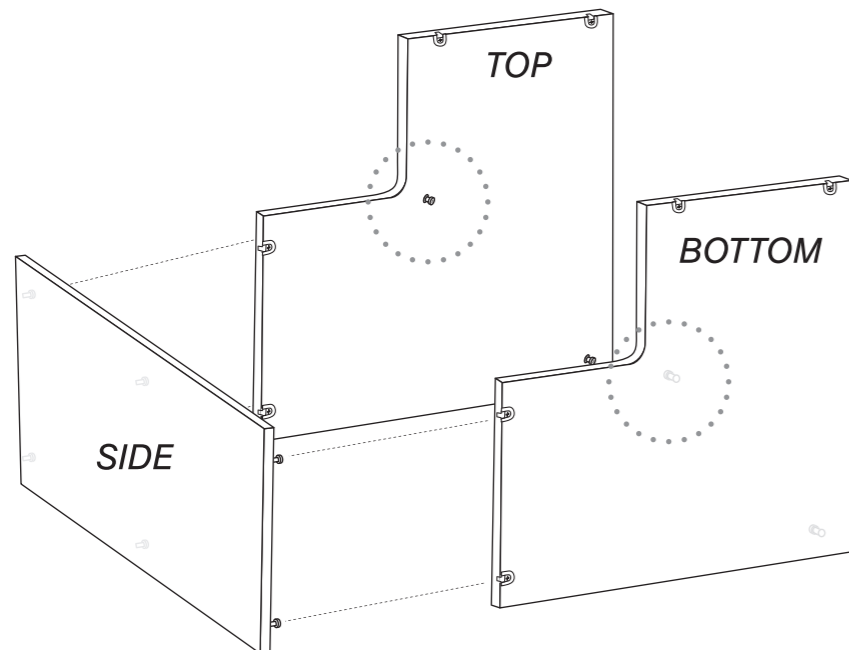
STEP 10



STEP 11 1x Shelf

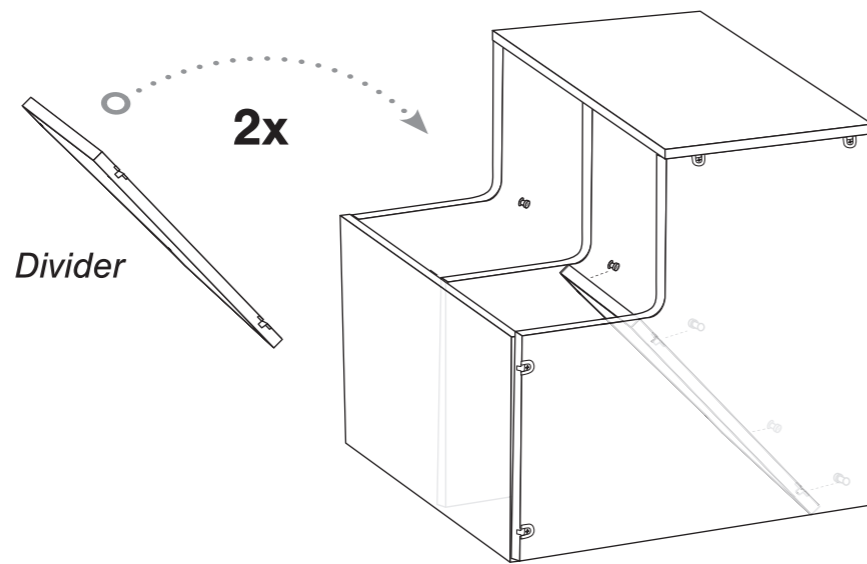
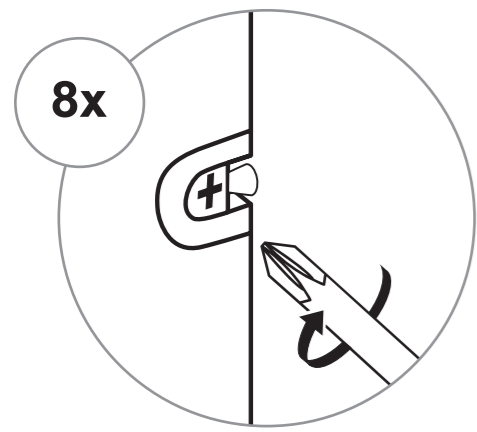


STEP 9



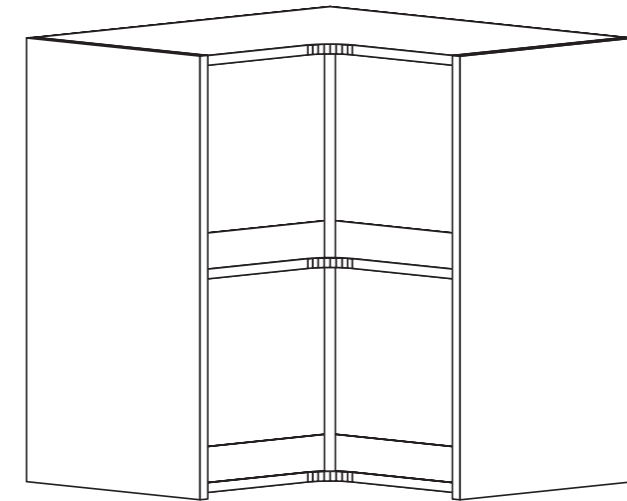
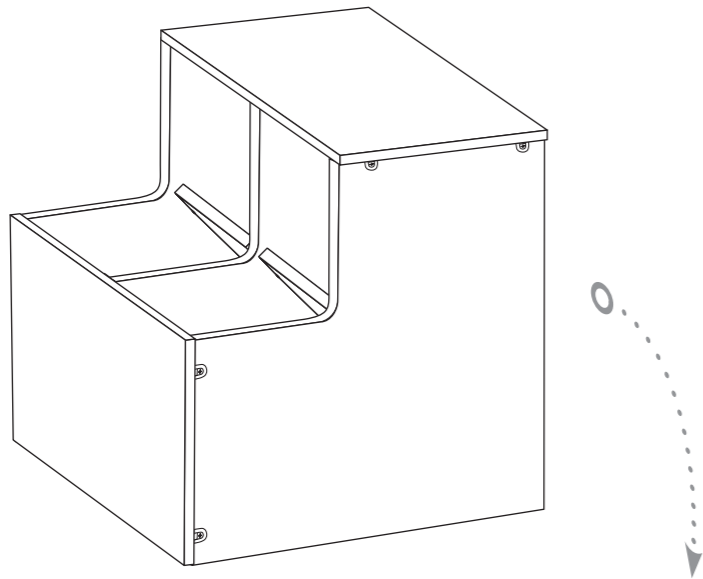
Note – the cam lock screws on the top and bottom panels should point to the inside of the cabinet.

STEP 12



STEP 13

Stand the cabinet upright.



The assembled cabinet will be heavy.
For your safety, a minimum of two people is recommended to lift the cabinet upright. Bend your knees and lift with your legs - not your back!

LUGNA

FORM & FUNCTION

C A B I N E T C A R E I N S T R U C T I O N S

Everyday care for your cabinets:

Liquid spills should be cleaned up as they occur. Liquids and other damp objects, i.e. towels, will eventually cause permanent damage should they be left unattended.

Everyday clean-up of cabinets can be done with a damp cloth and a dry cloth. Ensure you use a clean cloth every time when wiping down your cabinets, as foreign dirt, grease, and oils may inadvertently be transferred to the surface.

Cleaning melamine products:

Oils, grease, and other soils that do not respond to water can be removed with a solution of mild soap and water. The surface should be rinsed immediately with a clean, damp cloth and dried thoroughly with a soft cloth to avoid streaking or moisture seeping into the seams around the edges.

PLEASE NOTE: Never use abrasive cleaners, ammonia, bleaching agents, scouring pads or powdered cleaners on any type of cabinetry.

Cleaning cabinet hardware:

Brass and Silver cleaners are not recommended for cleaning handles. Some of these cleaning solutions contain harsh chemicals that may damage the finish on your handles.

Wash your hardware with a solution of warm water and a small amount of mild dish detergent. Dry your hardware and areas around the cleaned area immediately.

Hinges can be cleaned with a dry cloth or cotton-tipped swab.