

# Residential Natural Ventilator

## *Installation Manual*

(WindMaster, SupaVent, TurboBeam and TurboVentura)

## Warnings and Important Notices

### **WARNING:**

***Do not proceed with the installation until you have read the entire instruction manual, including these warnings.***

***The product warranty does not cover defects to the ventilators caused by faulty installation or modification without the authorisation of Bradford Ventilation.***

### **INSTALL AT YOUR OWN RISK**

The installation of this product may be dangerous and includes the potential risk of death, personal injury or property damage. Please be aware of the following before installing this product.

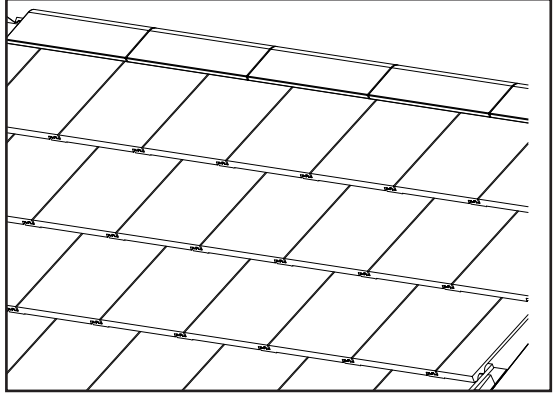
- Follow any State or Territory, Regulator or OH&S guidelines for working at height (e.g. roof work), electrical, working in confined space.
- Installation may require working at height and should only be undertaken with the correct safety equipment.
- Do NOT attempt to install this product if it is not safe to do so.
- It is recommended that appropriate cut resistant gloves and safety glasses be worn whilst handling these products and during installation.
- **WARNING:** Before commencing the installation always check roofing and other building material for the presence of asbestos prior to cutting. If asbestos is present or the type of material is unable to be determined, do not proceed with the installation and seek expert advice.

## Installation - Tiled Roof

### STEP 1

Select a suitable position along the roof that has no obstructions below the tiles (such as a rafter or cross brace).

**IMPORTANT:** It is recommended that the ventilator be installed along the 3rd or 4th row of tiles from the ridge. Lower positions will return lower vent performance and increase the risk of leakage in heavy rain.

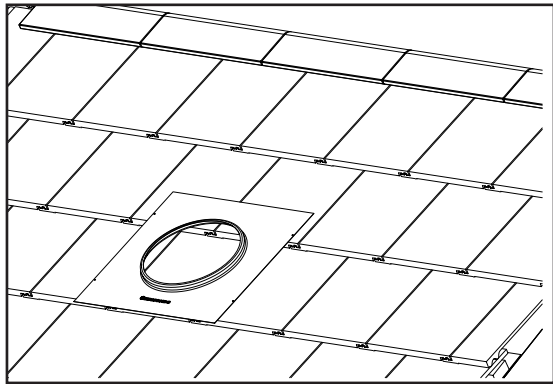


The installation higher than the third row of tiles down from the ridge may damage the ridge tile pointing and is NOT recommended.

### STEP 2

Position the flashing in the desired location so that the tiles that need to be cut or removed can be determined. Ensure bottom edge of the flashing passes the lower tile edge which will be folded later to form a seal.

Mark-out the position to either remove and/or cut the required tiles.

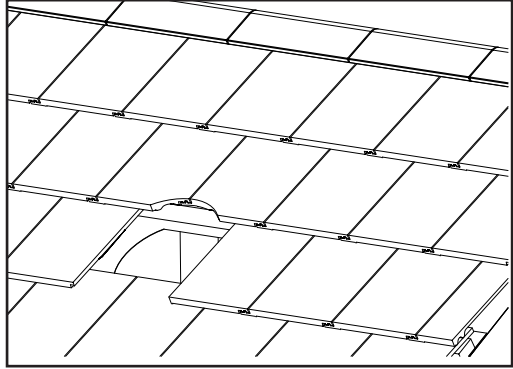


Depending on roof construction, a tile batten may be obstructing the throat opening of the vent. This batten can be left in place with the ventilator sitting above it.

## Installation - Tiled Roof

### STEP 3

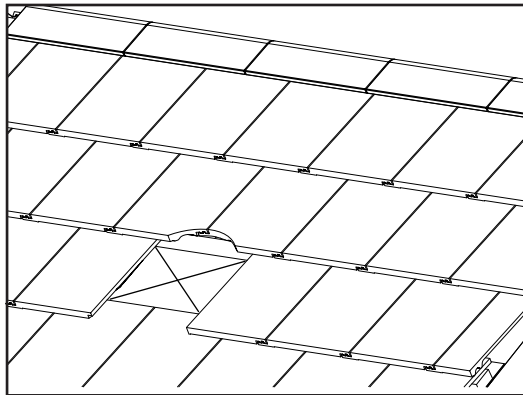
Cut the tiles marked earlier using a grinder being careful not to crack the tile.



### STEP 4

If the roof is sarked, cut sarking in a cross and fold back onto itself to give an opening to match the vent's throat diameter.

Tape the corners to the surrounding sarking with foil tape to prevent them fouling the ventilator.



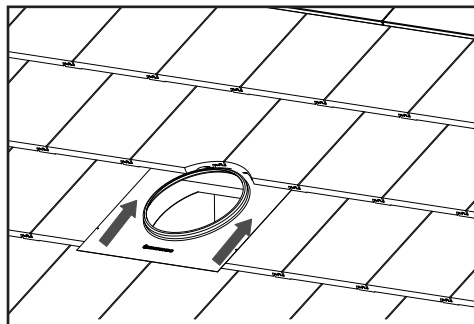
Folding the cut sarking flaps back on themselves results in a gutter arrangement that helps to prevent any water running down the sarking from entering through the opening.

## Installation - Tiled Roof

### STEP 5

Lift the higher row of tiles and using a piece of timber or similar to wedge to the tiles in the up position.

Return the flashing to the roof and place as per the initial markings made in step 2.

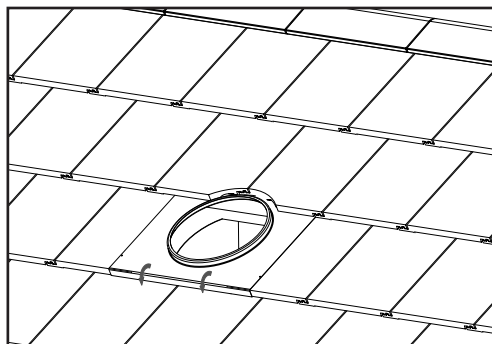


Take care to avoid unnecessary movement of the top row of tiles. Excessive movement of these tiles may damage the ridge tile pointing.

### STEP 6

Using a soft hammer, form the flashing to conform with the tile profile.

Position the varipitch temporarily onto flashing and make any final adjustments. Turn the bottom edge of the flashing over the lower tiles. Form the bottom edge of the flashing so that the higher tiles can be replaced with minimal gaps. Remove the varipitch for next steps.



For additional weather proofing, turn the top edge of the flashing upwards so that it seals against the tile above.

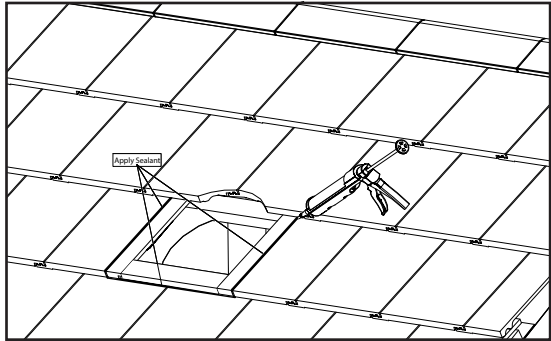
## Installation - Tiled Roof

### STEP 7

Lift or remove the formed flashing.

Using a weather resistant roofing silicone sealant, apply a 15-20mm wide bead of sealant around the perimeter of the flashing area.

Return the flashing to the tiles ensuring no gaps greater than 3mm are present. Seal any gaps along the front or side with additional sealant.



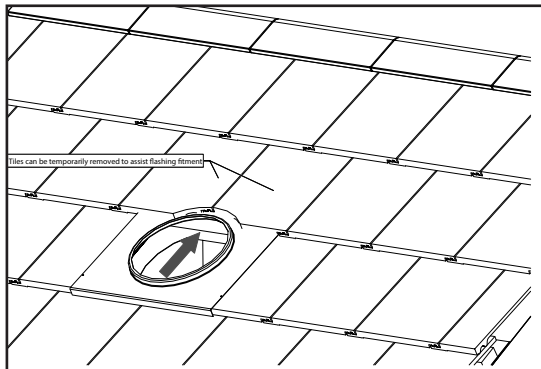
Ensure sufficient sealant applied in tile troughs. This helps prevent any water entering from adjacent tiles.

### STEP 8

Return the higher row of tiles to the flashing.

These should have been cut to provide a snug fit which still allows the throat of the ventilator to fit onto the flashing.

Adjust the flashing to get a good fit.

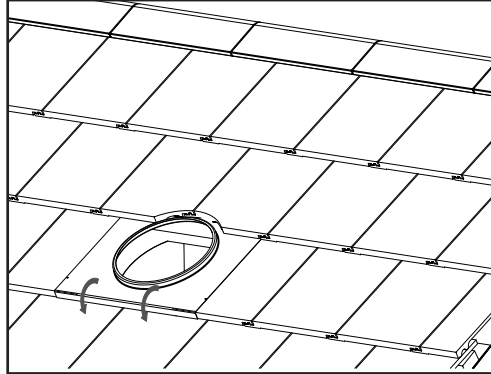


## Installation - Tiled Roof

### STEP 9

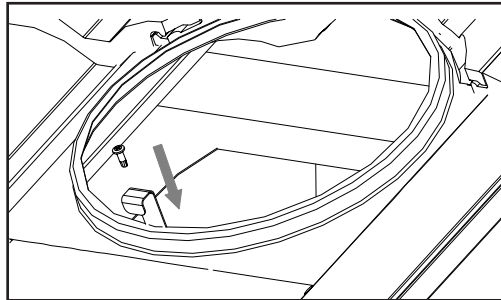
Seal the flashing to the higher row of tiles with roof silicone sealant.

Turn the bottom edge of the flashing over the lower tiles.



### STEP 10

Using a pair of pliers, fold one end of the fixing strap to match flashing up stand hob. Position over flashing and hold down whilst folding excess length of strap towards the lower row tile batten. Screw fix the strap to batten - refer to step 14.



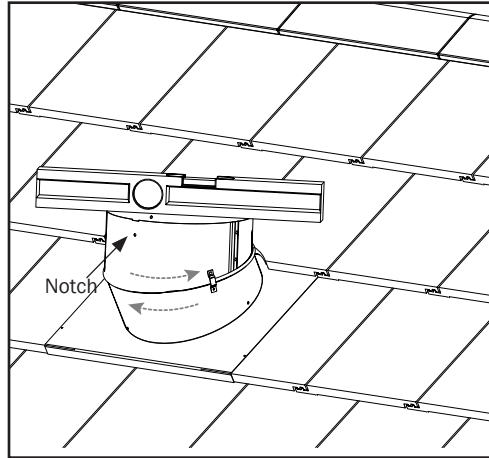
## Installation - Tiled Roof

### STEP 11

Position the varipitch over the flashing upstand.

Using a spirit level for guidance, rotate the two varipitch halves until the top of the varipitch is horizontal in all directions. Varipitch adjustments are best made off the flashing and then returned to check the position.

Ensure the varipitch is the correct way up by keeping the notched edge to the top.



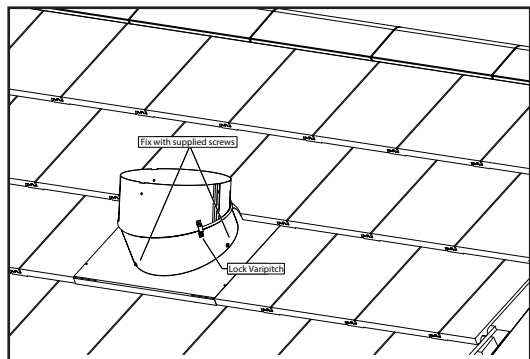
Ensure the top of the varipitch is horizontal relative to both the lateral axis across the roof and the longitudinal axis in-line with the roof pitch.

### STEP 12

Check the varipitch level again and ensure it is still level across all directions.

Screw the varipitch to the flashing with the three screws provided at the pre-drilled holes on the varipitch.

Lock the varipitch by screwing the fixing clip into the lower half with one of the screws provided.



Apply sealant internally to the varipitch seam.  
**Do not seal the varipitch to the flashing.**



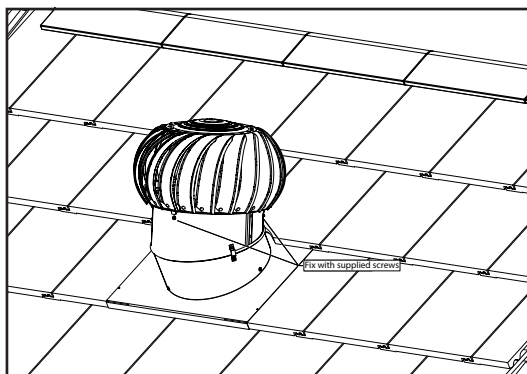
## Installation - Tiled Roof

### STEP 13

Position the ventilator top onto the top of the varipitch.

The three mounting points on the lower ring must align with the three notches on the varipitch.

Fix the ventilator top to the varipitch with the three screws provided through the pre-drilled holes.

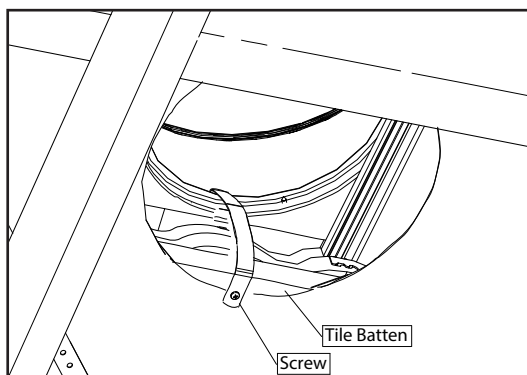


Ensure the mounting points are properly secured on the top and bottom ring of the varipitch.

### STEP 14

From within the roof space, take the fixing strap and bend it until it is in a position to be securely fixed to the lower tile batten.

Screw (not supplied) the fixing strap to the batten, this will prevent the lower part of the flashing lifting in heavy winds.



Turning the top edge of the flashing upwards allows it to act as a gutter to prevent any wind driven water from entering the roof space.

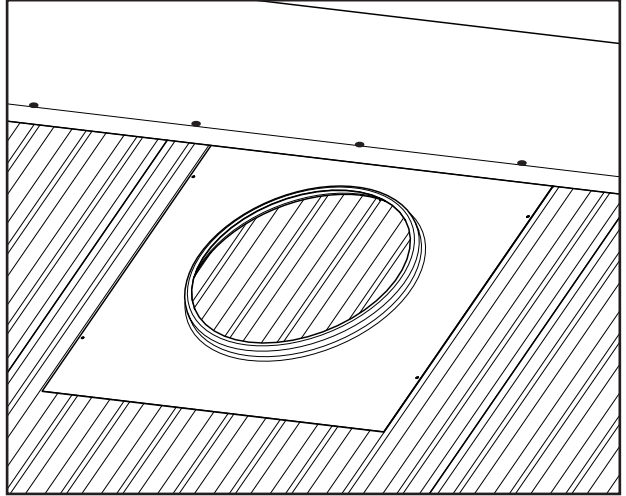
## Installation - Metal Roof

### STEP 1

Select a suitable position for the ventilator.

Slip the top edge of the flashing under the ridge cap and mark position.

The vents must be installed to the ridge cap. Any other installation requires a licensed plumber.

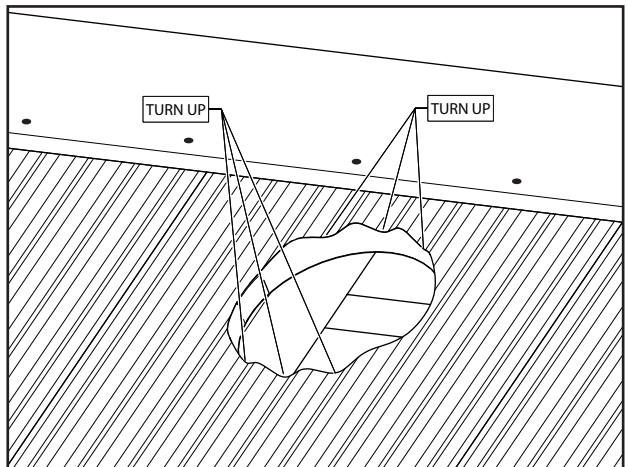


Ensure that the flashing covers the roof corrugations or ribs equally and that it is located between roof rafters.

### STEP 2

Remove the flashing and cut a square or round opening around the centre of the position marks.

Turn up the corrugations or pans on both the low and high sides. This will help to prevent water ingress.

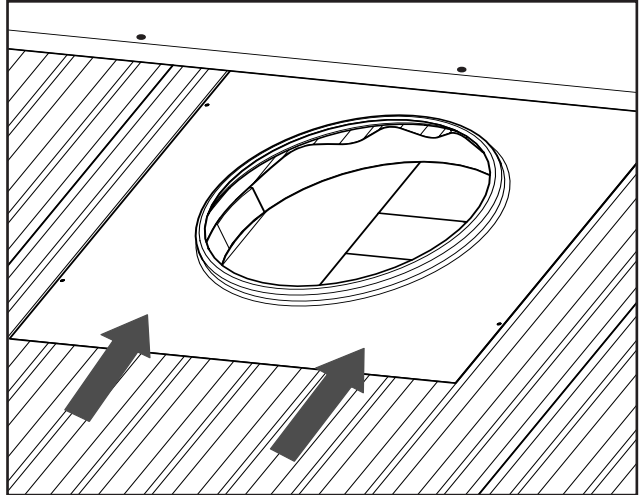


## Installation - Metal Roof

### STEP 3

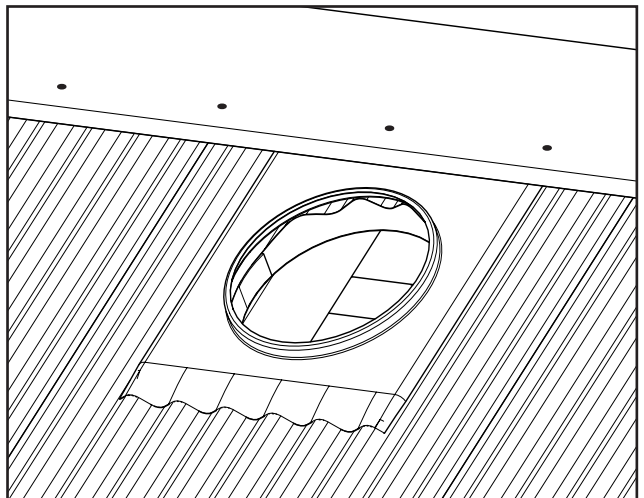
Return the flashing to the roof, positioning it over the cutout. Ensure that the top of the flashing is slipped under the ridge capping.

For lower pitched roofs, turn up the top edge of the flashing before slipping under ridge capping. This will help prevent water ingress.



### STEP 4

Using a soft rubber hammer, carefully work around the sides and lower edge of the flashing to form it into the corrugations of the metal sheeting profile.

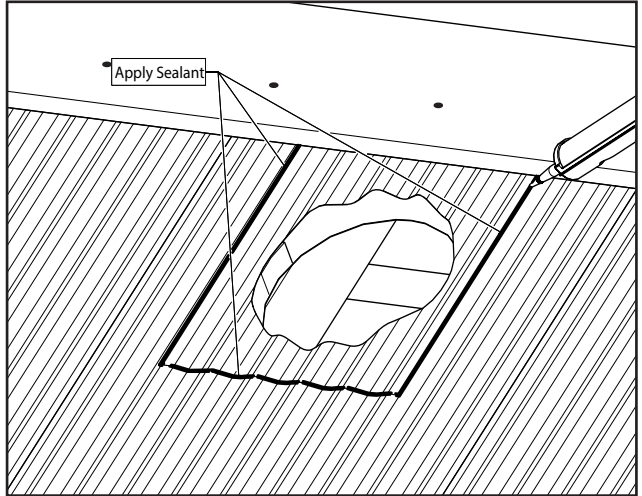


## Installation - Metal Roof

### STEP 5

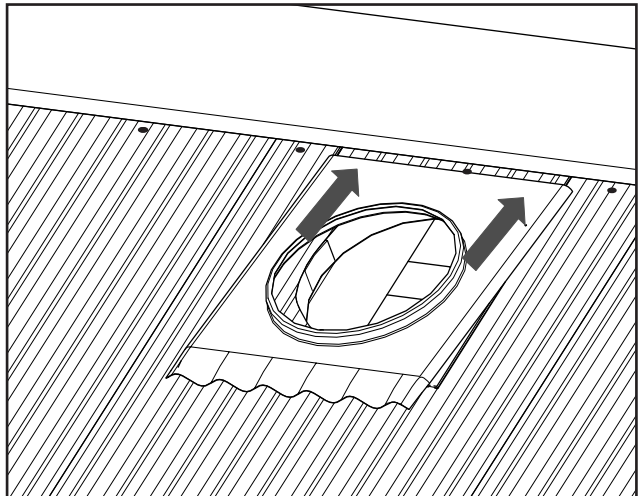
Lift the formed flashing off the roof sheeting.

Apply a bead of weather resistant roofing silicone sealant to the roof approximately 20mm in from the edge of the flashing.



### STEP 6

Return the flashing to the roof. Slide it under the ridge capping and press it down onto the roof silicone sealant.



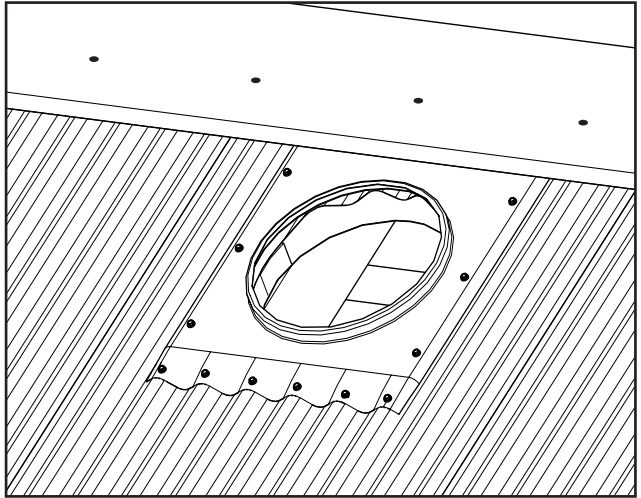
## Installation - Metal Roof

### STEP 7

Secure the flashing to the metal sheeting with 10G Tek screws or sealed rivets along the 3 exposed edges of the flashing.

Approximately 12 required (not supplied).

Ensure the flashing top edge is fixed via existing ridge capping screws. This prevents gaps forming due to thermal expansion and prevents ingress of rain or embers during a bushfire event.

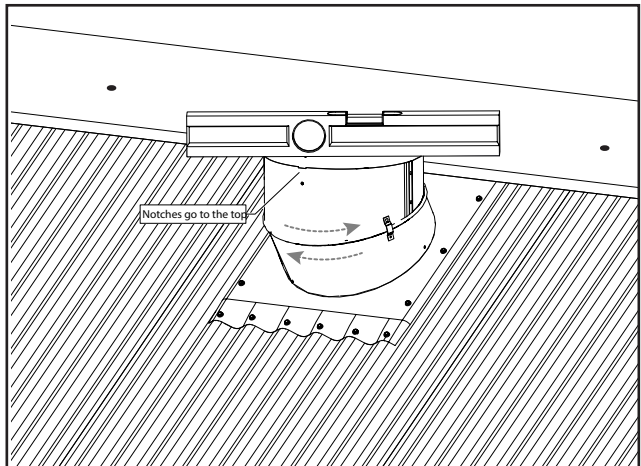


### STEP 8

Using a spirit level for guidance, rotate the two varipitch halves until the top of the varipitch is horizontal.

Varipitch adjustments are best made off the flashing and then returned to check the position.

Ensure the varipitch is the correct way up by keeping the notched edge to the top.



Take care to ensure the varipitch is level in all directions.

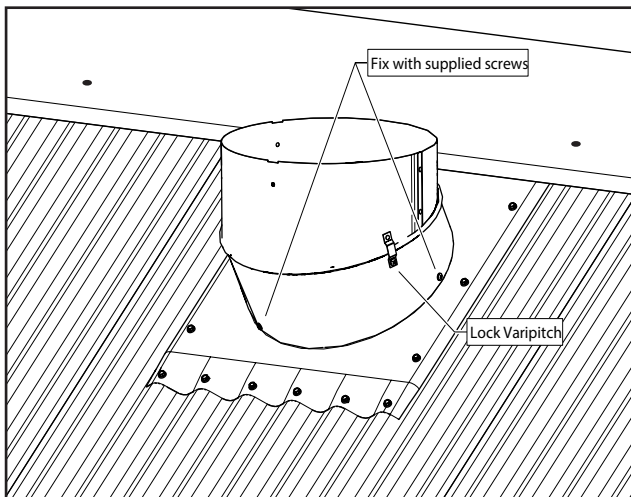
## Installation - Metal Roof

### STEP 9

Check the varipitch level again and ensure it is still level across all directions.

Screw the varipitch to the flashing with the three screws provided at the pre-drilled holes on the varipitch.

Lock the varipitch by screwing the fixing clip into the lower half with one of the screws provided.

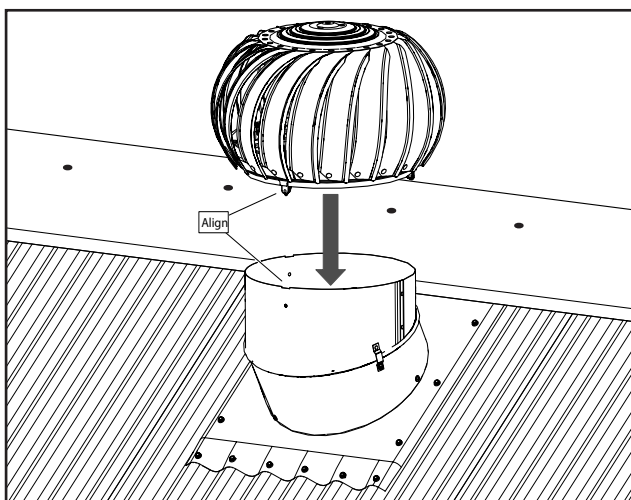


Apply sealant internally to the varipitch seam.  
**Do not seal the varipitch to the flashing.**

### STEP 10

Position the ventilator top onto the top of the varipitch.

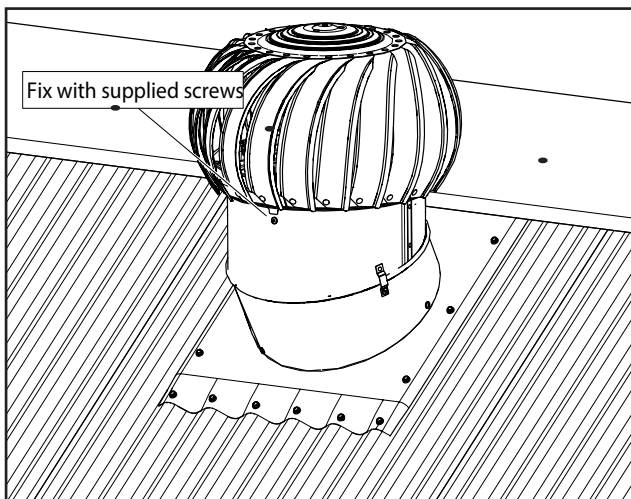
The three mounting points on the lower ring align with the three notches on the varipitch.



## Installation - Metal Roof

### STEP 11

Fix the ventilator top to the varipitch with the three screws provided through the pre-drilled holes.



[bradfordventilation.com.au](http://bradfordventilation.com.au)

