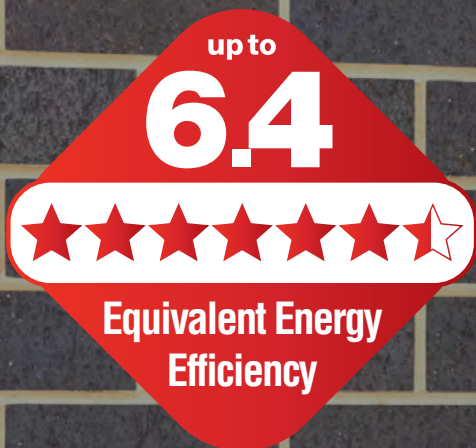


# OUR **NEW** 26L MODEL IS A **STAND OUT** PERFORMER



The new 26L model offers outstanding energy efficiency and compatibility with 6 star tapware.

This makes them a great choice for Australian homes.



▶ ALWAYS HOT

# HIGHLY ENERGY EFFICIENT CONTINUOUS FLOW

Never run out of hot water again with a Dux Always Hot continuous flow. They are compact in size, highly energy efficient and are backed by a 12 year heat exchanger warranty.

The non-condensing range is available in four different capacities, ensuring there's a model to suit every family.

- Up to 6.4 star equivalent energy efficiency\*
- The 26L model suits connection to water saving tapware
- Available in pre-set 50°C and temperature unlocked models
- Status display monitors on 26L/min and 32L/min models
- 26L/min model fits into current major competitor recess boxes
- Superior technology straight from Noritz, a leading manufacturer of continuous flow water heaters
- Natural gas and LPG models available
- Optional accessories include, temperature controllers, recess boxes, pipe covers, flue diverters and an anti-theft bracket
- 12 year heat exchanger warranty, including 3 years parts and labour#

SIZING	17L/min	21L/min	26L/min	32L/min
No. of Outlets	2	2-3	3	4

SPECIFICATIONS	17L/min	21L/min	26L/min	32L/min
Model Number - Pre-set 50°C Models	17ENB5N / 17ENB5L	21ENB5N / 21ENB5L	26ENG5N / 26ENG5L	32END5N / 32END5L
Model Number - Temperature Unlocked	17ENB6N / 17ENB6L	21ENB6N / 21ENB6L	26ENG6N / 26ENG6L	32END6N / 32END6L
Star Rating*	6.0	6.1	6.4	5.8
Min. Operating Flow Rate (L/min)	2.5	2.5	1.5	2.0
Gas Consumption MJ/h - NG / LPG	126 / 127	159 / 159	195 / 195	250 / 250
Weight (kg)	14	15	16	30
Min. Water Supply Pressure (kPa)	200	200	200	200
Max. Water Supply Pressure (kPa)	1000	1000	1000	1000
Gas & Water Supply Connection	20mm ¾"	20mm ¾"	20mm ¾"	20mm ¾"
Max. Temperature Pre-set 50°C Models† (°C)	50	50	50	50
Max. Temperature Unlocked Models‡ (°C)	60	60	70	75

DIMENSIONS (MM)	17L/min	21L/min	26L/min	32L/min
<b>A</b> Width	350	350	350	464
<b>B</b> Depth	170	170	170	240
<b>C</b> Height - Unit	520	520	520	615
<b>D</b> Height - Including Brackets	575	575	575	678
<b>E</b> Hot Water Outlet	40	40	71	70
<b>F</b> Cold Water Inlet	80	80	55	140
<b>G</b> Gas Inlet	40	40	62	87
Gas Inlet Length	50	50	44	51
<b>H</b> Cold Inlet Length	48	48	53	55
Hot Outlet Length	45	45	45	44
<b>I</b> Hot Water Outlet	37	37	64	60
<b>J</b> Cold Water Inlet	139	139	179	244
<b>K</b> Gas Inlet	296	296	252	361

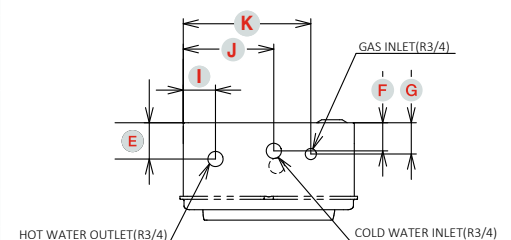
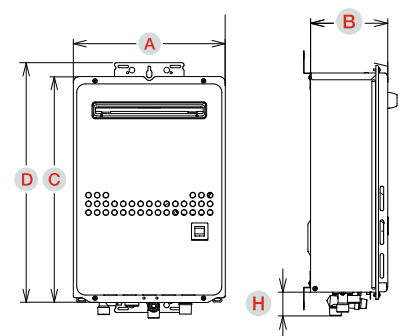


## IDEAL FOR RETROFITS

The 26L/min model features water and gas connections in identical locations to those found on current major competitor 26L models.



The top and bottom mounting brackets may also align with current key major competitor models to allow existing mounting points to be reused.



#Warranty terms and conditions are in the Owner's Manual. A 12 year heat exchanger and 3 years parts and labour warranty applies for single family dwellings (without recirculation). \*17ENB models are rated 6.0 stars. 21ENB models are rated 6.1 stars. 26ENG models are rated 6.4 stars. 32END models are rated 5.8 stars. Relates to the equivalent star rating for the water heater. †The maximum temperature of the water heater can be increased by up to 4°C (in increments of 1°C). © 2022 Dux Manufacturing Limited ABN 19 077 879 844. Lackey Rd, PO Box 209 Moss Vale, NSW 2577. The information supplied was correct at time of printing. Specification and materials may change without notice. DUX is a registered trade mark of Dux Manufacturing Limited. 0822

