

ESTILO®

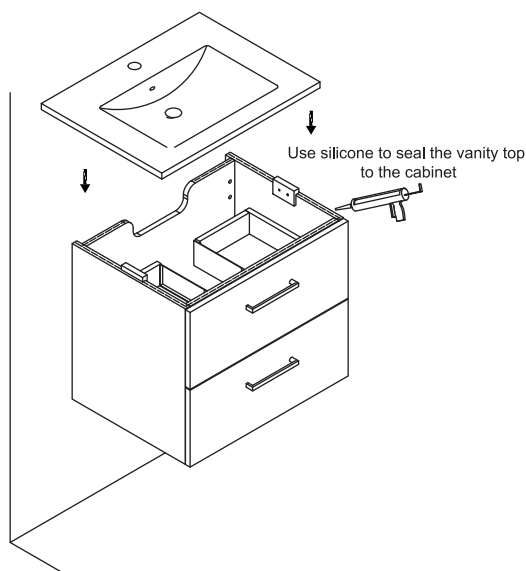
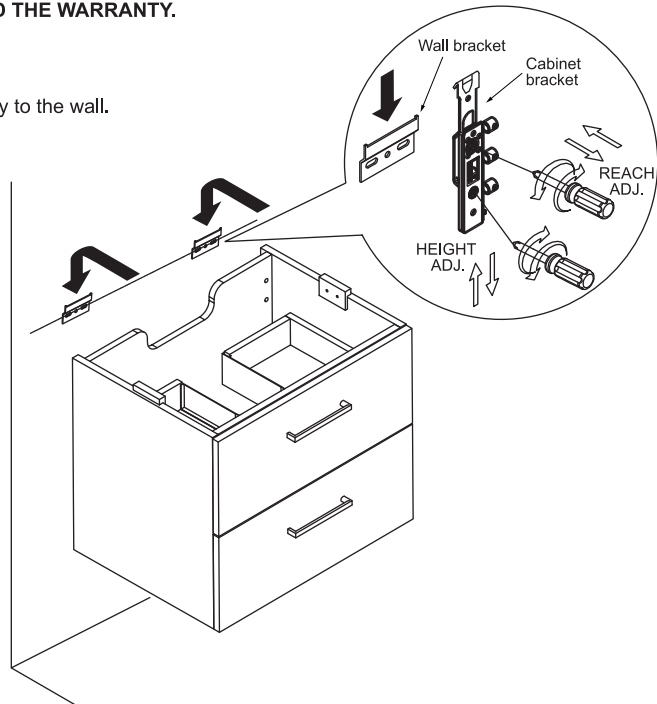
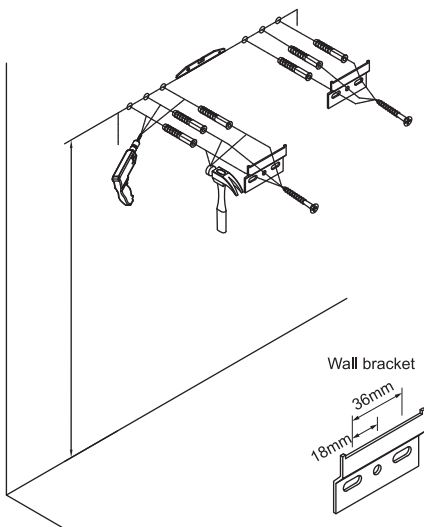
WALL HUNG VANITY WITH SMC TOP

IMPORTANT

- Please refer to the warranty card for any claims or exclusions to the warranty.
- Prior to installation, all parts and components should be thoroughly inspected for defects. This product will not be warranted if it has been installed with pre-existing defects.
- This product must be installed by a licensed tradesperson.
- All plumbing must be installed by a licensed plumber.
- Under no circumstances should vanities and/or basins be tiled into the wall.
- This product must not be installed in an area where it may be exposed to splashing water from a bath or shower.
- The included fixings are suitable for solid walls only. It is the installer's responsibility to ensure that the correct fixings are used to suit the wall type, and that the cabinet is mounted to a structure suitable to support the weight of the entire vanity unit.

INSTALLATION

1. Measure the locations that your plumbing will need to be transferred into the vanity unit.
2. Using a hole saw, drill holes to suit the size of the plumbing in the marked out locations.
3. Measure the height of the mounting holes to determine the desired height of the completed vanity unit, then mark a line on the wall. Measure the distance between the cabinet brackets (cabinet brackets are pre-installed onto the back of the cabinet) to determine the location to mount the wall brackets. Mark the drilling locations.
4. Using an appropriate drill bit (i.e. masonry bit for tiles), drill holes to suit the fixings, then secure the wall brackets to the wall.
5. Mount the cabinet to the wall ensuring the cabinet brackets hook into the wall brackets. Note: the cabinet brackets reach adjustment can be loosened from the inside of the cabinet to allow for easier mounting.
6. Tighten the cabinet brackets reach adjustment to secure it to the wall.
7. Adjust the height of the cabinet brackets individually to level the cabinet.
8. Install the vanity top onto the cabinet. Anti-fungal wet area silicone is recommended to support and seal the vanity top to the cabinet.
DO NOT USE EPOXY TYPE GLUES OR RESINS AS THIS WILL VOID THE WARRANTY.
9. Install the basin waste (sold separately) into the basin.
10. Connect the plumbing.
11. Check all connections for leaks.
12. We recommend applying anti-fungal wet area silicone to seal the vanity to the wall.



CARE & MAINTENANCE

- The cabinet is moisture resistant, not waterproof. Damage may occur if the cabinet is exposed to water for extended periods of time. Excess water should be wiped dry at the earliest opportunity. Ensure the bathroom has adequate ventilation to prevent moisture build up.
- Be mindful of sharp objects that may scratch or damage the surface. Do not tap objects such as shaving razors or toothbrushes etc., against the surface.
- Clean with a soft cloth and warm water or a mild detergent. Do not use abrasive cleaners or harsh chemicals. Ensure cabinet is adequately dried after cleaning. Avoid leaving toothpaste or other bathroom products' residues on the surface for extended periods.



Acids may cause irreversible damage. Acids are present in many common products, including but not limited to: soaps, coffee, cosmetics and harsh chemical cleaners or bleaches. Cups, bottles or cans could leave residues that will etch into the vanity top material and cannot be removed. Stains caused by acids are not covered by warranty.

Please retain these instructions for future reference.