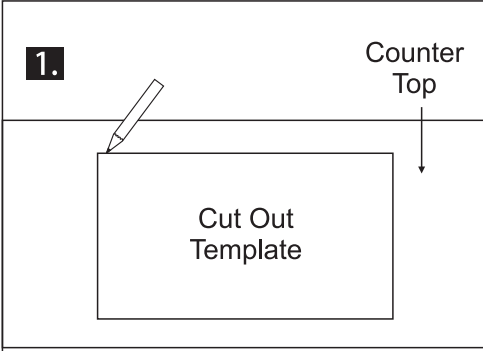


ESTILO®

STAINLESS STEEL TOP MOUNT SINKS

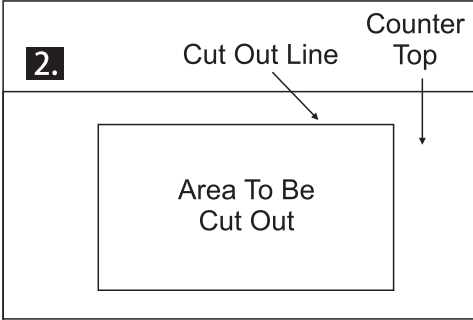
1. Counter Top



Cut Out Template

Place the cut out template into the desired sink location. Trace around the border of the template.

2. Counter Top



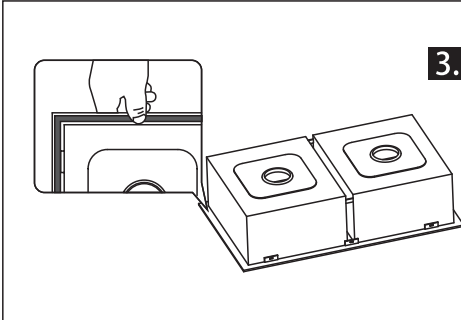
Cut Out Line

Area To Be Cut Out

NOTE: BEFORE CUTTING, DOUBLE CHECK THE MEASUREMENTS OF YOUR TRACED LINE IS ACCURATE TO YOUR BOWL DIMENSIONS.

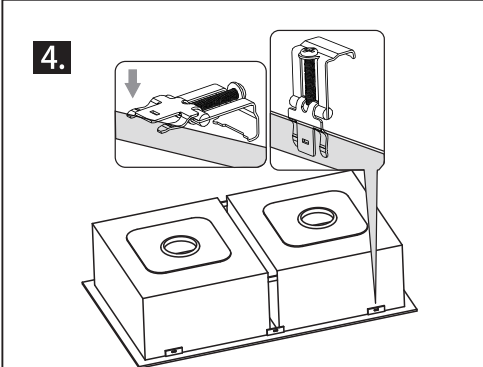
Use the appropriate cutting tool required for your counter top, cut along the line.

3.



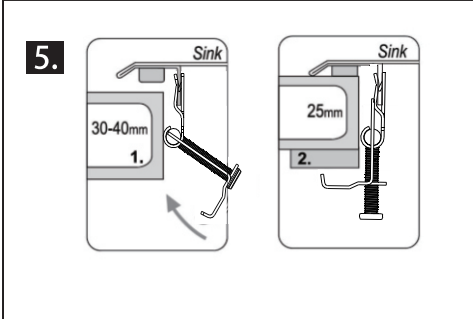
Adhere the bench seal around the under side of the edge of the sink, being careful to lay it smoothly (without ridges).

4.



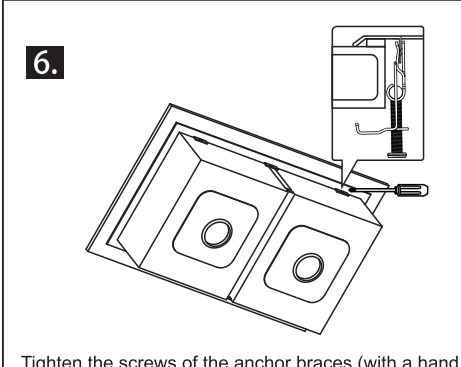
Place the anchor braces vertically and pull them up to lock into their horizontal position.

5.



These anchor braces are designed for use with counter tops 30-40mm thick (1). If your counter top is thinner, insert wooden wedges between the counter top and the braces to secure them (2). After placing two at each corner of the sink, place the rest evenly spaced around the perimeter of the sink.

6.



Tighten the screws of the anchor braces (with a hand screwdriver), to secure the sink in place.

CARE INSTRUCTIONS

For everyday cleaning of the sink, use household detergents suitable for stainless steel.

After each use, rinse the sink with warm water then wipe with a soft dry cloth.

- Do not use steel wool to clean your sink
- Do not use chemical “silver cleaners”, bleaches, or detergents containing chlorine or any of its derivatives.

WARNING!

- If the sink comes into contact with acidic materials, rinse immediately with plenty of water and wipe with a soft, dry cloth.
- Do not leave rusty objects in contact with the sink. Rust can cause staining, cracking or even permanent damage to the sink surface.
- To avoid staining of the surface do not leave food or other materials with corrosive properties such as juices, salt, vinegar, mustard etc. on the sink for a long time.
- Do not place very hot objects directly on the sink. Place them on a special surface (board) made from wood or plastic, etc.
- Avoid scraping the sink basin or draining board with utensils.
- Avoid dropping heavy or sharp objects onto the sink surface.

NOTE: 12x sink clips for topmount are included with the sink, however only 10x are required for installation. 2x spare clips for installation provided. Clips should be spaced evenly.