

# Mondella

CADENZA  
CURVY CHIC

## CADENZA

### CHROME

35MM CAST BASIN  
MIXER

35mm cartridge

Manufactured to Australian  
standards AS/NZS3718,  
WMKA21979 ApprovalMark

Fitted with approved water saving  
devices. WELS Lic No.1101

Item Number: 5003310  
MON1269



AS/NZS3718  
WMKA21979  
ApprovalMark



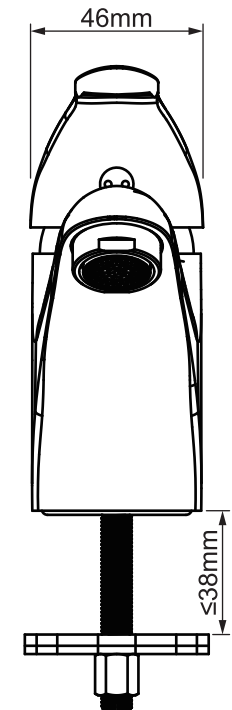
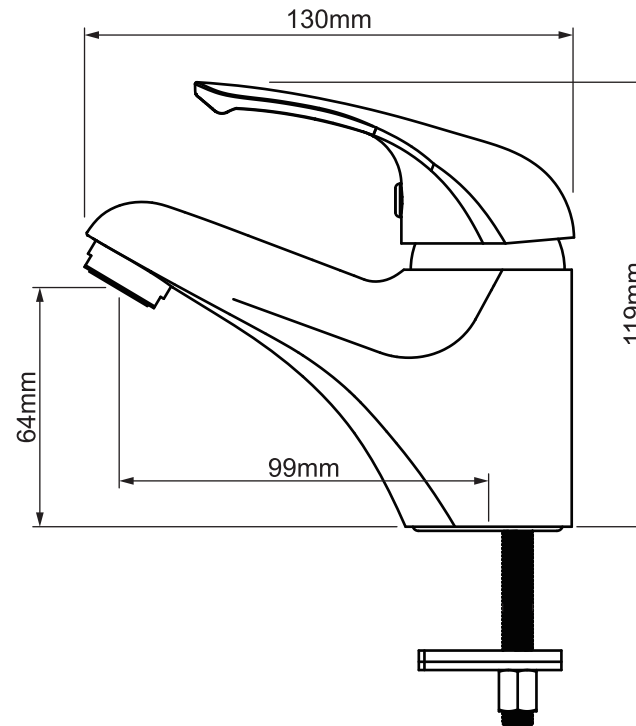
7.5 litres per  
minute

In accordance with AS/NZS 6400

Licence No. 1101

Kinetic Sourcing Group Ltd

# 10 YEAR WARRANTY\*



MON1269-FLV2  
27/07/23

\* refer to [www.mondella.com.au](http://www.mondella.com.au) for full warranty details

All dimensions in millimetres (mm) and subject to manufacturing tolerances.