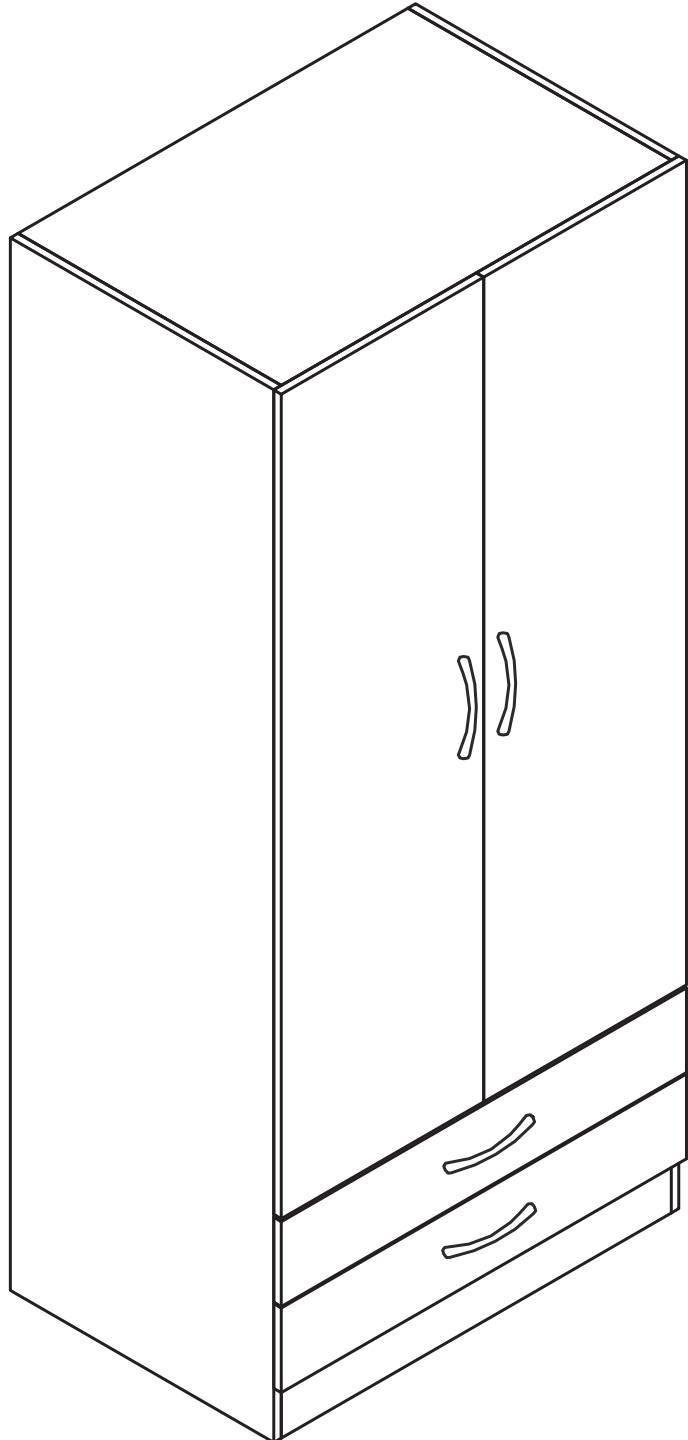


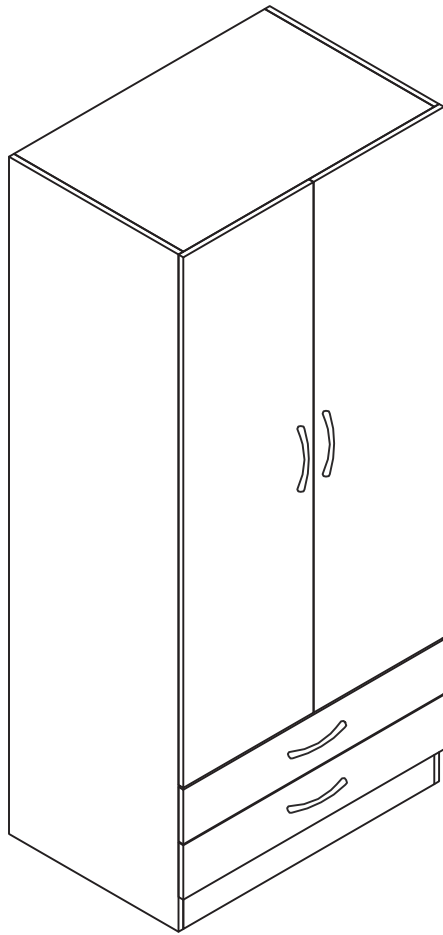
2 DOOR 2 DRAWER ROBE ASSEMBLY GUIDE

IMPORTANT

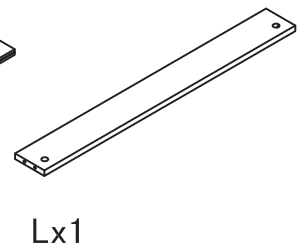
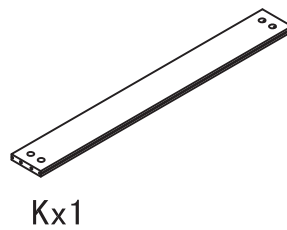
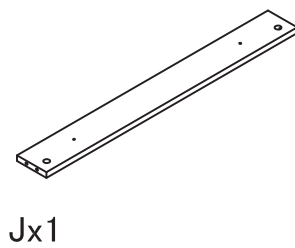
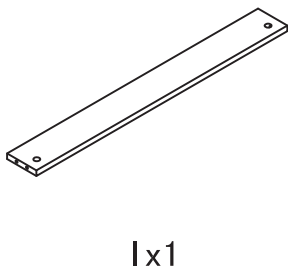
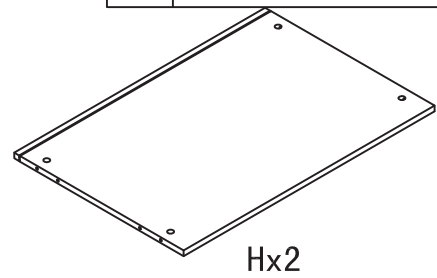
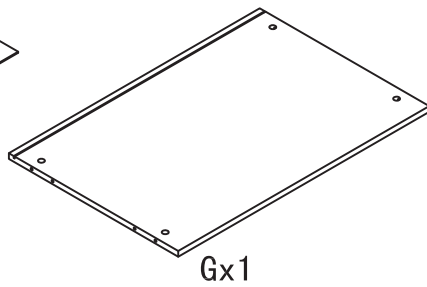
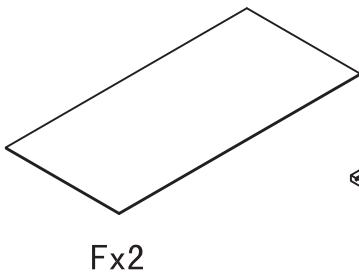
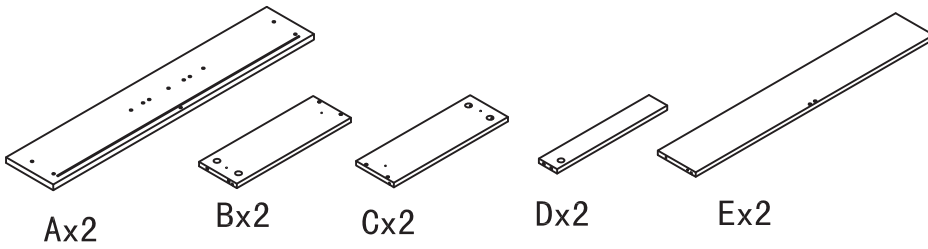
Before commencing assembly:

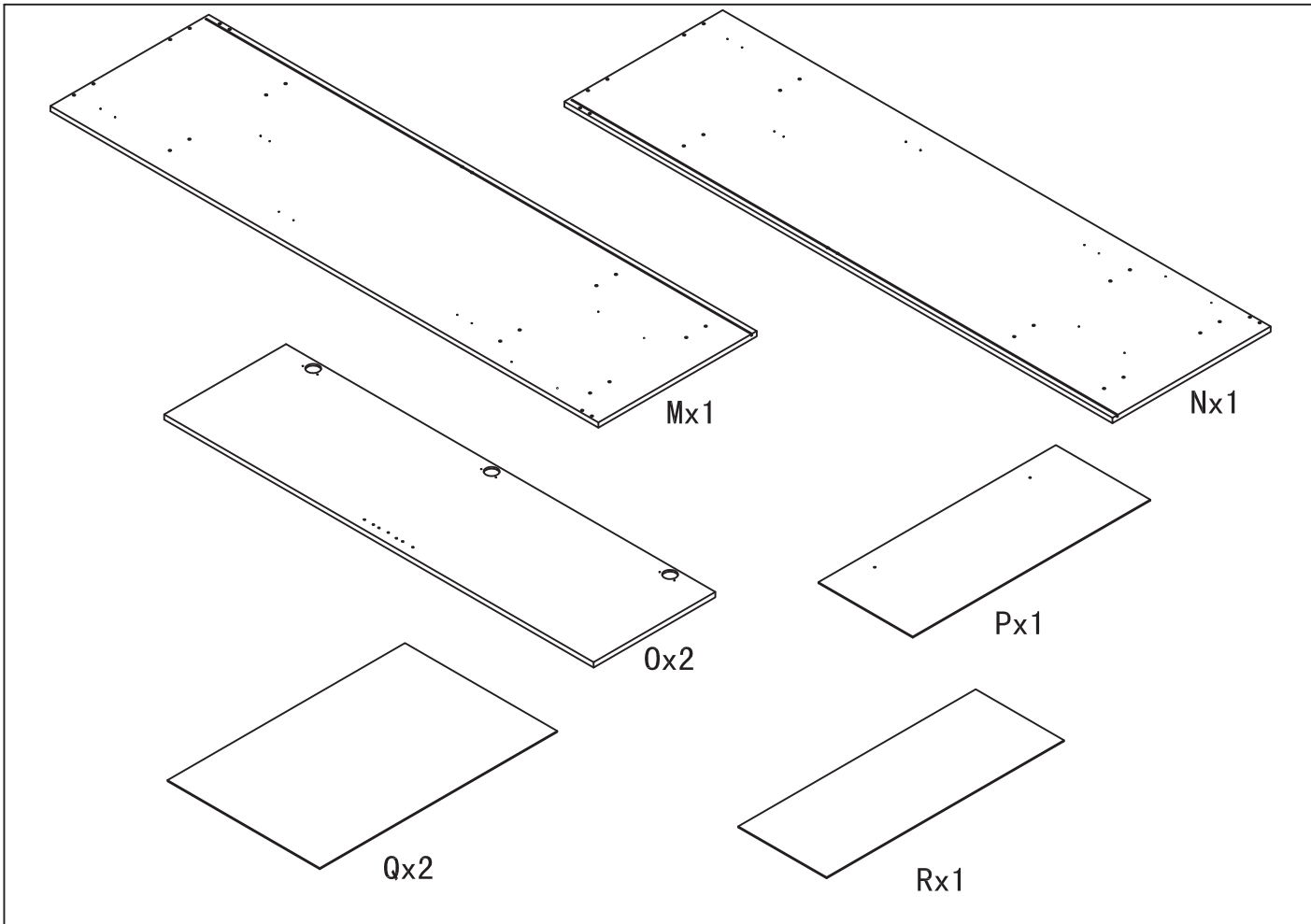
- Read all instructions COMPLETELY.
- Hardware kit contains small parts; keep out of reach of children.
- Ensure all listed parts are present.
- Required tools to assemble: Phillips Head Screwdriver, Drill and Hammer.
- Required assembly work surface should be solid, level, clean and flat.
- Ensure all edged surfaces are facing to the front of the unit.





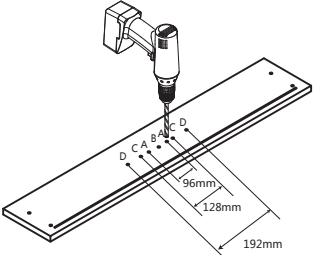
a		32
b		32
c		20
d		4
e		8
f		1
g		2
h		2
i		24
j		6
k		40
l		2
n		8
o		8
p		2
q		2
r		12
s		4
t		1
u		2
v		2





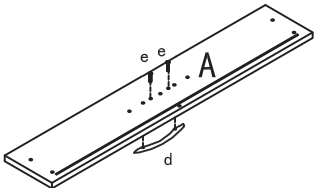
1

All drawers have been pre-drilled to suit multiple handle hole spacings. If using the standard handle supplied, use the holes at 96mm hole centres marked (A) and complete the drilling process using the drill bit supplied.

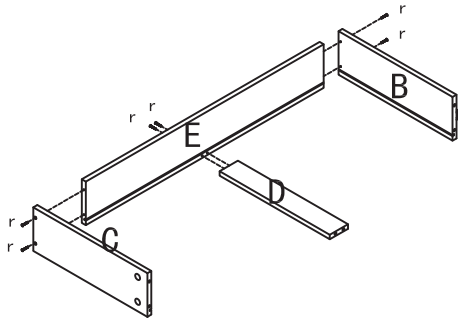


Other holes have been pre-drilled to suit:
 (B) centre knob
 (C) 128mm handles
 (D) 192mm handles

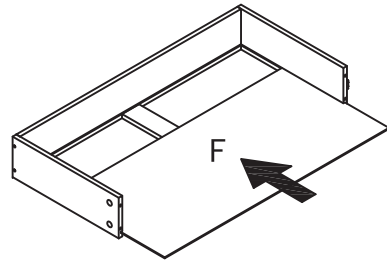
2



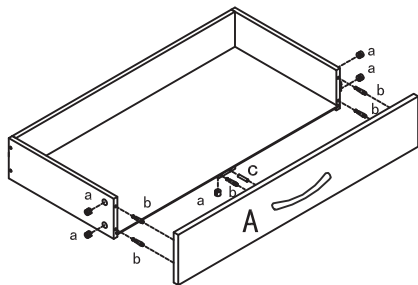
3



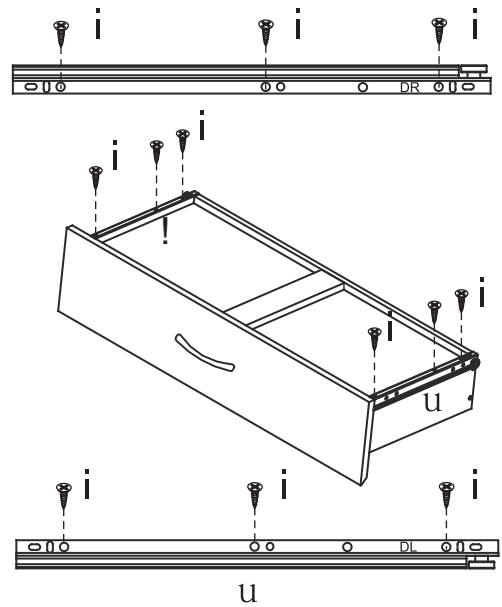
4



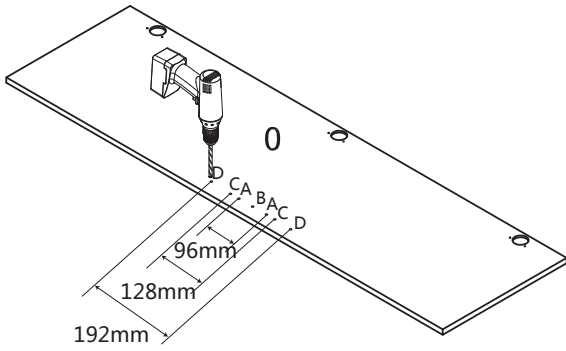
5



6



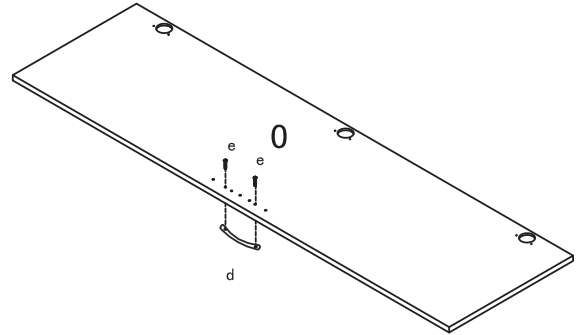
7



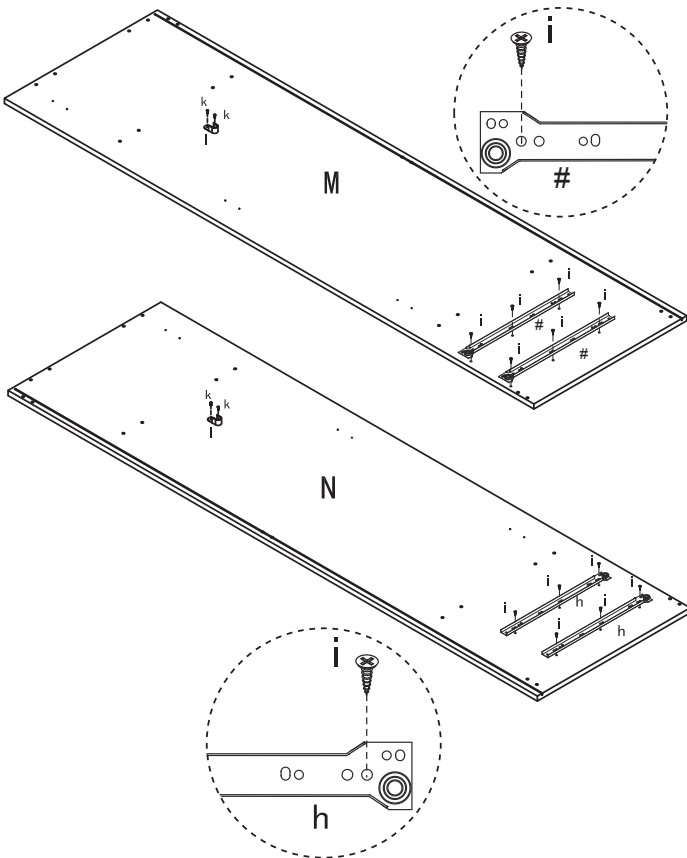
All doors have been pre-drilled to suit multiple handle hole spacings. If using the standard handle supplied, use the holes at 96mm hole centres marked (A) and complete the drilling process using the drill bit supplied.

Other holes have been pre-drilled to suit:
 (B) centre knob
 (C) 128mm handles
 (D) 192mm handles

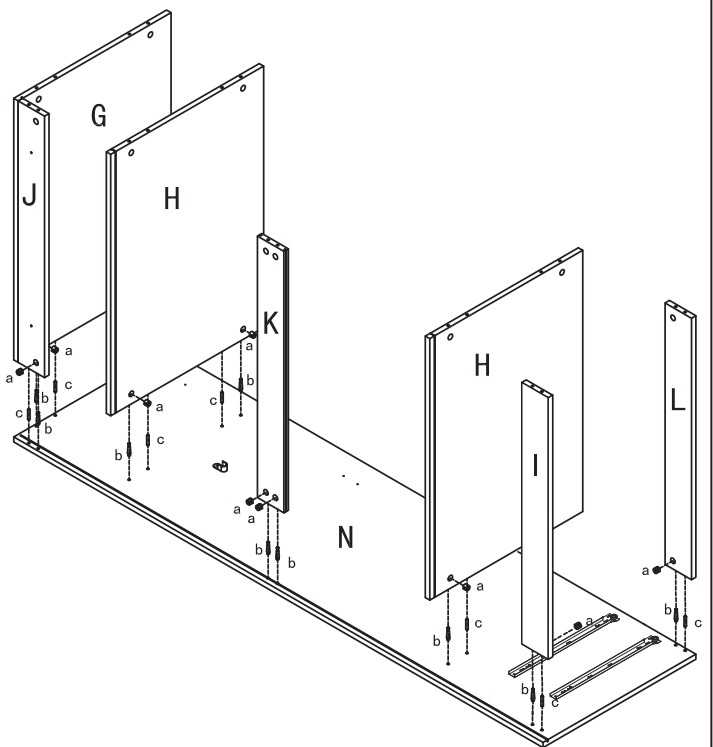
8



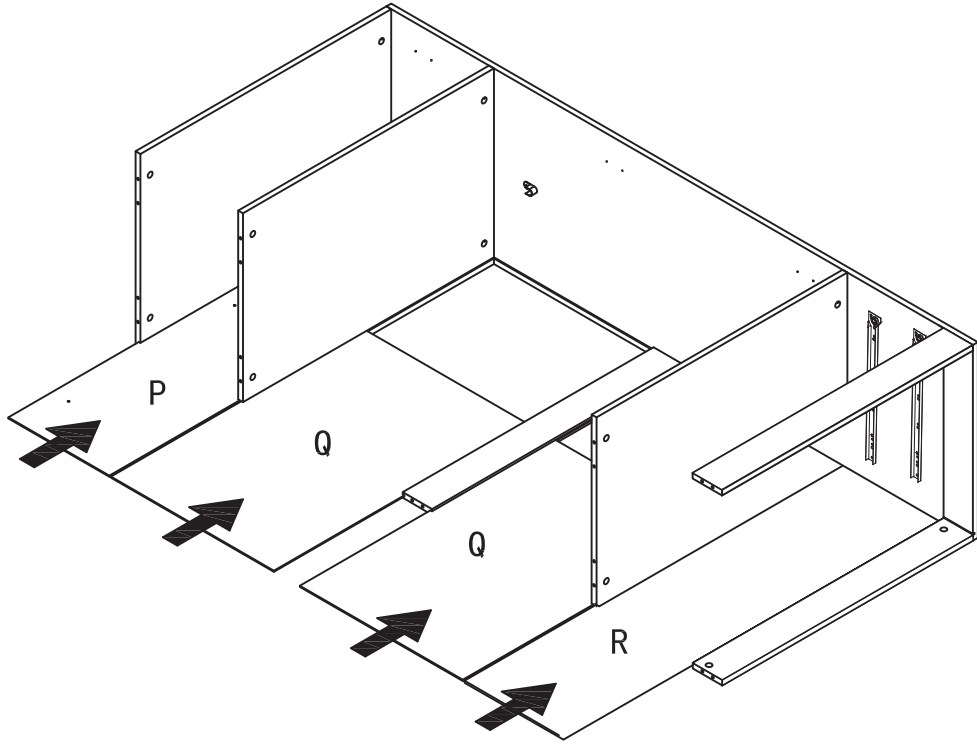
9



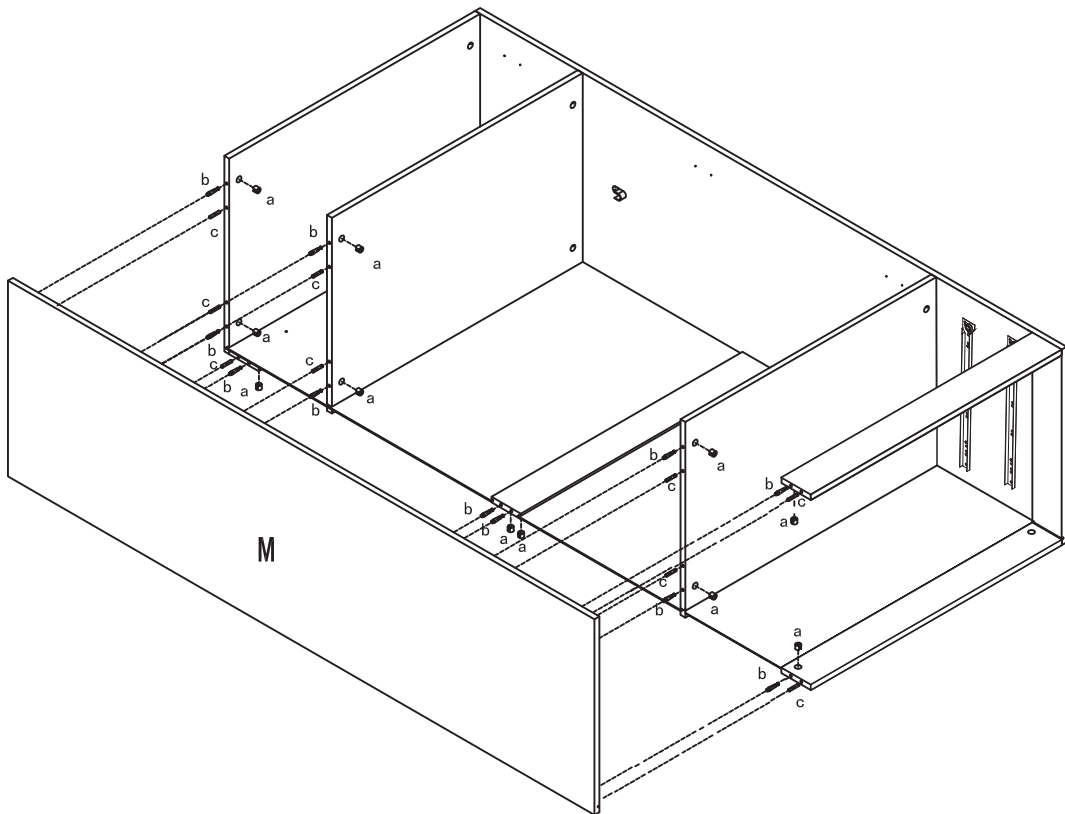
10

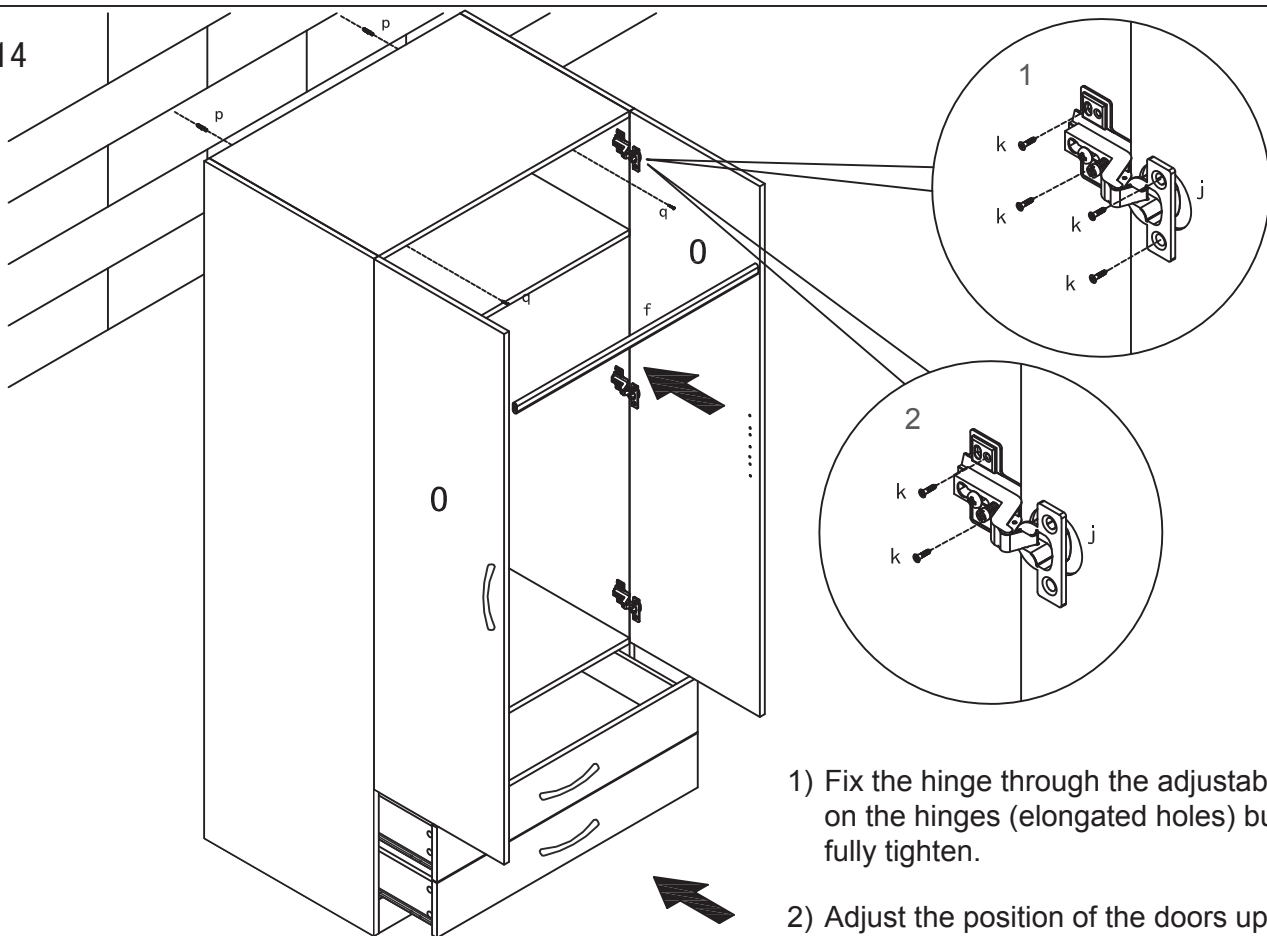
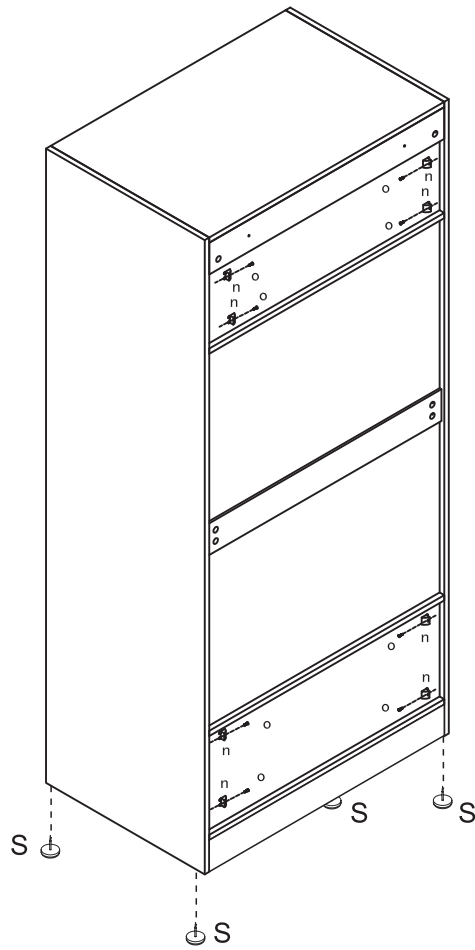


11



12





- 1) Fix the hinge through the adjustable holes on the hinges (elongated holes) but do not fully tighten.
- 2) Adjust the position of the doors up and down to make them even then fix the hinge into position through the mounting hole (round hole).