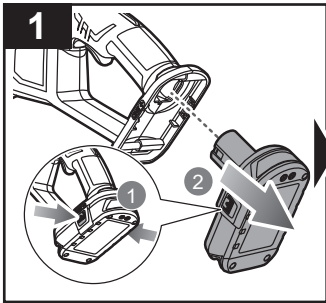
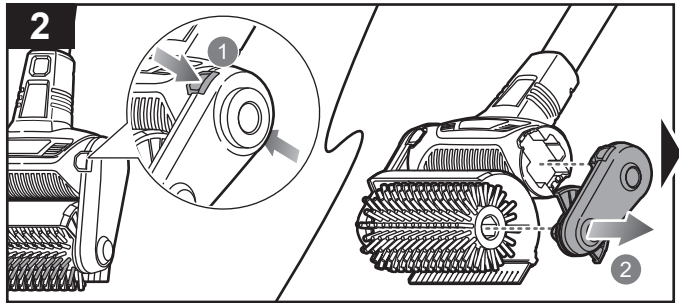


RSCB1

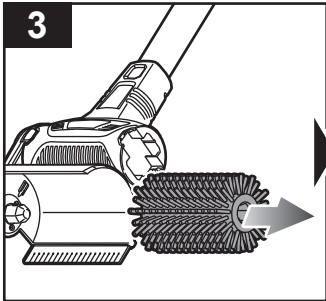
SCOURING BRUSH ACCESSORY



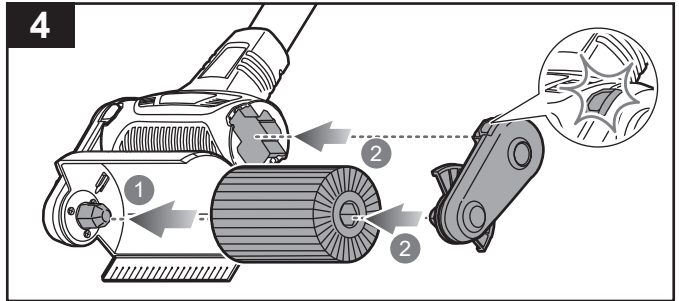
Remove the battery pack.



Press the latch to unlock the bracket. Remove the bracket.



Remove the old brush.



Install the replacement brush. Hold and press the bracket back in position until it clicks into place.

PRODUCT SPECIFICATIONS

Compatible model OSC1800