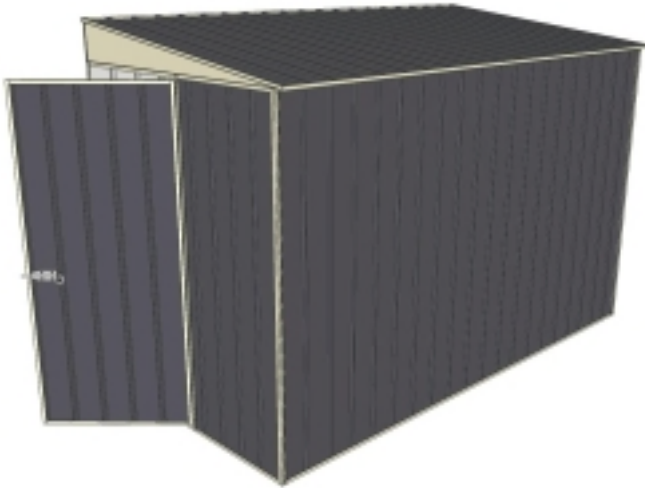


Buildashed Specifications

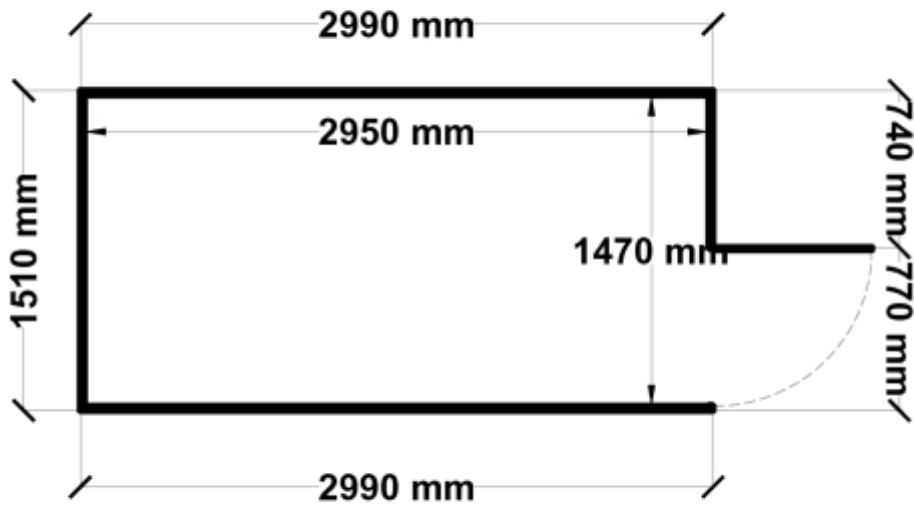


Color	Colorbond Equivalent*	Bunnings I/N
Grey	Monument	0378837
Green	Pale Eucalypt	3315951
Cream	Paperbark	3315957
Zinc	Galvanized Steel	3315960

Equivalent color names listed are Trademarks of Bluescope Steel Limited and are only used for comparison. The use of color names indicates no more than color equivalency.

Model	S15H130N0
Roof type	Skillion
Exterior dimension	1510mm x 2990mm
Interior dimension	1470mm x 2950mm
Height @ wall	1900mm
Height @ ridge	2100mm
Primary door type	Single Hinged
Primary door height	1845mm
Primary door opening	770mm
Secondary door type	N/A
Secondary door height	N/Amm
Secondary door opening	N/Amm
Area	4.51sq mt
Slab size	1635mm x 3090mm x 100mm

Floor Plan



Features

- 1.9m wall height for more head room
- All holes pre-drilled for easy assembly
- Mid-wall frame for extra strength
- Your shed will arrive in 5 boxes, with no box greater than 25kg
- Easy to follow video enhanced instructions.

Anchor brackets and masonry bolts are supplied with this shed.

Heavy duty door channel protector ramps are supplied with this shed.

All measurements listed have a tolerance of +/- 10mm

