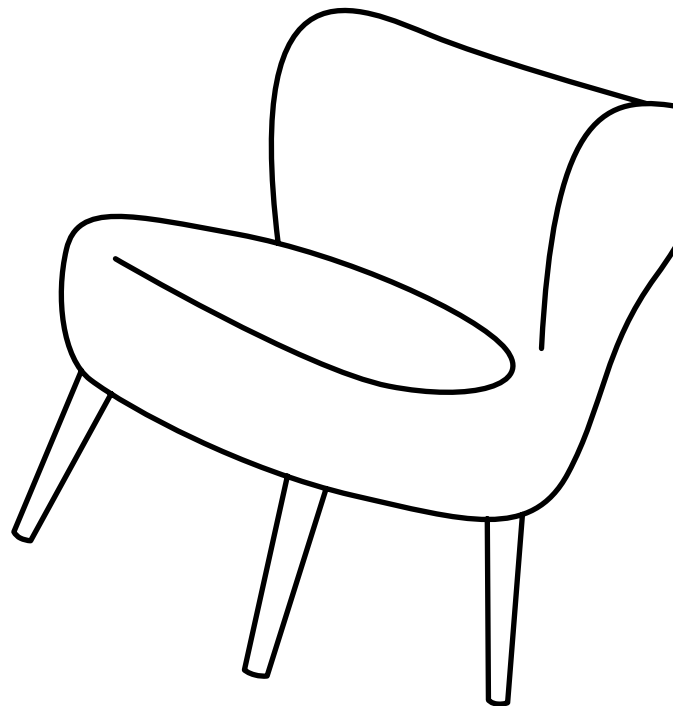
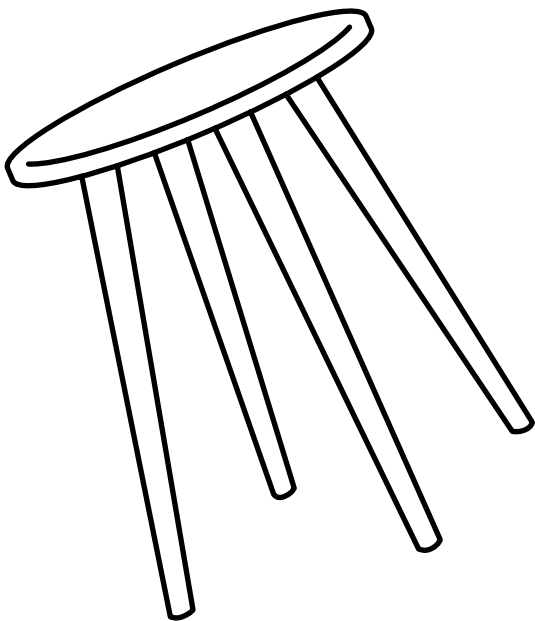


Hello, I've arrived!

Now that I'm here you are only one flat-pack away from transforming your home.



Mocka.

Thank you for supporting us.

We believe design belongs to everyone. From materials and processes to safety testing, production and delivery, we are passionate and committed to bringing you the best possible product so you can create beautifully functional spaces to feel comfortably you.

Here are a few assembly tips before you get started:



Make Time

The first step to all seamless assembly is taking a moment to carefully read through the instructions—you are already on your way to creating a beautifully functional space!



Set The Mood

Put on your favourite playlist, order that pizza and pour yourself a drink to get in the mood!



Tool Check

Layout the instructions, screws and panels to check you have everything you need. A blanket or soft floor rug will help protect your new favourite item from scratches and a drill will speed up the assembly too!



Room Reveal

You did it! Take a step back and enjoy the moment. Don't forget to recycle any packaging and share a pic of your room reveal—we love seeing how you transform your home! **Tag us @mockaaustralia/@mockaanz**

Happy flat-packing!

The Mocka Team

Need help? Our Support Team are available via live chat, email or phone. Visit our website for details.

AUSTRALIA

+61 7 3184 8466

Our phone lines are available
weekdays 9am to 5pm AEST



NEW ZEALAND

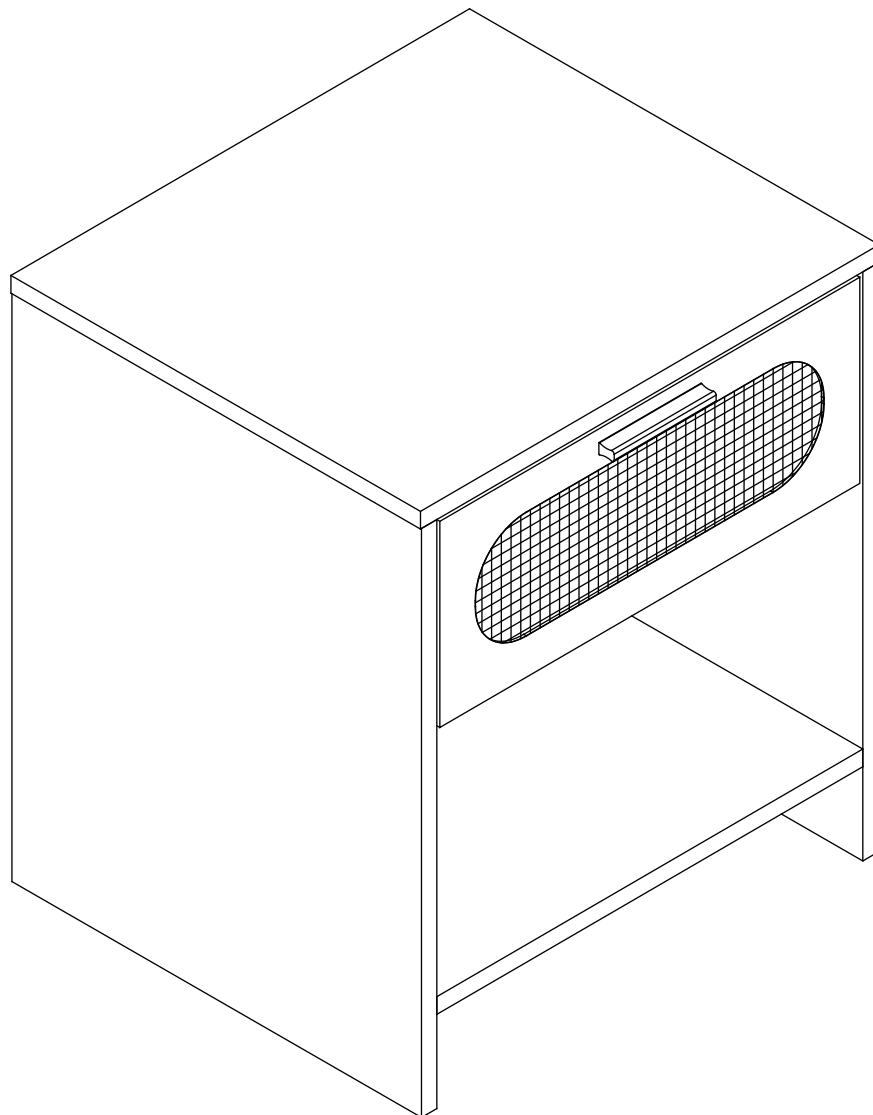
+64 3 384 1858

Our phone lines are available
weekdays 9am to 5pm NZT

Denver

Bedside Table

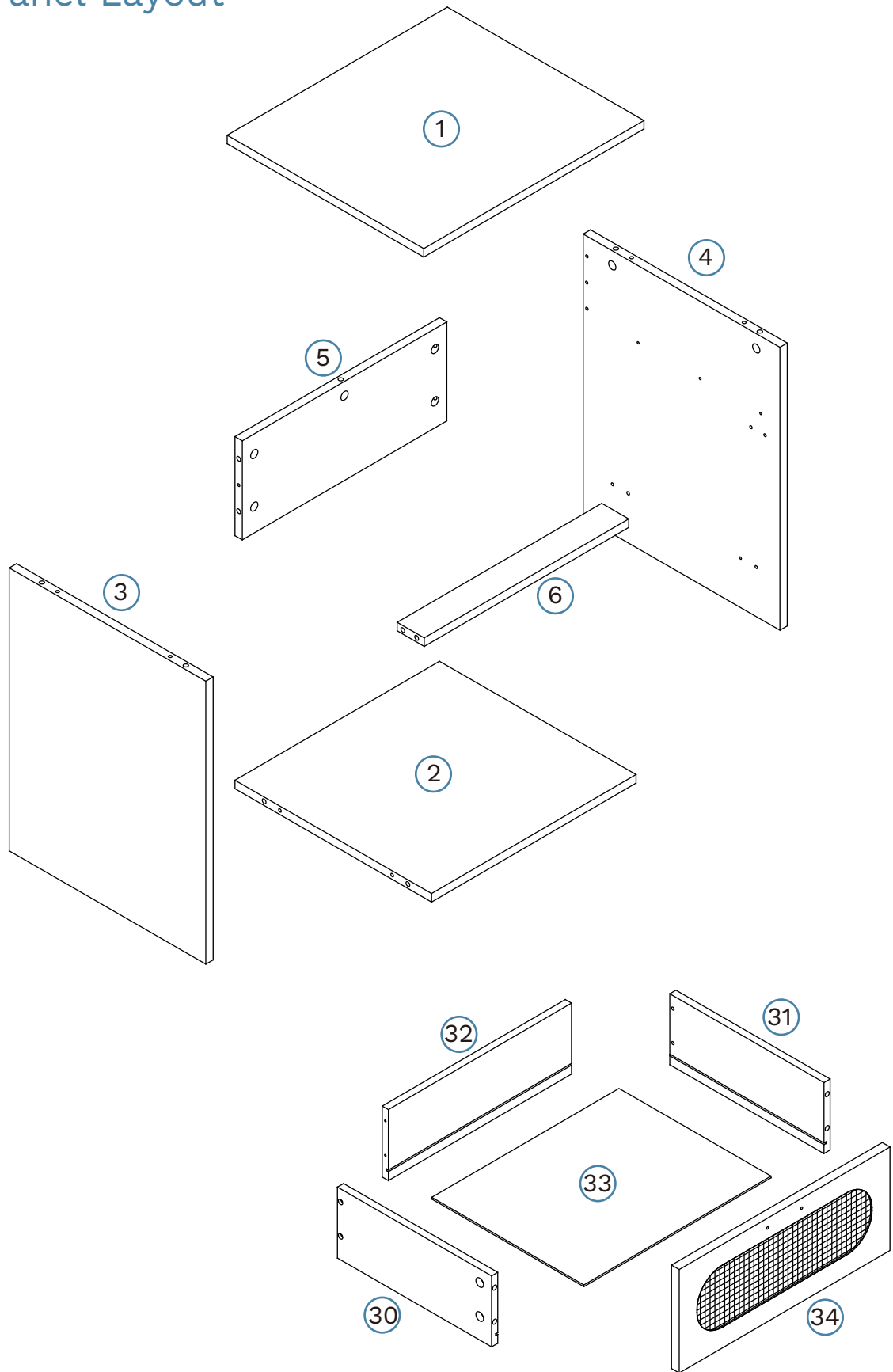
Thank you for your purchase. Please follow the instructions for correct assembly. While we took great effort to ensure these assembly instructions were correct at the time of printing, sometimes updates are required post production. For the most up to date versions please refer to the product page on our website. mocka.com.au/mocka.co.nz



Denver










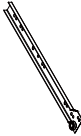

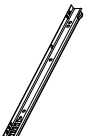
Bedside Table

Panel Layout



Denver

Bedside Table

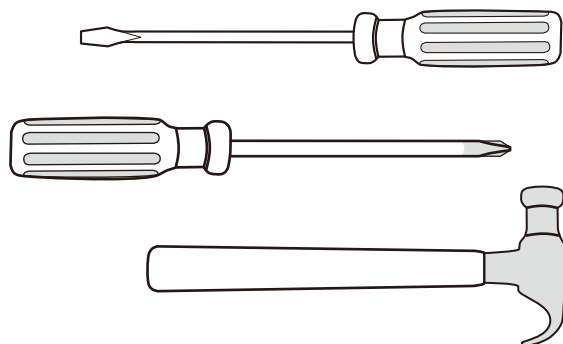
A	B	C	D	E	F	G
						
dowel x10	screw x4	bolt x21	locking nut x21	screw x10	plastic glide x4	handle x1
H	CL	CR	DL	DR		
						
screw x2	slide rail x1	slide rail x1	slide rail x1	slide rail x1		

HARDWARE SUPPLIED

V	W	X	Y	Z
				
safety strap x1	screw x 1	wall anchor x 1	wall screw x 1	washer x 2

WALL STRAP

WARNING: Any furniture that is not anchored to a wall has the potential to tip over in certain circumstances, i.e. if a child attempts to climb up on the furniture or in the event of an earthquake. Accordingly, we recommend that all furniture is anchored to a wall. We supply a free safety wall anchor with all furniture sold and we recommend these are used to prevent your product tipping. The fixing device provided should fit most wall types, but please note that different wall materials may require different fixing devices from those supplied.



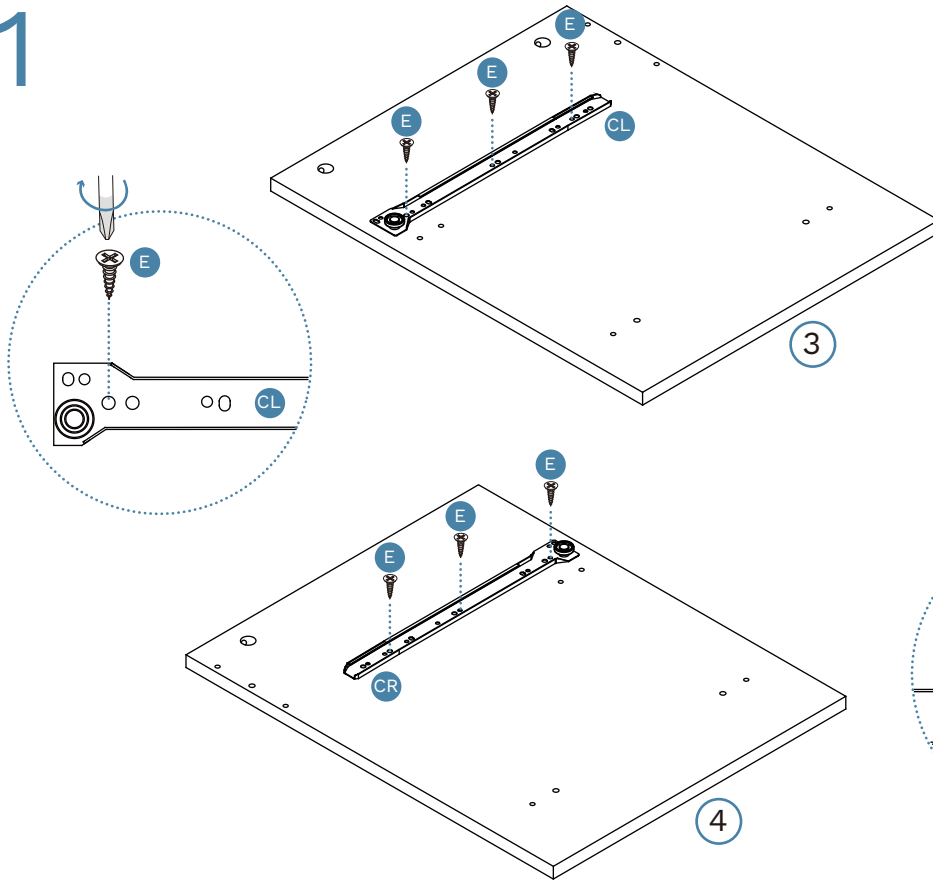
Phillips & Flathead screwdrivers
and hammer required




For quicker assembly, we recommend the use of a power drill on a low-speed setting.

Denver

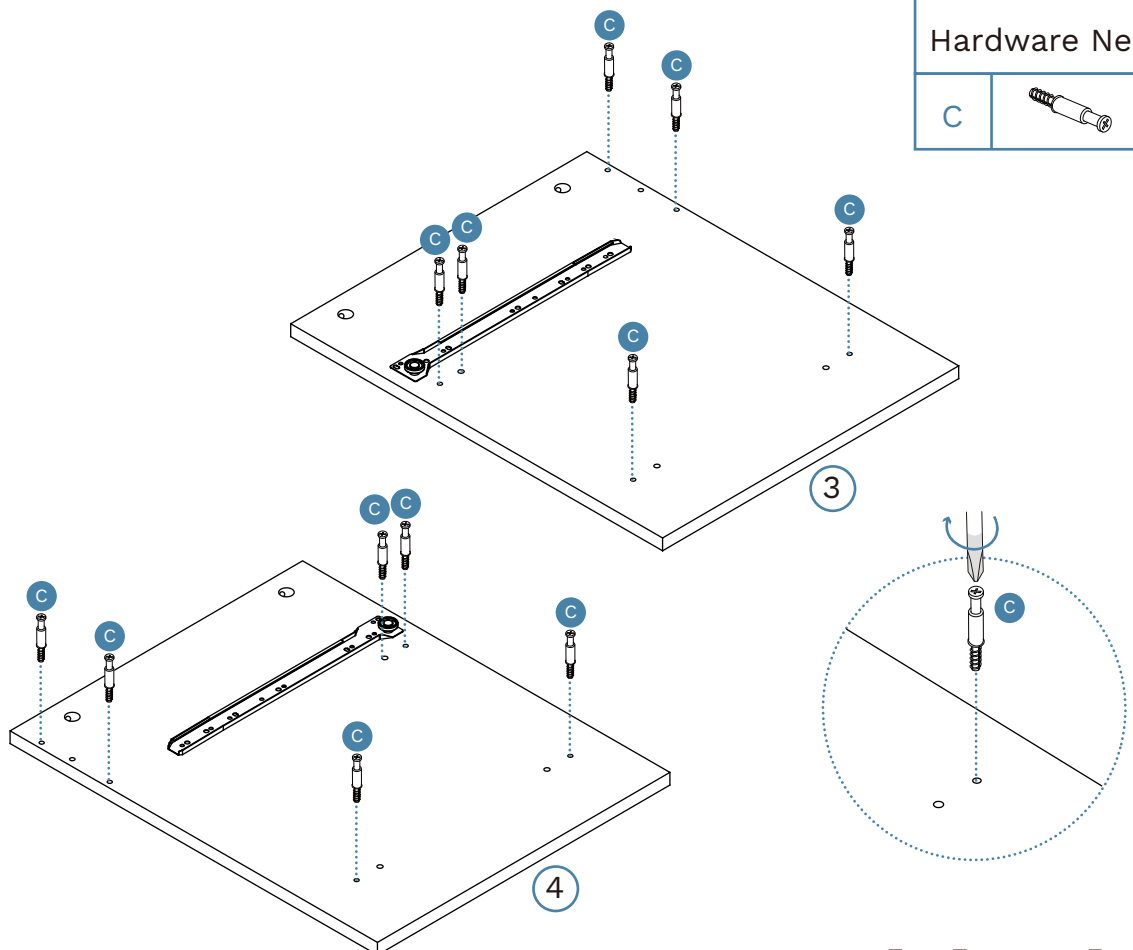
Bedside Table


1



Hardware Needed		
E		x6
CL		x1
CR		x1

2

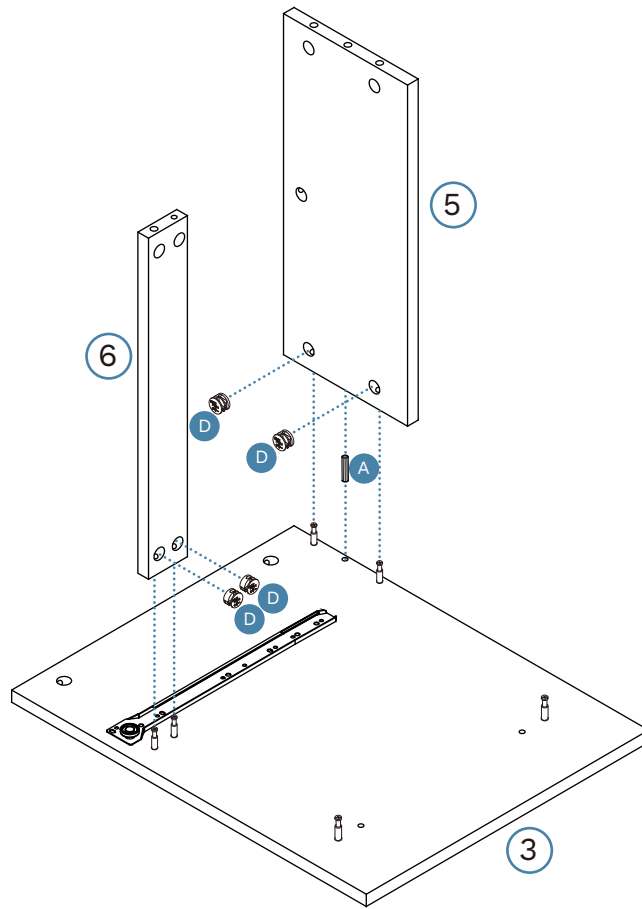




Hardware Needed		
C		x12

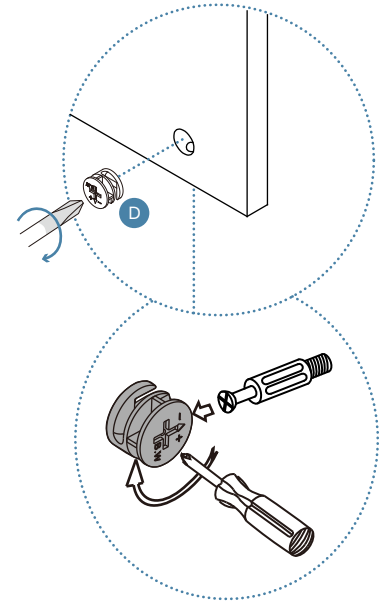
Denver

Bedside Table

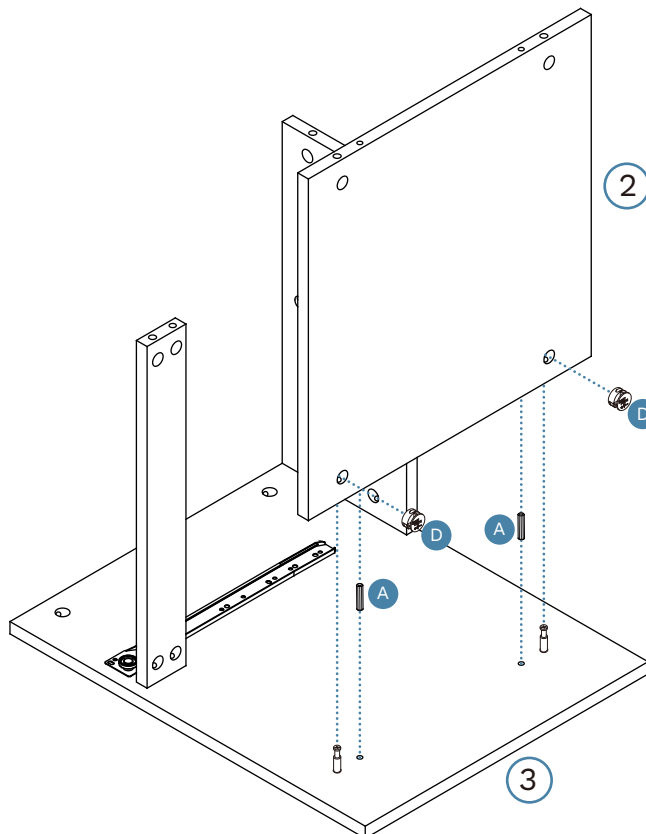
3

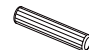



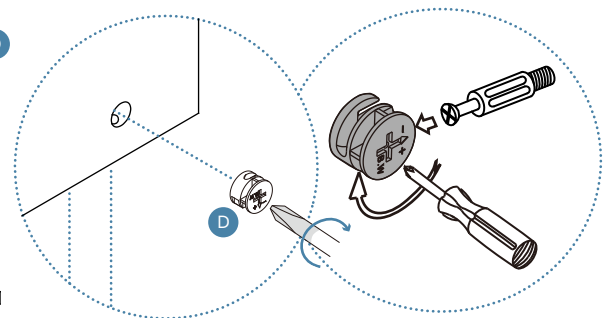
Hardware Needed		
A		x1
D		x4



4



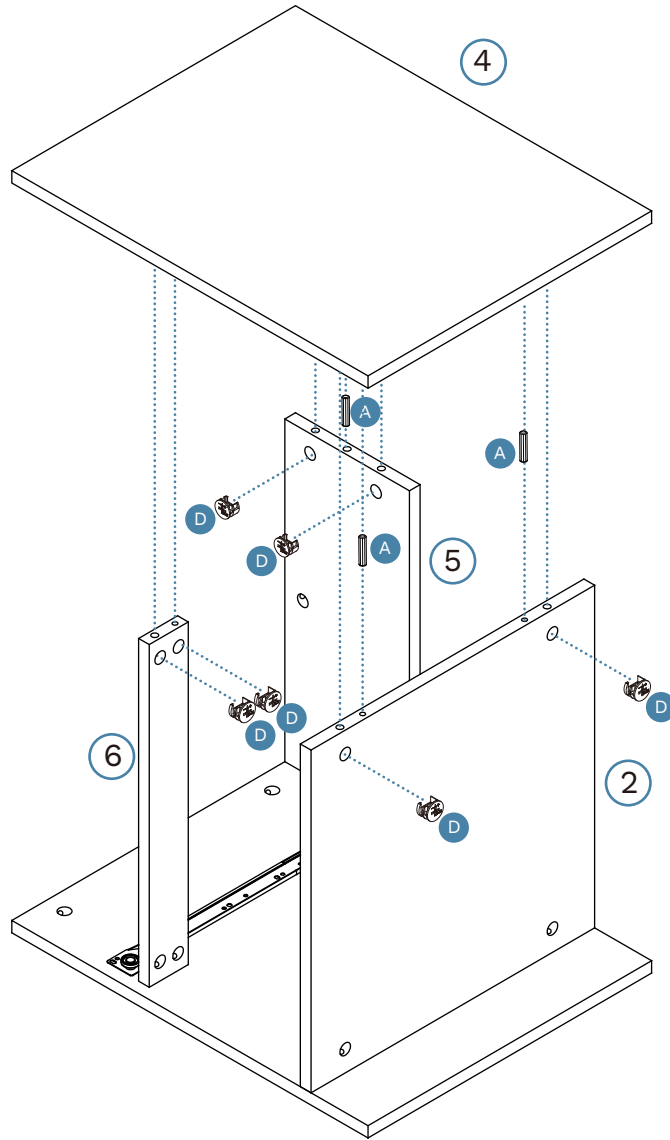
Hardware Needed		
A		x2
D		x2





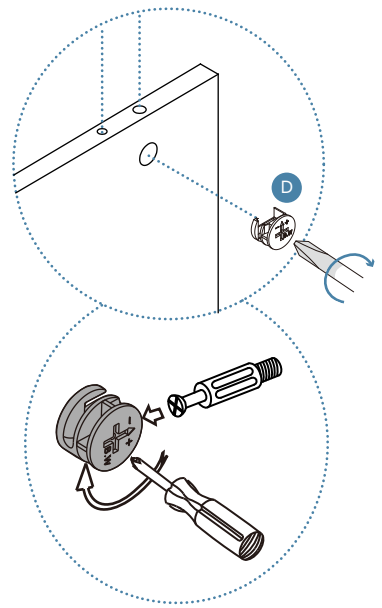
Denver

Bedside Table

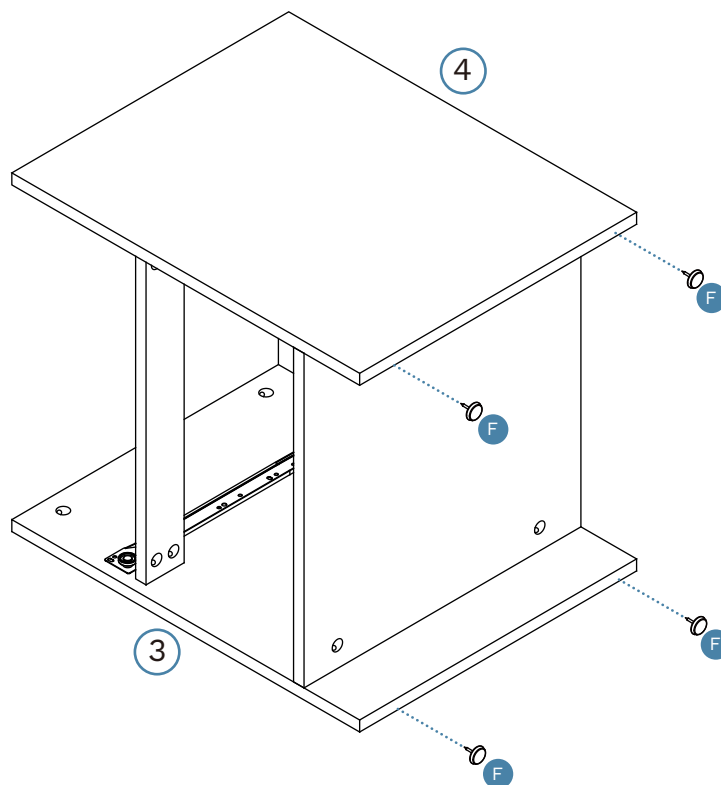
5




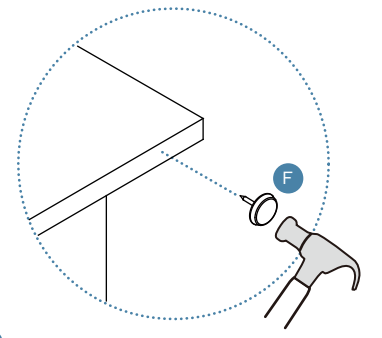
Hardware Needed		
A		x3
D		x6



6



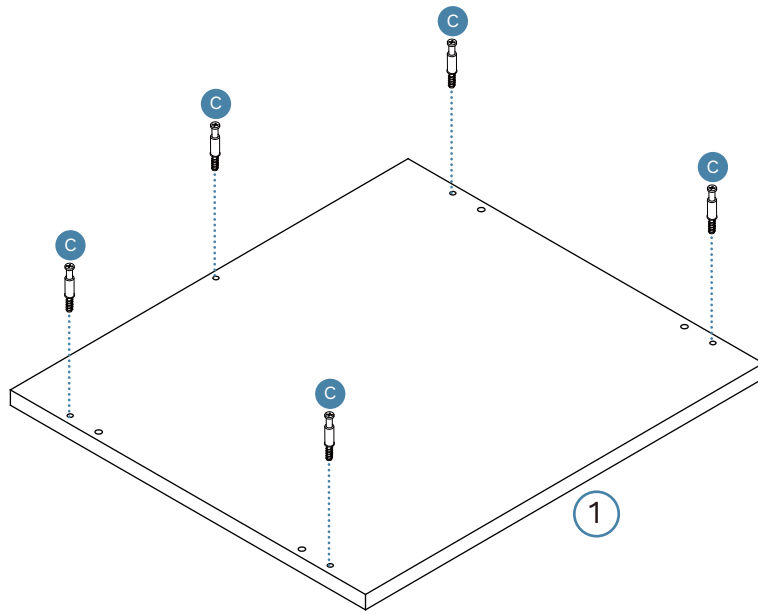
Hardware Needed		
F		x4




Denver

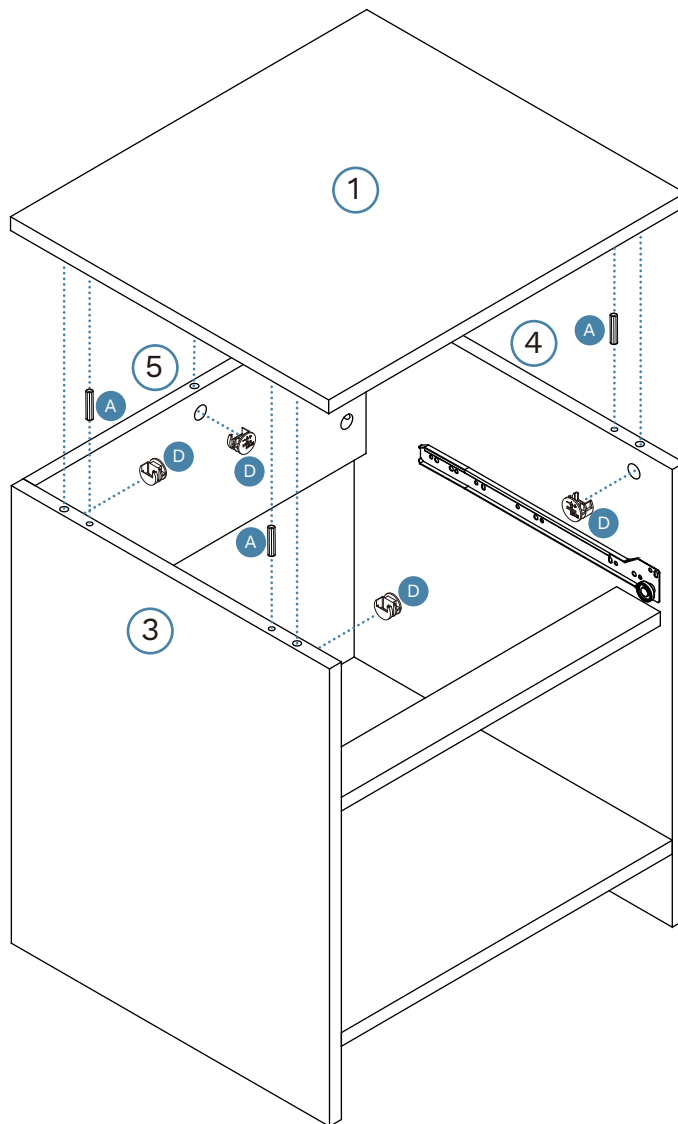
Bedside Table



7

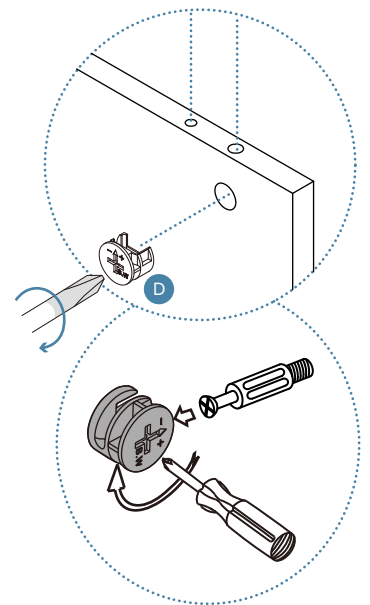


Hardware Needed		
C		x5

8




Hardware Needed		
A		x4
D		x5

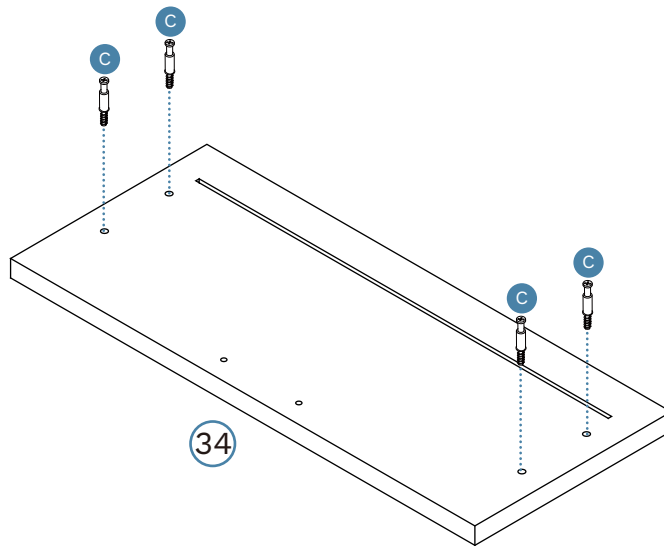


Denver


Bedside Table

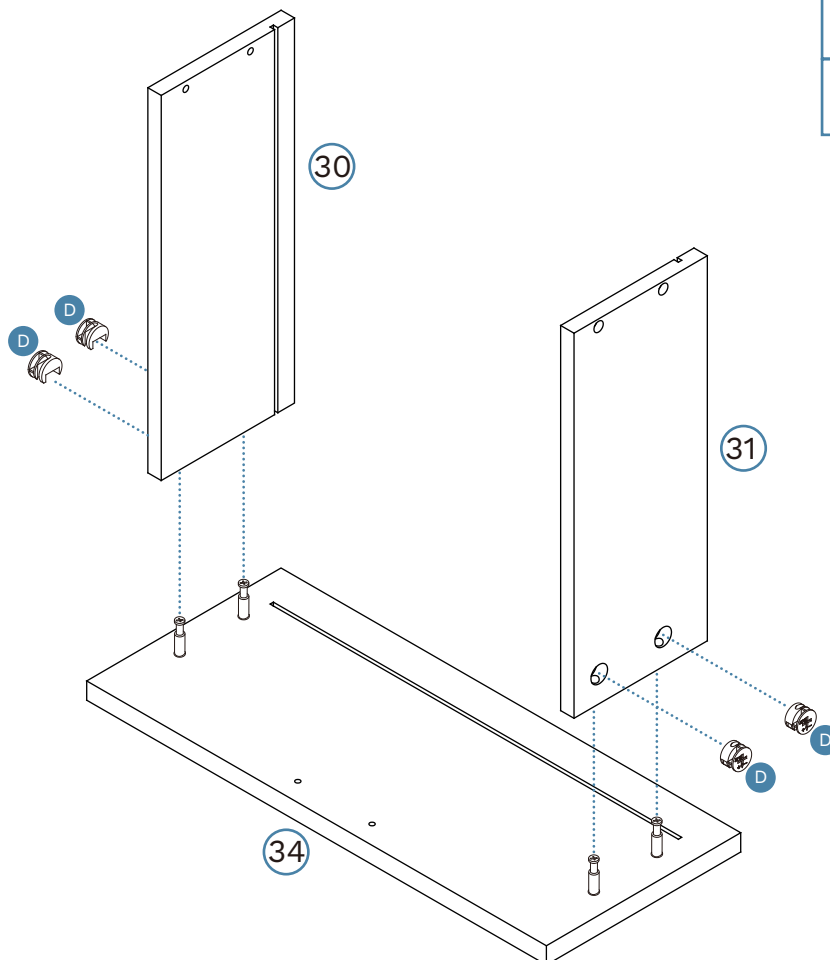
9

Hardware Needed		
C		x4



10

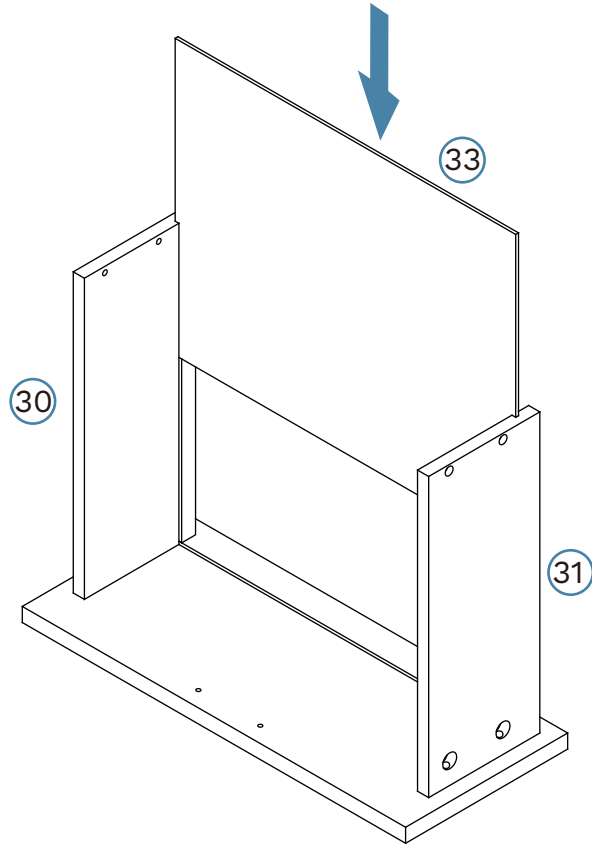
Hardware Needed		
D		x4



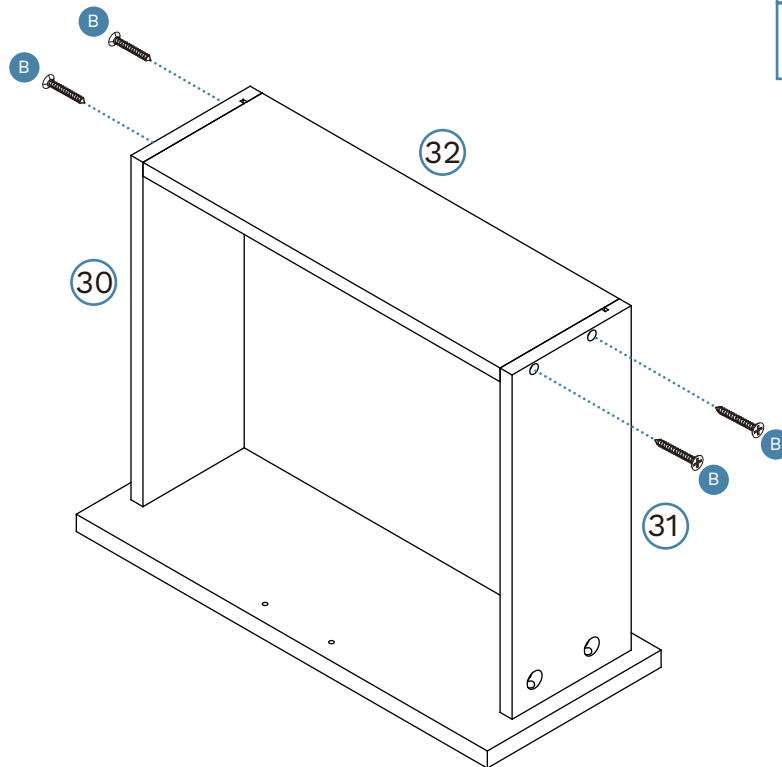
Denver

Bedside Table

11



12



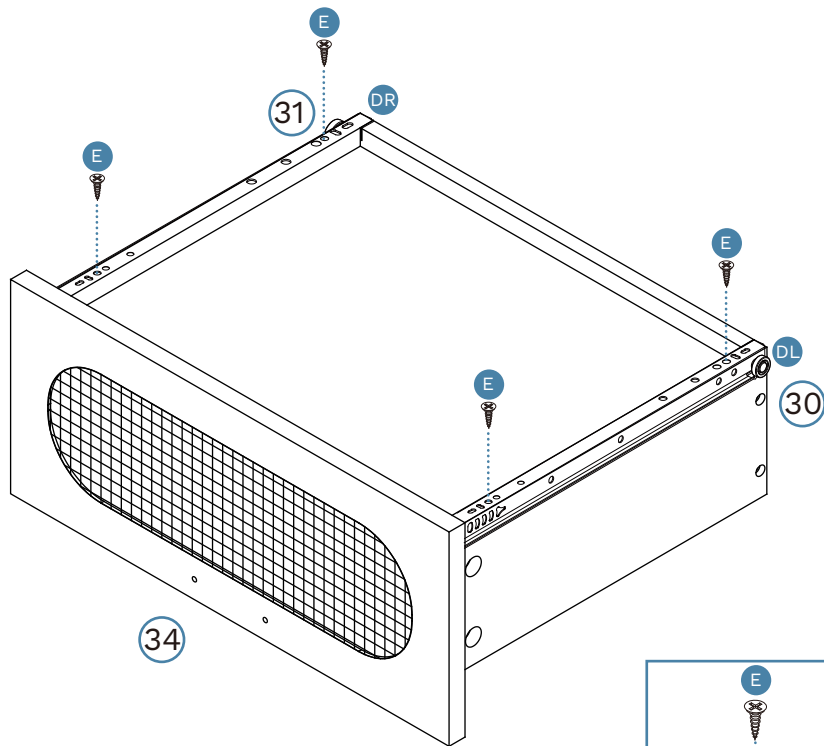
Hardware Needed




B		x4
---	---	----

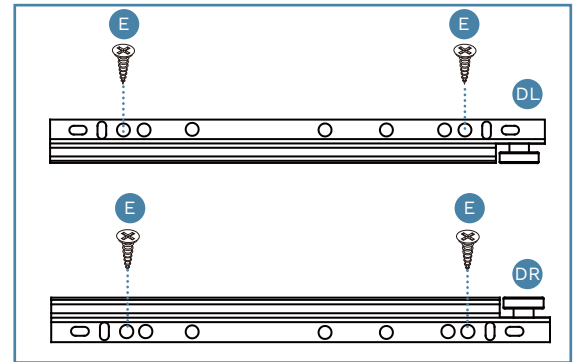
Denver

Bedside Table

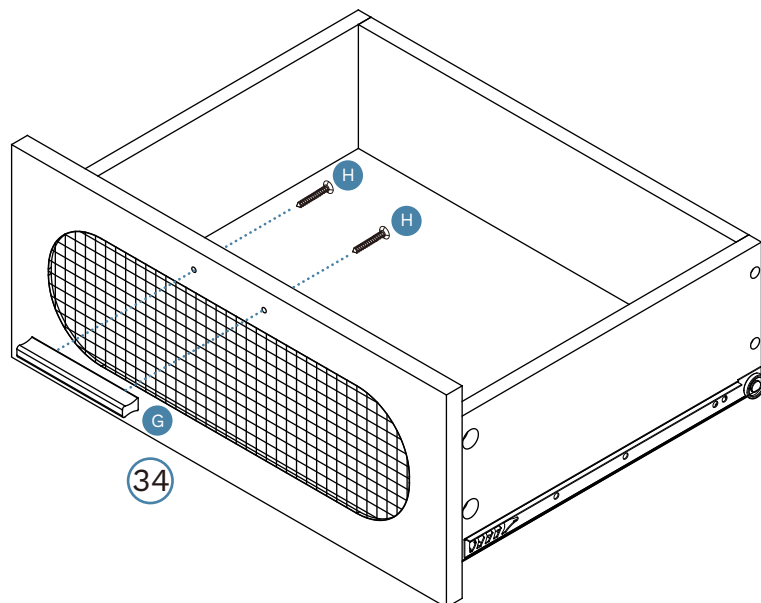
13


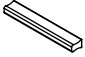


Hardware Needed		
E		x4
DL		x1
DR		x1



14

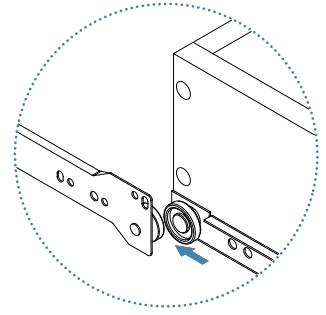
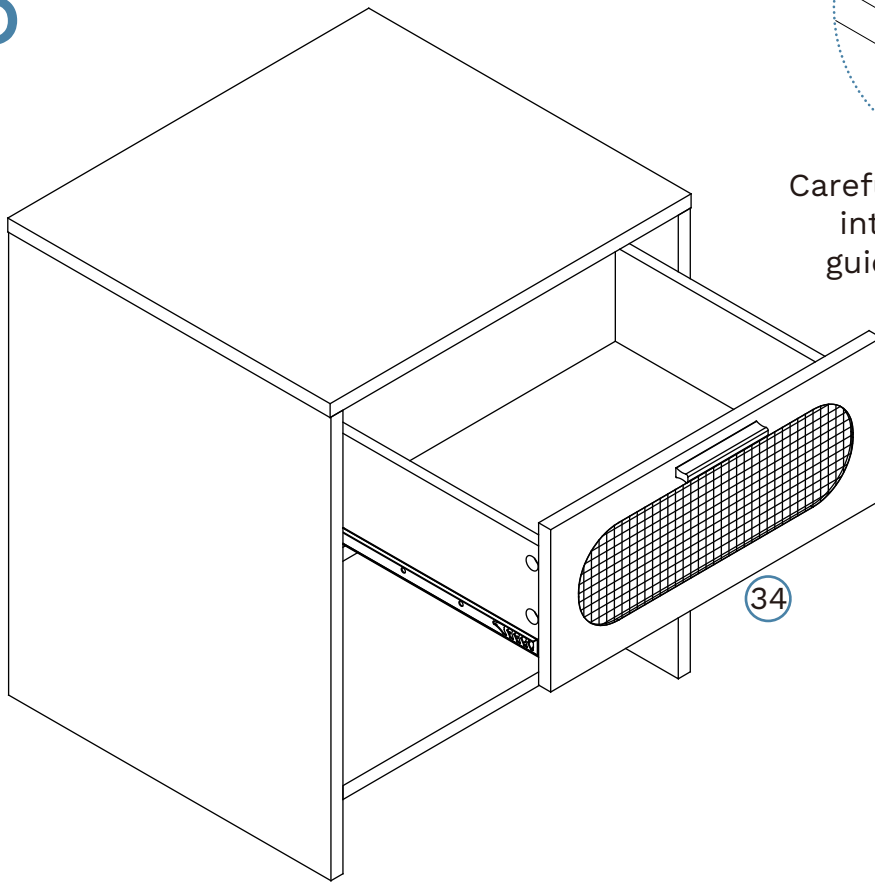


Hardware Needed		
H		x2
G		x1

Denver

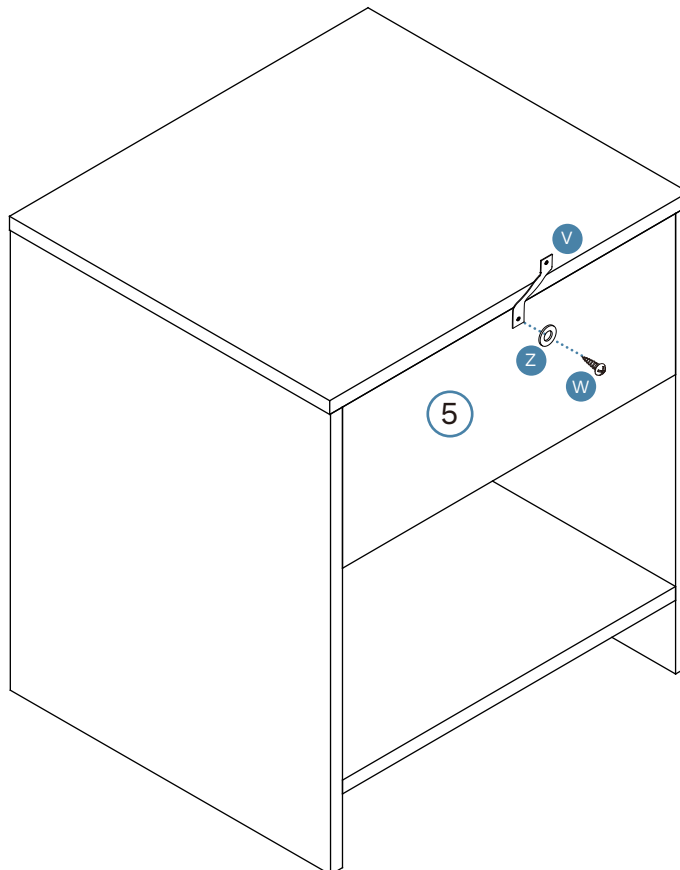
Bedside Table

15

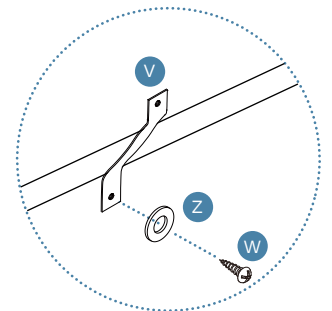


Carefully insert the drawers into the unit by gently guiding the runners into the tracks.

16



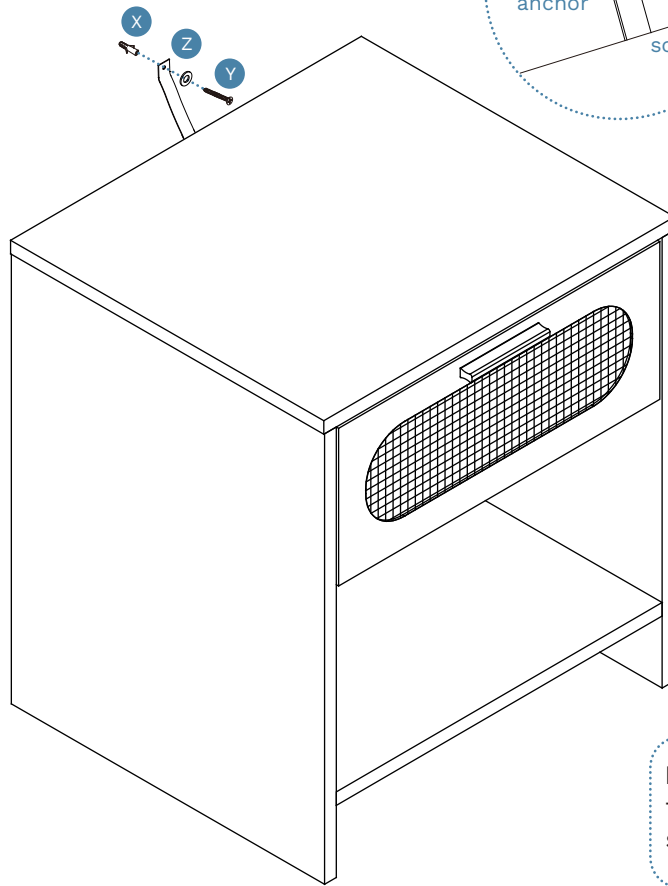
Hardware Needed		
V		x1
W		x1
Z		x1






Denver

Bedside Table

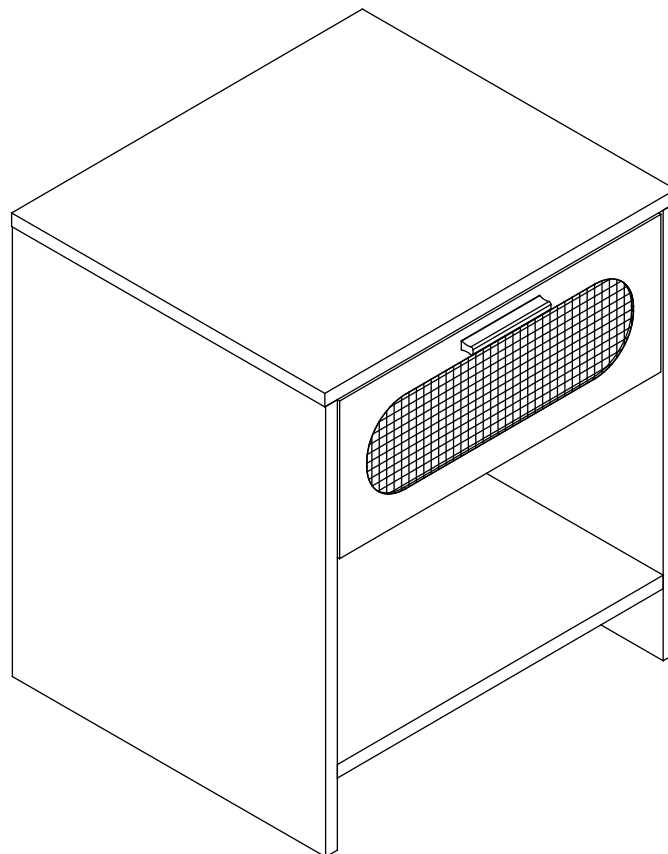
17



Hardware Needed		
X		x1
Y		x1
Z		x1

Note: Seek advice from a qualified trades person on how to attach this safety strap to your specific wall.

18



Once assembled lift furniture into place, do not drag. You're done, enjoy!



Register your product.

Scan the code above and register your purchase for warranty.



Love it for longer.



Caring for our world.

In the interest of our environment, please dispose of all packaging thoughtfully.



Good news, you're all done!

Love it and share it on Instagram by tagging

 @mockaaustralia | @mockanz