

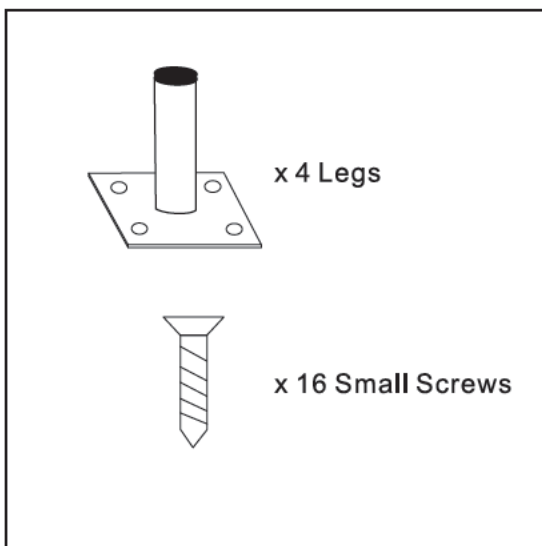
450MM VANITY WITH SEMI-RECESSED BASIN

Installation Guide - legs

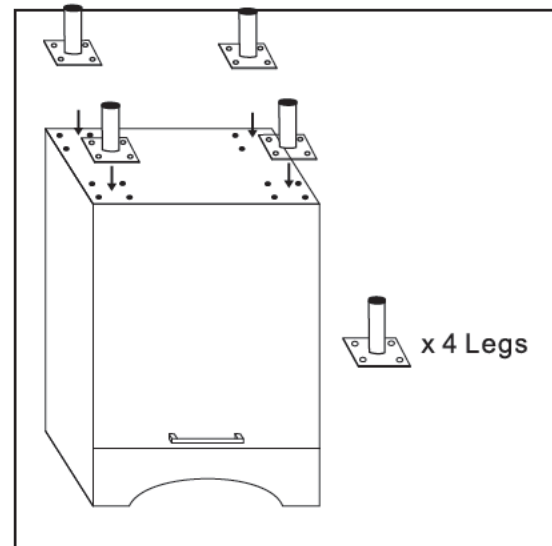
Note - Please thoroughly inspect the Vanity unit prior to installation.

- Please refer to the warranty card for any claims or exclusions to the warranty.

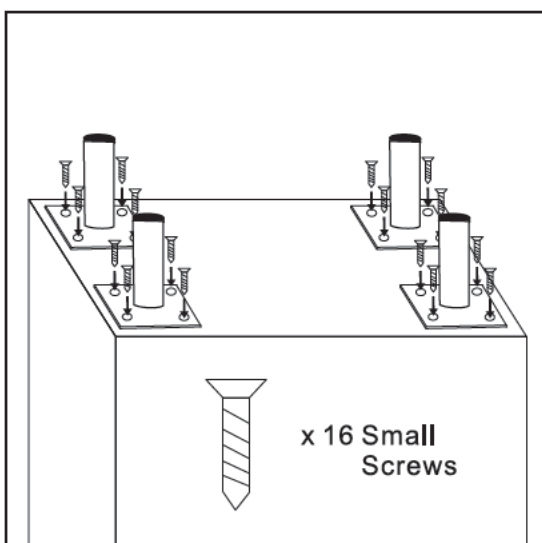
Legs Installation



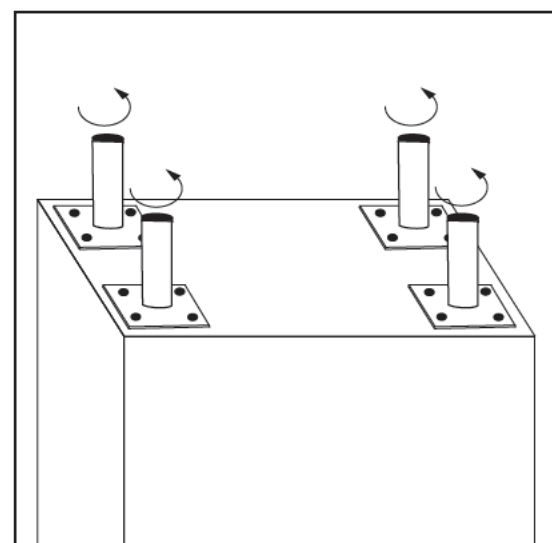
1. Ensure you have received 4 x legs & 16 x screws.



2. Turn the vanity upside down. Place the legs onto the corners as shown above.



3. Install the 16 x small screws to lock the legs into position.



4. You can adjust the length of the legs by turning the ends.