







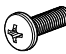



*Thank you for purchasing our latest compost tumbler. This is a brand-new design and you are one of the first to try this product. As always but especially with a new item we would love to hear your feedback about the assembly and the use of this product. Please send your feedback to [info@mazeproducts.com.au](mailto:info@mazeproducts.com.au)*

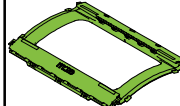
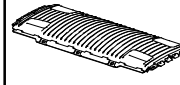


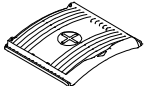
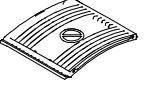
The following instructions will detail how to assemble the Maze Compost Tumbler. If you have any problems during the assembly, feel free to contact our office during office hours.


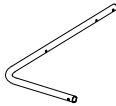
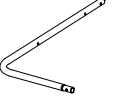
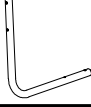
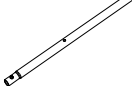


**Visit our website to watch an instructional video on the assembly process.**

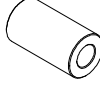
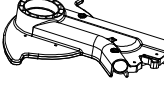

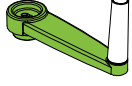
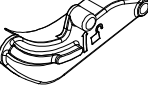
If you encounter **missing or broken parts**, please visit our website and click on the spare parts link (under Products heading) to order the parts.

# INCLUDED COMPONENTS



PART	PART NUMBER	QTY	DESCRIPTION
	GAA	4	SNAP FASTENER
	GAB	2	BUTTON HEAD SOCKET SCREW M6x80
	GAC	1	BUTTON HEAD SOCKET SCREW M6x60
	GAI	3	BUTTON HEAD SOCKET SCREW M6x35
	GAJ	21 +2	PAN HEAD SCREW M5x16
	GAD	2	WASHER LARGE M6
	GAE	6	NUT NYLOC M6
	GAG	21 +2	NUT FLANGED M5

PART	PART NUMBER	QTY	DESCRIPTION
	GA	1	DOOR SURROUND
	GB	6	PANEL
	GC	1	DIVIDER
	GD	2	END CAP
	GE	1	DOOR "ADD" 4 VENTS PRE-ASSEMBLED VENT PART GS
	GF	1	DOOR "DON'T ADD"

PART	PART NUMBER	QTY	DESCRIPTION
	GG	1	AXLE CHS 25x1.2mm
	GH	1	LEG FEMALE CHS 25x1.2mm
	GI	2	LEG MALE CHS 25x1.2mm
	GJ	1	LEG CORNER CHS 25x1.2mm
	GK	1	LEG SHORT CHS 25x1.2mm
	GL	2	LEG BRACE 5mm ROD
	GM	1	STAND CORNER NO GEAR

PART	PART NUMBER	QTY	DESCRIPTION
	GN	1	RATCHET BUSH
	GO	1	STAND CORNER GEAR
	GP	1	GEAR
	GQ	1	CRANK ARM HANDLE PRE-ASSEMBLED HANDLE PART GT
	GR	1	RATCHET

## TOOLS PROVIDED:

	RING SPANNER 8MM / 10 MM
	4MM ALLEN KEY / PHILIPS SCREWDRIVER

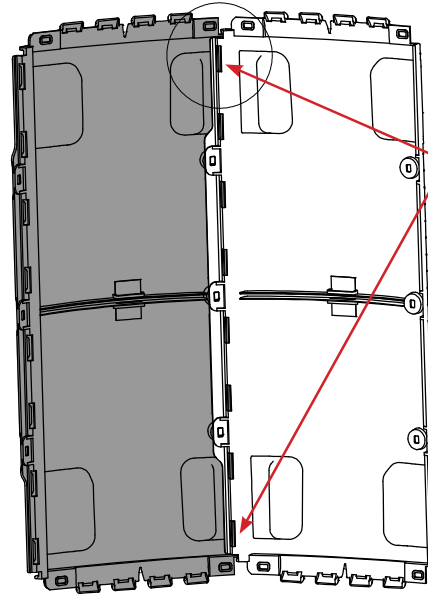
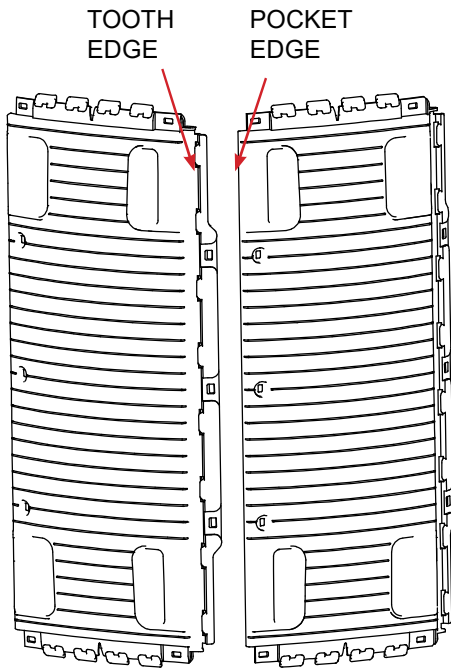
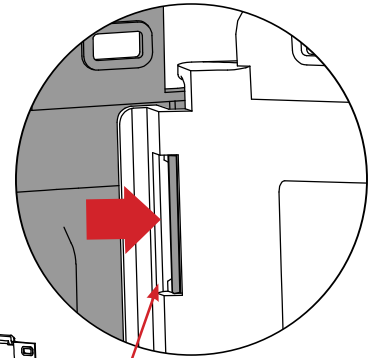
THESE INSTRUCTIONS SUGGEST THE BEST WAY TO POSITION THE PARTS AND BARREL.  
PLEASE FOLLOW AS PER THE DIAGRAMS

## STEP 1

EACH PANEL HAS A TOOTH EDGE AND A POCKET EDGE

TO CONNECT THE PANELS - OVERLAP THE POCKET  
EDGE OF ONE PANEL OVER THE TOOTH EDGE OF THE  
OTHER

THEN SLIDE TOOTH EDGE INTO THE POCKET EDGE

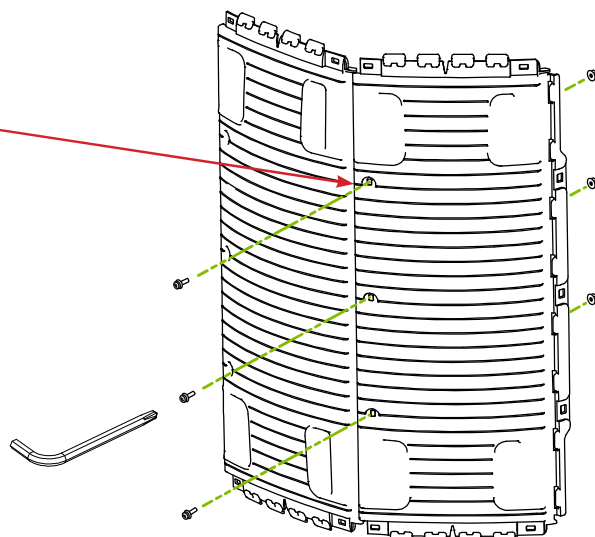
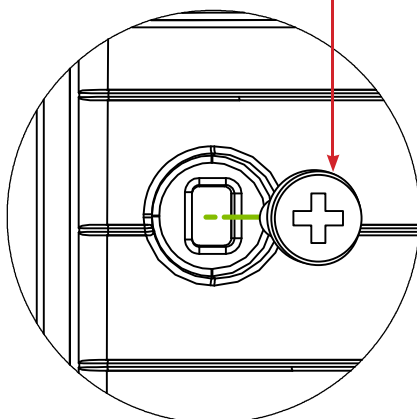


ENSURE EACH TOOTH  
ON THE TOOTH EDGE IS  
FIT INTO ITS POCKET

YOU SHOULD SEE THIS  
IN THE SLOT

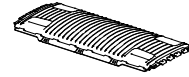
## STEP 2

PLACE SCREWS THROUGH HOLES  
FROM THE OUTSIDE AND TIGHTEN  
NUTS ON THE INSIDE.  
(USE SCREW DRIVER TOOL AND  
SPANNER IF REQUIRED)

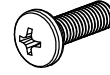


# STEP 3

JOIN REMAINING PANELS TOGETHER AS PER STEP 2



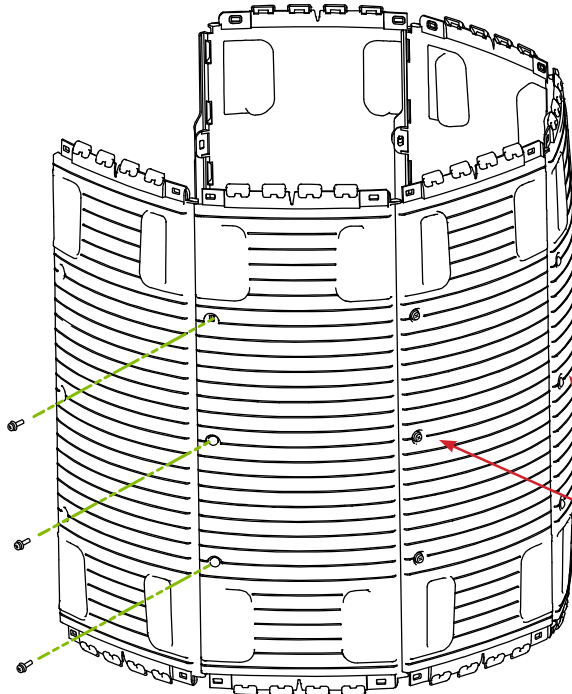
**GB** x 4



**GAF** x 12



**GAG** x 12

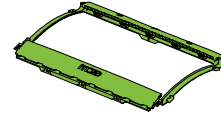


3 x SCREW & NUT PER PANEL JOINT

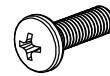
# STEP 4

ATTACH DOOR SURROUND TO ONE SIDE

SECURE WITH 3 X SCREW & NUT



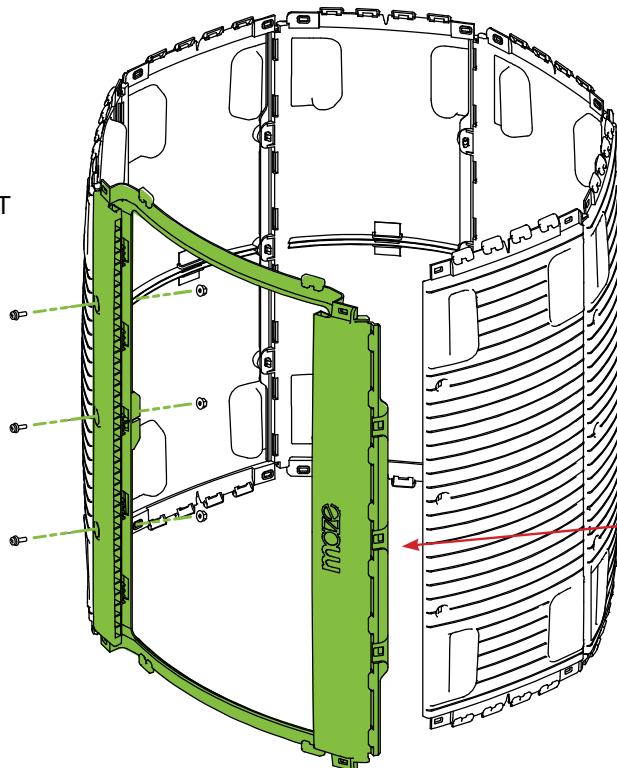
**GA** x 1



**GAF** x 3



**GAG** x 3



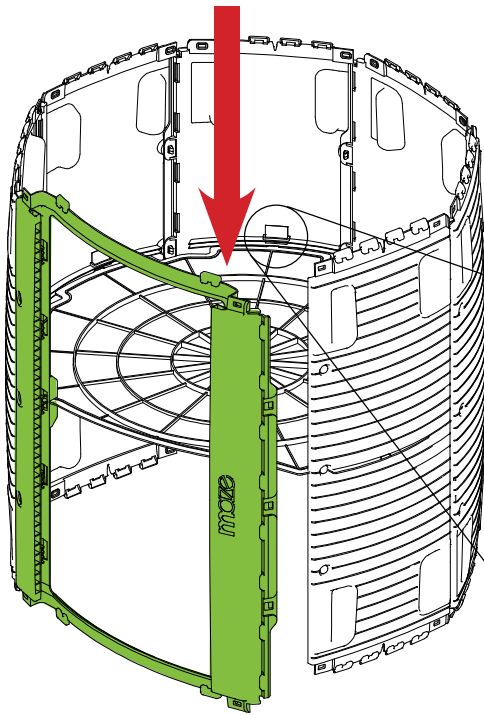
LEAVE A GAP BETWEEN DOOR SURROUND AND LAST PANEL

# STEP 5

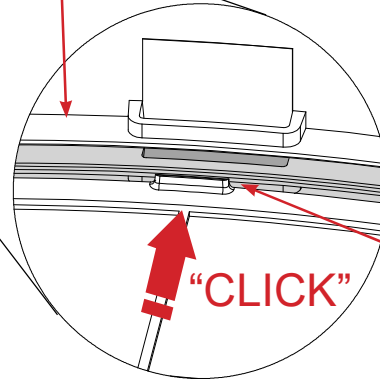
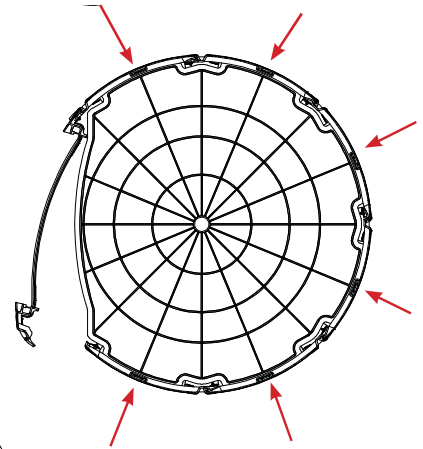
INSERT DIVIDER INSIDE BARREL



**GC x 1**



INSERT THE DIVIDER INTO THE GROOVE AT THE CENTER OF EACH PANEL. (x6)

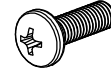


THERE IS A CLIP FEATURE THAT NEEDS TO CLICK INTO THE GAP IN THE PANEL GROOVE. (x6 PLACES)

# STEP 6

CLIP DOOR SURROUND TO REMAINING PANEL

SECURE WITH 3 X SCREWS & NUTS

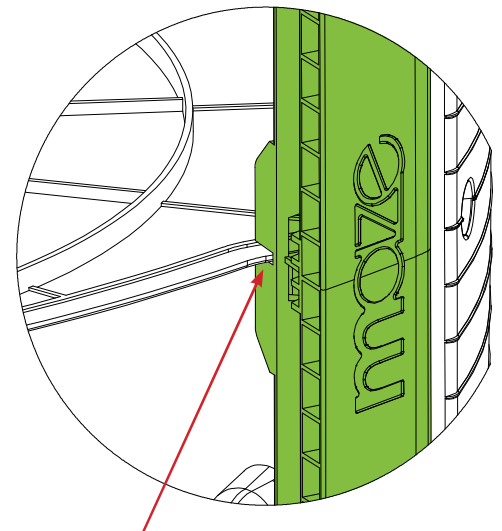
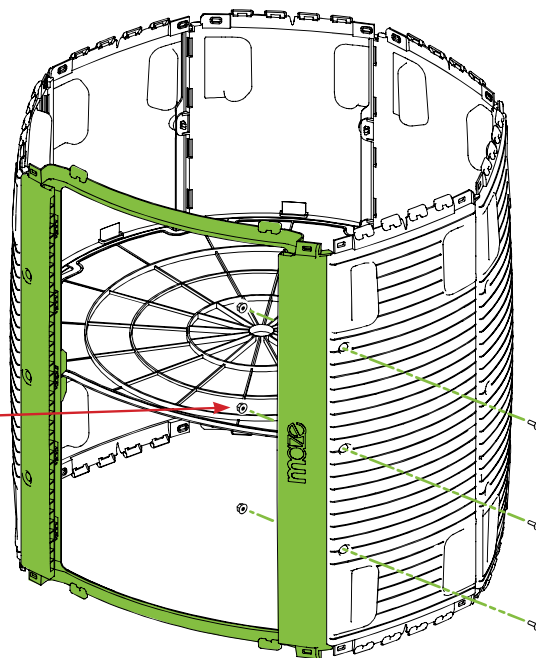
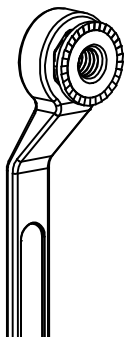


**GAF x 3**



**GAG x 3**

TIP: FOR MIDDLE SCREW HOLD THE NUT IN THE END OF THE RING SPANNER FOR EASIER ASSEMBLY



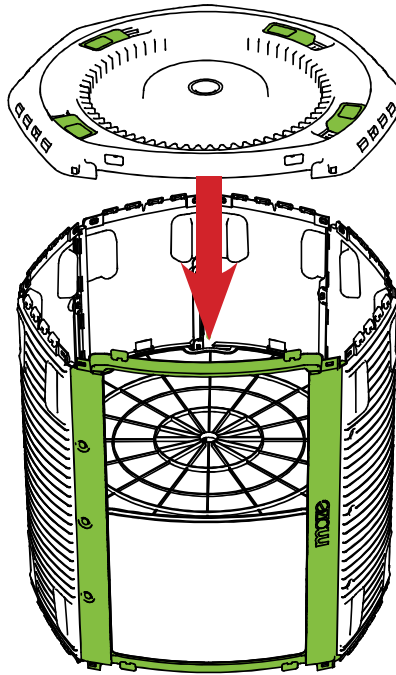
ENSURE DIVIDER IS CLIPPED INTO ALL PANELS INCLUDING BEING BETWEEN THE GUIDES ON THE DOOR SURROUND

# STEP 7



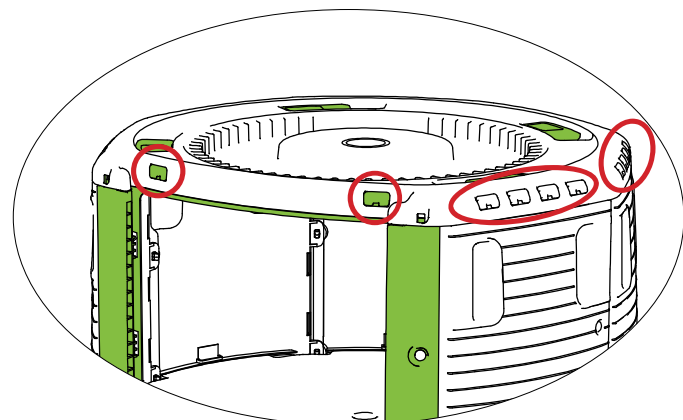
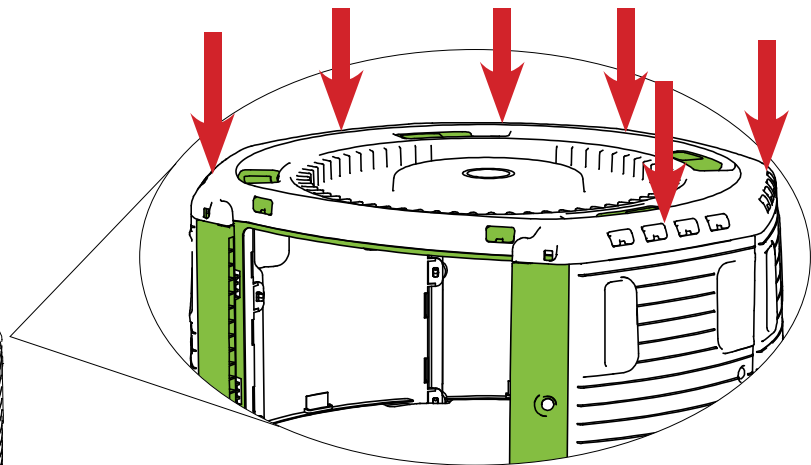
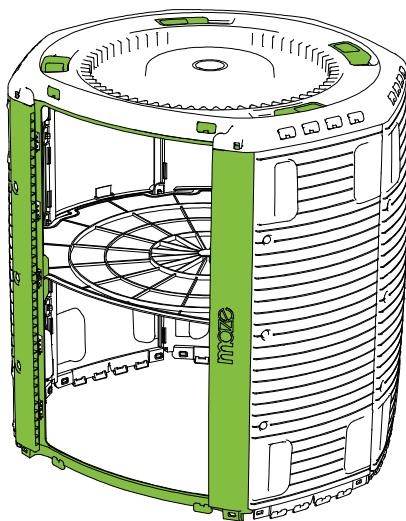
GD x 1

PLACE END CAP ON TOP  
AND PUSH DOWN TO CLIP  
INTO SIDE PANELS



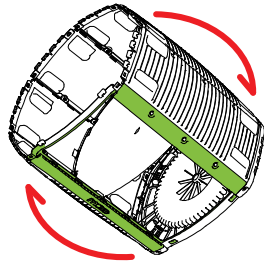
TIP: YOU MAY FIND IT  
EASIER IF BARREL IS ON  
THE GROUND AND USE  
SOME BODY WEIGHT TO  
PUSH DOWN

FIRMLY PUSH DOWN ON  
EACH EDGE TO ENSURE  
PANELS ARE CLIPPED IN

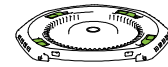
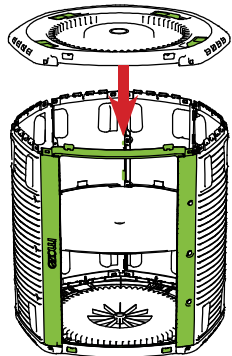


CHECK ALL PANELS ARE SECURELY  
ENGAGED WITH THE END CAP.  
ALL TABS SHOULD SIT FLUSH INTO THE  
HOLES IN THE ENDCAP

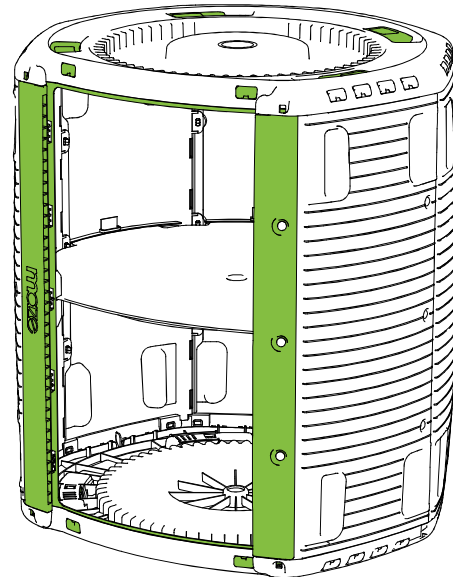
# STEP 8



CAREFULLY FLIP BARREL  
AND REPEAT STEP 7 FOR  
OTHER END CAP



**GD x 1**

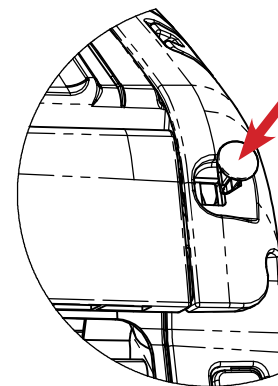
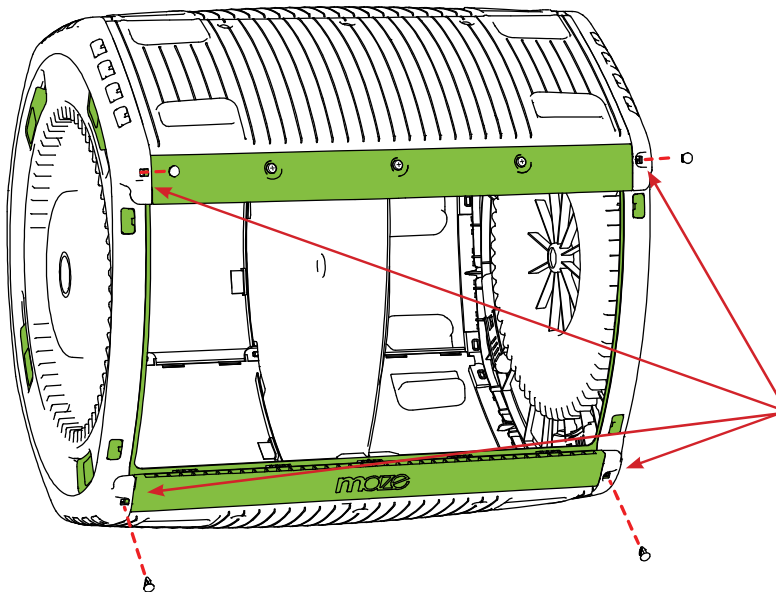


CHECK ALL PANELS ARE SECURELY  
ENGAGED WITH THE END CAP.  
ALL TABS SHOULD SIT FLUSH INTO  
THE HOLES IN THE ENDCAP

# STEP 9



**GAA x 4**



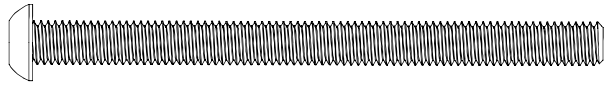
INSERT 4 SNAP CLIP  
INTO CORNER HOLES AS  
SHOWN IN DIAGRAM



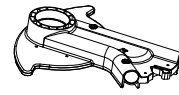
ENSURE SNAP CLIPS ARE  
FULLY INSERTED

# STEP 10

NOTE:  
4MM ALLEN KEY REQUIRED



**GAB x 2**



**GO x 1**



**GP x 1**



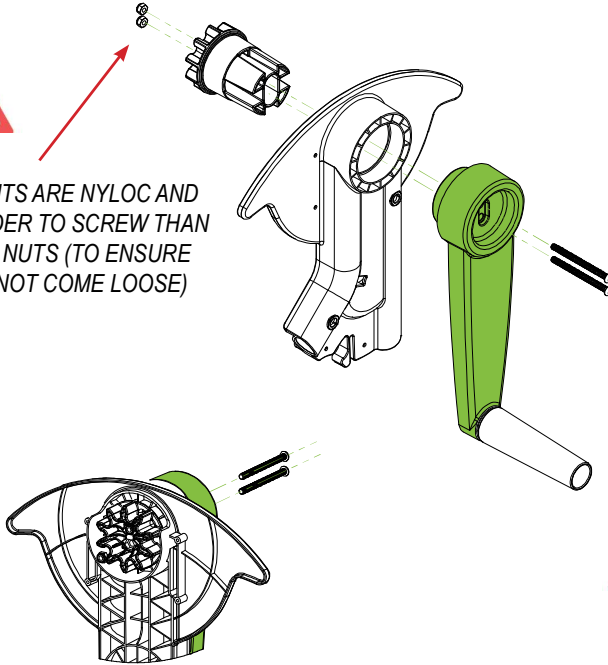
**GQ x 1**



**GAE x 2**



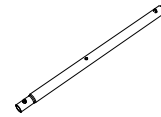
THESE NUTS ARE NYLOC AND ARE HARDER TO SCREW THAN REGULAR NUTS (TO ENSURE THEY DO NOT COME LOOSE)



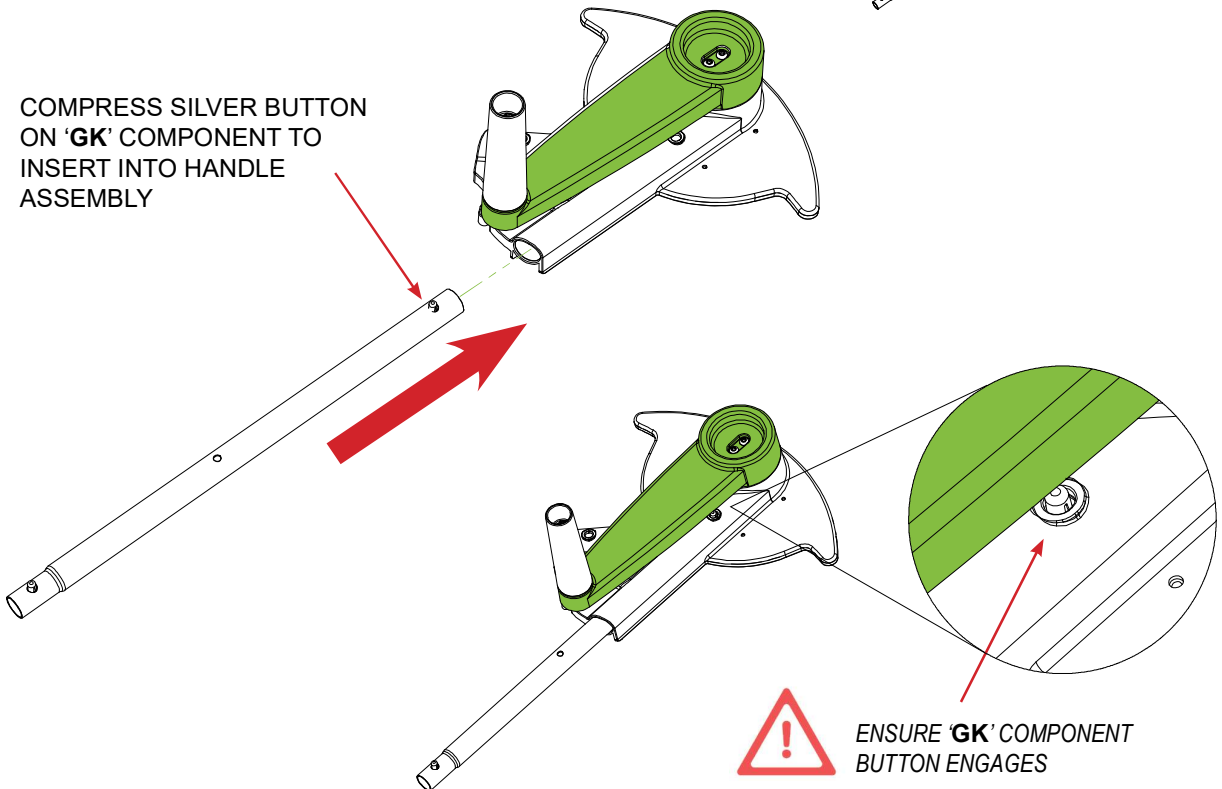
CHECK THAT HANDLE "GQ" ROTATES FREELY IN THE HOUSING "GO" BEFORE PROCEEDING

# STEP 11

COMPRESS SILVER BUTTON ON 'GK' COMPONENT TO INSERT INTO HANDLE ASSEMBLY



**GK x 1**

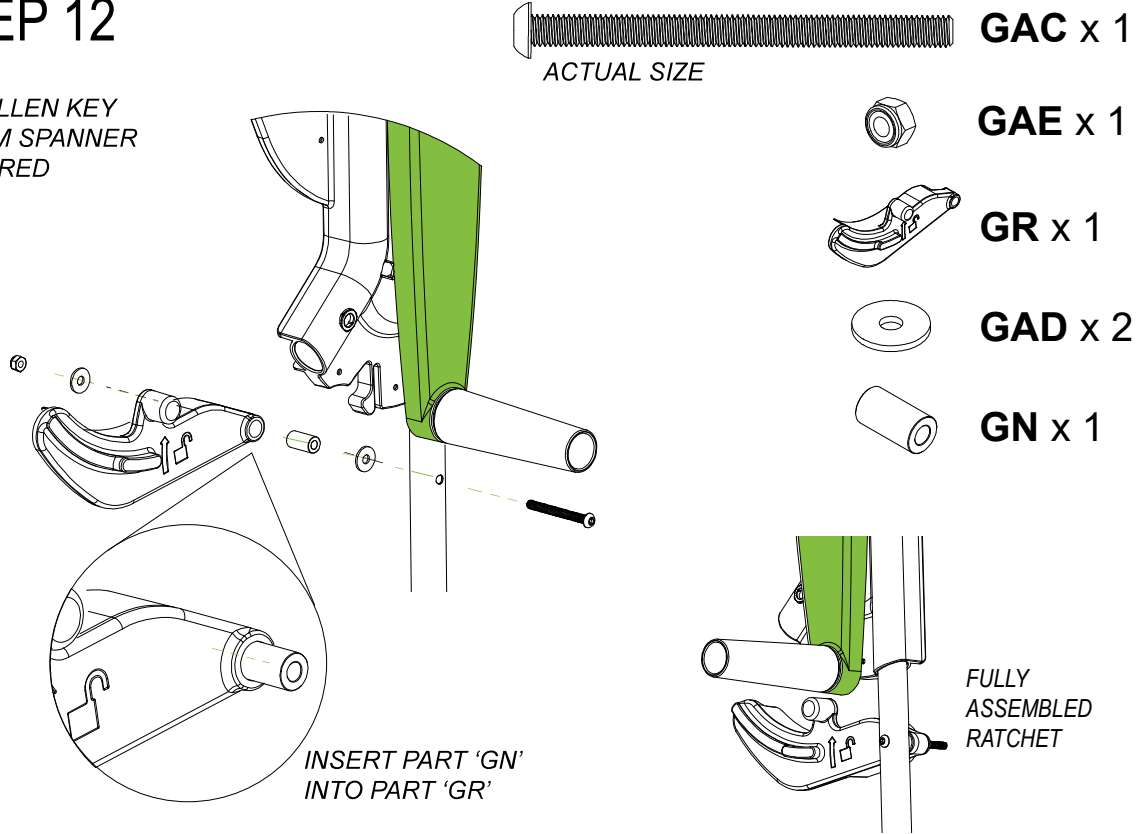


ENSURE 'GK' COMPONENT BUTTON ENGAGES



# STEP 12

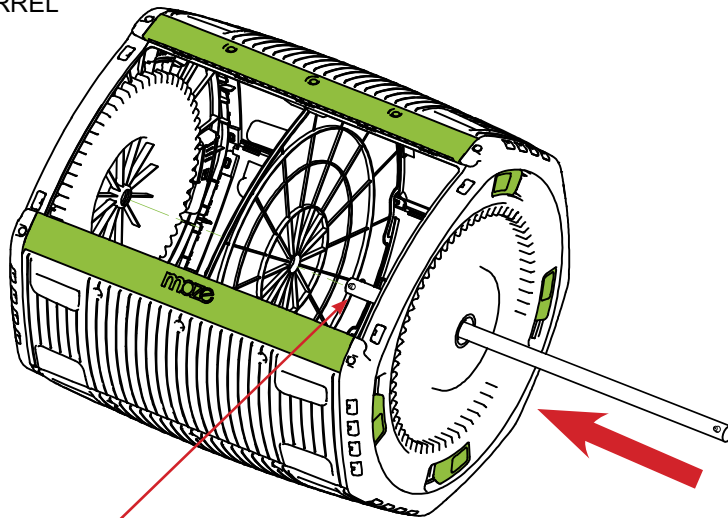
NOTE:  
4MM ALLEN KEY  
& 10MM SPANNER  
REQUIRED



# STEP 13

**GG x 1**

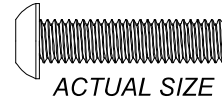
SLIDE AXLE INTO BARREL  
ASSEMBLY



TIP: COMPRESS SILVER  
BUTTON AS IT'S PUSHED  
THROUGH THE HOLE IN  
EACH PART

# STEP 14

NOTE:  
4MM ALLEN KEY  
& 10MM SPANNER  
REQUIRED

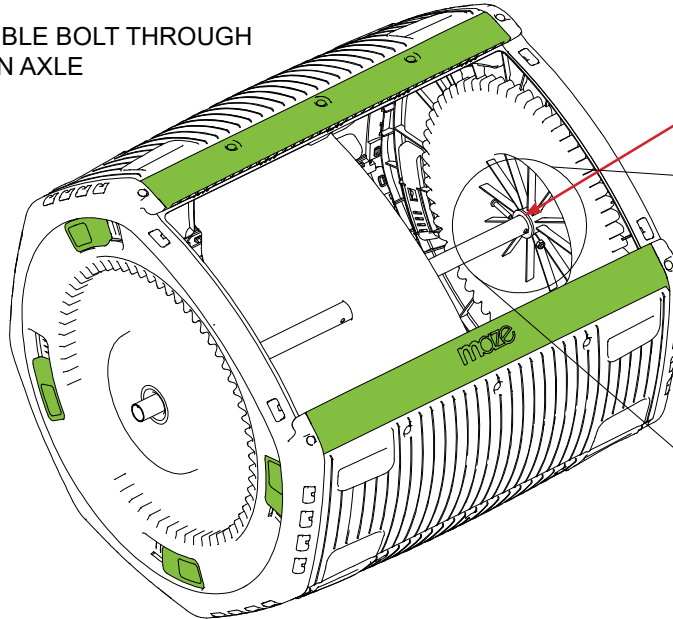


**GAI x 1**

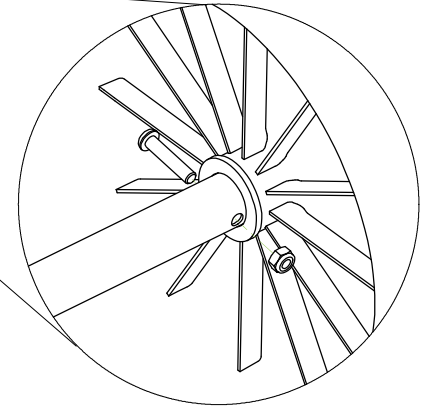


**GAE x 1**

ASSEMBLE BOLT THROUGH  
HOLE IN AXLE

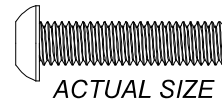


IMPORTANT: BOLT MUST  
BE ASSEMBLED ON THE  
SIDE WHERE THE HANDLE  
ASSEMBLY WILL BE LOCATED



# STEP 15

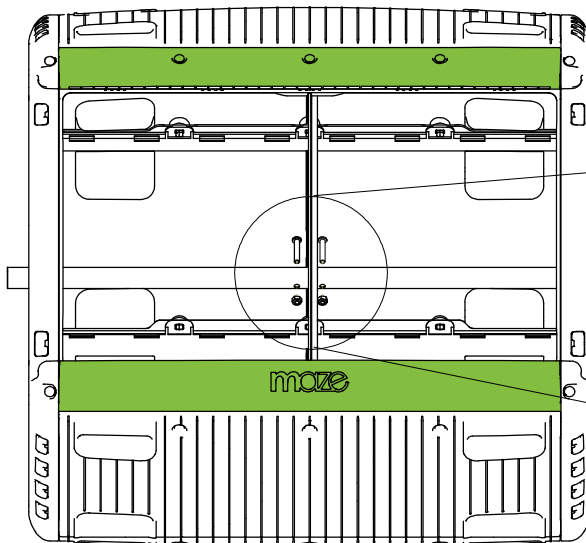
NOTE:  
4MM ALLEN KEY  
& 10MM SPANNER  
REQUIRED



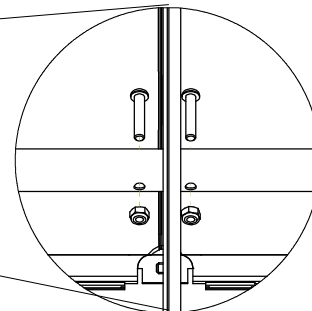
**GAI x 2**



**GAE x 2**

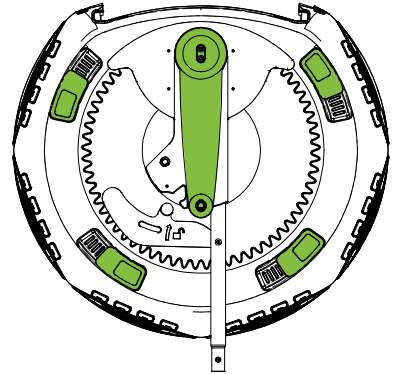


ASSEMBLE BOLTS THROUGH  
HOLES IN AXLE EITHER SIDE  
OF THE DIVIDER

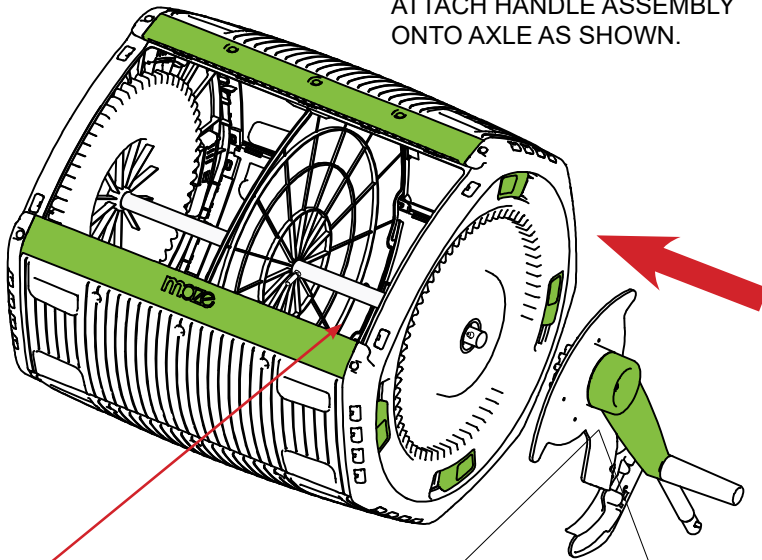


# STEP 16

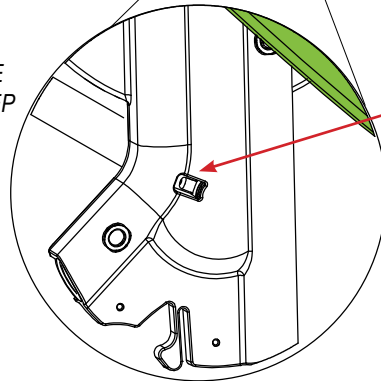
ATTACH HANDLE ASSEMBLY  
ONTO AXLE AS SHOWN.



COG "GP" AND  
RATCHET "GR"  
SHOULD FIT INTO  
THE GEAR TEETH  
ON THE BARREL



IMPORTANT: HANDLE MUST  
BE ASSEMBLED ON THE SIDE  
WHERE THE BOLT FROM STEP  
14 IS LOCATED



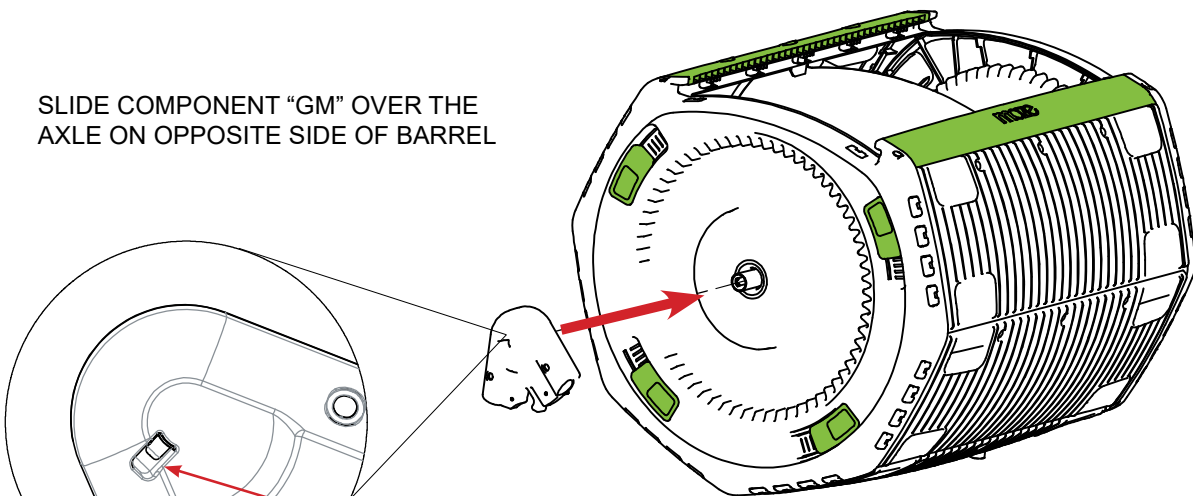
ENSURE SILVER BUTTON ON  
AXLE IS ENGAGED INSIDE  
THIS HOLE

# STEP 17



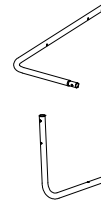
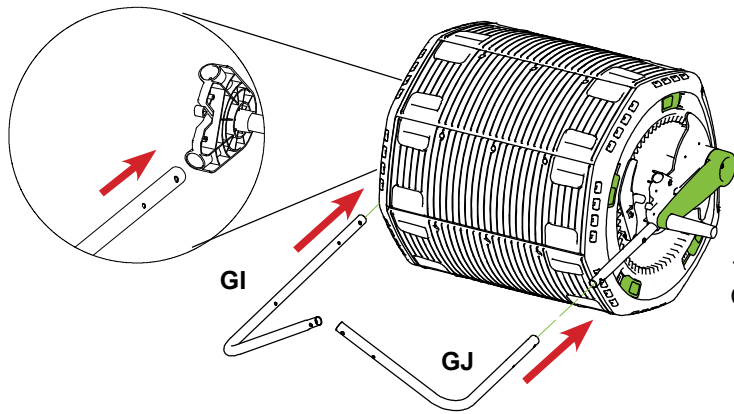
GM x 1

SLIDE COMPONENT "GM" OVER THE  
AXLE ON OPPOSITE SIDE OF BARREL



ENSURE AXLE  
BUTTON ENGAGES

# STEP 18

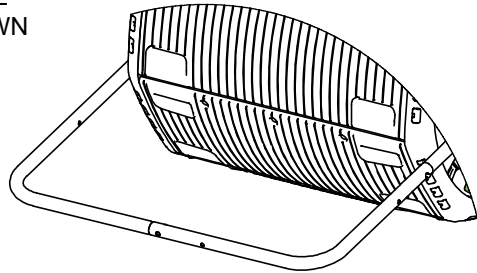
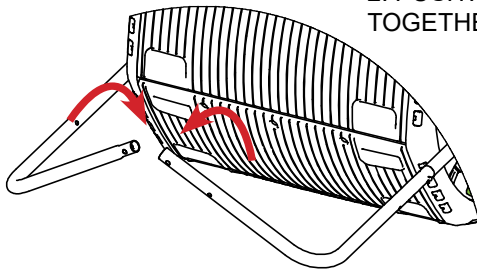


**GI x 1**

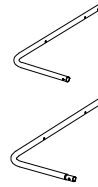
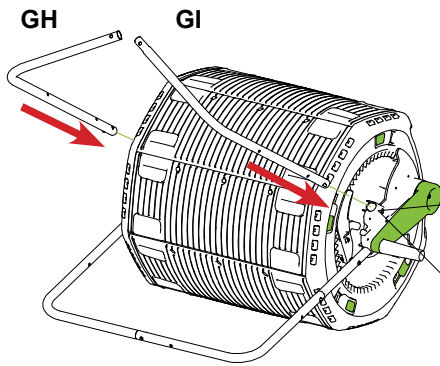
**GJ x 1**

1. INSERT BOTH LEG COMPONENTS AS SHOWN

2. PUSH AND ROTATE TOGETHER AS SHOWN



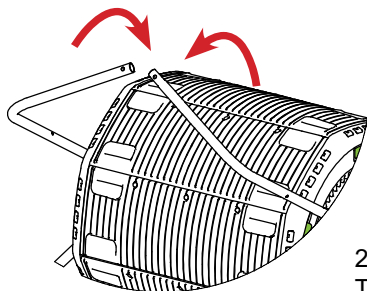
# STEP 19



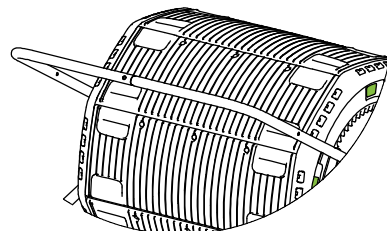
**GH x 1**

**GI x 1**

1. INSERT BOTH LEG COMPONENTS AS SHOWN

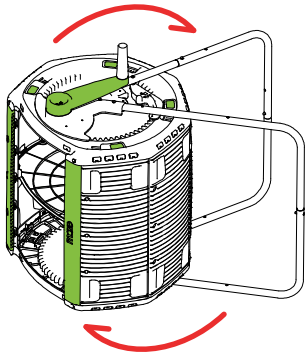


2. PUSH AND ROTATE TOGETHER AS SHOWN

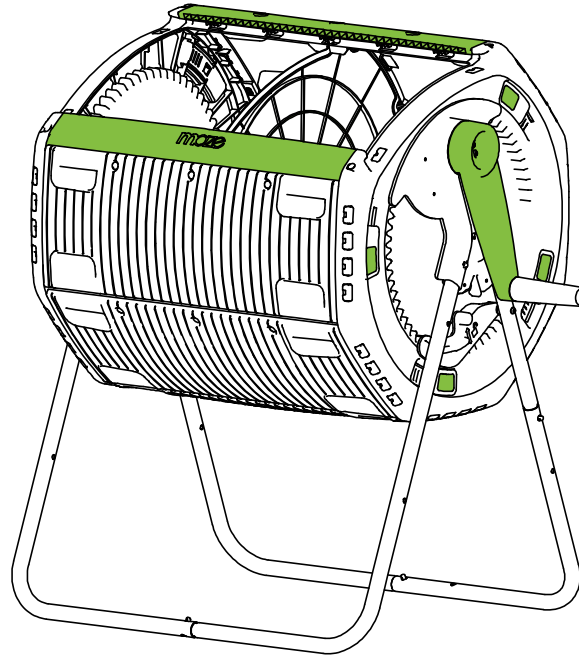


# STEP 20

CAREFULLY ROTATE AND STAND COMPOSTER UPRIGHT

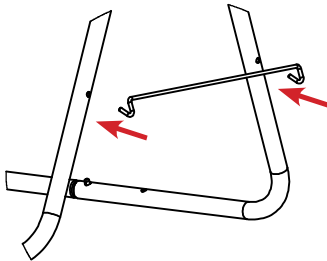


WARNING: WHEN LIFTING THE TUMBLER - BEWARE OF PINCH POINTS - AS THE TUMBLER MAY ROTATE AND CATCH YOUR FINGERS

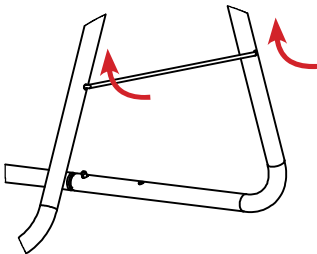


# STEP 21

 **GL x 2**

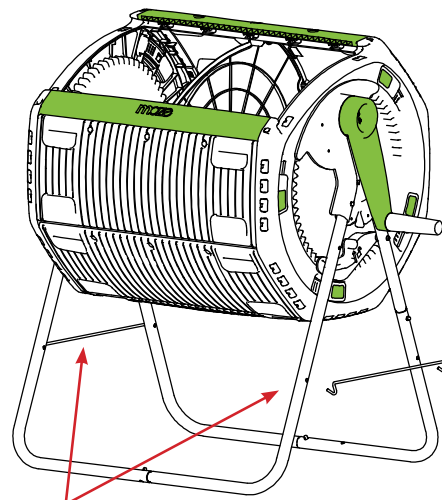


1. INSERT ENDS OF LEG BRACE INTO HOLE IN EACH LEG



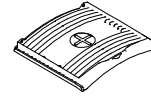
2. ROTATE LEG BRACE UP INTO HOLES SO THAT HORIZONTAL BAR SITS FLUSH AGAINST LEGS

3. REPEAT WITH SECOND BRACE AT OTHER END OF STAND

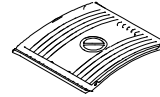


ENSURE BOTH LEG BRACES ARE FULLY INSERTED

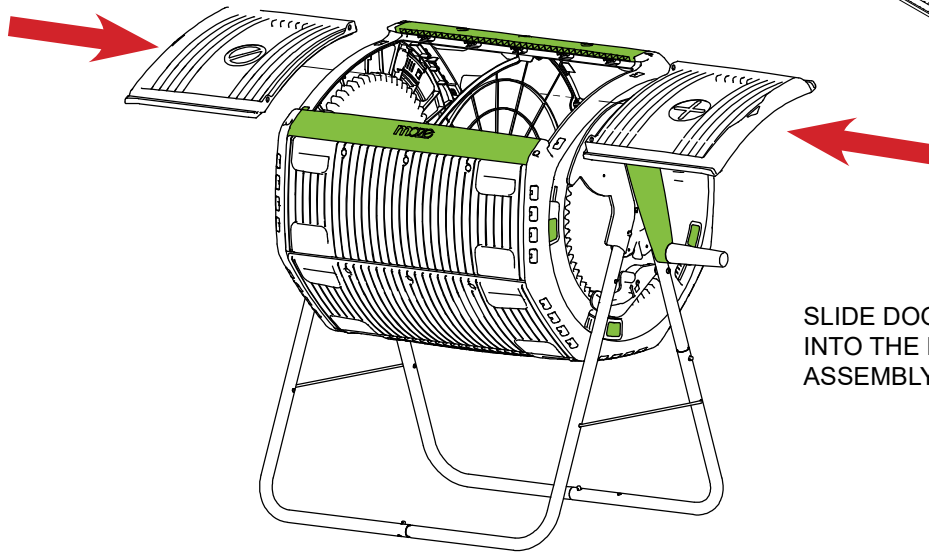
# STEP 22



**GE x 1**



**GF x 1**



SLIDE DOOR COMPONENTS INTO THE MAIN BARREL ASSEMBLY AS SHOWN

## ASSEMBLY IS COMPLETE

### FEATURES:

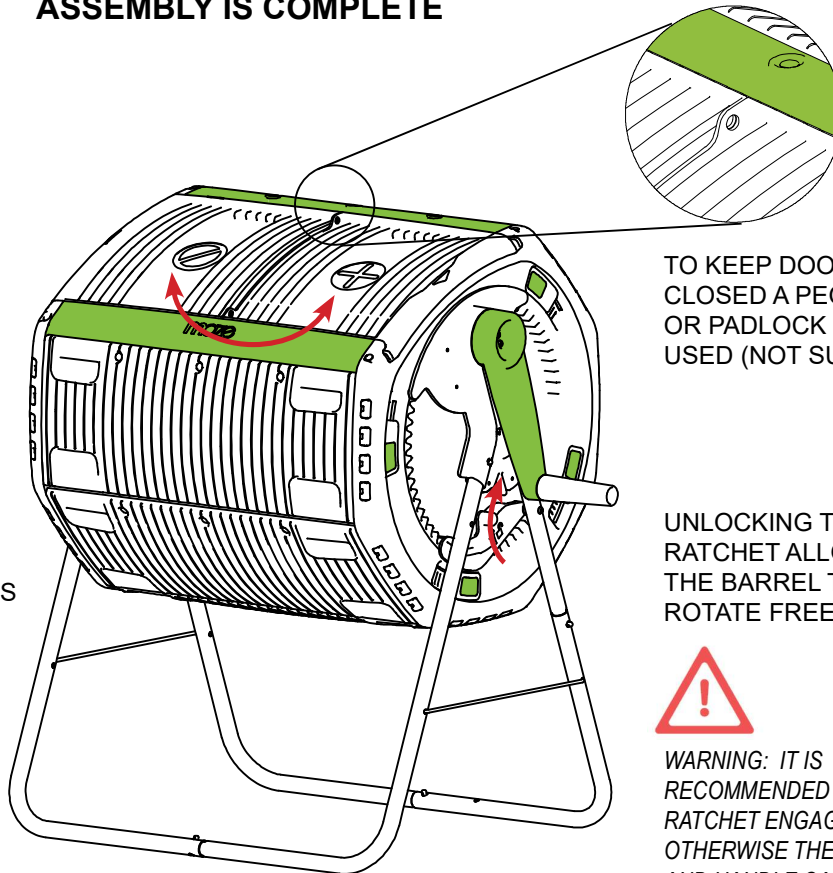


SLIDING DOORS ARE INTERCHANGEABLE



INTEGRATED AIR VENTS CAN BE OPENED OR CLOSED.

TIP: IF MIXTURE IS TOO WET IT IS RECOMMENDED TO OPEN VENTS



TO KEEP DOOR CLOSED A PEG, CLIP OR PADLOCK CAN BE USED (NOT SUPPLIED)



UNLOCKING THE RATCHET ALLOWS THE BARREL TO ROTATE FREELY

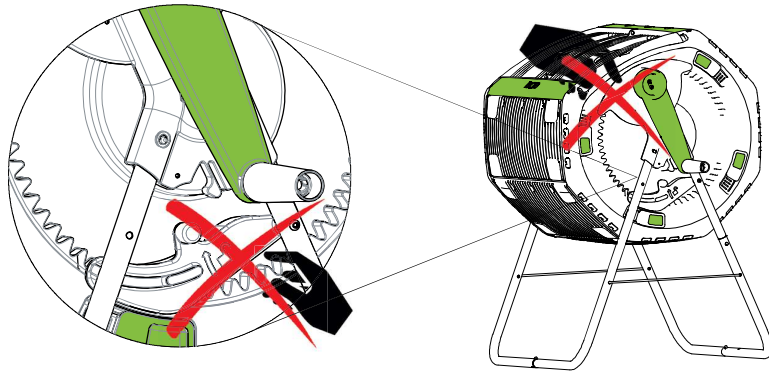


**WARNING:** IT IS RECOMMENDED TO KEEP RATCHET ENGAGED AS OTHERWISE THE BARREL AND HANDLE CAN SPIN BACK AND CAUSE INJURY.

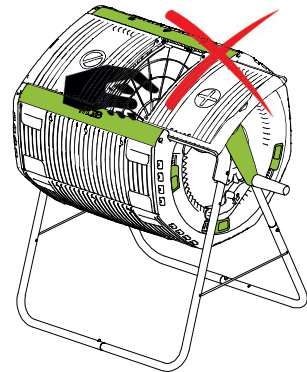
# WARNINGS



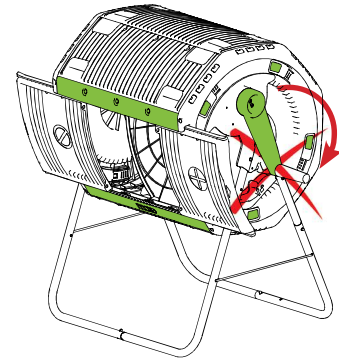
WARNING:  
BEWARE OF CATCHING  
FINGERS IN GEARS



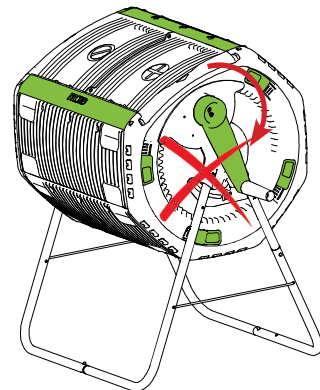
WARNING:  
BEWARE OF CATCHING FINGERS IN DOORS



WARNING:  
DO NOT ROTATE BARREL WITH DOORS OPEN



WARNING:  
WHEN RATCHET IS UNLOCKED, STAND CLEAR  
OF HANDLE AS IT MAY SPIN FAST OR IN THE  
REVERSE DIRECTION



WARNING:  
ALWAYS ENSURE COMPOSTER IS ON DRY, LEVEL GROUND

# How to compost – Brief guide to get you started

## 1. Why compost?

Composting is a noble art with a very long history in sustainable food production. More and more, people are motivated by the desire for healthy soil, healthy food and a smaller environmental footprint. If all food waste was composted, food grown in our farms and gardens would be healthy, tasty and good to eat. Read more at [mazingredients.com.au/composting](http://mazingredients.com.au/composting)

## 2. How to compost

Making compost is just like making a cake. We need the right ingredients in the correct proportions and mixed properly. We also need to get the moisture content and aeration right. But unlike making a cake, we don't have to be too precise about how we mix things.

In simple terms, we are managing a balance between stuff that is easy to break down, and stuff that takes a bit longer. This is most easily understood by calling the easy-to-break-down stuff the 'green', and the harder-to-break-down stuff, the 'brown'. A 50/50 mixture of green to brown is a great place to start for successful composting. The ratio can be adjusted if compost is too wet or too dry.

### Simple steps

1. Collect kitchen scraps in a kitchen caddy or indoor composter. It will speed things up if you chop this waste where possible.
2. Add the kitchen scraps to composter with some 'brown' scraps at similar time frames. Try to chop up or shred the brown waste as well if possible. If using the divided option start by adding to one half only. Use the door with the '+' symbol to remind you which side is being filled.
3. Turn the composter at least 2-3 times a week. When adding waste always give it a few turns.
4. Keep adding until full (or too hard to turn) ensuring to keep the consistency right. Once the first side is full, start filling the other compartment. Make sure to swap the doors so now the 'Ø' door is on the side that you just filled and the '+' is on the empty side.
5. You will know when the 'Ø' side is ready when the contents look and smell like soil. Once it is ready, rotate the opening to the bottom, place a bucket or Compost Cart under and then slide the door open to let the compost fall out. You may need to help it come out by using a trowel to scrape it out
6. Once empty swap the doors around again and start filling the empty side and repeat



## 3. What to compost

Table 1 below gives you an idea of what is green and what is brown. Table two gives you some idea of what else you can / cannot put into a compost. For best results chop or shred greens and browns before adding, and make sure the mix is moist, not wet.



**Table 1. Green and Brown Compost Inputs**

<b>Green</b>	<b>Notes</b>
Green leaves	Good to use
Grass clippings	Great addition when mixed well; can become smelly if not mixed
Green weeds	Avoid putting in seeds or runners
Fruit or vegetable scraps	Good to use
Cut flowers	Good to use but chop up into 100mm lengths before adding
Cooked food	No chunky meat, cheese or very oily wastes (e.g. fine meat or cheese like leftover spaghetti bolognese is ok)
Cow, horse, pig, chicken manures (not dog or cat)	Good to use. Dog and cat manures can harbour diseases so best not to use.
Lucerne hay	Good to use
Blood and bone or dynamic lifter	Use only if you have too much 'brown' materials. Sprinkle lightly and make sure everything is kept moist.

<b>Brown</b>	<b>Notes</b>
Brown leaves	Good.
Dead grass or weeds	Good.
Paper and cardboard	Good
Mulch, Sawdust, Hay or Straw	Good to use if you have an imbalance of 'green'.

**Table 2. Do's and Don'ts**

Do not use:	Cooking oil, dog or cat manures, chunky meat or cheese, bones
OK to use:	Egg shells, wood ash, bread, milk or juice past its 'use by' date

Read more at [mzeproducts.com.au/composting](http://mzeproducts.com.au/composting)

#### 4. How to use compost

This is where you get rewarded for your attention to your compost bin. Composting can take anywhere from 8 weeks to 24 weeks to mature and be ready to be applied to your garden.

Compost that you buy from the hardware is usually quite fine because commercial composters screen the material before sale to remove the chunky bits.

You are encouraged to do the same as you will most likely find large particles such as twigs or mango or avocado stones still not broken down. It is a simple process to remove these by hand and put them back into the compost to continue breaking down.

Compost can be surface applied or dug into the soil. If you are applying compost to an established garden or under fruit trees, you really have no choice but to apply it to the surface as you can't easily dig it in. If you are applying compost to your vegetable garden, then you want to dig it in. read more at [mzeproducts.com.au/composting](http://mzeproducts.com.au/composting)

**For more info, FAQs and troubleshooting visit [mzeproducts.com.au/composting](http://mzeproducts.com.au/composting)**