

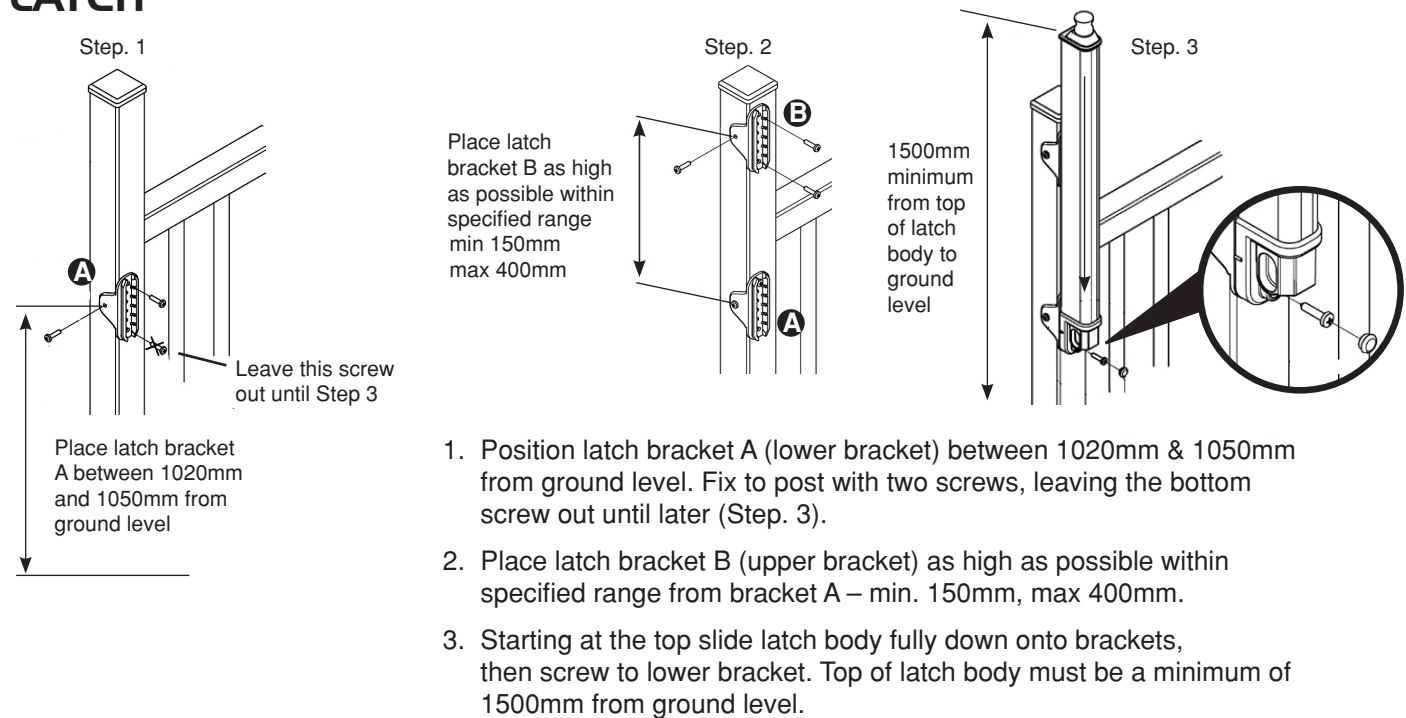
POOL SAFE GATE LATCH

EASY INSTALLATION GUIDE

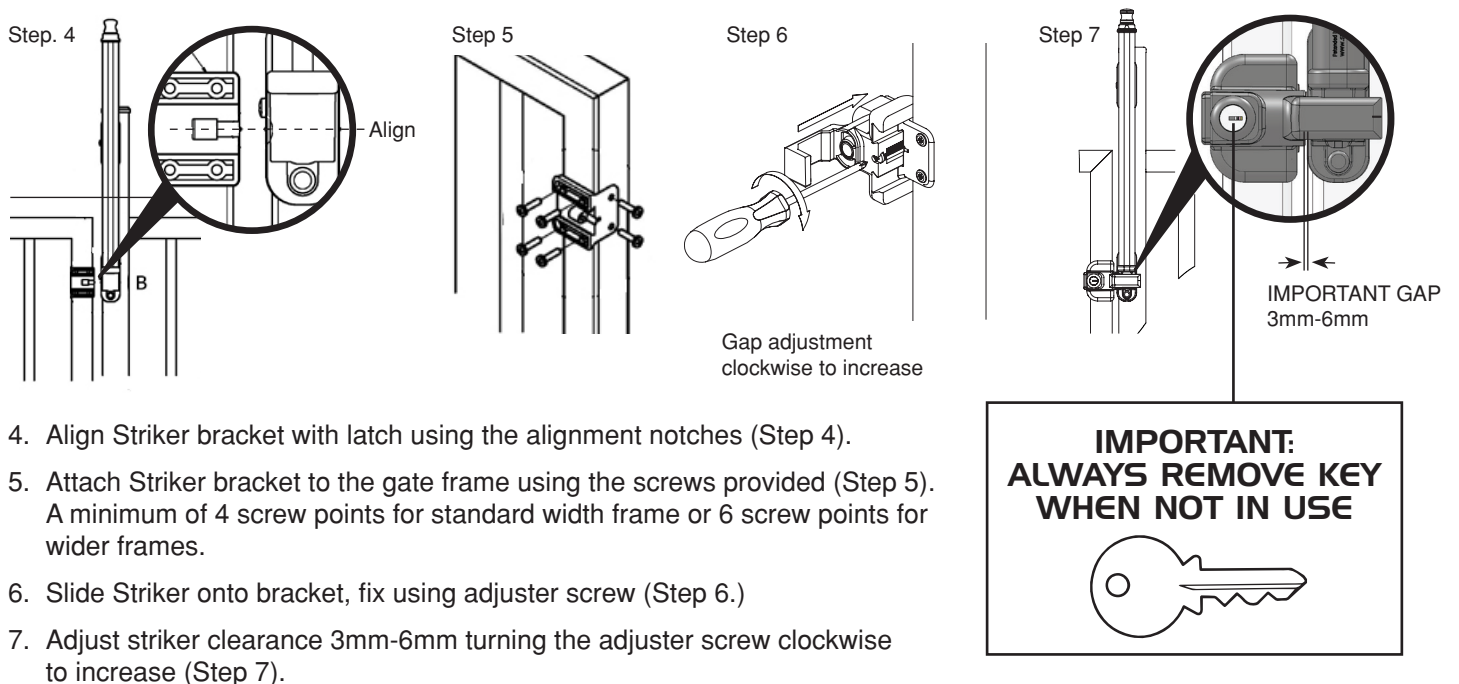
Before installing a pool gate, check with your local Council regarding specific pool fence requirements.

Note: Images may differ slightly from actual product

LATCH



STRIKER



**IMPORTANT:
ALWAYS REMOVE KEY
WHEN NOT IN USE**



HANDLE

Optional handle can be fixed to gate if required.
Do not install below striker bracket.



MAKING WAVES FOR POOL SAFETY

G8SAFE
.com.au