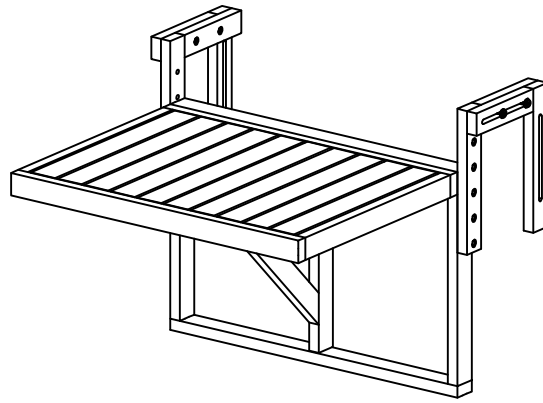
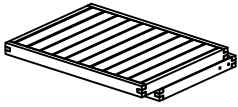


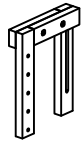
ASSEMBLY INSTRUCTIONS



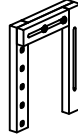
A x1



B x1



C x1



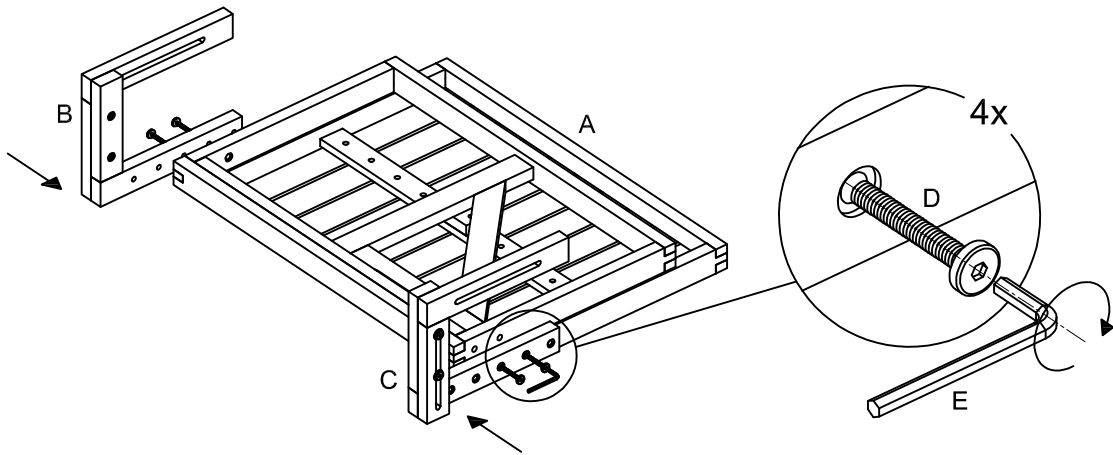
D x4



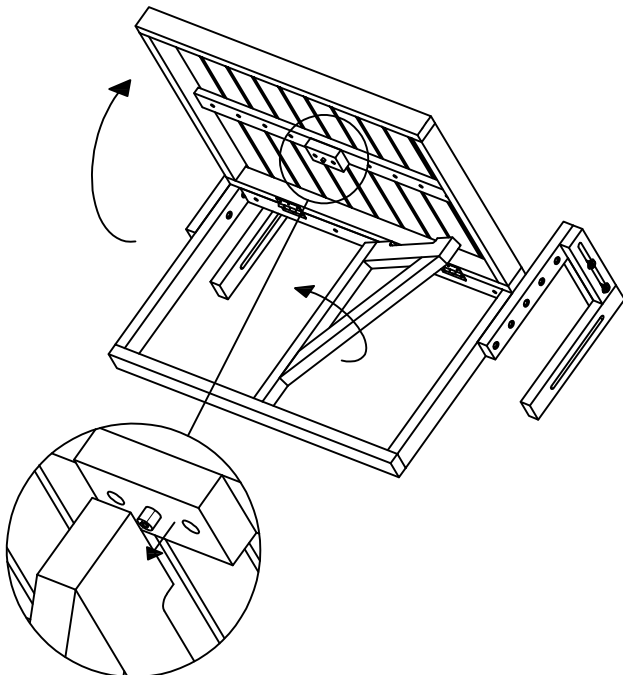
E x1



1



2



3

