



inBuilt.

MODERN SLIDING BARN DOORS

Brochure

www.inbuilt.com.au



inBuilt **MODERN SLIDING BARN DOORS** provide a stylish, pre-finished barn door that requires no painting or edge finishing.

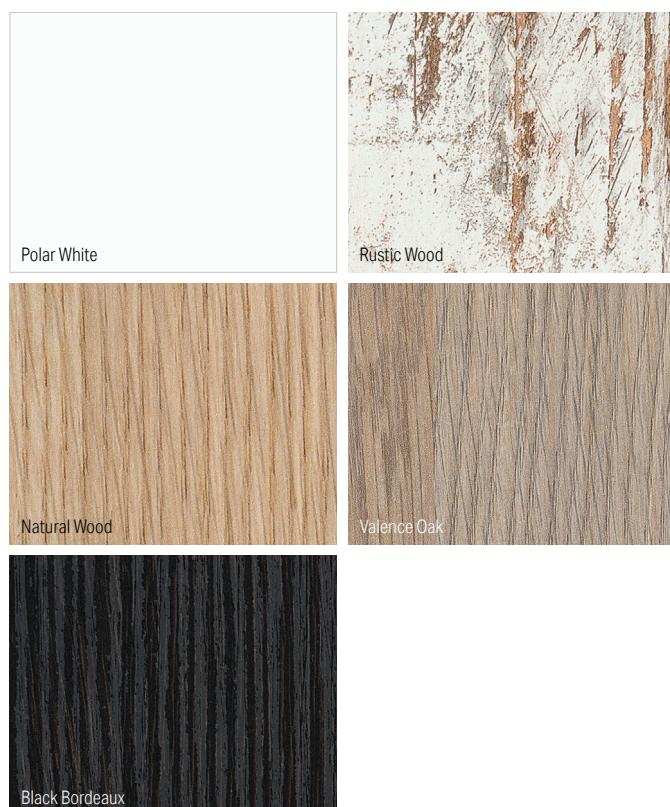
Pre-finished and Ready to Hang

- Easy to install, clean and maintain
- Suitable for internal door applications
- DIY-friendly

Shaker Range

Door Thickness	Door Size	Colour	Item Number
25mm	2100 x 1000mm	Polar White	0153224
25mm	2100 x 1000mm	Natural Wood	0153215
25mm	2100 x 1000mm	Rustic Wood	0153212
25mm	2100 x 1000mm	Valence Oak	0153220
25mm	2100 x 1000mm	Black Bordeaux	0153223

Special Orders Colours



Installation

- Requires separate purchase of track system available at Bunnings Warehouse
- When purchasing your track system, M10 hanging bolts may require cutting for 18mm and 25mm door thickness (hacksaw suitable)
- An alternative option is to purchase 4 x 40mm M10 Bolts for 18mm door, and 4 x 50mm M10 bolts for 25mm door

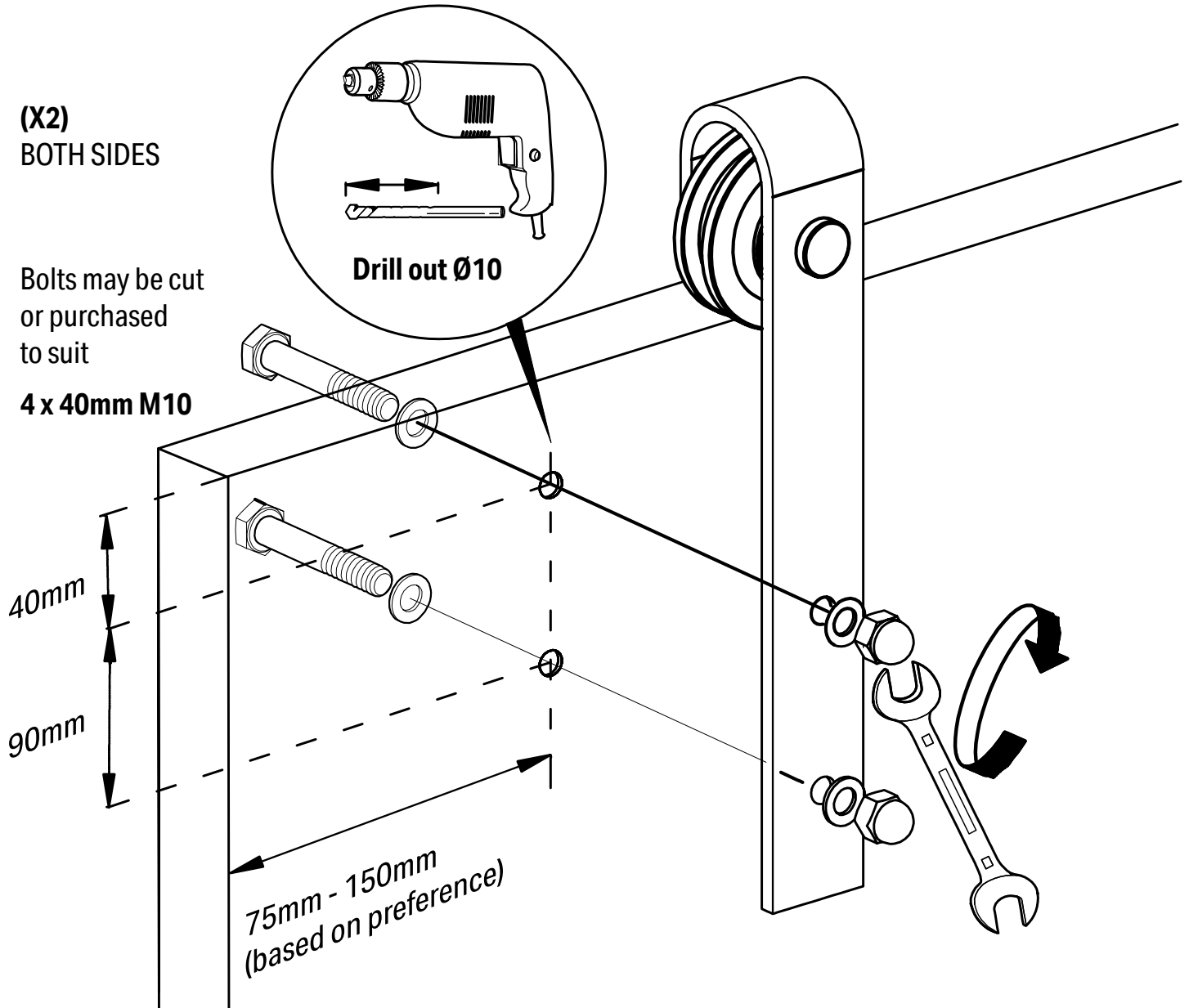
Lead Time

- 7-14 business days for non-stocked items and Special Orders



Shaker

INSTALLATION GUIDELINES



Considerations

- This is a pre-finished door - no painting required
- Suitable for face mount fixing only (no top mount)
- When purchasing your track system, M10 hanging bolts may require cutting for 18mm and 25mm door thickness (hacksaw suitable). Alternatively, purchase 4 x 40mm M10 Bolts for 18mm door and 4 x 50mm M10 bolts for 25mm

WARNING

Due to the variety of barn door tracks available and size variation in floor guides, inBuilt Barn Doors DO NOT have a rebated groove cut out on the bottom.

The builder/homeowner should have the appropriate size rebate cut to suit at time of installation if they wish to choose the groove/rebate system.

May need to purchase a floor guide separately if not offered in the door track kit.

CARE & MAINTENANCE

inBuilt's range of products are manufactured from the highest quality materials and designed to provide years of trouble free service.

inBuilt products are made from Moisture Resistant Medium Density Fibreboard (MR MDF) and Particleboard substrates and as with any wood based panel cannot be made totally waterproof, of which care should be taken to wipe up spills immediately, ensuring the products are not exposed to high or continuous levels of moisture, steam and humidity.

General Cleaning

Step 1. Wipe down using a damp soft cloth containing warm soapy water, followed by drying using a soft or microfibre cloth so as not to leave any residue on the door or panel. If this is sufficient there is no need for any further action.

Step 2. For more stubborn stains, use a good quality streak free glass cleaner as per the manufacturers recommendation. You may also use Methylated Spirit on a soft cloth, using a circular cleaning motion being careful not to rub too hard.

Step 3. Repeat Step 1 - Wipe down using a damp soft cloth containing warm soapy water, followed by drying using a soft or microfibre cloth so as not to leave any residue on the product.

Always ensure that you refer to the recommendations provided by the cleaning product manufacturer before use.

Avoid contact with sharp implements.

NOTE DO NOT use any of the following on inBuilt products: Commercial Cleaning Products, Abrasive Cleaners, Scouring Pads or Abrasive Papers, Acids and Alkalis, Solvents, Thinners, Turpentine (Turps), Ammonia, Bleach, Acetone, Easy-Off BAM!, M.E.K. or any other cleaning agents containing organic solvents or the above mentioned products.

