

STEIN

GEORGIA SHOWER UNIT NEO ANGLE- ACRYLIC INSTRUCTIONS



0324

IMPORTANT!

1. When you receive your Georgia Neo Shower package, please check for any freight damage.
2. If damage has occurred advise your supplier within 8 hours.
3. Do not install any faulty product as this will invalidate later claims.

BEFORE YOU START

1. Stein provides "**Acrylic Pre-Install**" specifications for Build preparation, plumbing, tray and liner specs to ensure all steps have been adhered to prior to this current Acrylic Shower Installation.
2. Read these instructions, familiarise yourself with installation, tools required, and materials used.

HEALTH AND SAFETY



- Unpack glass, stand on soft packing on floor and walls prior to assembly.
- Do not rework glass panels as toughened glass will explode without warning.
- Don't strike an edge or corner of glass as this may explode or be unusable.
- Use two persons where heavy glass lifting is required.
- Wear appropriate protective clothing and eye protection during installation.
- Mark gas, waterpipes & electrical wire positions to ensure these are not touched.

WARRANTY

- This covers faulty goods but not breakages. Visit stein.nz for information.
- Compliance with Acrylic Pre-Install specifications and these instructions are essential for a valid warranty.

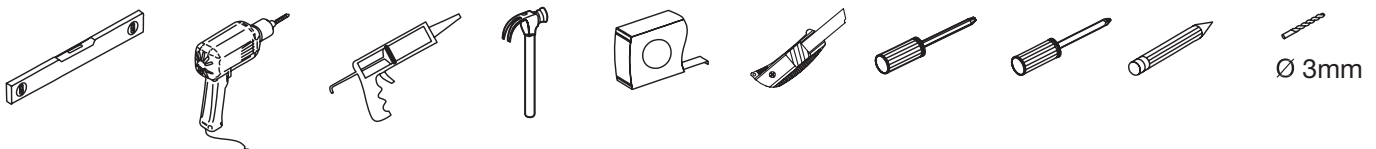
ATTENTION



- The Tray must be installed level as this base affects all shower alignments.
- Walls must be flat and plumb. A variation of 3mm to plumb within the shower height is a range that will enable adjustments to be readily obtained.

Solid fixing of wall channels: A minimum of one(1) stud with outside edge lined up to tray outside. It is the installers responsibility that the installation complies with all council regulations.

TOOLS REQUIRED (NOT SUPPLIED)

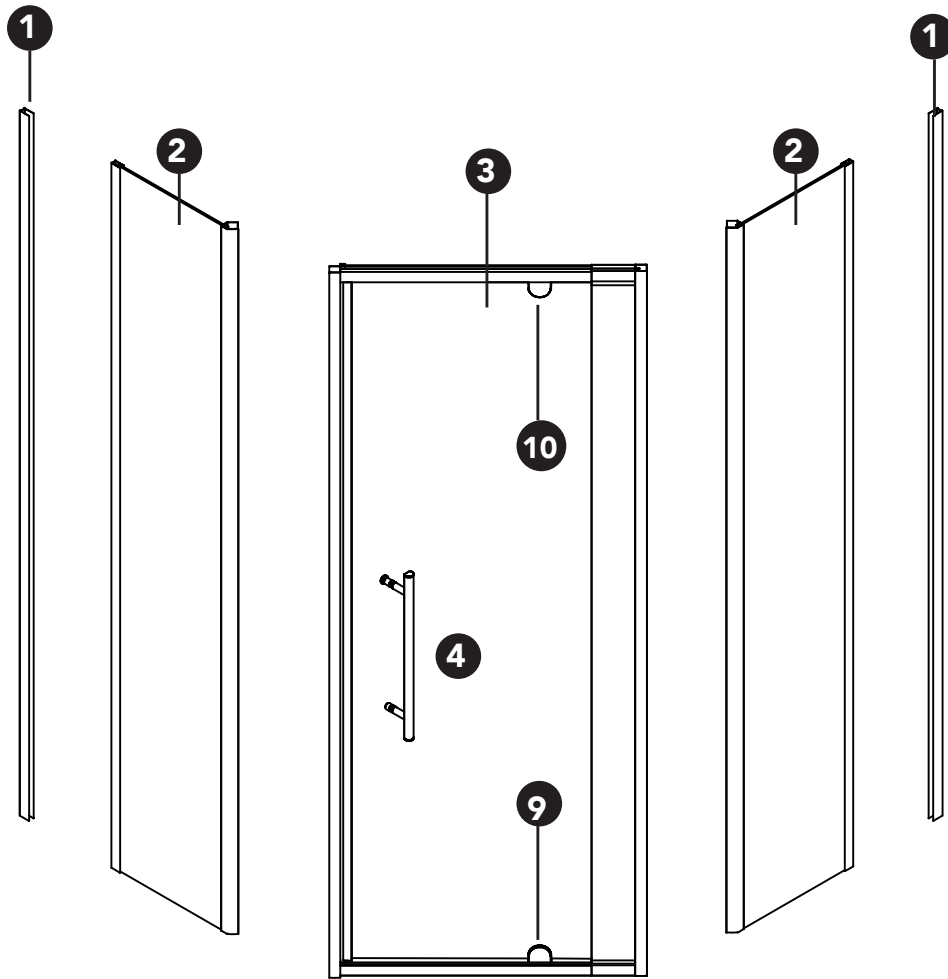


MATERIALS REQUIRED (NOT SUPPLIED)

- Rags and suitable cleaning materials
- Sika Silaflex NG Translucent

WE RECOMMEND A TRADESMAN FAMILIAR WITH THIS TYPE OF INSTALLATION

ASSEMBLY DIAGRAM

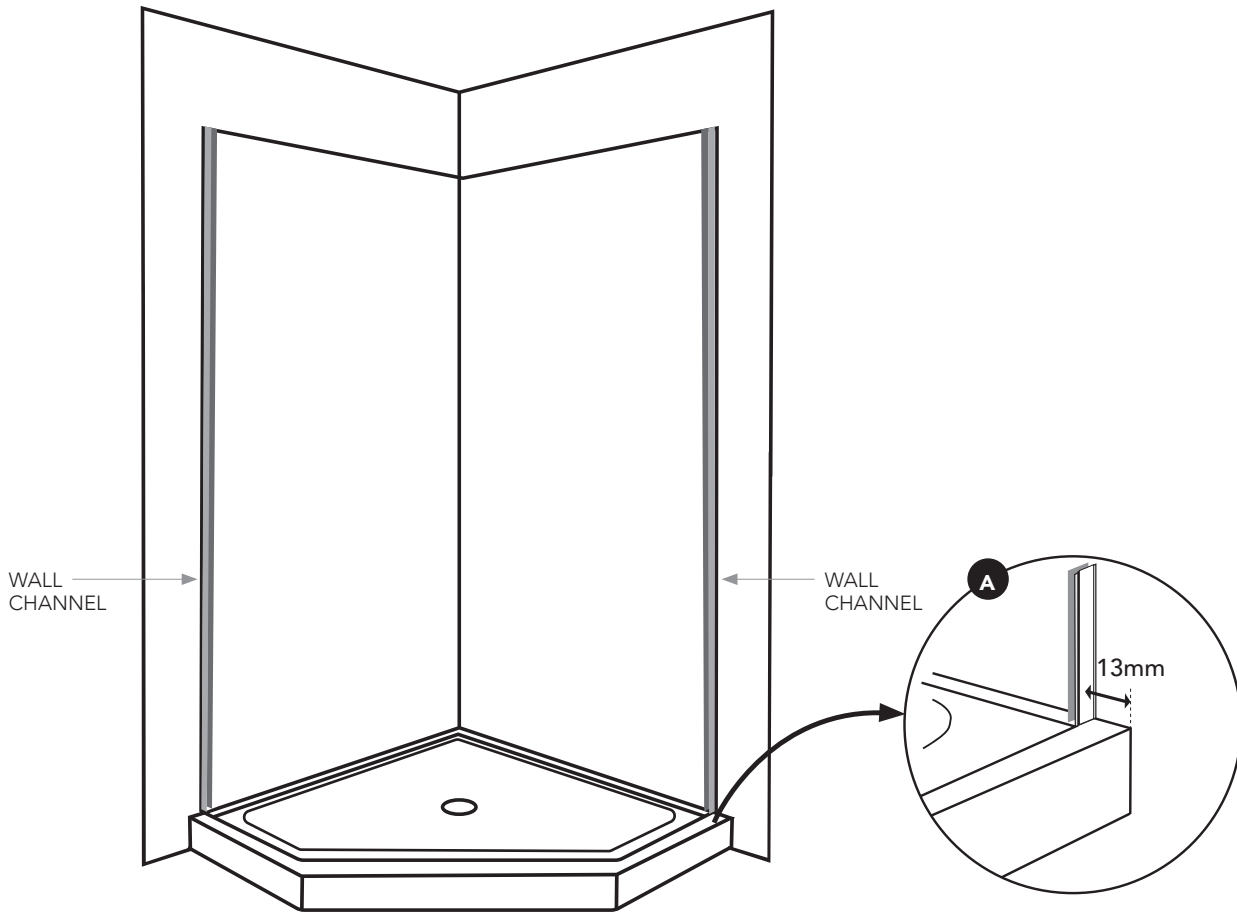


PACKAGE CONTENTS

Before commencing installation, please ensure you have the following components in your package to complete installation.

TICK	REF	DESCRIPTION	QUANTITY	PART NO.
	1	Wall channels	2	
	2	Fixed glass side panels	2	
	3	Door front assembly	1	
	4	Handle set	1	CH BL PAR5049/PAR6633
	5	4x10mm fixed panel screws	15	Screw Pack CH BL PAR7289/PAR8514
	6	Fixed panel screw caps	13	
	7	3.5x35mm wall jamb fixing screws	6	
	8	Wall plugs (concrete)	6	
	9	Pivot block set (1 only)	2	CH BL PAR3243/PAR6640
	10	Pivot cover caps (1 only)	4	PAR2000
	11	Water deflectors (back of door and front of fixed glass)	2	STE2922
	12	Bottom door seal	1	PAR7555

LAYOUT PLAN



IMPORTANT:

Position the wall profiles at 13mm off the Acrylic tray edge (Diagram A). This will allow for walls out of plumb protruding or curving inwards up to 4mm. Greater variations to plumb will require recalculated reduction of Diagram A.

INSTALLATION STEPS: PAGE 4 TO 7

MINIMUM AND MAXIMUM TABLE

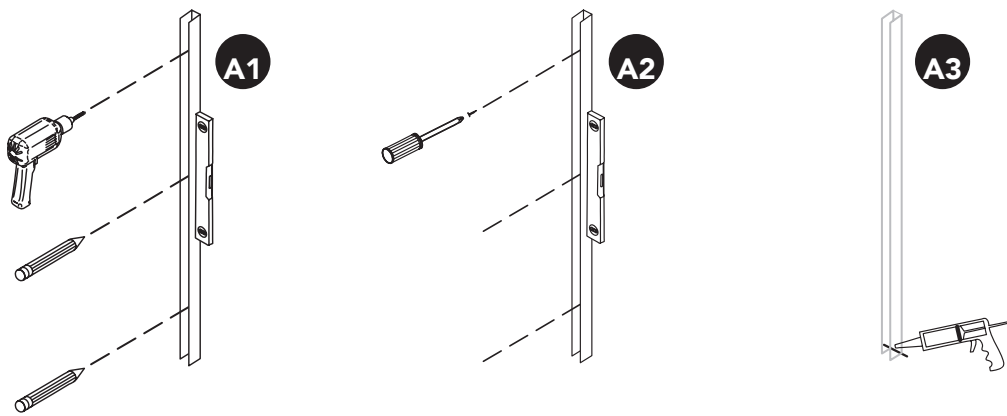
Walls out of plumb will not allow the full minimum/maximum range.

SHOWER TYPE	WALL CHANNEL POSITION (B)
900mm x 900mm	870mm (Minimum) to 885mm (Maximum)
1000mm x 1000mm	970mm (Minimum) to 985mm (Maximum)

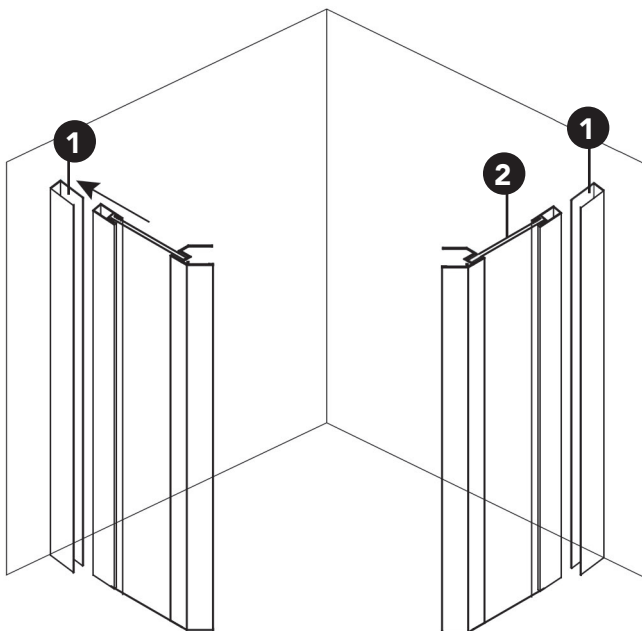
INSTALLATION

GEORGIA NEO ANGLE SHOWER UNIT INSTALLATION INSTRUCTIONS

- 1A** Go to the layout Plan on page 3 to Identify the category and size of shower you are installing. Find the applicable measurements and guidance notes that apply in your case.
- 1B** Using a soft pencil or masking tape mark out the outside boundary line on the base and up the walls with a spirit level. Use the wall channel holes to pre-drill a lead hole in the lining (refer Diagram A1).
- 1C** Prior to wall channel fixing
- Apply a short bead of silicone across tray to liner join at channel position. (Diagram A3)
 - Apply a continuous 7mm bead of silicone on back of channel.
 - Fix channel in place with screws (7) checking it remains plumb. (Diagram A2)

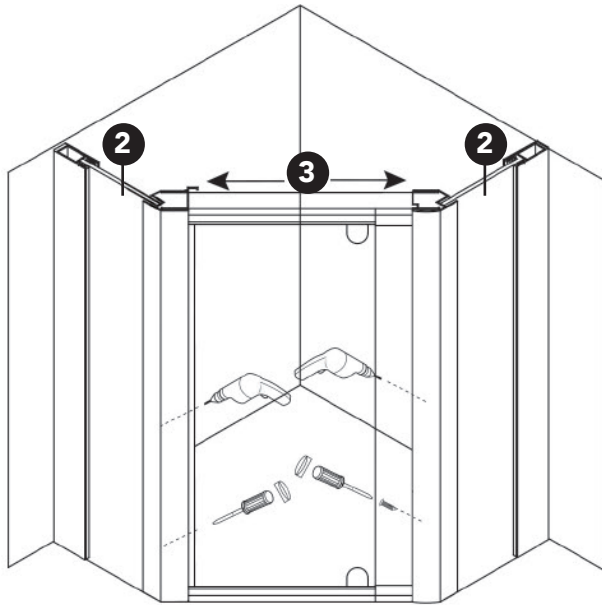


- 2** Slide fixed panel (2) into the wall channels (1). **TIP:** Insert top or bottom corner first and then the rest of the panel should slide in easily.

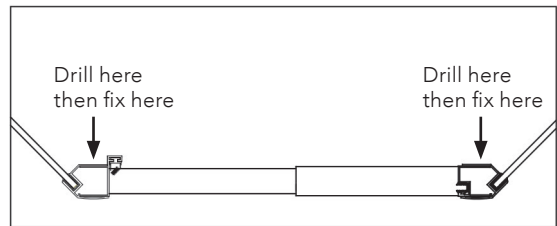


- 3** Slide front of fixed panel (2) over extrusion on the front door assembly (3). Drill 3 equally spaced 3.2mm holes on the **INSIDE** of the screen (see aerial view diagram). Fix side panel (2) to front assembly (3) using 10mm fixed panel screws (5). Cap all screws using fixed panel screw caps (6).

Slide door assembly (3) apart to meet the other fixed panel and then repeat step 3 for the other side.

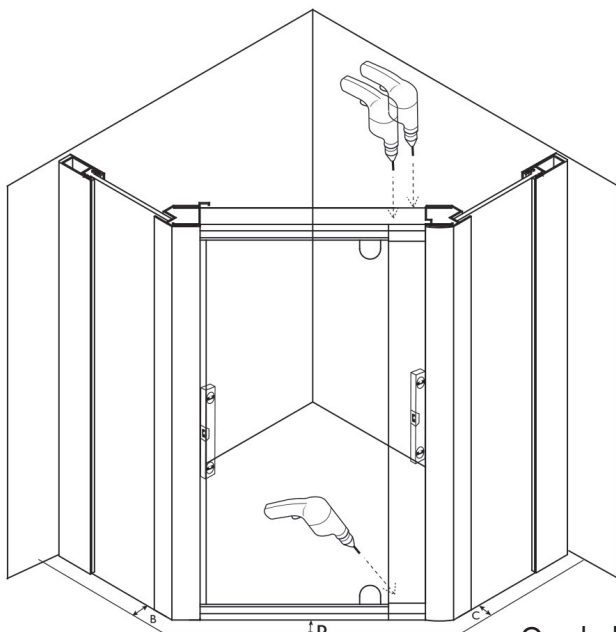


AERIAL VIEW

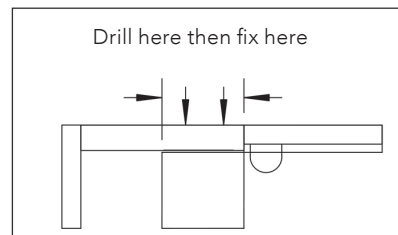


- 4** Equalise shower to tray. This is done by sliding the fixed panel in or out of the wall extrusion for the fixed side. For the Front, the top and bottom rails of the front assembly slide apart for adjustment.

Fix off the bottom rail at the location pictured on the inside of the screen. Using a level ensure the front assembly side panels are vertical. Dill 3.2mm holes then fix with screws (5) as shown to top rail assembly. See front shower view.



TOP FRONT SHOWER VIEW

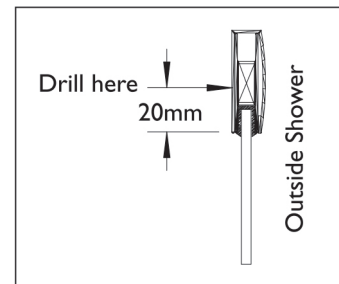
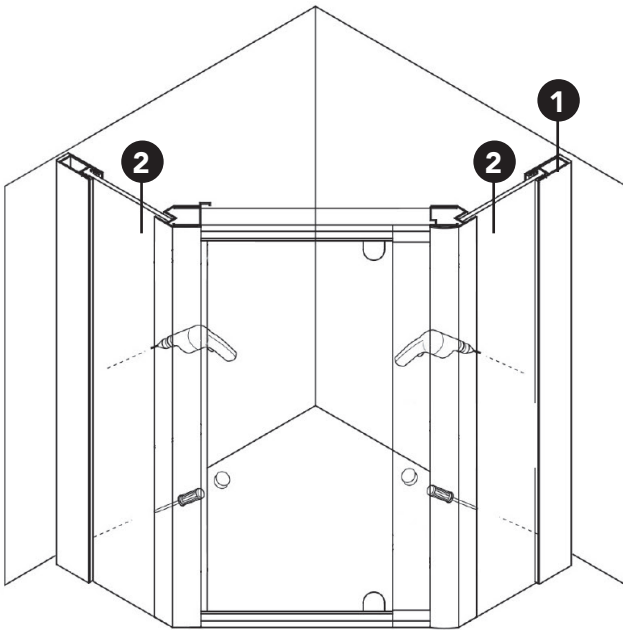


One hole on inside bottom rail

- 5 Drill 3 equally spaced 3.2mm holes into the wall channels (1) on the **INSIDE** of the screen. Make sure that the drill holes are more than 20mm back from the edge of the glass when using the smallest screen size, otherwise you may break the glass.

Make sure that the holes also go through the aluminium of the fixed side panel.

Fix off wall channels (1) to fixed side panels (2) using fixed panels screws (5) and cover them with caps (6) provided.



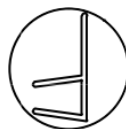
- 6 A. Fasten handle to door.



- B. Fit bottom door seal.



- C. Fit deflector seal to back of door.

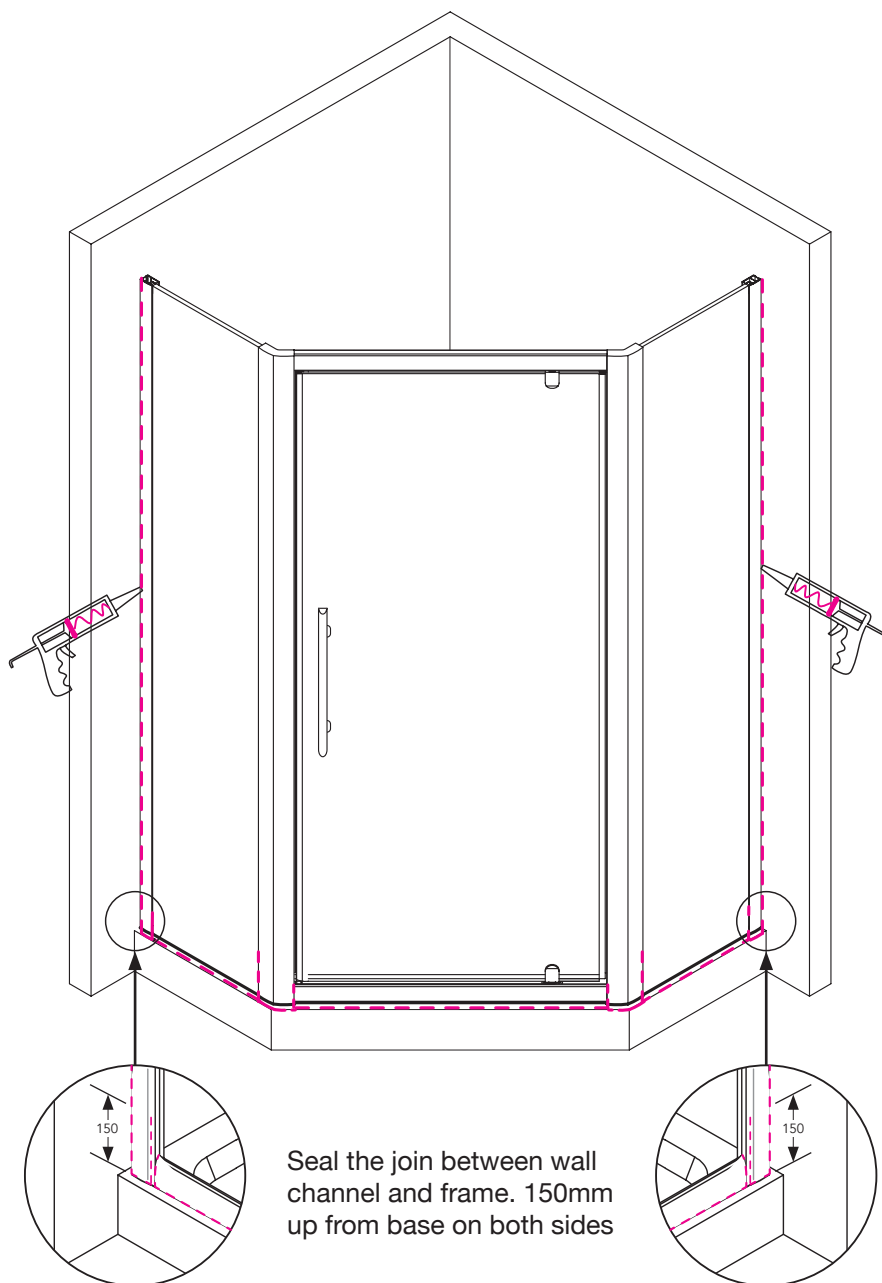


- D. Fit additional deflector seal to leading edge of front fixed glass.



- 7** Apply silicone sealer around all external joints of the shower screen and allow 24 hours for silicone to set.

Silicone is not used on the inside of the shower screen because water can build up over time within the wall channel and leak out of the shower area. The screen is designed to allow the water to return into the shower area, if any is present. SCREENS THAT ARE SEALED ON THE INSIDE WILL VOID WARRANTY.



CONTACT

STEIN

54 Unutoto Place, Tauriko, Tauranga, 3171

Freephone: 0800 002 299

Phone: 07 928 9990

Email: info@stein.co.nz

stein.nz