

Mondella

CADENZA
CURVY CHIC

CADENZA CHROME SINK MIXER

35mm cartridge

Manufactured to Australian
standards AS/NZS3718,
WMKA21979 ApprovalMark

Fitted with approved water saving
devices. WELS Lic No.1101

Item Number: 5003222
MON1270



AS/NZS3718
WMKA21979
ApprovalMark



WATER RATING
www.waterrating.gov.au

7.5 litres per
minute

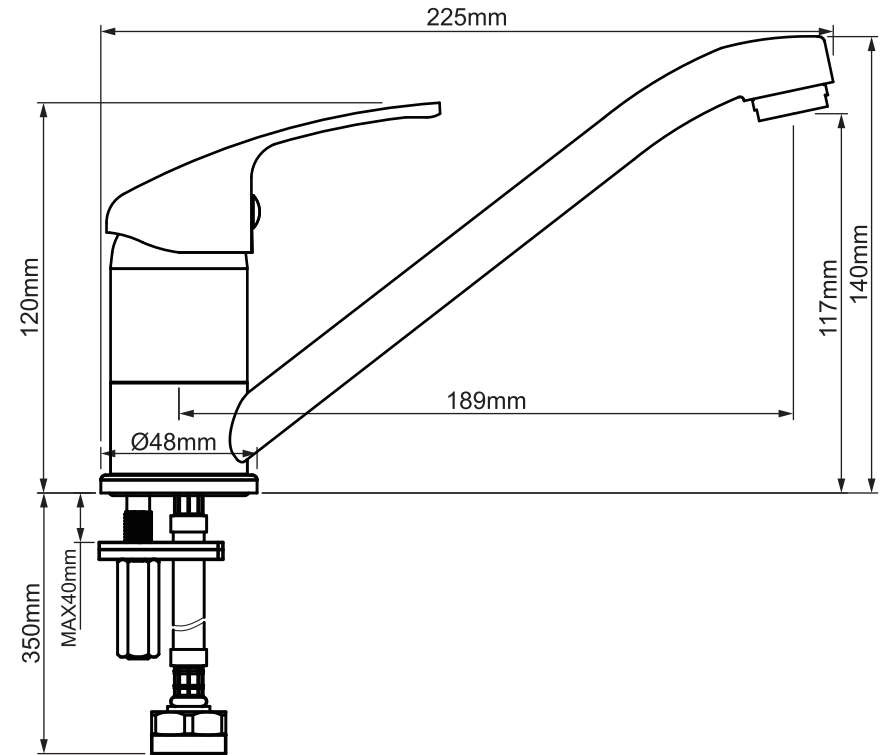
In accordance with AS/NZS 6400

Licence No. 1101

Kinetic Sourcing Group Ltd

10 YEAR WARRANTY*

MON1270-FLV2
27/07/23



* refer to www.mondella.com.au for full warranty details

All dimensions in millimetres (mm) and subject to manufacturing tolerances.