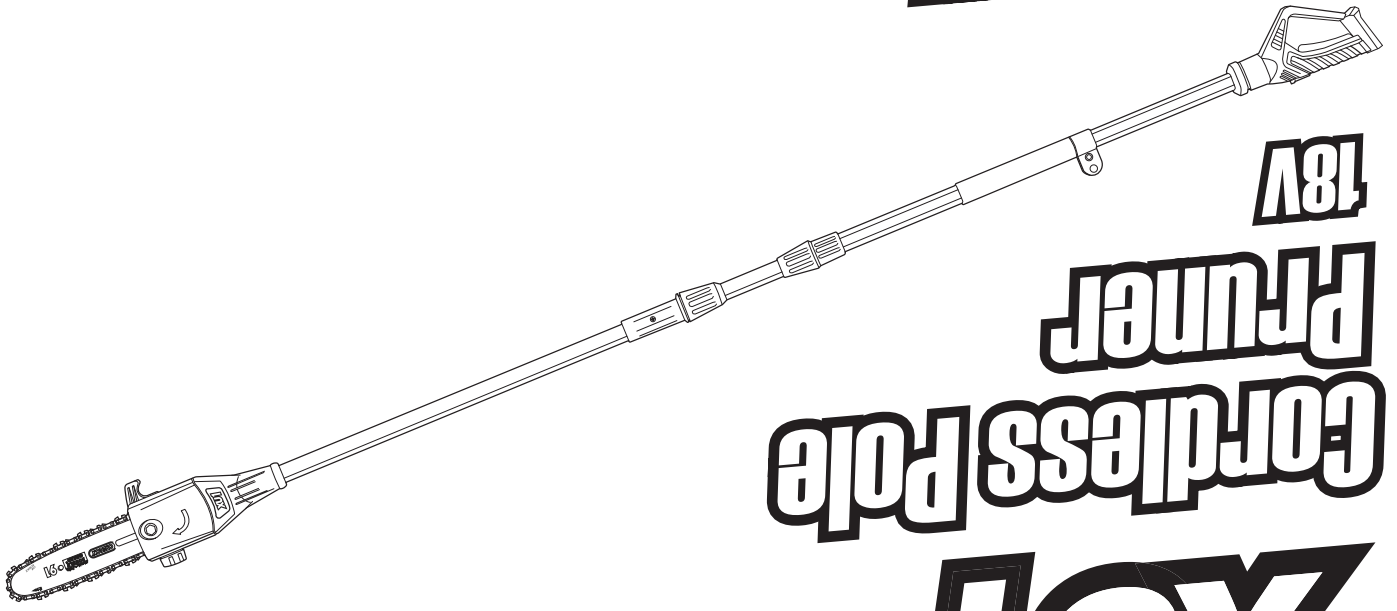


**12 MONTHS HOME USE
REPLACEMENT WARRANTY**

**Operating Instructions
XPPHP-018**



**18V
Cordless Pole
Pruner
XU1**

XU1 Power tools

Ozito Industries Pty. Ltd. 25 Fox Drive, Dandenong South, Victoria, Australia 3175

Telephone: 1800 069 486 (Aus), 0508 069 486 (NZ)

SAFETY INSTRUCTIONS

DESCRIPTION OF SYMBOLS



Read instruction manual

V Volts

dc/  Direct current

No No load speed

/min Revolutions or reciprocation per minute



Warning



Double insulated



Regulator compliance mark



Wear safety gloves



Wear eye, ear and head protection



Keep bystanders away



Wear safety boots



Do not saw in the rain or leave the pole pruner outdoors while raining.



Maintain a minimum clearance of 10 m from current-carrying lines. Life-threatening danger from electric shock.



Sound pressure level

GENERAL POWER TOOL SAFETY WARNINGS



WARNING! Read all safety warnings and all instructions. Failure to follow the warnings and instructions may result in electric shock, fire and/or serious injury.

Save all warnings and instructions for future reference. The term "power tool" in all of the warnings refers to your mains-operated (corded) power tool or battery-operated (cordless) power tool.

1) Work area safety

- Keep work area clean and well lit.** Cluttered and dark areas invite accidents.
- Do not operate power tools in explosive atmospheres, such as in the presence of flammable liquids, gases or dust.** Power tools create sparks which may ignite the dust or fumes.
- Keep children and bystanders away while operating a power tool.** Distractions can cause you to lose control.

2) Electrical safety

- Power tool plugs must match the outlet. Never modify the plug in any way. Do not use any adapter plugs with earthed (grounded) power tools.** Unmodified plugs and matching outlets will reduce risk of electric shock.
- Avoid body contact with earthed or grounded surfaces such as pipes, radiators, ranges and refrigerators.** There is an increased risk of electric shock if your body is earthed or grounded.
- Do not expose power tools to rain or wet conditions.** Water entering a power tool will increase the risk of electric shock.
- Do not abuse the cord. Never use the cord for carrying, pulling or unplugging the power tool. Keep cord away from heat, oil, sharp edges or moving parts.** Damaged or entangled cords increase the risk of electric shock.
- When operating a power tool outdoors, use an extension cord suitable for outdoor use.** Use of a cord suitable for outdoor use reduces the risk of electric shock.
- If operating a power tool in a damp location is unavoidable, use a residual current device (RCD) protected supply.** Use of an RCD reduces the risk of electric shock.

3) Personal safety

- Stay alert, watch what you are doing and use common sense when operating a power tool. Do not use a power tool while drugs, alcohol or medication.** A moment of inattention while operating power tools may result in serious personal injury.
- Use personal protective equipment. Always wear eye protection.** Personal protective equipment such as dust mask, non-skid safety shoes, hard hat, or hearing protection used for appropriate conditions will reduce personal injuries.
- Prevent unintentional starting. Ensure the switch is in the off-position before connecting to power source and/or battery pack, picking up or carrying the tool.** Carrying power tools with your finger on the switch or energising power tools that have the switch on invites accidents.
- Remove any adjusting key or wrench before turning the power tool on.** A wrench or a key left attached to a rotating part of the power tool may result in personal injury.

e) **Do not overreach. Keep proper footing and balance at all times.** This enables better control of the power tool in unexpected situations.

f) **Dress properly. Do not wear loose clothing or jewellery. Keep your hair, clothing and gloves away from moving parts.** Loose clothes, jewellery or long hair can be caught in moving parts.

g) **If devices are provided for the connection of dust extraction and collection facilities, ensure these are connected and properly used.** Use of dust collection can reduce dust-related hazards.

h) **Do not let familiarity gained from frequent use of tools allow you to become complacent and ignore tool safety principles.** A careless action can cause severe injury within a fraction of a second.

4) Power tool use and care

- Do not force the power tool. Use the correct power tool for your application.** The correct power tool will do the job better and safer at the rate for which it was designed.
- Do not use the power tool if the switch does not turn it on and off.** Any power tool that cannot be controlled with the switch is dangerous and must be repaired.
- Disconnect the plug from the power source and/or the battery pack from the power tool before making any adjustments, changing accessories, or storing power tools.** Such preventive safety measures reduce the risk of starting the power tool accidentally.
- Store idle power tools out of the reach of children and do not allow persons unfamiliar with the power tool or these instructions to operate the power tool.** Power tools are dangerous in the hands of untrained users.
- Maintain power tools. Check for misalignment or binding of moving parts, breakage of parts and any other condition that may affect the power tools operation. If damaged, have the power tool repaired before use.** Many accidents are caused by poorly maintained power tools.

f) **Keep cutting tools sharp and clean.** Properly maintained cutting tools with sharp cutting edges are less likely to bind and are easier to control.

g) **Use the power tool, accessories and tool bits etc. in accordance with these instructions and in the manner intended for the particular type of power tool, taking into account the working conditions and the work to be performed.** Use of the power tool for operations different from those intended could result in a hazardous situation.

h) **Keep handles and grasping surfaces dry, clean and free from oil and grease.** Slippery handles and grasping surfaces do not allow for safe handling and control of the tool in unexpected situations.

5) Battery tool use and care

a) **Recharge only with the charger specified by the manufacturer.** A charger that is suitable for one type of battery pack may create a risk of fire when used with another battery pack.

b) **Use power tools only with specifically designated battery packs.** Use of any other battery packs may create a risk of injury and fire.


c) **When battery pack is not in use, keep it away from other metal objects, like paper clips, coins, keys, nails, screws or other small metal objects, that can make a connection from one terminal to another.** Shorting the battery terminals together may cause burns or a fire.

- d) **Under abusive conditions, liquid may be ejected from the battery; avoid contact. If contact accidentally occurs, flush with water. If liquid contacts eyes, additionally seek medical help.** Liquid ejected from the battery may cause irritation or burns.
- e) **Do not use a battery pack or tool that is damaged or modified.** Damaged or modified batteries may exhibit unpredictable behaviour resulting in fire, explosion or risk of injury.
- f) **Do not expose a battery pack or tool to fire or excessive temperature.** Exposure to fire or temperature above 130 °C may cause explosion.
- g) **Follow all charging instructions and do not charge the battery pack or tool outside the temperature range specified in the instructions.** Charging improperly or at temperatures outside the specified range may damage the battery and increase the risk of fire.

6) Service

- a) **Have your power tool serviced by a qualified repair person using only identical replacement parts.** This will ensure that the safety of the power tool is maintained.
- b) **Never service damaged battery packs.** Service of battery packs should only be performed by the manufacturer or authorized service provider.

POLE PRUNER SAFETY WARNINGS



WARNING! This appliance is not intended for use by persons (including children) with reduced physical, sensory or mental capabilities, or lack of experience and knowledge, unless they have been given supervision or instruction concerning use of the appliance by a person responsible for their safety. Children should be supervised to ensure that they do not play with the appliance.

- **Keep all parts of the body away from the saw chain when the chain saw is operating. Before you start the chain saw, make sure the saw chain is not contacting anything.** A moment of inattention while operating chain saws may cause entanglement of your clothing or body with the saw chain.
- **Always hold the chain saw with your right hand on the rear handle and your left hand on the front handle.** Holding the chain saw with a reversed hand configuration increases the risk of personal injury and should never be done.
- **Wear safety glasses and hearing protection. Further protective equipment for head, hands, legs and feet is recommended.** Adequate protective clothing will reduce personal injury by flying debris or accidental contact with the saw chain.
- **Do not operate a chain saw in a tree.** Operation of a chain saw while up in a tree may result in personal injury.
- **Always keep proper footing and operate the chain saw only when standing on fixed, secure and level surface.** Slippery or unstable surfaces such as ladders may cause a loss of balance or control of the chain saw.
- **When cutting a limb that is under tension be alert for spring back.** When the tension in the wood fibres is released the spring loaded limb may strike the operator and/or throw the chain saw out of control.
- **Use extreme caution when cutting brush and saplings.** The slender material may catch the saw chain and be whipped toward you or pull you off balance.

- **Carry the chain saw by the front handle with the chain saw switched off and away from your body. When transporting or storing the chain saw always fit the guide bar cover. Proper handling of the chain saw will reduce the likelihood of accidental contact with the moving saw chain.**
- **Follow instructions for lubricating, chain tensioning and changing accessories.** Improperly tensioned or lubricated chain may either break or increase the chance for kickback.
- **Keep handles dry, clean, and free from oil and grease.** Greasy, oily handles are slippery causing loss of control.
- **Cut wood only. Do not use chain saw for purposes not intended. For example: do not use chain saw for cutting plastic, masonry or non-wood building materials.** Use of the chain saw for operations different than intended could result in a hazardous.

Kickback

Kickback may occur when the nose or tip of the guide bar touches an object, or when the wood closes in and pinches the saw chain in the cut.

Tip contact in some cases may cause a sudden reverse reaction, kicking the guide bar up and back towards the operator.

Pinching the saw chain along the top of the guide bar may push the guide bar rapidly back towards the operator.

Either of these reactions may cause you to lose control of the saw which could result in serious personal injury. Do not rely exclusively upon the safety devices built into your saw. As a chain saw user, you should take several steps to keep your cutting jobs free from accident or injury.

Kickback is the result of tool misuse and/or incorrect operating procedures or conditions and can be avoided by taking proper precautions as given below:

- Maintain a firm grip, with thumbs and fingers encircling the chain saw handles, with both hands on the saw and position your body and arm to allow you to resist kickback forces. Kickback forces can be controlled by the operator, if proper precautions are taken. Do not let go of the chain saw.
- Do not overreach and do not cut above shoulder height. This helps prevent unintended tip contact and enables better control of the chain saw in unexpected situations.
- Only use replacement bars and chains specified by the manufacturer. Incorrect replacement bars and chains may cause chain breakage and/or kickback.
- Follow the manufacturer's sharpening and maintenance instructions for the saw chain. Decreasing the depth gauge height can lead to increased kickback.

Push Back

Push back will occur if an attempt is made to saw with the top of the guide bar, if the chain touches against a rigid object and jams in the cut.

Pull Forward

If the bucking spikes are not set against the timber, the chain at the bottom of the guide bar will pull the saw forward; this can jam the chain in the timber.

To avoid this always have the bucking spikes set against the timber when performing a cut.

MAINTENANCE



WARNING! Before cleaning your pole pruner or carry out any maintenance procedure, make sure that the motor is off and the battery removed to prevent accidental starting.



WARNING! Always wear gloves when handling the chain as it is very sharp and can cut you when it is not moving.

Maintaining the Guide Bar

1. Remove any sawdust from the guide bar, including the groove. Oil and sawdust combine and emit a burning smell during operation if the blade is not regularly cleaned.
2. Make sure that the oil port is not clogged. Grease the nose sprocket at the tip of the guide bar.
3. Check for oil leakage and loose fastenings, especially those securing the handles and the guide bar.
4. Reverse the guide bar every 8 working hours to ensure uniform wear. Check the guide rails frequently and if necessary remove burrs and square up the rails using a flat file.

Chain Sharpening

Chain File: 3.96mm (5/32")

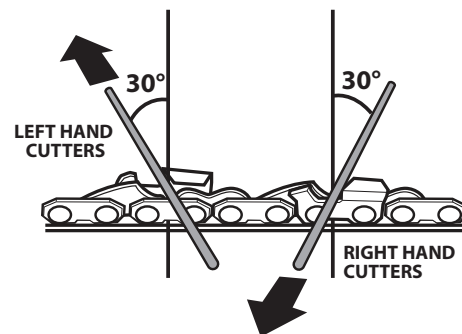
Chain Pitch: 9.53mm (3/8")

Chain Gauge: 1.3mm (0.050")

Sharpen the chain regularly to maintain optimum performance of the saw. Signs of a dull chain are:

- The sawdust becomes powder-like
- Extra force is required to execute a cut
- The cut does not track in a straight line
- Increased vibration

Sharpen each cutter using a round 3.96mm (5/32") chain file. Keep the file level with the top plate of the tooth. Always use outward strokes and maintain a 30° angle between the chain and file. After sharpening, the cutters must all have the same width and length. After every 3–4 uses get an authorised repair centre to professionally sharpen your chain. They have the special tools necessary to ensure the correct cutting angles and depths.



Cleaning and Storage

- Regularly clean the tensioning mechanism by blowing compressed air onto or cleaning it with a brush. Do not use any tools for the cleaning.
- Keep oil away from the handle in order to ensure a secure hold.
- Clean the machine as necessary with a damp cloth and a mild cleanser, if appropriate.
- If the pole pruner is not used for an extended period of time, remove the chain and bar oil from the tank. Briefly place the chain and the guide bar in an oil bath and then wrap it in oil paper.
- Always replace the protective cover for transport or storage of the pole pruner.
- Never immerse the machine in water or other liquids in order to clean it.
- Store the pole pruner in a safe and dry place and out of the reach of children.

Note: The pole pruner warranty does not cover components that have been subjected to operator abuse or negligence. To receive full value from the warranty, the operator must maintain the pole pruner as instructed in this manual.

Note: Ozito Industries will not be responsible for any damage or injuries caused by the repair of the Pole Pruner by an unauthorised person or by mishandling of the Pole Pruner. This tool is designed for DIY use - use in commercial or industrial environments will void the warranty.

Battery Protection System

The tool is equipped with the battery protection system, which helps to ensure a long service life. The output power automatically cuts off during operation when the tool and battery are placed under the following situations:

• When tool is overloaded:

If this occurs, turn off the tool and let it cool down for 10 mins, remove the cause of overload, then resume operation.

• When the remaining battery capacity becomes low:

Recharge the battery pack.

SPARE PARTS

Chain Replacement

The chain can be purchased through Ozito spare parts or from your local Bunnings Warehouse. The correct chain can be purchased by matching the pitch, gauge and number of links as shown below:



9.53mm(3/8)



1.3mm(.050")



33 Links

Spare parts can be ordered from the Special Orders Desk at your local Bunnings Warehouse.

For further information, or any parts not listed here, visit www.ozito.com.au or contact Ozito Customer Service:

Australia 1800 069 486

New Zealand 0508 069 486

E-mail: enquiries@ozito.com.au

TROUBLESHOOTING

Problem	Possible Cause	Remedy
Pole Pruner will not work	Battery is low in charge	Charge battery
	Battery not inserted properly	Insert battery pack correctly
Dry chain	No oil in oil tank	Fill oil tank with chain bar oil
	Oil tank cap breather blocked	Clean oil tank cap
	Oil outlet blocked	Clear oil outlet
Chain or guide bar hot	No oil in oil tank	Fill oil tank with chain bar oil
	Oil tank cap breather blocked	Clean oil tank cap
	Oil outlet blocked	Clear oil outlet
	Blunt chain	Sharpen or replace chain
Wont cut	Blunt chain	Sharpen or replace chain
	Chain on backwards (chain teeth pointing in the wrong direction)	Remove chain and reinstall with the teeth facing in the correct direction
	Worn chain	Replace the chain
Pole Pruner vibrating or not cutting properly	Chain tension too loose	Adjust chain to correct tension
	Blunt chain	Sharpen or replace chain
	Worn chain	Replace the chain
	Chain on backwards (chain teeth pointing in the wrong direction)	Remove chain and reinstall with the teeth facing in the correct direction

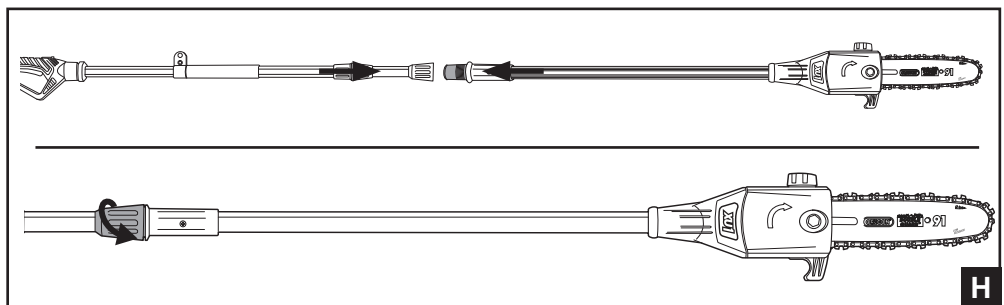
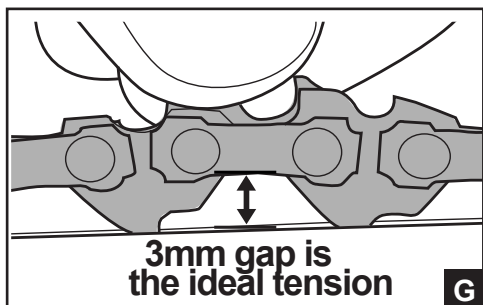
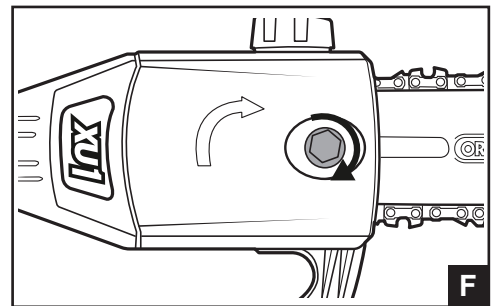
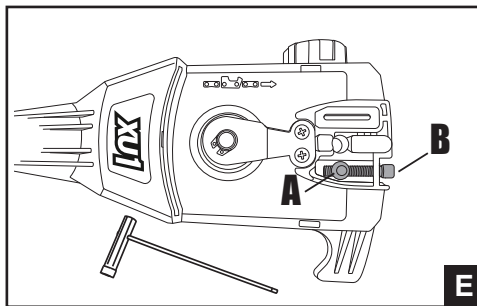
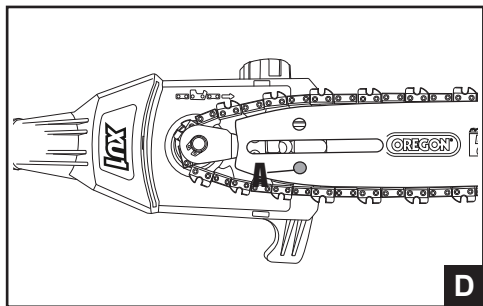
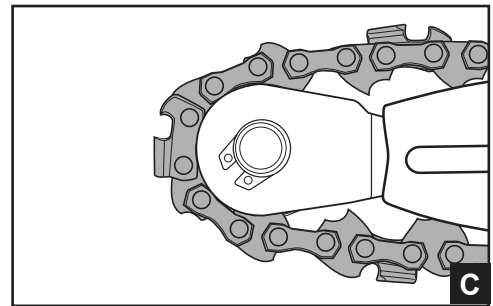
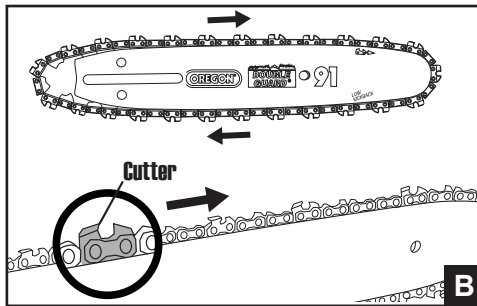
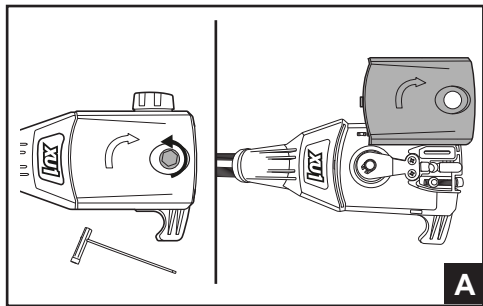
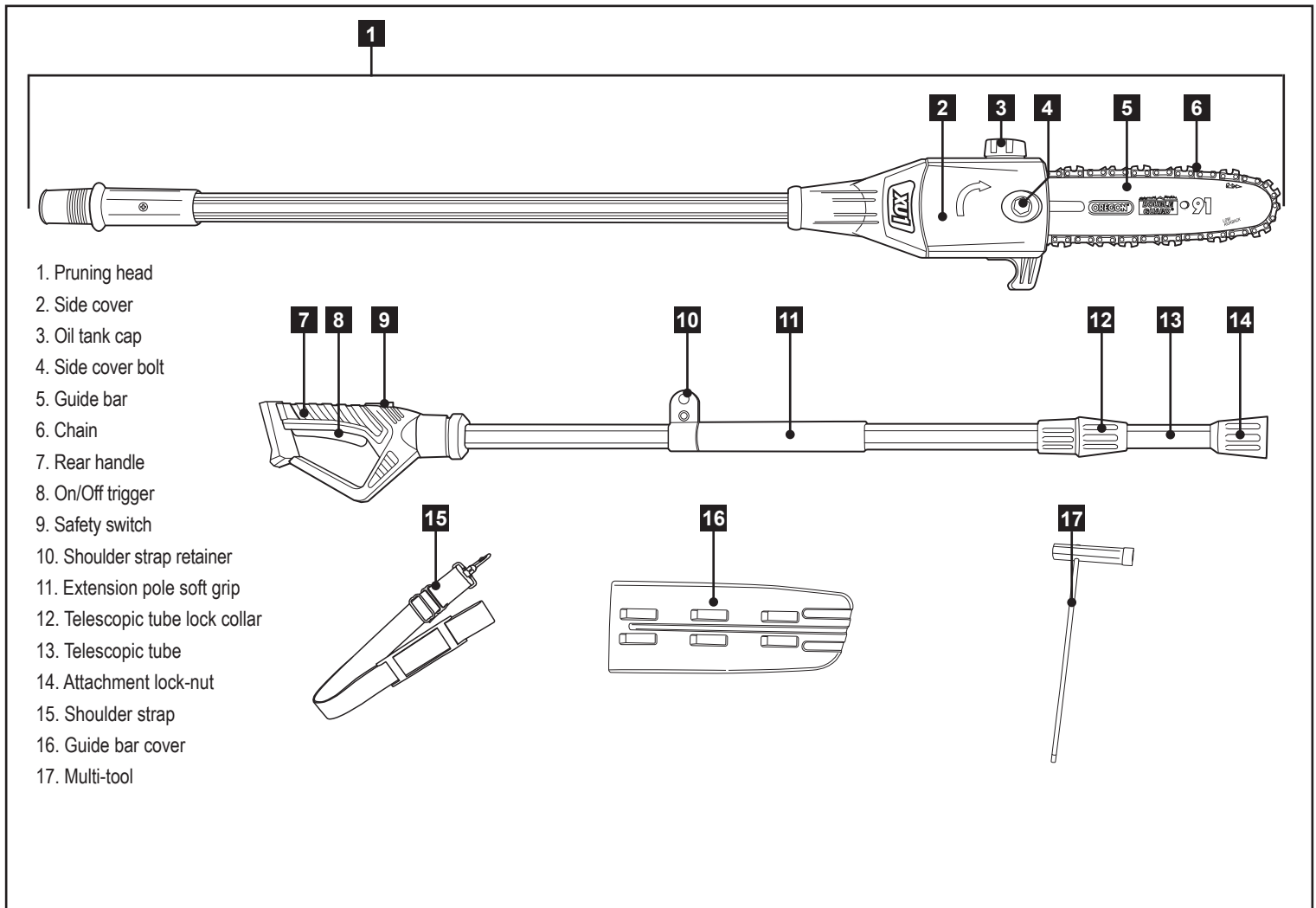
CARING FOR THE ENVIRONMENT

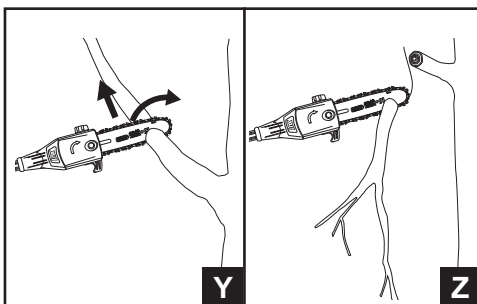
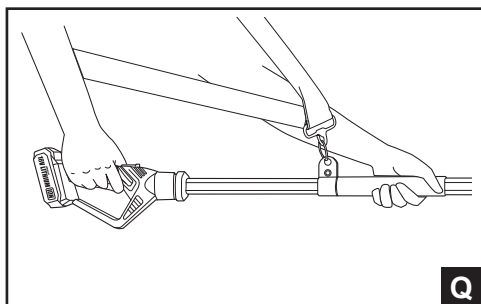
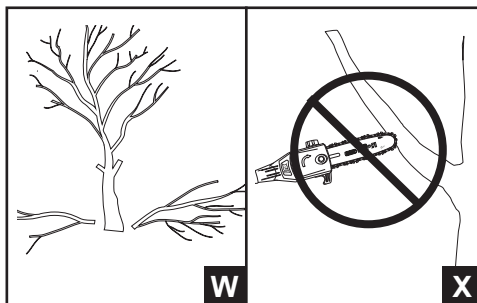
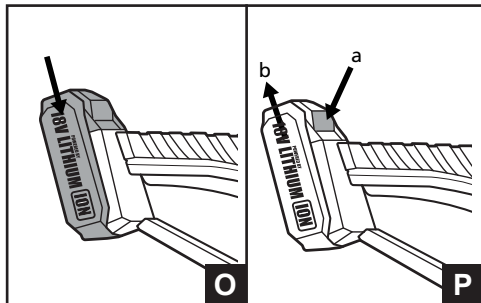
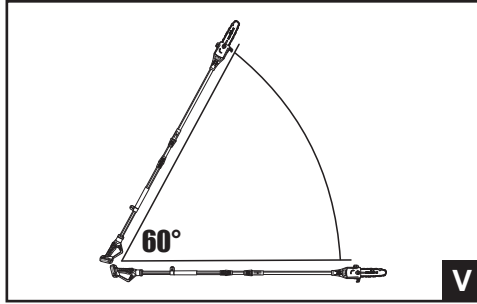
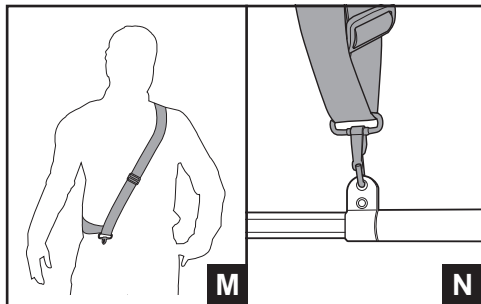
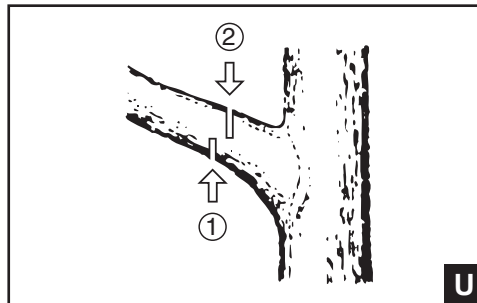
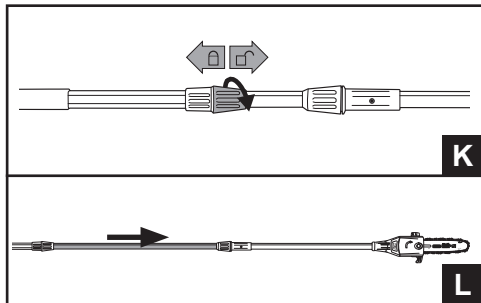
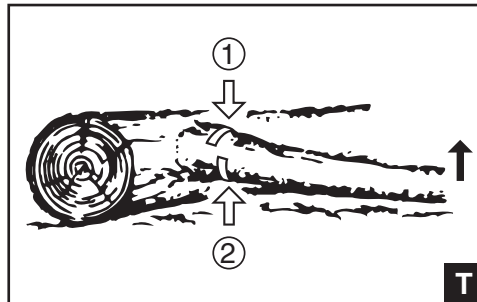
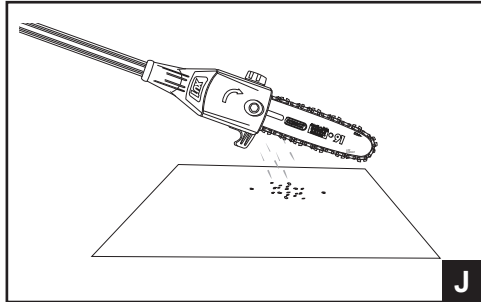
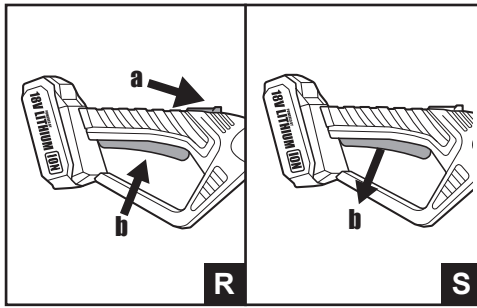
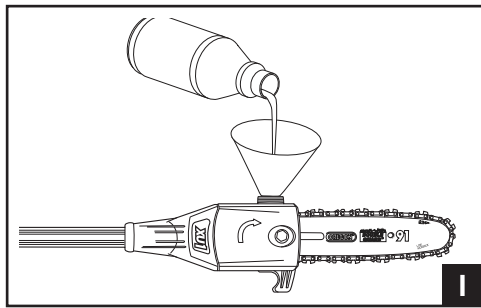


Power tools that are no longer usable should not be disposed of with household waste but in an environmentally friendly way. Please recycle where facilities exist. Check with your local council authority for recycling advice.



Recycling packaging reduces the need for landfill and raw materials. Reuse of recycled material decreases pollution in the environment. Please recycle packaging where facilities exist. Check with your local council authority for recycling advice.





SPECIFICATIONS

Voltage: 18V
Chain Speed: 5.5 m/s
Bar Length: 200mm (8")
Cutting Capacity Max.: 170mm
Oil Tank: 45ml
Telescopic Range: 2.22 — 2.85m
Chain Oiling: Automatic
Tool Weight: 4.7kg

PROPER USE

This tool is intended for use in a DIY (Do It Yourself) context or for hobbyist purposes. It is not built for continuous daily use in a trade or professional capacity.

Before using the machine, carefully read these instructions, especially the safety rules to help ensure that your machine always operates properly.

Before attempting to operate the machine, familiarise yourself with the controls and make sure you know how to stop the machine quickly in an emergency.

Save these instructions and the other documents supplied with this machine for future reference.

ASSEMBLY

WARNING! Ensure the tool is turned off and battery disconnected before performing any of the following operations.

WARNING! The chain has sharp edges, for your own safety, please wear work gloves. Never touch the chain or service the unit with the battery pack installed.

Fitting Guide Bar & Chain

1. Remove the side cover bolt (turning ant-clockwise) using supplied Multi-tool then remove the side cover **FIG. A**.
2. Place the chain in the groove of the guide bar. Refer to the image printed on the guide bar that indicates the direction that the chain cutters should face **FIG. B**.

WARNING! If the chain is installed backwards (chain cutters are facing in the opposite direction of rotation) the pole pruner will vibrate excessively and not cut.

3. Place the guide bar and chain into position ensuring that the chain is around the sprocket **FIG. C**. Also ensuring that the chain tensioning pin **(A) FIG. D** sits within the lower hole on the guide bar.

Note: By rotating the chain tensioning screw **(B)** with supplied Multi-tool will adjust the chain tension pin **(A)** position to fit into the hole of the guide bar as you guiding the chain around the sprocket. The chain must not slip off the bar when you do this **FIG. E**.

4. Re-mount and finger-tighten the side cover with the side cover bolt **FIG. F**.

Note: Only tighten the side cover bolt securely once the chain tension has been adjusted (see: **Tensioning the Chain**.)

Tensioning the Chain

1. Loosen the side cover bolt (turning anti-clockwise) using supplied Multi-tool. Do not remove the side cover.



WARNING! If you try to adjust the chain tension whilst the side cover bolt is tight, it will result in the chain not adjusting and possible damage to the chain tensioning screw (B) and chain tensioning pin (A).



WARNING! The chain has sharp edges. For your own safety, please wear work gloves.

2. Using the supplied Multi-tool, turn the chain tensioning screw (B) clockwise until the chain is correctly tensioned.
3. To get the correct chain tension, firmly pull up on the chain at the middle of the top of the exposed guide bar. When the chain is pulled up to its highest point, the bottom tip of the links should only just stay in the track [middle of the guide bar] **FIG. G.**
4. Once the correct tension has been achieved, tighten the side cover bolt (turning clockwise) to lock the chain bar and tension in place.

Note: Proper tension of the chain is extremely important and must be checked before starting, as well as during any cutting operation.

Check the tension again after a few minutes of cutting and several times in the first hour because the chain will lengthen as it breaks in. Adjust as you go. A loose chain causes rapid wear to both the chain and the guide bar and could derail causing a major safety hazard. Taking the time to make adjustments to the chain will result in improved cutting performance and prolonged chain life.

Note: Chains lengthen slightly as the link pins set into place. They set into place from the load applied to the chain, this process continues throughout the life of all chains as they gradually wear from use.

Note: All chain links must lie properly in the guide groove of the guide bar.

Fitting the Pruning Head

1. Push the pruning head fully onto extension pole aligning the internal prongs, then screw tight with the attachment lock-nut **FIG. H.**

SETUP & PREPARATION

Oil & Chain Lubrication



WARNING! Only use oil that is expressly labelled "Chain & Bar Oil".

1. Place the Telescopic Pole Pruner on a level surface.
2. Clean the area around the oil tank cap and then open it.
3. Fill the oil tank with BAR AND CHAIN OIL (not supplied). In doing so, make sure that no dirt gets into the oil tank. This will ensure that the oil feed system does not clog and prevent oil reaching the chain & guide bar **FIG. I.**
4. Always fill the oil tank when the oil level is below the minimum mark on the oil level window. The capacity of the oil tank is 45ml. Do not overfill.

5. Re-fit the oil tank cap and clean any oil spillage.



WARNING! Never start work unless the Chain & Guide Bar are lubricated.

6. To check the lubricating system, run the pole pruner and hold it with the guide bar and chain above some light coloured paper such as newspaper. A steadily increasing stain caused by oil spray shows the lubricating system is working **FIG. J.**

Note: Chain bar oil may leak if the tool is left for long periods. This is normal. If the tool is to be left unused for an extended time, drain the oil from the tool. Refill before use.

Adjusting the Telescopic Length

1. To unlock the telescopic tube lock, twist the collar in a clockwise direction while pointing the chain away from the user. The locking and unlocking directions are indicated on the locking collar **FIG. K.**
2. With the lock released, the telescopic tube can be pulled forward out of the collar, thereby extending its reach **FIG. L.**
3. To lock in the desired position, firmly twist the telescopic tube lock collar in an anti-clockwise direction, while pointing the chain away from the user.

Attaching the Shoulder Strap



WARNING! Always use the shoulder strap when working with the pole pruner. Attach the strap before switching on. Switch off the unit before you take off the shoulder strap.

1. Wear the shoulder strap so that it lies over your left shoulder **FIG. M.**
2. Fasten the carabiner hook on the shoulder strap to the shoulder strap retainer. Using the strap adjuster on the shoulder strap, make adjustments until you achieve the most comfortable working and cutting position **FIG. N.**

Note: If necessary you can adjust the position of the shoulder strap retainer on the extension tube. To do so, loosen the wing nut and move the shoulder strap retainer as required and then retighten the wing nut.

Guide Bar Cover

The cover protects both the chain & bar when not in use. Simply slide it off the bar & chain before use. Once finished operating, place the cover back over the bar & chain.

Inserting & Removing the Battery

1. To insert, align the ribs of the battery with the battery recess and slide the battery in so that it clicks into place **FIG. O.**
2. To remove, first press and hold the battery release tab (a), then slide the battery out (b) **FIG. P.**

Protective Clothing

Make absolutely sure to wear the appropriate, close fitting protective clothing, such as protective pants, gloves and safety shoes. Wear hearing protection and protective goggles a safety helmet with a face guard will provide protection against falling and recoiling branches.

OPERATION



WARNING! Familiarise yourself with surrounding hazards such as power lines, phone lines, metal fences and other objects that could be in your path, failure to do so could result in electrical shock, personal injury or damage to your pole pruner.

Starting & Stopping

Before starting the pole pruner ,

- Remove the bar & chain cover.
- Make sure you have a secure and balanced footing.
- Make sure the bar & chain is not touching the ground or any other objects.
- Hold the unit with both hands: one hand on the rear handle and one hand on the extension pole soft grip **FIG. Q.**
- You are wearing the appropriate protective clothing.

To Start the Pole Pruner



WARNING! Never start the pole pruner while the bar & chain cover is fitted.

For user safety the safety switch and on/off trigger must be operated simultaneously.

1. Slide the safety switch (a) to the front with your thumb and hold, then squeeze the on/off trigger (b) **FIG. R.**
2. The chain will now be running ready to make a cut. Release the safety switch (a)

To Stop the Pole Pruner

3. Release the on/off trigger (b). The chain and motor will quickly stop **FIG. S.**

APPLICATIONS



WARNING! If the chain comes in contact with a hard object, visually inspect the chain & bar for damage. If the chain or bar is damaged, do not continue to operate the pole pruner.



WARNING! Do not operate the pole pruner in a tree, on a ladder, from a rooftop, or any unstable support. Operation of a pole pruner in this manner could result in serious personal injury.



WARNING! Ensure appropriate care is taken when cutting above shoulder height.

Limbing

• Limbing is the process of removing the branches from a fallen tree. Check the direction in which a branch will bend before cutting it. Always cut on the opposite side to the bending direction so that the guide bar is not pinched in the cut. For large limbs that cannot be removed in one cut, make an initial cut from the bent side and finish by sawing from the opposite direction. Do not remove limbs that are supporting the fallen tree on the ground until the tree has been cut into lengths **FIG. T.**

Pruning

- Pruning is the removal of a limb or branch from a standing tree **FIG. U.**

Sawing Techniques

- When removing branches, hold the pruner at an angle ranging from a maximum 60° to horizontal in order to avoid being struck by a falling branch **FIG. V.**
- Saw off the lower branches on the tree first. By doing so, it is easier for the cut branches to fall to the ground **FIG. W.**
- Do not saw with the tip of the guide bar. This could lead to kick back and possible injury **FIG. X.**
- Only pull the pruner out of the cut with the chain running. By doing so, you can prevent it from getting jammed **FIG. Y.**
- At the end of the cut, the weight of the pruner suddenly increases for the user, because it is no longer supported on the branch. There is the risk of losing control of the pruner **FIG. Z.**

WARRANTY

YOUR WARRANTY FORM SHOULD BE RETAINED BY YOU AT ALL TIMES. IN ORDER TO MAKE A CLAIM UNDER THIS WARRANTY YOU MUST RETURN THE PRODUCT TO YOUR NEAREST BUNNINGS WAREHOUSE WITH YOUR BUNNINGS REGISTER RECEIPT. PRIOR TO RETURNING YOUR PRODUCT FOR WARRANTY. PLEASE TELEPHONE OUR CUSTOMER SERVICE HELPLINE:

Australia 1800 069 486

New Zealand 0508 069 486

TO ENSURE A SPEEDY RESPONSE PLEASE HAVE THE MODEL NUMBER AND DATE OF PURCHASE AVAILABLE. A CUSTOMER SERVICE REPRESENTATIVE WILL TAKE YOUR CALL AND ANSWER ANY QUESTIONS YOU MAY HAVE RELATING TO THE WARRANTY POLICY OR PROCEDURE.

The benefits provided under this warranty are in addition to other rights and remedies which are available to you at law.

Our goods come with guarantees that cannot be excluded at law. You are entitled to a replacement or refund for a major failure and for compensation for any other reasonably foreseeable loss or damage. You are also entitled to have the goods repaired or replaced if the goods fail to be of acceptable quality and the failure does not amount to a major failure.

Generally you will be responsible for all costs associated with a claim under this warranty, however, where you have suffered any additional direct loss as a result of a defective product you may be able to claim such expenses by contacting our customer service helpline above.

1 YEAR REPLACEMENT WARRANTY

Your product is guaranteed for a period of 12 months from the original date of purchase and is intended for DIY (Do It Yourself) use only. If a product is defective it will be replaced in accordance with the terms of this warranty. Warranty excludes consumable parts, for example: Bearings, guide bar & chain, guide bar cover and included accessories.

WARNING

The following actions will result in the warranty being void.

- Professional, Industrial or high frequency use.
- If the tool has been operated on a supply voltage other than that specified on the tool.
- If the tool shows signs of damage or defects caused by or resulting from abuse, accidents or alterations.
- Failure to perform maintenance as set out within the instruction manual.
- If the tool is disassembled or tampered with in any way.

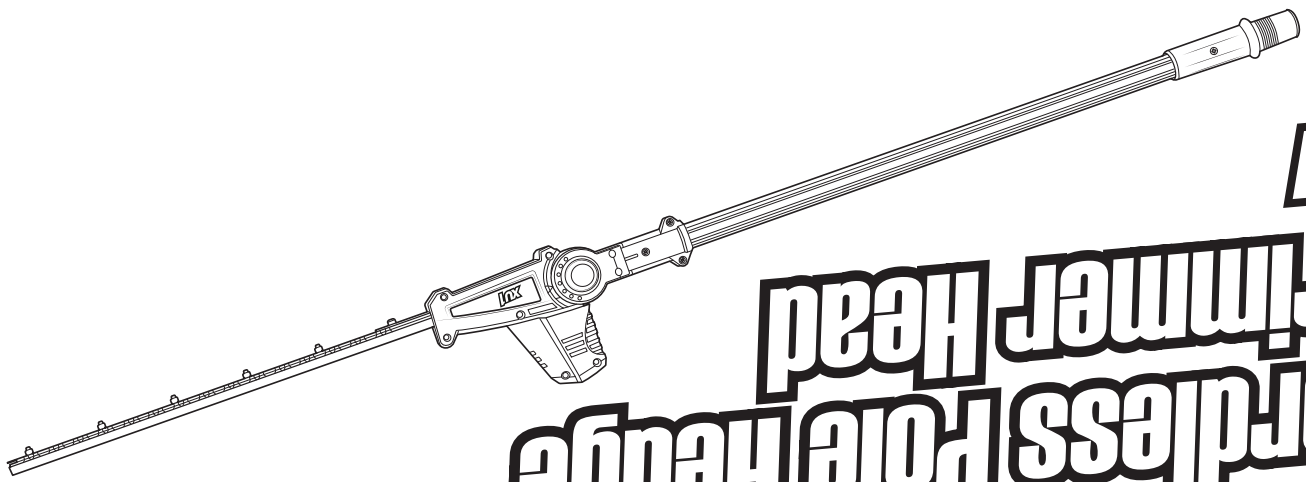
XU1

Australia/New Zealand (Head Office)

Ozito Industries Pty. Ltd. 25 Fox Drive, Dandenong South, Victoria, Australia 3175

REPLACEMENT WARRANTY
12 MONTHS HOME USE

Operating Instructions
XPTH-018



18V
Trimmer Head
Foriless Pole Hedge
XU1

XU1 Power tools

Ozito Industries Pty. Ltd. 25 Fox Drive, Dandenong South, Victoria, Australia 3175

Telephone: 1800 069 486 (Aus), 0508 069 486 (NZ)

SAFETY INSTRUCTIONS

DESCRIPTION OF SYMBOLS



Read instruction manual

V Volts

dc/  Direct current

No No load speed

/min Revolutions or reciprocation per minute



Warning



Double insulated



Regulator compliance mark



Wear safety gloves



Wear eye, ear and head protection



Keep bystanders away



Wear safety boots



Do not use in the rain or leave the pole hedge trimmer outdoors while raining.



Keep hands away from blade



Maintain a minimum clearance of 10 m from current-carrying lines. Life-threatening danger from electric shock.



Sound pressure level

GENERAL POWER TOOL SAFETY WARNINGS



WARNING! Read all safety warnings and all instructions. Failure to follow the warnings and instructions may result in electric shock, fire and/or serious injury.

Save all warnings and instructions for future reference. The term "power tool" in all of the warnings refers to your mains-operated (corded) power tool or battery-operated (cordless) power tool.

1) Work area safety

- Keep work area clean and well lit.** Cluttered and dark areas invite accidents.
- Do not operate power tools in explosive atmospheres, such as in the presence of flammable liquids, gases or dust.** Power tools create sparks which may ignite the dust or fumes.
- Keep children and bystanders away while operating a power tool.** Distractions can cause you to lose control.

2) Electrical safety

- Power tool plugs must match the outlet. Never modify the plug in any way. Do not use any adapter plugs with earthed (grounded) power tools.** Unmodified plugs and matching outlets will reduce risk of electric shock.
- Avoid body contact with earthed or grounded surfaces such as pipes, radiators, ranges and refrigerators.** There is an increased risk of electric shock if your body is earthed or grounded.
- Do not expose power tools to rain or wet conditions.** Water entering a power tool will increase the risk of electric shock.
- Do not abuse the cord. Never use the cord for carrying, pulling or unplugging the power tool. Keep cord away from heat, oil, sharp edges or moving parts.** Damaged or entangled cords increase the risk of electric shock.
- When operating a power tool outdoors, use an extension cord suitable for outdoor use.** Use of a cord suitable for outdoor use reduces the risk of electric shock.
- If operating a power tool in a damp location is unavoidable, use a residual current device (RCD) protected supply.** Use of an RCD reduces the risk of electric shock.

3) Personal safety

- Stay alert, watch what you are doing and use common sense when operating a power tool. Do not use a power tool while drugs, alcohol or medication.** A moment of inattention while operating power tools may result in serious personal injury.
- Use personal protective equipment. Always wear eye protection.** Personal protective equipment such as dust mask, non-skid safety shoes, hard hat, or hearing protection used for appropriate conditions will reduce personal injuries.
- Prevent unintentional starting. Ensure the switch is in the off-position before connecting to power source and/or battery pack, picking up or carrying the tool.** Carrying power tools with your finger on the switch or energising power tools that have the switch on invites accidents.
- Remove any adjusting key or wrench before turning the power tool on.** A wrench or a key left attached to a rotating part of the power tool may result in personal injury.

e) **Do not overreach. Keep proper footing and balance at all times.** This enables better control of the power tool in unexpected situations.

f) **Dress properly. Do not wear loose clothing or jewellery. Keep your hair, clothing and gloves away from moving parts.** Loose clothes, jewellery or long hair can be caught in moving parts.

g) **If devices are provided for the connection of dust extraction and collection facilities, ensure these are connected and properly used.** Use of dust collection can reduce dust-related hazards.

h) **Do not let familiarity gained from frequent use of tools allow you to become complacent and ignore tool safety principles.** A careless action can cause severe injury within a fraction of a second.

4) Power tool use and care

- Do not force the power tool. Use the correct power tool for your application.** The correct power tool will do the job better and safer at the rate for which it was designed.
- Do not use the power tool if the switch does not turn it on and off.** Any power tool that cannot be controlled with the switch is dangerous and must be repaired.
- Disconnect the plug from the power source and/or the battery pack from the power tool before making any adjustments, changing accessories, or storing power tools.** Such preventive safety measures reduce the risk of starting the power tool accidentally.
- Store idle power tools out of the reach of children and do not allow persons unfamiliar with the power tool or these instructions to operate the power tool.** Power tools are dangerous in the hands of untrained users.
- Maintain power tools. Check for misalignment or binding of moving parts, breakage of parts and any other condition that may affect the power tools operation. If damaged, have the power tool repaired before use.** Many accidents are caused by poorly maintained power tools.
- Keep cutting tools sharp and clean.** Properly maintained cutting tools with sharp cutting edges are less likely to bind and are easier to control.
- Use the power tool, accessories and tool bits etc. in accordance with these instructions and in the manner intended for the particular type of power tool, taking into account the working conditions and the work to be performed.** Use of the power tool for operations different from those intended could result in a hazardous situation.

h) **Keep handles and grasping surfaces dry, clean and free from oil and grease.** Slippery handles and grasping surfaces do not allow for safe handling and control of the tool in unexpected situations.

5) Battery tool use and care

- Recharge only with the charger specified by the manufacturer.** A charger that is suitable for one type of battery pack may create a risk of fire when used with another battery pack.
- Use power tools only with specifically designated battery packs.** Use of any other battery packs may create a risk of injury and fire.
- When battery pack is not in use, keep it away from other metal objects, like paper clips, coins, keys, nails, screws or other small metal objects, that can make a connection from one terminal to another.** Shorting the battery terminals together may cause burns or a fire.

d) Under abusive conditions, liquid may be ejected from the battery; avoid contact. If contact accidentally occurs, flush with water. If liquid contacts eyes, additionally seek medical help. Liquid ejected from the battery may cause irritation or burns.

e) Do not use a battery pack or tool that is damaged or modified. Damaged or modified batteries may exhibit unpredictable behaviour resulting in fire, explosion or risk of injury.

f) Do not expose a battery pack or tool to fire or excessive temperature. Exposure to fire or temperature above 130 °C may cause explosion.

g) Follow all charging instructions and do not charge the battery pack or tool outside the temperature range specified in the instructions. Charging improperly or at temperatures outside the specified range may damage the battery and increase the risk of fire.

6) Service

a) Have your power tool serviced by a qualified repair person using only identical replacement parts. This will ensure that the safety of the power tool is maintained.

b) Never service damaged battery packs. Service of battery packs should only be performed by the manufacturer or authorized service provider.

POLE HEDGE TRIMMER SAFETY WARNINGS



WARNING! This appliance is not intended for use by persons (including children) with reduced physical, sensory or mental capabilities, or lack of experience and knowledge, unless they have been given supervision or instruction concerning use of the appliance by a person responsible for their safety. Children should be supervised to ensure that they do not play with the appliance.

• **Keep all parts of the body away from the cutter blade.** Do not remove cut material or hold material to be cut when blades are moving. Make sure the switch is off when clearing jammed material. A moment of inattention while operating the hedge trimmer may result in serious personal injury.

• **Carry the hedge trimmer by the handle with the cutter blade stopped.** When transporting or storing the hedge trimmer always fit the blade cover. Proper handling of the hedge trimmer will reduce possible personal injury from the cutter blades.

• **Hold the pole hedge trimmer by insulated gripping surfaces only, because the cutter blade may contact hidden wiring or its own cord.** Cutter blades contacting a "live" wire may make exposed metal parts of the power tool "live" and could give the operator an electric shock.

• **Perform visual inspection on the hedge being trimmed.** Ensure that there are no wire fences or foreign objects that may come into contact with the Pole Hedge Trimmer during operation.

• **Inspect and maintain the Pole Hedge Trimmer regularly.** Have the Pole Hedge Trimmer repaired by an authorized repairer.

• Never allow children or people unfamiliar with these instructions to use the Pole Hedge Trimmer.

• Avoid using the Pole Hedge Trimmer, while people, especially children or pets are nearby.

• Use the Pole Hedge Trimmer only in daylight.

• Never operate the Pole Hedge Trimmer with a damaged cutting blade.

• Switch on the Pole Hedge Trimmer only when hands and feet are away from the cutting blades.

• Use only manufacturer's recommended replacement parts and accessories.

• Always disconnect the battery from the Pole Hedge Trimmer and put the blade cover on when leaving the Pole Hedge Trimmer unattended.

• Disconnect the battery from the Pole Hedge Trimmer before carrying out any maintenance or cleaning work.

• When not in use, store the Pole Hedge Trimmer out of the reach of children

• Face the cutting blades away from yourself, other people and animals while the power is connected to the Pole Hedge Trimmer (especially during operation).

• Use both handles and shoulder strap.

• Keep ventilation openings clear of debris. Keep handles dry, clean and free of oil and grease.

• Never reach underneath the Pole Hedge Trimmer cutting blades until it has completely stopped and the power has been disconnected.

• **Carry the hedge trimmer by the handle with the blade stopped and taking care not to operate any power switch.** Proper carrying of the hedge trimmer will decrease the risk of inadvertent starting and resultant personal injury from the blades.

• **When transporting or storing the hedge trimmer, always fit the blade cover.** Proper handling of the hedge trimmer will decrease the risk of personal injury from the blade.

• **When clearing jammed material or servicing the unit, make sure all power switches are off and the battery pack is removed or disconnected.** Unexpected actuation of the hedge trimmer while clearing jammed material or servicing may result in serious personal injury.

• **Do not use the hedge trimmer in bad weather conditions, especially when there is a risk of lightning.** This decreases the risk of being struck by lightning.

• **To reduce the risk of electrocution, never use the extended-reach hedge trimmer near any electrical power lines.** Contact with or use near power lines may cause serious injury or electric shock resulting in death.

• **Always use two hands when operating the extended-reach hedge trimmer.** Hold the extended-reach hedge trimmer with both hands to avoid loss of control.

• **Always use head protection when operating the extended-reach hedge trimmer overhead.** Falling debris can result in serious personal injury.

• **Keep all power cords and cables away from cutting area.** Power cords or cables may be hidden in hedges or bushes and can be accidentally cut by the blade.



WARNING! When servicing, use only identical replacement parts. Use of any other parts may create a hazard or cause product damage. To ensure safety and reliability, all repairs should be performed by a qualified service technician.

SPARE PARTS

Spare parts can be ordered from the Special Orders Desk at your local Bunnings Warehouse. For further information, or any parts not listed here, visit www.ozito.com.au or contact Ozito Customer

Service:

Australia 1800 069 486

New Zealand 0508 069 486

E-mail: enquiries@ozito.com.au

CARING FOR THE ENVIRONMENT



Power tools that are no longer usable should not be disposed of with household waste but in an environmentally friendly way. Please recycle where facilities exist. Check with your local council authority for recycling advice.



Recycling packaging reduces the need for landfill and raw materials. Reuse of recycled material decreases pollution in the environment. Please recycle packaging where facilities exist. Check with your local council authority for recycling advice.

TROUBLESHOOTING

Problem	Possible Cause	Remedy
Pole Hedge Trimmer will not work	Battery is low in charge	Charge battery
	Battery not inserted properly	Insert battery pack correctly
Blades are not cutting smoothly	Dull and/or damaged blade	Contact Ozito customer service
	Blades are binding due to lack of lubrication	Lubricate the blade with light machine oil or a spray lubricant

Battery Protection System

The tool is equipped with the battery protection system, which helps to ensure a long service life.

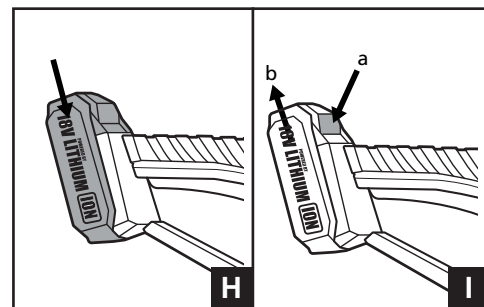
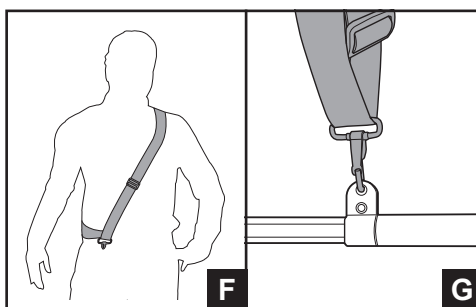
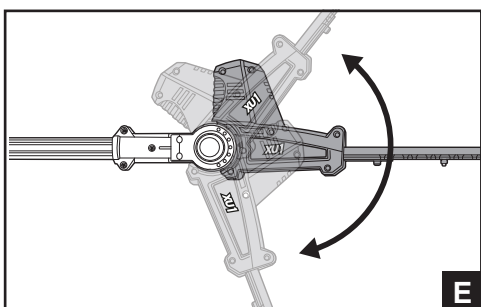
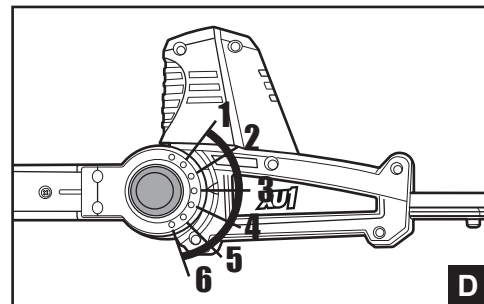
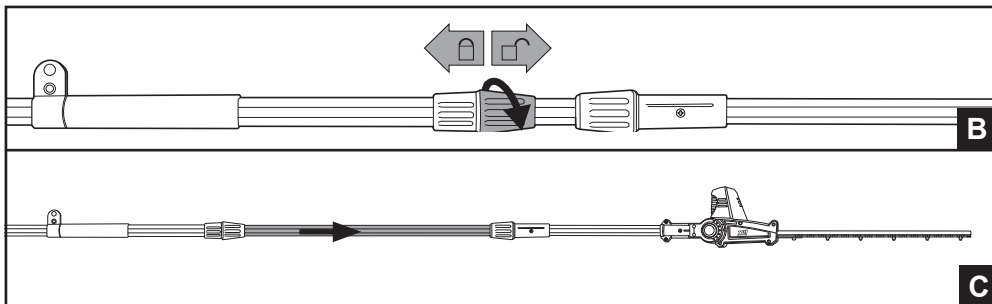
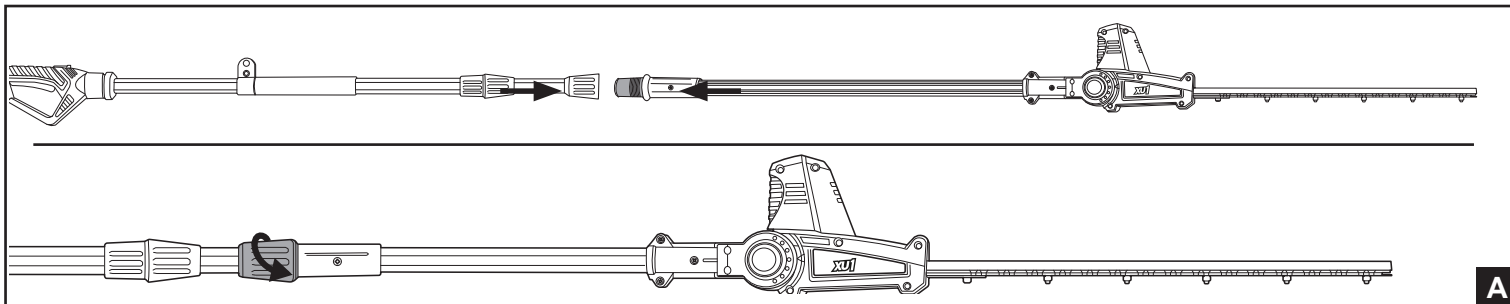
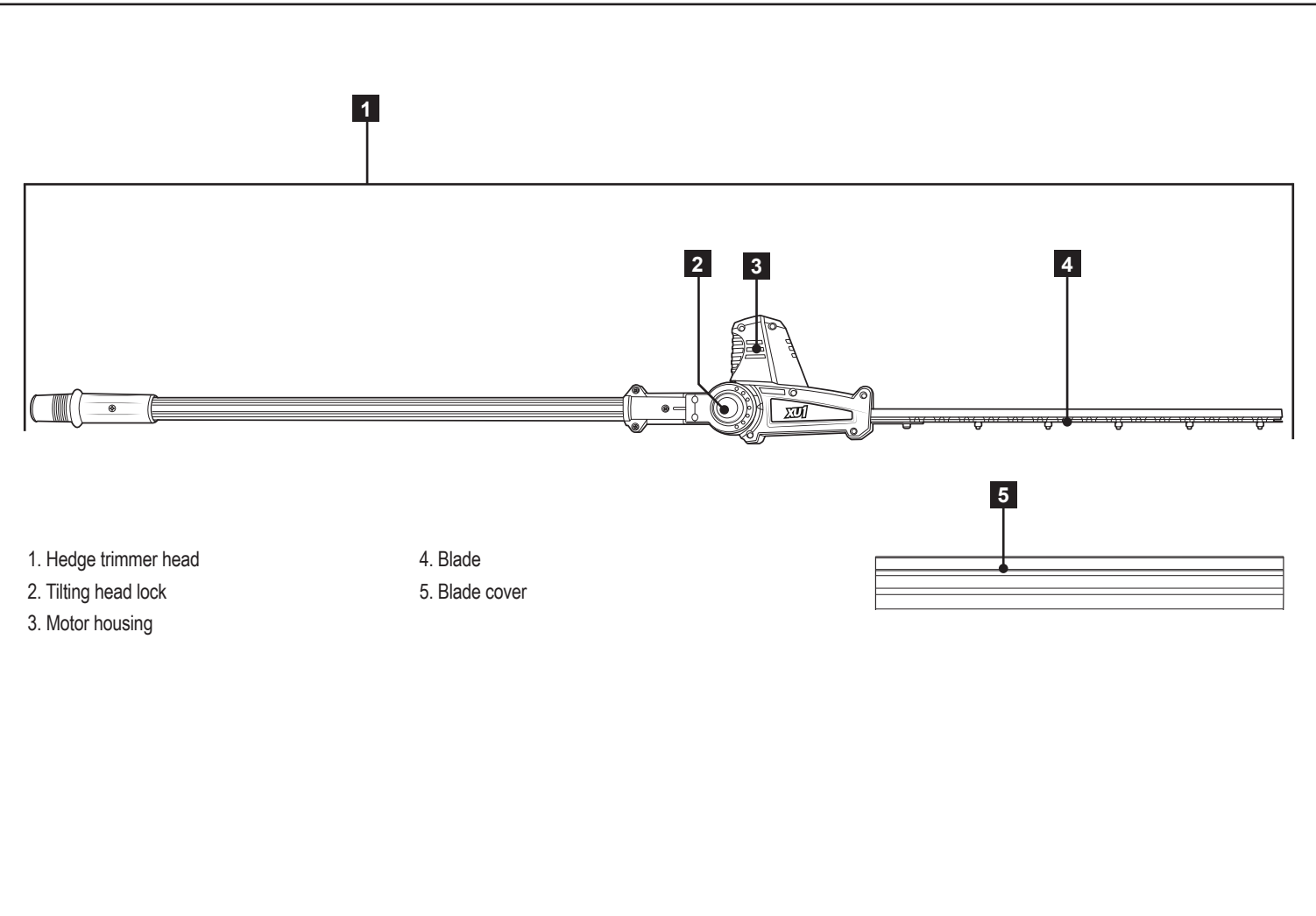
The output power automatically cuts off during operation when the tool and battery are placed under the following situations:

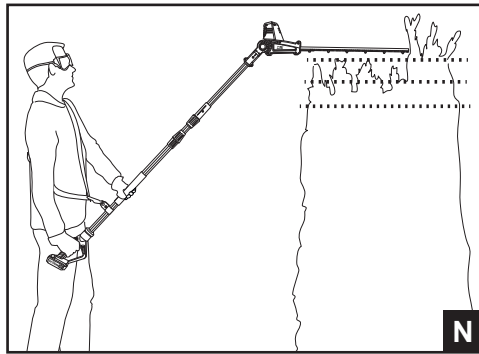
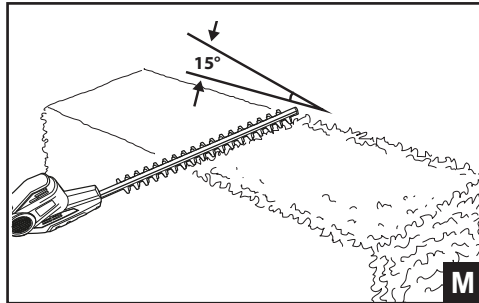
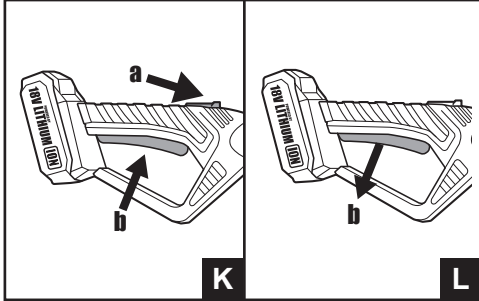
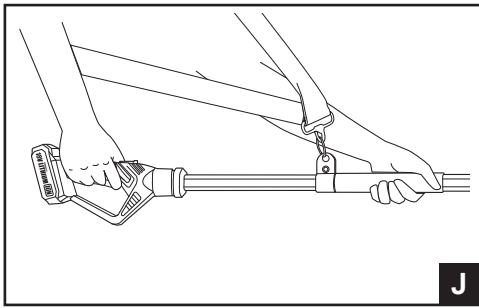
• **When tool is overloaded:**

If this occurs, turn off the tool and let it cool down for 10 mins, remove the cause of overload, then resume operation.

• **When the remaining battery capacity becomes low:**

Recharge the battery pack.





SPECIFICATIONS

Voltage: 18V

Cutting Length: 350mm

Blade Length: 410mm

Cutting Capacity Max.: Ø12mm

No Load Speed: 2,300rpm

Telescopic Range: 2.30 — 2.93m

Tool Weight: 4.7kg

PROPER USE

This tool is intended for use in a DIY (Do It Yourself) context or for hobbyist purposes. It is not built for continuous daily use in a trade or professional capacity.

Before using the machine, carefully read these instructions, especially the safety rules to help ensure that your machine always operates properly.

Before attempting to operate the machine, familiarise yourself with the controls and make sure you know how to stop the machine quickly in an emergency.

Save these instructions and the other documents supplied with this machine for future reference.

ASSEMBLY



WARNING! Ensure the tool is turned off and battery disconnected before performing any of the following operations.



WARNING! The blade has sharp edges, for your own safety, please wear work gloves. Never touch the blade or service the unit with the battery pack installed.

Fitting the Hedge Trimmer Attachment

1. Push the hedge trimmer head fully onto extension pole aligning the internal prongs, then screw tight with the attachment lock-nut **FIG. A**.

SETUP & PREPARATION

Adjusting the Telescopic Length

1. To unlock the telescopic tube lock, twist the collar in a clockwise direction while pointing the trimmer blade away from the user. The locking and unlocking directions are indicated on the locking collar **FIG. B**.
2. With the lock released, the telescopic tube can be pulled forward out of the collar, thereby extending its reach **FIG. C**.
3. To lock in the desired position, firmly twist the telescopic tube lock collar in an anti-clockwise direction, while pointing the trimmer blade away from the user.

Adjusting the Blade Angle



WARNING! Do Not hold the blade in an attempt to adjust the blade angle. Doing so may result in possible personal injury.

The blade can be tilted to 6 different angles for ease of cutting in different conditions.

1. Firmly grip the motor housing of the trimmer, then press and hold the tilting head lock to release. **FIG. D**
2. Tilt the motor housing to any of the 6 preset angles, then release the tilting head lock. **FIG. E**.

Attaching the Shoulder Strap



WARNING! Always use the shoulder strap when working with the pole Hedge trimmer. Attach the strap before switching on. Switch off the unit before you take off the shoulder strap.

1. Wear the shoulder strap so that it lies over your left shoulder **FIG. F**.
2. Fasten the carabiner hook on the shoulder strap to the shoulder strap retainer. Using the strap adjuster on the shoulder strap, make adjustments until you achieve the most comfortable working and trimming position **FIG. G**

Note: If necessary you can adjust the position of the shoulder strap retainer on the extension tube. To do so, loosen the wing nut and move the shoulder strap retainer as required and then retighten the wing nut.

Blade Cover

The cover protects blade when not in use. Simply slide it off the blade before use. Once finished operating, place the cover back over the blade.

Inserting & Removing the Battery

1. To insert, align the ribs of the battery with the battery recess and slide the battery in so that it clicks into place **FIG. H**.
2. To remove, first press and hold the battery release tab (a), then slide the battery out (b) **FIG. I**.

Protective Clothing

Make absolutely sure to wear the appropriate, close fitting protective clothing, such as protective pants, gloves and safety shoes. Wear hearing protection and protective goggles a safety helmet with a face guard will provide protection against falling and recoiling branches.

OPERATION



WARNING! Familiarise yourself with surrounding hazards such as power lines, phone lines, metal fences and other objects that could be in your path, failure to do so could result in electrical shock, personal injury or damage to your pole hedge trimmer.

Starting & Stopping

Before starting the pole hedge trimmer,

- Remove the blade cover.
- Make sure you have a secure and balanced footing.
- Make sure the blade is not touching the ground or any other objects.
- Hold the unit with both hands: one hand on the rear handle and one hand on the extension pole soft grip **FIG. J**.
- You are wearing the appropriate protective clothing.

To Start the Pole Hedge Trimmer



WARNING! Never start the pole hedge trimmer while the blade cover is fitted.

For user safety the safety switch and on/off trigger must be operated simultaneously.

1. Slide the safety switch (a) to the front with your thumb and hold, then squeeze the on/off trigger (b) **FIG. K**.
2. The chain will now be running ready to make a cut. Release the safety switch (a)

To Stop the Pole Hedge Trimmer

3. Release the on/off trigger (b). The blade and motor will quickly stop **FIG. L**.

APPLICATIONS



WARNING! Do not operate the pole hedge trimmer in a tree, on a ladder, from a rooftop, or any unstable support. Operation of a pole hedge trimmer in this manner could result in serious personal injury.



WARNING! Ensure appropriate care is taken when cutting above shoulder height.

Trimming

- **Trimming New Growth** Using a wide sweeping motion, feed the blade teeth through the twigs. A slight downward tilt of the blade, in the direction of motion gives the best cut. **FIG. M**.

Note: Do not use the pole hedge trimmer for cutting stems greater than Ø12mm. Use the trimmer only for cutting normal shrubbery found around houses and buildings.

- **Level Hedges** To obtain exceptionally level hedges a piece of string can be stretched along the length of the hedge as a guide.
- **Side-Trimming Hedges.** Hold the pole hedge trimmer and begin at the bottom and sweep up.
- **Cutting sequence.** First cut both sides, starting at the bottom and work to the top: this prevents cuttings from falling into the area where you are still working.
- **Trimming the top.** Where the branches have grown extremely long, cut back the hedge in several stages **FIG. N**.
- **General information.** When older hedges are to be cut back a substantial amount, use pruning shears or some other device to trim thicker branches (**greater than 12mm diameter**) to the desired length before starting work with the pole hedge trimmer.

Ensure the blades do not come into contact with any object made of hard material that could damage the blades, such as wire fencing or metal plant supports.



WARNING! If the blades comes in contact with a hard object, visually inspect the blade for damage. If the blade is damaged, do not continue to operate the pole hedge trimmer.

MAINTENANCE



WARNING! Before cleaning your pole hedge trimmer or carry out any maintenance procedure, make sure that the motor is off and the battery removed to prevent accidental starting.



WARNING! Always wear gloves when handling the blade as it is very sharp and can cut you when it is not moving.

Cleaning and Storage

- When not in use, the Pole Hedge Trimmer should be stored in a dry, frost free location not within the reach of children.
- Keep ventilation slots of the Pole Hedge Trimmer clean at all times and prevent any foreign matter from entering.
- If the enclosure of the Pole Hedge Trimmer requires cleaning do not use solvents but a moist cloth only.
- There are no user serviceable parts in the Pole Hedge Trimmer; if a fault is suspected, please contact Ozito customer service.
- The blade rail should be cleaned and treated with light machine oil or spray lubricant (such as WD40, CRC 5.56 or RP7) after each use. When a job lasts for a longer period of time it is recommended that the blade rail also be treated with spray lubricant at regular intervals during operation.
- Always replace the protective cover for transport or storage of the pole hedge trimmer.
- Never immerse the machine in water or other liquids in order to clean it.

Note: The pole hedge trimmer warranty does not cover components that have been subjected to operator abuse or negligence. To receive full value from the warranty, the operator must maintain the pole hedge trimmer as instructed in this manual.

Note: Ozito Industries will not be responsible for any damage or injuries caused by the repair of the pole hedge trimmer by an unauthorised person or by mishandling of the pole hedge trimmer. This tool is designed for DIY use - use in commercial or industrial environments will void the warranty.

WARRANTY

YOUR WARRANTY FORM SHOULD BE RETAINED BY YOU AT ALL TIMES. IN ORDER TO MAKE A CLAIM UNDER THIS WARRANTY YOU MUST RETURN THE PRODUCT TO YOUR NEAREST BUNNINGS WAREHOUSE WITH YOUR BUNNINGS REGISTER RECEIPT. PRIOR TO RETURNING YOUR PRODUCT FOR WARRANTY. PLEASE TELEPHONE OUR CUSTOMER SERVICE HELPLINE:

Australia 1800 069 486

New Zealand 0508 069 486

TO ENSURE A SPEEDY RESPONSE PLEASE HAVE THE MODEL NUMBER AND DATE OF PURCHASE AVAILABLE. A CUSTOMER SERVICE REPRESENTATIVE WILL TAKE YOUR CALL AND ANSWER ANY QUESTIONS YOU MAY HAVE RELATING TO THE WARRANTY POLICY OR PROCEDURE.

The benefits provided under this warranty are in addition to other rights and remedies which are available to you at law.

Our goods come with guarantees that cannot be excluded at law. You are entitled to a replacement or refund for a major failure and for compensation for any other reasonably foreseeable loss or damage. You are also entitled to have the goods repaired or replaced if the goods fail to be of acceptable quality and the failure does not amount to a major failure.

Generally you will be responsible for all costs associated with a claim under this warranty, however, where you have suffered any additional direct loss as a result of a defective product you may be able to claim such expenses by contacting our customer service helpline above.

1 YEAR REPLACEMENT WARRANTY

Your product is guaranteed for a period of 12 months from the original date of purchase and is intended for DIY (Do It Yourself) use only. If a product is defective it will be replaced in accordance with the terms of this warranty. Warranty excludes consumable parts, for example: Bearings, blade cover and included accessories.

WARNING

The following actions will result in the warranty being void.

- Professional, Industrial or high frequency use.
- If the tool has been operated on a supply voltage other than that specified on the tool.
- If the tool shows signs of damage or defects caused by or resulting from abuse, accidents or alterations.
- Failure to perform maintenance as set out within the instruction manual.
- If the tool is disassembled or tampered with in any way.

XU1

Australia/New Zealand (Head Office)

Ozito Industries Pty. Ltd. 25 Fox Drive, Dandenong South, Victoria, Australia 3175

Operating instructions

XLBP-0185

REPLACEMENT WARRANTY
12 MONTHS HOME USE



18V
Battery
1.5Ah Lithium Ion
ION

XU1 Power tools

Ozito Industries Pty. Ltd. 25 Fox Drive, Dandenong South, Victoria, Australia 3175

Telephone: 1800 069 486 (Aus), 0508 069 486 (NZ)

XLBP-0185 0222

SAFETY INSTRUCTIONS

DESCRIPTION OF SYMBOLS



Read instruction manual

V	Volts
Hz	Hertz
~	Alternating current
Wh	Watt hours
dc/---	Direct current
Ah	Amp hour



Warning



Regulatory Compliance Mark (RCM)



Do not put in rubbish



Do not incinerate



Do not use or store battery in temperatures exceeding 40°C

MAX. 40°C



Lithium Ion-battery

Li-ion



Recycle battery

RECY



Do not get battery wet

ELECTRICAL SAFETY



WARNING! When using mains-powered tools, basic safety precautions, including the following, should always be followed to reduce risk of fire, electric shock, personal injury and material damage.

Read the whole manual carefully and make sure you know how to switch the tool off in an emergency, before operating the tool.

Save these instructions and other documents supplied with this tool for future reference.

This tool has been designed for 230V and 240V only. Always check that the power supply corresponds to the voltage on the rating plate.

Note: The supply of 230V and 240V on Ozito tools are interchangeable for Australia and New Zealand.

This tool's charger is double insulated; therefore no earth wire is required.

Using an Extension Lead

Always use an approved extension lead suitable for the power input of this tool. Before use, inspect the extension lead for signs of damage, wear and ageing. Replace the extension lead if damaged or defective.

When using an extension lead on a reel, always unwind the lead completely. Use of an extension lead not suitable for the power input of the tool or which is damaged or defective may result in a risk of fire and electric shock.

The power supply for this product should be protected by a residual current device (rated at 30mA or less). A residual current device reduces the risk of electric shock.

This appliance is not intended for use by persons (including children) with reduced physical, sensory or mental capabilities, or lack of experience and knowledge, unless they have been given supervision or instruction concerning use of the appliance by a person responsible for their safety.

Children should be supervised to ensure that they do not play with the appliance.

BATTERY SAFETY WARNINGS

BEFORE USING THE CHARGER OR BATTERY READ ALL INSTRUCTIONS AND CAUTIONARY MARKINGS ON THE CHARGER, BATTERY PACK AND THE PRODUCT USING THE BATTERY PACK. DO NOT LOSE THESE SAFETY INSTRUCTIONS.

1. The battery pack is not fully charged out of the carton. First read the safety instructions and then follow the charging notes and procedures.
2. For optimum battery performance avoid low discharge cycles. Charge the battery pack frequently.
3. Use and store the battery pack in dry conditions with low humidity between 0-40°C, ideally at 15°C. Avoid exposing battery pack and charger to direct sunlight.
4. Do not keep battery pack in places where temperatures are liable to reach over 40°C, such as in a car, metal shed or similar that is in direct sunlight.
5. Do not ignite the battery pack or expose it to fire. There is a risk of explosion!
6. Do not exhaustively discharge batteries. Exhaustive discharge will damage the battery cells. The most common cause of exhaustive discharge is long-term storage and continued use of low-charge batteries. Always store the battery with some charge. Charge the batteries every 2-3 months to restore charge. Stop working as soon as the performance of the battery falls noticeably or the electronic protection system triggers.
7. Protect batteries and the tool from overloads. Overloads will quickly result in overheating and cell damage inside the battery housing without this overheating being apparent externally.
8. Avoid damage and shocks. Do not use batteries which have been dropped from a height of more than one meter or strong external impact, even if the housing of the battery pack appears to be undamaged. The battery cells inside the battery may have suffered serious damage.
9. If the battery pack suffers overloading and overheating, the integrated protective cut-off will switch off the equipment. Do not press the ON/OFF switch on the tool if the protective cut-off has actuated. This may damage the battery pack. Allow the battery to cool to room temperature before use.
10. Use only original battery packs. The use of other batteries may result in injuries, explosion and a fire risk.
11. Protect your rechargeable battery against moisture, rain and high humidity. Moisture, rain and high humidity can cause dangerous cell damage. Never charge or use batteries which have been exposed to moisture, rain or high humidity.
12. Never attempt to open the battery pack for any reason. If the plastic housing of the battery pack is damaged, do not use the battery.
13. When battery pack is not in use, keep it away from other metal objects, like paper clips, coins, keys, nails, screws or other small metal objects, that can make a connection from one terminal to another. Shorting the battery terminals together may cause burns or a fire.
14. Under abusive conditions, liquid may be ejected from the battery; avoid contact. If accidental contact occurs, flush with water and seek medical help immediately. Liquid ejected from the battery may cause irritation or burns.
15. Do not use a battery pack or tool that is damaged or modified. Damaged or modified batteries may exhibit unpredictable behaviour resulting in fire, explosion or risk of injury.
16. Do not expose a battery pack or tool to fire or excessive temperature. Exposure to fire or temperature above 130 °C may cause explosion.
17. Never service damaged battery packs. Service of battery packs should only be performed by the manufacturer.
18. Do not disassemble Battery. This may result in a risk of electric shock, electrocution or fire.
19. The longest life and best performance can be obtained if the battery pack is charged when the air temperature is between 18-24°C. Do not charge the battery pack in an air temperature below 10C or above 40°C. This is important and will prevent damage to the battery pack.
20. During charging, the battery must be placed in a well ventilated area.

SPECIFICATIONS

Input Voltage: 18V

Battery Capacity: 1.5Ah Li-Ion

Power Consumption: 27Wh

Tool Weight: 0.390kg

PROPER USE



ALWAYS WEAR EYE, FACE AND EAR PROTECTION

This tool is intended for use in a DIY (Do It Yourself) context or for hobbyist purposes. It is not built for continuous daily use in a trade or professional capacity.

Before using the machine, carefully read these instructions, especially the safety rules to help ensure that your machine always operates properly.

Before attempting to operate the machine, familiarise yourself with the controls and make sure you know how to stop the machine quickly in an emergency.

Save these instructions and the other documents supplied with this machine for future reference.



WARNING! Ensure the tool is turned off and disconnected from the power supply before performing any of the following operations.

CONTROLS

Battery Charge Indicator

The included battery is equipped with a battery charge indicator to show the state of the battery charge.

To check the battery capacity, press the button to the side of the indicator LEDs.

1 GREEN LED indicates that the battery has only a low charge and requires charging.



2 GREEN LEDs indicate that the battery has mid state of charge.



3 GREEN LEDs indicate that the battery is fully charged.



OPERATION

Charging Your Battery



WARNING! To reduce the risk of electrical shock, we recommend the use of a residual current device rated 30mA or less.

Allow at least 3 hours of charge time before initial use of the battery. Charge 18V Li-ion battery pack **XLBP-0185** only with the **XLCH-0185** charger. The battery should be charged in a cool dry place. It will take 2 to 3 charging/discharging cycles before the battery achieves maximum run time capacity.

NOTE: The battery will not develop a memory, it does not have to be fully discharged before recharging.

1. Connect the charging adaptor into the mains power outlet.
2. The charger LED will flash green showing power is being supplied to the charger.
3. With the battery sitting on a flat surface, align the raised ribs on the battery with the recess in the charger cradle and slide onto the battery ensuring a firm connection.
4. The charger LED will illuminate red signifying that the battery is charging. Battery is fully charged after 4-5 hours, green LED will illuminate.
5. When removing the charger from the battery, first press the battery release tab, then slide the cradle from its position.

NOTE: The battery pack can become a little warm during the charging. This is normal.

CARING FOR THE ENVIRONMENT



Power tools that are no longer usable should not be disposed of with household waste but in an environmentally friendly way. Please recycle where facilities exist. Check with your local council authority for recycling advice.



Recycling packaging reduces the need for landfill and raw materials. Reuse of recycled material decreases pollution in the environment. Please recycle packaging where facilities exist.

Check with your local council authority for recycling advice.

WARRANTY

YOUR WARRANTY FORM SHOULD BE RETAINED BY YOU AT ALL TIMES. IN ORDER TO MAKE A CLAIM UNDER THIS WARRANTY YOU MUST RETURN THE PRODUCT TO YOUR NEAREST BUNNINGS WAREHOUSE WITH YOUR BUNNINGS REGISTER RECEIPT. PRIOR TO RETURNING YOUR PRODUCT FOR WARRANTY. PLEASE TELEPHONE OUR CUSTOMER SERVICE HELPLINE:

Australia 1800 069 486

New Zealand 0508 069 486

TO ENSURE A SPEEDY RESPONSE PLEASE HAVE THE MODEL NUMBER AND DATE OF PURCHASE AVAILABLE. A CUSTOMER SERVICE REPRESENTATIVE WILL TAKE YOUR CALL AND ANSWER ANY QUESTIONS YOU MAY HAVE RELATING TO THE WARRANTY POLICY OR PROCEDURE.

The benefits provided under this warranty are in addition to other rights and remedies which are available to you at law.

Our goods come with guarantees that cannot be excluded at law. You are entitled to a replacement or refund for a major failure and for compensation for any other reasonably foreseeable loss or damage. You are also entitled to have the goods repaired or replaced if the goods fail to be of acceptable quality and the failure does not amount to a major failure.

Generally you will be responsible for all costs associated with a claim under this warranty, however, where you have suffered any additional direct loss as a result of a defective product you may be able to claim such expenses by contacting our customer service helpline above.

1 YEAR REPLACEMENT WARRANTY

Your product is guaranteed for a period of 12 months from the original date of purchase and is intended for DIY (Do It Yourself) use only. If a product is defective it will be replaced in accordance with the terms of this warranty. Warranty excludes consumable parts, for example:

WARNING

The following actions will result in the warranty being void.

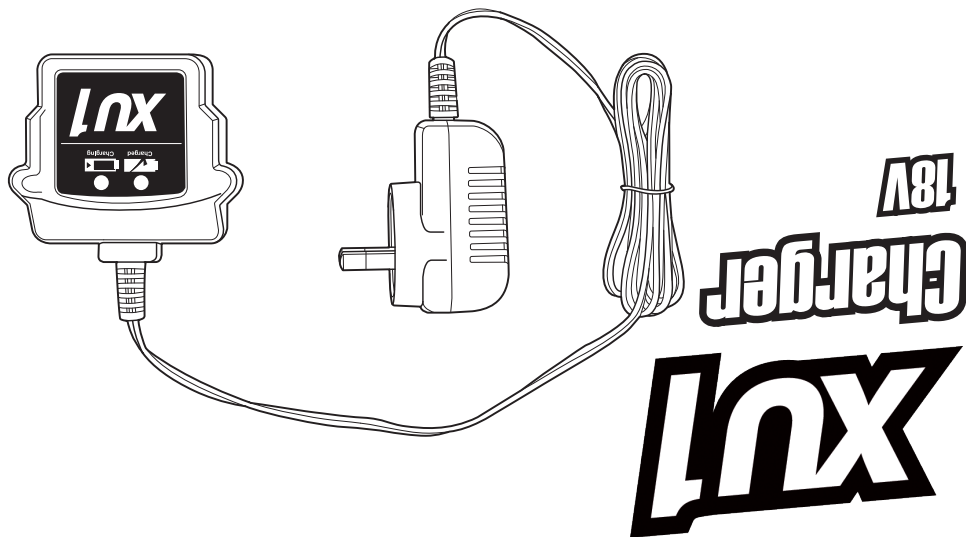
- Professional, Industrial or high frequency use.
- If the tool has been operated on a supply voltage other than that specified on the tool.
- If the tool shows signs of damage or defects caused by or resulting from abuse, accidents or alterations.
- Failure to perform maintenance as set out within the instruction manual.
- If the tool is disassembled or tampered with in any way.

XU1

Australia/New Zealand (Head Office)

Ozito Industries Pty. Ltd. 25 Fox Drive, Dandenong South, Victoria, Australia 3175

REPLACEMENT WARRANTY
12 MONTHS HOME USE



SAFETY INSTRUCTIONS

DESCRIPTION OF SYMBOLS



Read instruction manual

V Volts
Hz Hertz
~ Alternating current
W Watts
dc/--- Direct current
mA Milliamperes



Warning



Regulatory Compliance Mark (RCM)



Double insulated



Indoor use only



Efficiency Level (MEPS)

Transformer Energy Rating (MEPS)



Do not charge battery in temperatures exceeding 40°C

ELECTRICAL SAFETY



WARNING! When using mains-powered tools, basic safety precautions, including the following, should always be followed to reduce risk of fire, electric shock, personal injury and material damage.

Read the whole manual carefully and make sure you know how to switch the tool off in an emergency, before operating the tool.

Save these instructions and other documents supplied with this tool for future reference.

This tool has been designed for 230V and 240V only. Always check that the power supply corresponds to the voltage on the rating plate.

Note: The supply of 230V and 240V on Ozito tools are interchangeable for Australia and New Zealand.

If the supply cord is damaged, it must be replaced by the manufacturer, its service agent or similarly qualified persons in order to avoid hazard.

This tool is double insulated therefore no earth wire is required.



Note: Double insulation does not take the place of normal safety precautions when operating this tool. The insulation system is for added protection against injury resulting from a possible electrical insulation failure within the tool.

Using an Extension Lead

Always use an approved extension lead suitable for the power input of this tool. Before use, inspect the extension lead for signs of damage, wear and ageing. Replace the extension lead if damaged or defective.

When using an extension lead on a reel, always unwind the lead

completely. Use of an extension lead not suitable for the power input of the tool or which is damaged or defective may result in a risk of fire and electric shock.

The power supply for this product should be protected by a residual current device (rated at 30mA or less). A residual current device reduces the risk of electric shock.

This appliance is not intended for use by persons (including children) with reduced physical, sensory or mental capabilities, or lack of experience and knowledge, unless they have been given supervision or instruction concerning use of the appliance by a person responsible for their safety. Children should be supervised to ensure that they do not play with the appliance.

CHARGER SAFETY WARNINGS

BEFORE USING THE CHARGER OR BATTERY READ ALL INSTRUCTIONS AND CAUTIONARY MARKINGS ON THE CHARGER, BATTERY PACK AND THE PRODUCT USING THE BATTERY PACK. DO NOT LOSE THESE SAFETY INSTRUCTIONS.

1. Please check the data marked on the rating plate of the battery charger. Ensure to only connect the battery charger to a power supply with the voltage marked on the rating plate.
2. Protect the battery charger and its cable from damage and sharp edges. Have damaged cables repaired by an authorised service agent before use.
3. Keep the battery charger, batteries and the cordless tool out of children's reach.
4. Do not use damaged battery chargers.
5. Do not use the supplied battery charger to charge other cordless tools. Only charge XU1 rechargeable batteries with an XU1 Charger.
6. The battery pack may become warm during use. Allow the battery pack to cool to room temperature before commencing with the charging.
7. Do not over-charge batteries. Overcharging batteries may result in a risk of fire. Do not exceed the maximum charging times. These charging times only apply to discharged batteries. Frequent insertion of a charged or partly charged battery pack will result in over-charging and cell damage. Do not leave fully charged batteries in the charger.
8. Charge the battery pack in dry conditions with low humidity between 10-40°C. Avoid exposing battery pack and charger to direct sunlight. Charge indoors only.
9. Do not use batteries which have suffered deformation during the charging process or shows any other signs of abnormalities including, excessive curvature of the housing, gassing, hissing or cracking.
10. Never fully discharge the battery pack. A complete discharge of the battery pack will lead to premature ageing of the battery cells.
11. Never charge the batteries unsupervised.
12. Do not cover or place any object on top of the charger, place the charger away from heat sources.
13. To reduce risk of damage to the electric plug and cord, pull by the plug rather than the cord when disconnecting the charger.
14. Make sure the cord is located so that it will not be stepped on, tripped over, or otherwise subjected to damage or stress.
15. An extension cord should not be used unless necessary. Use of an improper extension cord could result in the risk of fire, electric shock or electrocution.
16. Do not disassemble charger. This may result in a risk of electric shock, electrocution or fire.
17. To reduce risk of electric shock, unplug the charger from the outlet before attempting any cleaning. Removing the battery pack will not reduce this risk.
18. Do not use the cordless tool or the battery charger near vapours and inflammable liquids.
19. Keep away from readily combustible material whilst charging.

XU1 Power tools

Ozito Industries Pty. Ltd. 25 Fox Drive, Dandenong South, Victoria, Australia 3175

Telephone: 1800 069 486 (Aus), 0508 069 486 (NZ)

SPECIFICATIONS

Charge Time: 4-5 Hours (1.5Ah)

Input: 100-240VAC, 50-60Hz, 14.5W

Output: 21V DC, 400mA

Tool Weight: 0.116kg

PROPER USE



ALWAYS WEAR EYE, FACE AND EAR PROTECTION

This tool is intended for use in a DIY (Do It Yourself) context or for hobbyist purposes. It is not built for continuous daily use in a trade or professional capacity.

Before using the machine, carefully read these instructions, especially the safety rules to help ensure that your machine always operates properly.

Before attempting to operate the machine, familiarise yourself with the controls and make sure you know how to stop the machine quickly in an emergency.

Save these instructions and the other documents supplied with this machine for future reference.



WARNING! Ensure the tool is turned off and disconnected from the power supply before performing any of the following operations.

CONTROLS

Charger LED Indicators

LED Indicator	Situation
GREEN (Flashing)	Stand By (no battery pack is inserted)
RED (Illuminated)	Battery is charging (low charge)
GREEN (Illuminated)	Battery is fully charged.
GREEN & RED (Flashing)	Battery is faulty
GREEN & RED (Illuminated)	Battery is too hot. Remove battery from charger a let cool. Insert battery again when at room temperature

OPERATION

Charging Your Battery



WARNING! To reduce the risk of electrical shock, we recommend the use of a residual current device rated 30mA or less.

Allow at least 3 hours of charge time before initial use of the battery. Charge 18V Li-ion battery pack **XLBP-0185** only with the **XLCH-0185** charger. The battery should be charged in a cool dry place. It will take 2 to 3 charging/discharging cycles before the battery achieves maximum run time capacity.

NOTE: The battery will not develop a memory, it does not have to be fully discharged before recharging.

1. Connect the charging adaptor into the mains power outlet.
2. The charger LED will flash green showing power is being supplied to the charger.
3. With the battery sitting on a flat surface, align the raised ribs on the battery with the recess in the charger cradle and slide onto the battery ensuring a firm connection.
4. The charger LED will illuminate red signifying that the battery is charging. Battery is fully charged after 4-5 hours, green LED will illuminate.
5. When removing the charger from the battery, first press the battery release tab, then slide the cradle from its position.

NOTE: The battery pack can become a little warm during the charging. This is normal.

CARING FOR THE ENVIRONMENT



Power tools that are no longer usable should not be disposed of with household waste but in an environmentally friendly way. Please recycle where facilities exist. Check with your local council authority for recycling advice.



Recycling packaging reduces the need for landfill and raw materials. Reuse of recycled material decreases pollution in the environment. Please recycle packaging where facilities exist.

Check with your local council authority for recycling advice.

WARRANTY

YOUR WARRANTY FORM SHOULD BE RETAINED BY YOU AT ALL TIMES. IN ORDER TO MAKE A CLAIM UNDER THIS WARRANTY YOU MUST RETURN THE PRODUCT TO YOUR NEAREST BUNNINGS WAREHOUSE WITH YOUR BUNNINGS REGISTER RECEIPT. PRIOR TO RETURNING YOUR PRODUCT FOR WARRANTY. PLEASE TELEPHONE OUR CUSTOMER SERVICE HELPLINE:

Australia 1800 069 486

New Zealand 0508 069 486

TO ENSURE A SPEEDY RESPONSE PLEASE HAVE THE MODEL NUMBER AND DATE OF PURCHASE AVAILABLE. A CUSTOMER SERVICE REPRESENTATIVE WILL TAKE YOUR CALL AND ANSWER ANY QUESTIONS YOU MAY HAVE RELATING TO THE WARRANTY POLICY OR PROCEDURE.

The benefits provided under this warranty are in addition to other rights and remedies which are available to you at law.

Our goods come with guarantees that cannot be excluded at law. You are entitled to a replacement or refund for a major failure and for compensation for any other reasonably foreseeable loss or damage. You are also entitled to have the goods repaired or replaced if the goods fail to be of acceptable quality and the failure does not amount to a major failure.

Generally you will be responsible for all costs associated with a claim under this warranty, however, where you have suffered any additional direct loss as a result of a defective product you may be able to claim such expenses by contacting our customer service helpline above.

1 YEAR REPLACEMENT WARRANTY

Your product is guaranteed for a period of 12 months from the original date of purchase and is intended for DIY (Do It Yourself) use only. If a product is defective it will be replaced in accordance with the terms of this warranty. Warranty excludes consumable parts, for example:

WARNING

The following actions will result in the warranty being void.

- Professional, Industrial or high frequency use.
- If the tool has been operated on a supply voltage other than that specified on the tool.
- If the tool shows signs of damage or defects caused by or resulting from abuse, accidents or alterations.
- Failure to perform maintenance as set out within the instruction manual.
- If the tool is disassembled or tampered with in any way.

XU1

Australia/New Zealand (Head Office)

Ozito Industries Pty. Ltd. 25 Fox Drive, Dandenong South, Victoria, Australia 3175