

# Mondella

INS A64 V1  
23/05/18

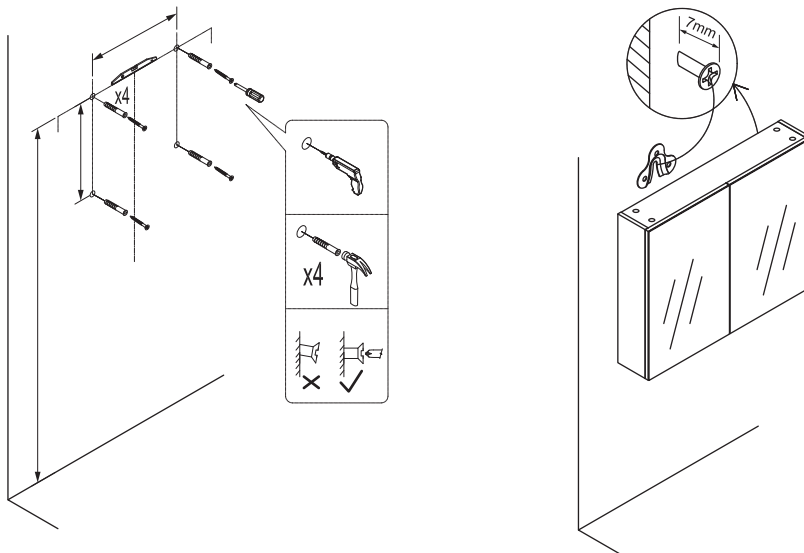
## 750MM SHAVING CABINET INSTALLATION GUIDE

### IMPORTANT

- Prior to installation, all parts and components should be thoroughly inspected for defects. This product will not be warranted if it has been installed with pre-existing defects.
- This product must not be installed in an area where it may be exposed to splashing water from a bath or shower.
- The included wall plugs are for use with solid walls only. It is the installer's responsibility to ensure that suitable fixings are used and that the product is mounted to a structure capable of supporting the weight of the cabinet when fully loaded.

### INSTALLATION

1. Measure the distance between the centres of the fixing brackets on the back of the cabinet and transfer those measurements to the wall.
2. Using an appropriate drill bit (e.g. masonry bit for tiles), drill holes in the marked out locations.  
Note: ensure there are no hidden cables or pipes in the wall prior to drilling.
3. Insert the wall plugs.
4. Install the screws, leaving approximately 7mm protruding from the wall.
5. Position the cabinet against the wall and slide downwards to allow the fixing brackets to catch onto the exposed screw heads. Fine-tune the depth of the screws to achieve a snug fit.



### CARE & MAINTENANCE

- The cabinet is moisture resistant, not waterproof. Damage may occur if the cabinet is exposed to water for extended periods of time. Excess water should be wiped dry at the earliest opportunity. Ensure the bathroom has adequate ventilation to prevent moisture build up.
- Clean with a soft cloth and warm water. Do not use abrasive cleaners or harsh chemicals. Ensure cabinet is adequately dried after cleaning. Avoid leaving toothpaste or residues from other bathroom products on the surface for extended periods.