



MIMOSA®

Cordoba Charcoal Bench
Installation Guide

The first part of the paper discusses the importance of maintaining accurate records in a business. It highlights how these records can be used for various purposes, such as tax reporting, legal compliance, and financial analysis. The author emphasizes that businesses should invest in reliable record-keeping systems to ensure the integrity and accuracy of their data.

Next, the paper explores the challenges associated with data management in a digital age. As businesses collect vast amounts of data, they face the task of organizing, storing, and securing this information. The author suggests that implementing robust data governance policies and utilizing cloud-based storage solutions can help address these challenges effectively.

The third section of the paper focuses on the role of data in decision-making. It argues that businesses should leverage their data to gain valuable insights into their operations and market trends. By using data analytics tools, companies can identify patterns, forecast future performance, and make informed decisions that drive growth and profitability.

Finally, the paper concludes by discussing the importance of data privacy and security. With the increasing awareness of data breaches and the implementation of strict regulations, businesses must prioritize protecting their data. This involves implementing strong security protocols, conducting regular audits, and ensuring that all data handling practices comply with relevant laws and industry standards.

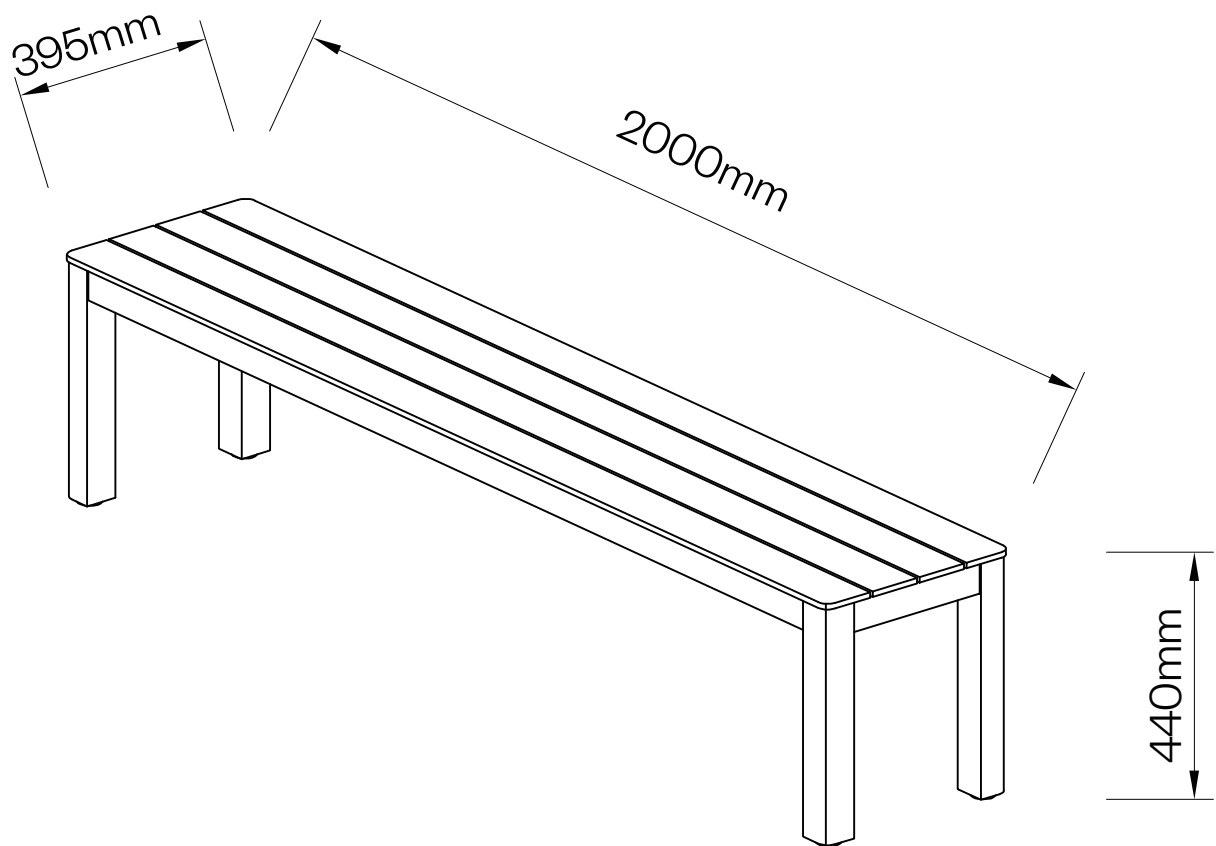
Cordoba Charcoal Bench

POWDER COATED ALUMINIUM FRAME

Light Weight Design

ITEM NO. : 0583714

4.





**Please carefully read the below warnings and instructions.
Save the instructions for future reference.**


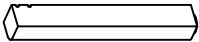
- Please carefully read all instructions before assembly and use.
- Please separate and identify all parts, ensuring that you have all parts listed.
- Assembly to be carried out by a competent adult.
- During assembly children should be kept away from the product due to possible risk of injury, small parts, and sharp fittings.
- Do NOT use power tools to assemble the product.
- Don't tight all the bolts before the product is fully assembled. Be careful not to over tighten the nuts during assembly.
- Please check the fixings are all tight monthly.

Recommendation

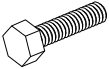



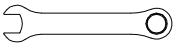
- It would be useful to ask someone to help you assemble the product.
- Retain these instructions for future reference.
- This product is not suitable for extreme weather conditions. Do NOT use in extreme weather condition such as thunderstorm, hailstone, heavy rain, high wind or heavy snow, etc. Warranty claims due to weather events won't be taken into account.
- This piece of furniture has been produced under the best possible conditions and care. However we advise you during constructing or breaking down of this piece of furniture to be aware of sharp metal.
- This product is designed for occasional use only. Do not use as a permanent structure. If no use for long time, dismantle and store safely to prevent any damage occurring.
- The maximum weight / load of this product is 300kg.
- Wipe clean with damp cloth only using detergent & lukewarm water.

6.

Parts List:

Part No.	Pictures	Description	QTY
A		Seat frame	1
B		Leg	4

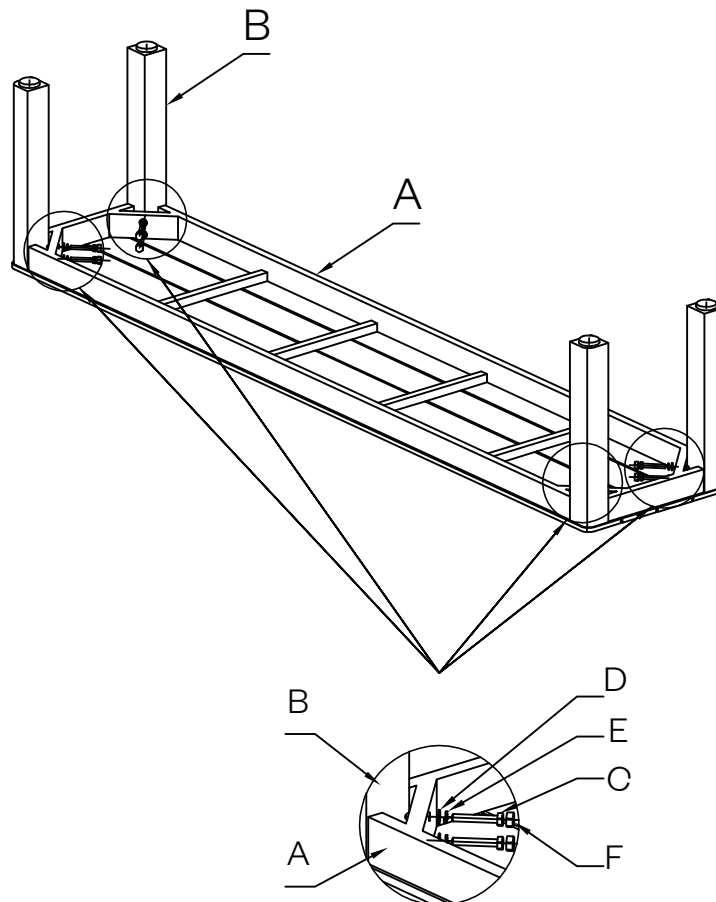
Hardware Kit:

Part No.	Pictures	Description	QTY
C		Bolt M8 x 50 mm	8
D		Washer	8
E		Spring washer	8
F		Cap	8
G		Spanner	1

<p>A x1</p>	<p>C x8</p>
<p>B x4</p>	<p>D x8</p>
	<p>E x8</p>
	<p>F x8</p>
	<p>G x1</p>

Step 1:

Put 4pcs legs (B) on the corner of the seat frame (A), inserting bolts (C) with washers (D) and spring washers (E) to the holes, then tighten all bolts with spanner (G) one by one. Cover the caps (F) on the bolts (C) at last.



8.

Step 2:

Bench is now ready for use.

