

G8SAFE GRAVITY-X GATE KIT INSTALLATION GUIDE

GRAVITY-X LATCH

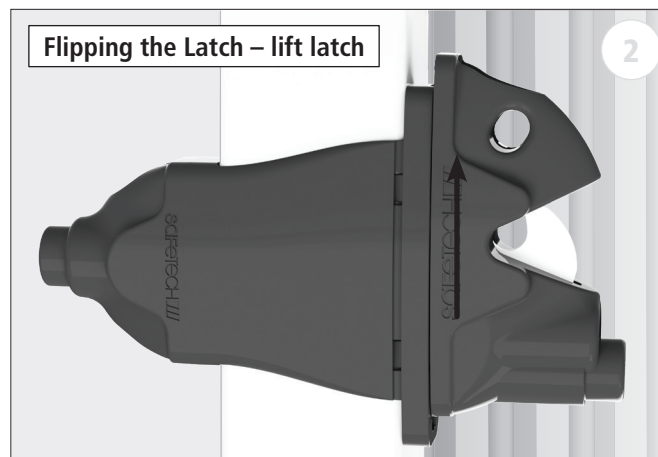
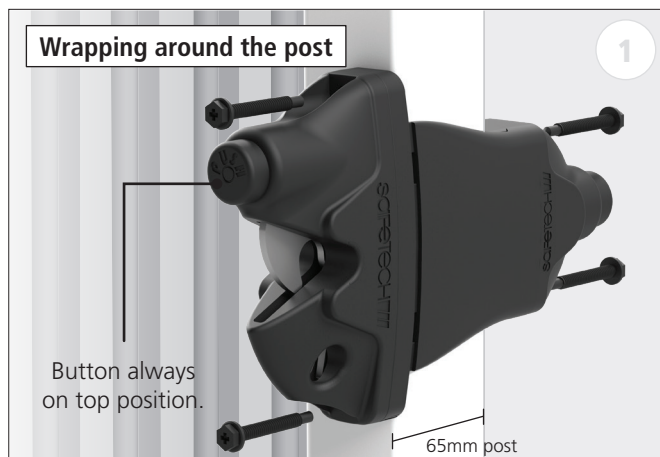
Before installing check with your local Council regarding specific fence / barrier requirements.
Note: Images may differ slightly from actual product.

Comes with:

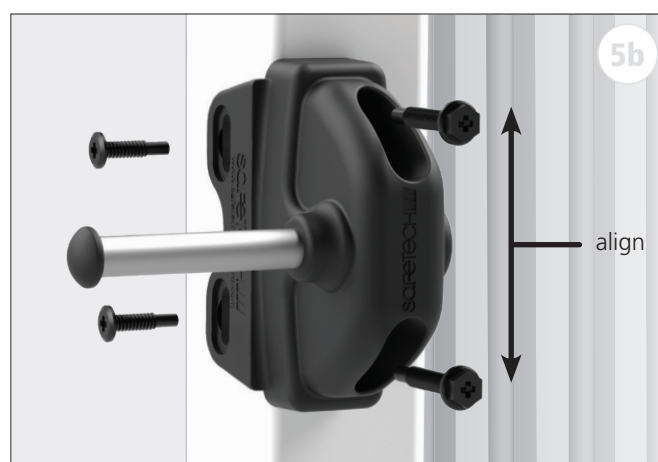
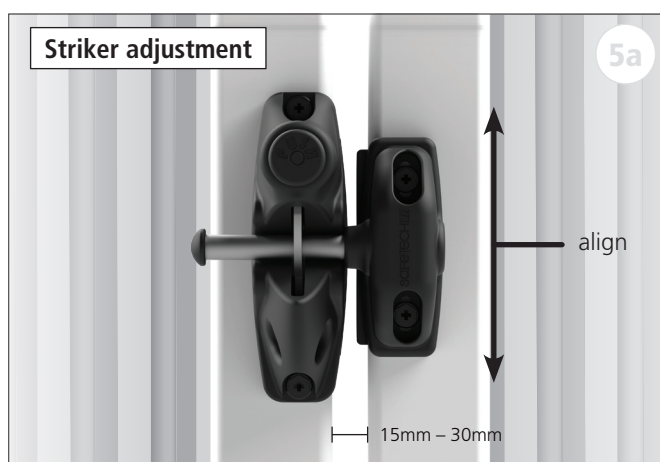
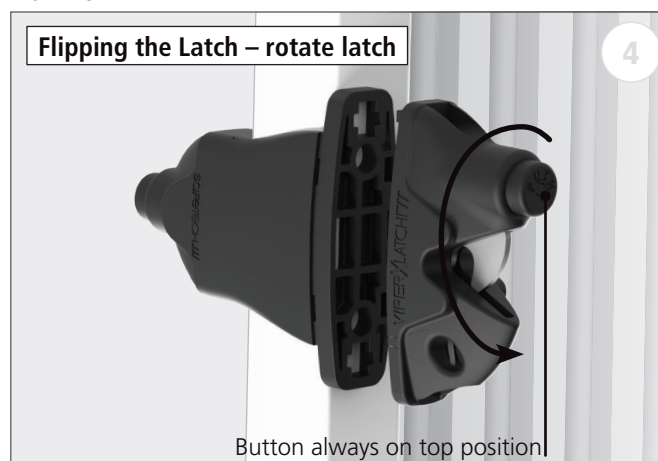
- » 1 x Gravity-X Latch
- » 2 x Adjustable Tension Hinges
- » Screws
- » 1 x Allen key
- » 2 x Hinge Caps
- » 1 x Safety Cone

Tools required:

- » Drill
- » Measuring tape
- » Phillips head screwdriver



2. If required to flip the latch, follow the steps 2, 3 and 4 before adjusting striker.



5a & 5b. Striker has 2 slots on each side that allows you to adjust vertical adjustment. Move striker up and down to achieve a perfect position with the main latch body hook. Make sure hook can close properly when striker and latch body next to each other.

G8SAFE GRAVITY-X GATE KIT INSTALLATION GUIDE

HINGES

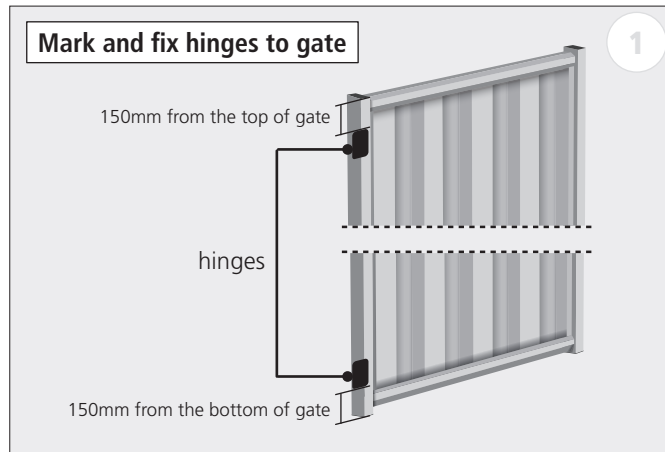
Before installing check with your local Council regarding specific fence / barrier requirements.
Note: Images may differ slightly from actual product.

Comes with:

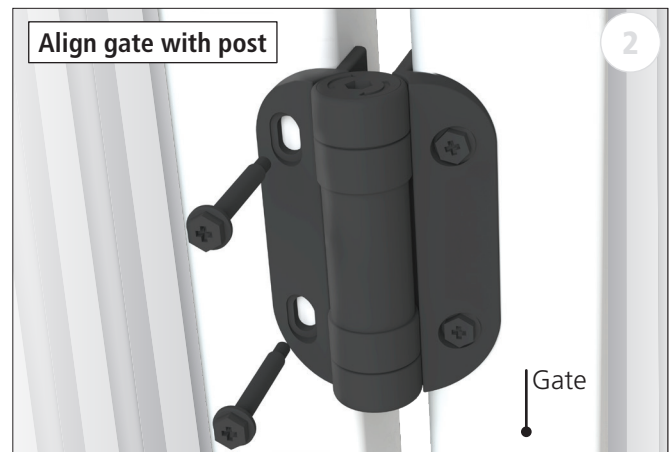
- » 1 x Gravity-X Latch
- » 2 x Adjustable Tension Hinges
- » Screws
- » 1 x Allen key
- » 2 x Hinge Caps
- » 1 x Safety Cone

Tools required:

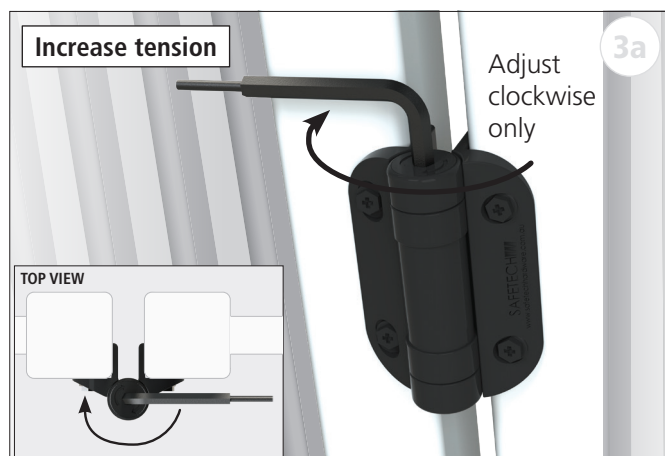
- » Drill
- » Measuring tape
- » Phillips head screwdriver



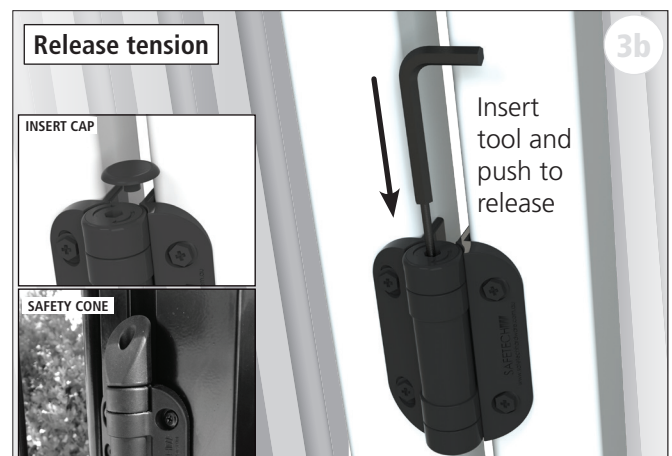
1. Mark and fix hinges to gate.



2. Align gate with hinge post and fix off hinges to post.



- 3a. To adjust hinge tension, simply use supplied tool:
- » ONE tension click per hinge at a time.
 - » Check for desired gate tension after each adjustment. Gate must be able to self close from any open position.
 - » Aim for equal amounts of tension clicks on each hinge if possible.
 - » Maximum FOUR tension clicks per hinge.



- 3b. Once adjusted, fit the supplied caps to the top. To avoid kids climbing, the Safety Cone MUST be fitted to the bottom hinge.

NOTE:

- » Must be installed in accordance with the local fence / barrier codes and regulations.
- » Maintain latch and hinges regularly, making sure that latching hook, striker bolt and other moving parts from latch and hinges are free from debris.
- » Please, note that these hinges are designed for non-automated gates. The use for other purposes may affect performance.
- » These latch and hinges will operate correctly only if installed and maintained in accordance with ProtectorAI™ instructions.

ProtectorAI
More than just fencing.



SCAN FOR WARRANTY