

R36XBCT10



IMPORTANT!

It is essential that you read the instructions in this manual before assembling, operating, and maintaining the product.

Subject to technical modification.

Safety, performance, and dependability have been given top priority in the design of your cordless brushcutter.

INTENDED USE

The cordless brushcutter is intended for cutting shrubs, bushes, and similar vegetation at or about ground level. The product can also cut long grass, pulpy weed, and similar vegetation.

The cutting plane should be approximately parallel to the ground surface.

Use the lower drive shaft only with the included powerhead.

The product is intended to be used only by adults who have read and understood the instructions and warnings in this manual and can be considered responsible for their actions.

The product is intended only for use outdoors in a well-ventilated area. For safety reasons, the product must be adequately controlled by a two-handed operation.

Do not use the product for any other purposes.

GENERAL PRODUCT SAFETY WARNINGS

⚠ WARNING! Read all safety warnings and all instructions. Failure to follow the warnings and instructions may result in electric shock, fire and/or serious injury.

Save all warnings and instruction for future reference.

The term "power tool" in the warnings refers to your mains-operated (corded) product or battery-operated (cordless) product.

WORK AREA SAFETY

- **Keep work area clean and well lit.** Cluttered or dark areas invite accidents.
- **Do not operate power tools in explosive atmospheres, such as in the presence of flammable liquids, gases or dust.** Power tools create sparks which may ignite the dust or fumes.
- **Keep children and bystanders away while operating a power tool.** Distractions can cause you to lose control.

ELECTRICAL SAFETY

- **Power tool plugs must match the outlet. Never modify the plug in any way. Do not use any adapter plugs with earthed (grounded) power tools.** Unmodified plugs and matching outlets will reduce risk of electric shock.
- **Avoid body contact with earthed or grounded surfaces, such as pipes, radiators, ranges and refrigerators.** There is an increased risk of electric shock if your body is earthed or grounded.
- **Do not expose power tools to rain or wet conditions.** Water entering a power tool will increase the risk of electric shock.
- **Do not abuse the cord. Never use the cord for carrying, pulling or unplugging the power tool. Keep**

cord away from heat, oil, sharp edges or moving parts. Damaged or entangled cords increase the risk of electric shock.

- **When operating a power tool outdoors, use an extension cord suitable for outdoor use.** Use of a cord suitable for outdoor use reduces the risk of electric shock
- **If operating a power tool in a damp location is unavoidable, use a residual current device (RCD) protected supply.** Use of an RCD reduces the risk of electric shock.

PERSONAL SAFETY

- **Stay alert, watch what you are doing and use common sense when operating a power tool. Do not use a power tool while you are tired or under the influence of drugs, alcohol or medication.** A moment of inattention while operating power tools may result in serious personal injury.
- **Use personal protective equipment. Always wear eye protection.** Protective equipment such as dust mask, non-skid safety shoes, hard hat or hearing protection used for appropriate conditions will reduce personal injuries.
- **Prevent unintentional starting. Ensure the switch is in the off-position before connecting to power source and/or battery pack, picking up or carrying the tool.** Carrying power tools with your finger on the switch or energising power tools that have the switch on invites accidents.
- **Remove any adjusting key or wrench before turning the power tool on.** A wrench or a key left attached to a rotating part of the power tool may result in personal injury.
- **Do not overreach. Keep proper footing and balance at all times.** This enables better control of the power tool in unexpected situations.
- **Dress properly. Do not wear loose clothing or jewellery. Keep your hair and clothing away from moving parts.** Loose clothes, jewellery or long hair can be caught in moving parts.
- **If devices are provided for the connection of dust extraction and collection facilities, ensure these are connected and properly used.** Use of dust collection can reduce dust-related hazards.
- **Do not let familiarity gained from frequent use of tools allow you to become complacent and ignore tool safety principles.** A careless action can cause severe injury within a fraction of a second.

POWER TOOL USE AND CARE

- **Do not force the power tool. Use the correct power tool for your application.** The correct power tool will do the job better and safer at the rate for which it was designed.
- **Do not use the power tool if the switch does not turn it on and off.** Any power tool that cannot be controlled with the switch is dangerous and must be repaired.
- **Disconnect the plug from the power source and/or remove the battery pack, if detachable, from the power tool before making any adjustments, changing accessories, or storing power tools.** Such preventive safety measures reduce the risk of starting the power tool accidentally.

- **Store idle power tools out of the reach of children and do not allow persons unfamiliar with the power tool or these instructions to operate the power tool.** Power tools are dangerous in the hands of untrained users.
- **Maintain power tools and accessories. Check for misalignment or binding of moving parts, breakage of parts and any other condition that may affect the power tool's operation. If damaged, have the power tool repaired before use.** Many accidents are caused by poorly maintained power tools.
- **Keep cutting tools sharp and clean.** Properly maintained cutting tools with sharp cutting edges are less likely to bind and are easier to control.
- **Use the power tool, accessories and tool bits etc. in accordance with these instructions, taking into account the working conditions and the work to be performed.** Use of the power tool for operations different from those intended could result in a hazardous situation.
- **Keep handles and grasping surfaces dry, clean and free from oil and grease.** Slippery handles and grasping surfaces do not allow for safe handling and control of the tool in unexpected situations.

BATTERY TOOL USE AND CARE

- **Recharge only with the charger specified by the manufacturer.** A charger that is suitable for one type of battery pack may create a risk of fire when used with another battery pack.
- **Use power tools only with specifically designated battery packs.** Use of any other battery packs may create a risk of injury and fire.
- **When battery pack is not in use, keep it away from other metal objects, like paper clips, coins, keys, nails, screws or other small metal objects, that can make a connection from one terminal to another.** Shorting the battery terminals together may cause burns or a fire.
- **Under abusive conditions, liquid may be ejected from the battery; avoid contact. If contact accidentally occurs, flush with water. If liquid contacts eyes, additionally seek medical help.** Liquid ejected from the battery may cause irritation or burns.
- **Do not use a battery pack or tool that is damaged or modified.** Damaged or modified batteries may exhibit unpredictable behaviour resulting in fire, explosion or risk of injury.
- **Do not expose a battery pack or tool to fire or excessive temperature.** Exposure to fire or temperature above 130 °C may cause explosion.
- **Follow all charging instructions and do not charge the battery pack or tool outside the temperature range specified in the instructions.** Charging improperly or at temperatures outside the specified range may damage the battery and increase the risk of fire.

SERVICE

- **Have your power tool serviced by a qualified repair person using only identical replacement parts.** This will ensure that the safety of the power tool is maintained.

- **Never service damaged battery packs.** Service of battery packs should only be performed by the manufacturer or authorized service providers.

BRUSHCUTTER SAFETY WARNINGS

- **Do not use the machine in bad weather conditions, especially when there is a risk of lightning.** This decreases the risk of being struck by lightning.
- **Thoroughly inspect the area for wildlife where the machine is to be used.** Wildlife may be injured by the machine during operation.
- **Thoroughly inspect the area where the machine is to be used and remove all stones, sticks, wires, bones, and other foreign objects.** Thrown objects can cause personal injury.
- **Before using the machine, always visually inspect to see that the cutter or blade and the cutter or blade assembly are not damaged.** Damaged parts increase the risk of injury.
- **Follow instructions for changing accessories.** Improperly tightened blade securing nuts or bolts may either damage the blade or result in it becoming detached.
- **The rated rotational speed of the blade must be at least equal to the maximum rotational speed marked on the machine.** Blades running faster than their rated rotational speed can break and fly apart.
- **Wear eye, ear, head and hand protection.** Adequate protective equipment will reduce personal injury by flying debris or accidental contact with the cutting line or blade.
- **While operating the machine, always wear safety footwear. Do not operate the machine when barefoot or wearing open sandals.** This reduces the chance of injury to the feet from contact with a moving cutter, line or blade.
- **While operating the machine, always wear long trousers.** Exposed skin increases the likelihood of injury from thrown objects.
- **Keep bystanders away while operating the machine.** Thrown debris can result in serious personal injury.
- **Always use two hands when operating the machine.** Holding the machine with both hands will avoid loss of control.
- **Hold the machine by the insulated gripping surfaces only, because the cutting line or blade may contact hidden wiring.** Cutting line or blades contacting a "live" wire may make exposed metal parts of the machine "live" and could give the operator an electric shock.
- **Always keep proper footing and operate the machine only when standing on the ground.** Slippery or unstable surfaces may cause a loss of balance or control of the machine.
- **Do not operate the machine on excessively steep slopes.** This reduces the risk of loss of control, slipping and falling which may result in personal injury.
- **When working on slopes, always be sure of your footing, always work across the face of slopes, never up or down and exercise extreme caution when changing direction.** This reduces the risk of loss of control, slipping and falling which may result in personal injury.



- **Keep all parts of the body away from the cutter, line or blade when the machine is operating. Before you start the machine, make sure the cutter, line or blade is not contacting anything.** A moment of inattention while operating the machine may result in injury to yourself or others.
- **Do not operate the machine above waist height.** This helps prevent unintended cutter or blade contact and enables better control of the machine in unexpected situations.
- **When cutting brush or saplings that are under tension, be alert for spring back.** When the tension in the wood fibres is released, the brush or sapling may strike the operator and/or throw the machine out of control.
- **Use extreme caution when cutting brush and saplings.** The slender material may catch the blade and be whipped toward you or pull you off balance.
- **Maintain control of the machine and do not touch cutters, lines or blades and other hazardous moving parts while they are still in motion.** This reduces the risk of injury from moving parts.
- **Carry the machine with the machine switched off and away from your body.** Proper handling of the machine will reduce the likelihood of accidental contact with a moving cutter, line or blade.
- **When transporting or storing the machine, always fit the cover on metal blades.** Proper handling of the machine will reduce the likelihood of accidental contact with the blade.
- **Only use replacement cutters, lines, cutting heads and blades specified by the manufacturer.** Incorrect replacement parts may increase the risk of breakage and injury.
- **When clearing jammed material or servicing the machine, make sure the switch is off and the battery pack is removed.** Unexpected starting of the machine while clearing jammed material or servicing may result in serious personal injury.

BLADE THRUST CAUSES AND RELATED WARNINGS

Blade thrust is a sudden sideways, forward or backward motion of the machine, which may occur when the blade jams or catches on an object such as a sapling or a tree stump. It can be violent enough to cause the machine and/or operator to be propelled in any direction, and possibly lose control of the machine.

Blade thrust and its related hazards can be avoided by taking proper precautions as given below.

- **Maintain a firm grip with both hands on the machine and position your arms to resist blade thrust. Position your body to the left side of the machine. Blade thrust can increase the risk of injury due to the machine moving unexpectedly.** Blade thrust can be controlled by the operator if proper precautions are taken.
- **If the blade binds, or when interrupting a cut for any reason, switch the machine off and hold the machine motionless in the material until the blade comes to a complete stop.** While the blade is binding, never attempt to remove the machine from the material or pull the machine backward while the blade is in motion, otherwise blade thrust may occur. Investigate

and take corrective actions to eliminate the cause of blade binding.

- **Do not use blunt or damaged blades.** Blunt or damaged blades increase the risk of jamming or catching on an object, resulting in blade thrust.
- **Always maintain good visibility of the material being cut.** Blade thrust is more likely to occur in areas where it is difficult to see the material being cut.
- **If you are approached by another person while operating the machine, switch the machine off.** There is an increased risk of injury to other persons being struck by the moving blade in the event of blade thrust.

ADDITIONAL SAFETY WARNINGS

- Before use and after any impact, check that there are no damaged parts on the product. A defective switch or any part that is damaged or worn should be properly repaired or replaced by an authorised service centre.
- Make sure that the cutting attachment is properly installed and securely fastened.
- Never operate the product unless all guards, deflectors, and handles are properly and securely attached.
- Keep the head attachment below waist level.
- Immediately turn off the product and remove the battery pack in the event of an accident or a breakdown. Do not operate the product again until it has been fully checked by an authorised service centre.
- To reduce the risk of injury associated with contacting moving parts, always turn off the product, remove the battery pack, and allow both to cool down. Make sure that all moving parts have come to a complete stop:
 - before servicing
 - before clearing a blockage
 - before checking, cleaning, and working on the product
 - before changing accessories
 - after striking a foreign object
 - before leaving the product unattended
 - before performing maintenance
 - whenever the product starts to vibrate abnormally
- Ensure that all guards and handles are properly fitted and are in good condition. A guard that is loose, damaged, or is not functioning correctly may result in personal injury.
- Hold the product by designated handles, and restrict working time and exposure.
- Beware of objects thrown by the cutting means. Remove debris like small stones, gravel, and other foreign objects from the work area before starting operation. Wires or string may become entangled with the cutting means.
- The product is fitted with a harness. Use the harness while operating the product. Carefully adjust the harness to fit comfortably and help support the weight of the product at your right side. Identify the quick-release mechanism and practice using it before you start using the product. Its correct use may prevent serious injury in case of an emergency. Never wear additional clothing over the harness or otherwise that restrict access to the quick-release mechanism.
- Do not wear multiple belt or shoulder harnesses.



- Always ensure that ventilation openings are kept clear of debris. Blocked air inlets and debris may result in overheating or risk of fire.
- Operate the product only in temperatures between 0 °C and 40 °C.
- Store the product in a location where the ambient temperature is between 0 °C and 40 °C.
- Use heavy-duty gloves while installing or removing blades, they have sharp edges.
- Do not attempt to touch or stop the blade when it is rotating.
- Replace any blade that has been damaged. Always make sure that the blade is installed correctly and securely fastened before each use.
- Use only the manufacturer's replacement TRI-ARC blade. Do not use any other cutting attachment.
- Never cut any material over 13 mm diameter.
- Cover the blade with the blade protector before storing the product, or during transportation. Always remove the blade protector before using the product. If not removed, the blade protector could become a thrown object as the blade begins to turn.
- For cutting ease and safety, approach the weeds being cut from the right to the left. In the event that an unexpected object or woody stock is encountered, this practice could minimise the blade thrust reaction. Both hands must be used at all times to control the product.
- Injuries may be caused, or aggravated, by prolonged use of the product. When using the product for prolonged periods, ensure to take regular breaks.

ADDITIONAL BATTERY SAFETY WARNINGS

- To reduce the risk of fire, personal injury, and product damage due to a short circuit, never immerse the product, battery pack, or charger in fluid or allow fluid to flow inside them. Corrosive or conductive fluids, such as seawater, certain industrial chemicals, and bleach or bleach-containing products, etc., can cause a short circuit.
- Charge the battery pack in a location where the ambient temperature is between 10 °C and 38 °C.
- Store the battery pack in a location where the ambient temperature is between 0 °C and 20 °C.
- Use the battery pack in a location where the ambient temperature is between 0 °C and 40 °C.

TRANSPORTATION AND STORAGE

- Turn off the product, remove the battery pack, and allow both to cool down before storing or transporting.
- Remove all foreign materials from the product.
- Do not store or transport the product with the battery pack fitted. Remove the battery pack, and secure it separately. Store the product in a cool, dry, and well-ventilated place that is inaccessible to children. Keep the product away from corrosive agents, such as garden chemicals and de-icing salts. Do not store the product outdoors.
- For transportation in vehicles, secure the product against movement or falling to prevent injury to persons or damage to the product.

TRANSPORTING LITHIUM BATTERIES

- Transport the battery pack in accordance with local and national provisions and regulations.
- Follow all special requirements on packaging and labelling when transporting batteries by a third party. Ensure that no batteries can come in contact with other batteries or conductive materials while in transport by protecting exposed connectors with insulating, non-conductive caps or tape. Do not transport batteries that are cracked or leaking. Check with the forwarding company for further advice.

MAINTENANCE

- Use only original manufacturer's replacement parts, accessories, and attachments. Failure to do so can cause possible injury, can contribute to poor performance, and may void your warranty.
- Servicing requires extreme care and knowledge and should be performed only by a qualified service technician. Have the product serviced by an authorised service centre only.
- Turn off the product and remove the battery pack before conducting any maintenance or cleaning work.
- You may make adjustments or repairs described in this manual. For other repairs, contact an authorised service centre.
- For the replacement line, use only a nylon filament line of the diameter described in the specifications table of this manual.
- After each use, clean the body and handles of the product with a soft, dry cloth. Any part that is damaged should be properly repaired or replaced by an authorised service centre.
- Check all nuts, bolts, and screws before each use and at frequent intervals for proper tightness to ensure that the product is in safe working condition. Any part that is damaged should be properly repaired or replaced by an authorised service centre.
- Bring the product to an authorised service centre to replace damaged or unreadable labels.

SYMBOLS ON THE PRODUCT



Safety alert



Read and understand all instructions before operating the product. Follow all warnings and safety instructions.



Wear eye, ear, and hearing protection.



Wear protective gloves.



Wear non-slip safety footwear when using the product.



This product is not intended for use with a toothed saw type blade.



The TRI-ARC blade is appropriate for the product and is suited for cutting pulpy weeds and vines.



Beware of thrown or flying objects. Keep all bystanders, especially children and pets, at least 15 m away from the operating area.



Remove the battery pack before starting any work on the product.



Beware of blade thrust.



Do not expose the product to rain or damp conditions.



Guaranteed sound power level



Waste electrical products should not be disposed of with household waste. Please recycle where facilities exist. Check with your local authority or retailer for recycling advice.



Regulatory Compliance Mark (RCM). Product meets applicable regulatory requirements.

SYMBOLS IN THIS MANUAL



Note

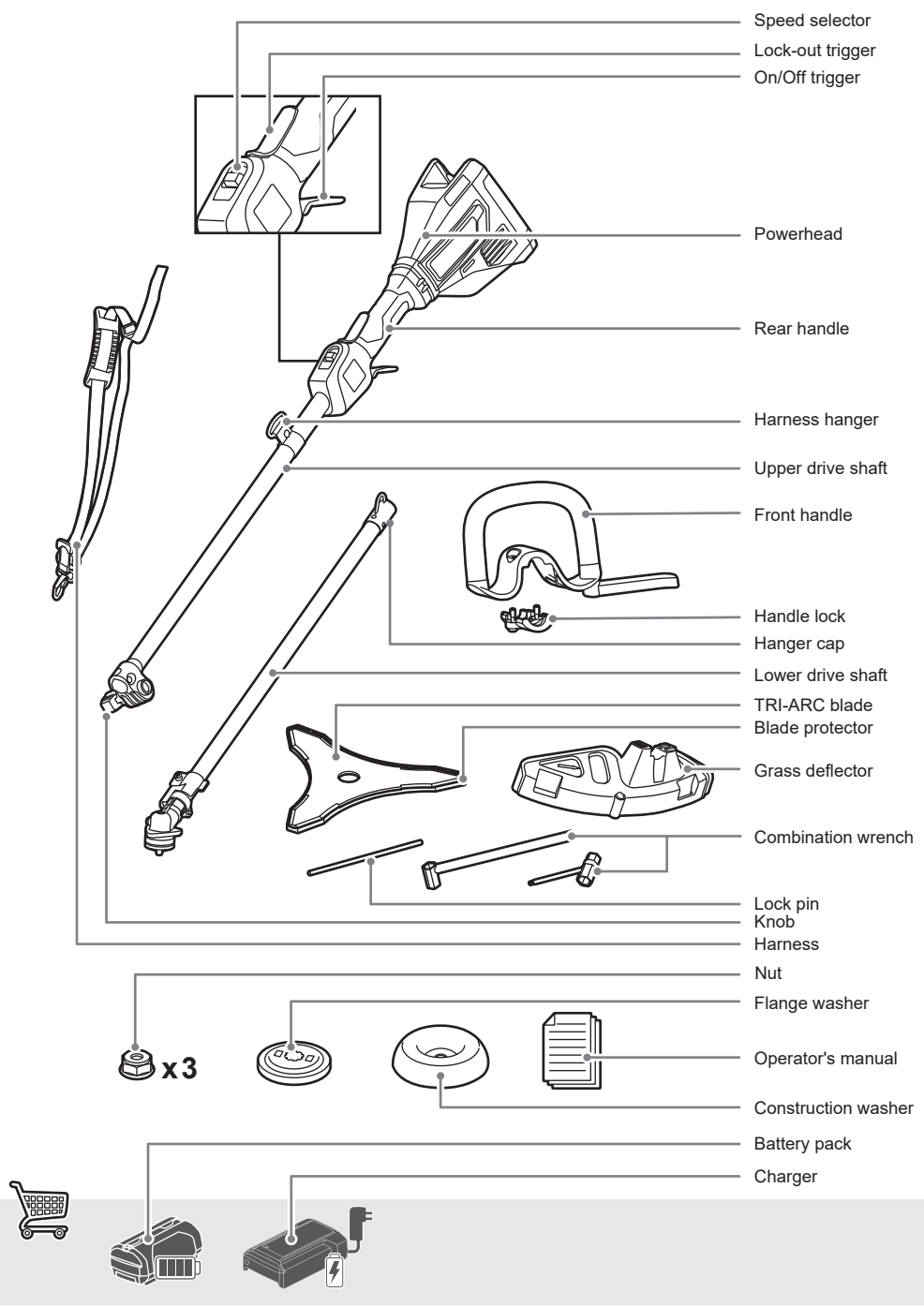


Warning



Parts or accessories sold separately

R36XBCT10



Speed selector
Lock-out trigger
On/Off trigger

Powerhead

Rear handle

Harness hanger

Upper drive shaft

Front handle

Handle lock

Hanger cap

Lower drive shaft

TRI-ARC blade

Blade protector

Grass deflector

Combination wrench

Lock pin

Knob

Harness

Nut

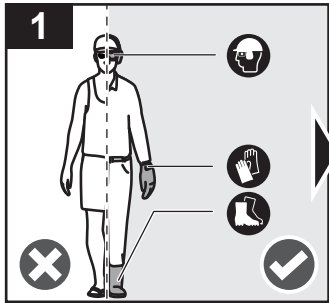
Flange washer

Operator's manual

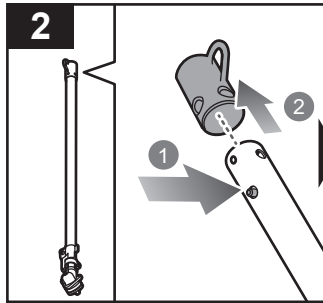
Construction washer

Battery pack

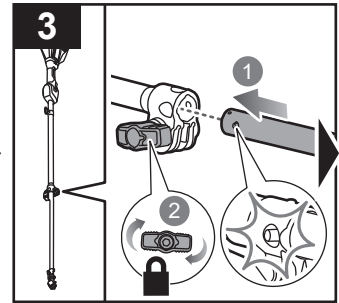
Charger



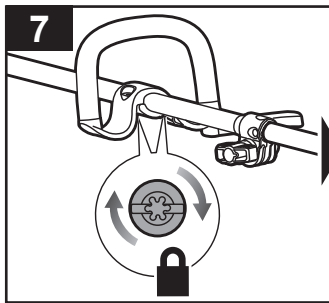
Always wear safety goggles or safety glasses with side shields when operating the product. Wear non-slip, heavy-duty protective gloves. Wear non-skid, protective footwear that will protect your feet and improve your footing on slippery surfaces.



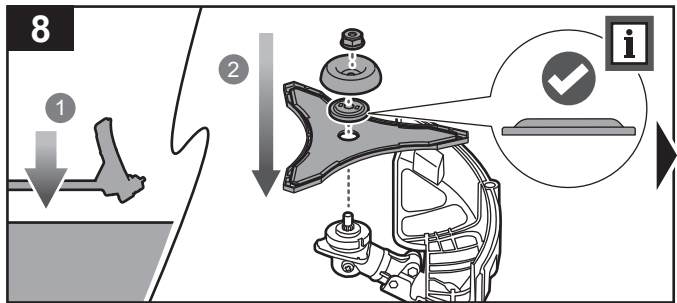
Push the lock button and remove the hanger cap from the lower drive shaft.



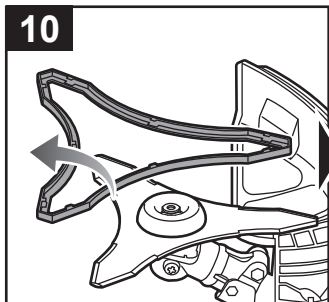
Insert the lower drive shaft into the upper drive shaft until the lock button clicks into place. Tighten the knob to secure the drive shafts.



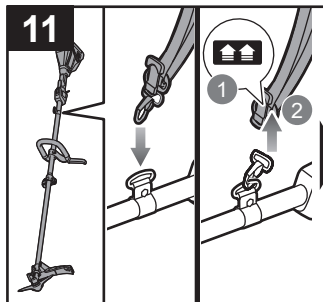
Turn the screw in the handle lock clockwise to secure the front handle in place.



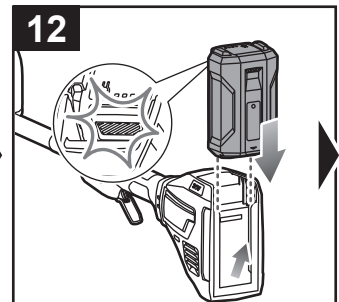
Place the product on a level surface. Position the product with the motor side down and the blade guard side up. Install the TRI-ARC blade, flange washer, and nut. **NOTE:** Make sure that the bump on the flange washer is facing upwards. Also, make sure that the slots on the flange washer and construction washer are aligned during installation.



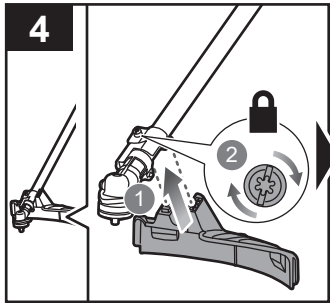
Remove the blade protector from the TRI-ARC blade.



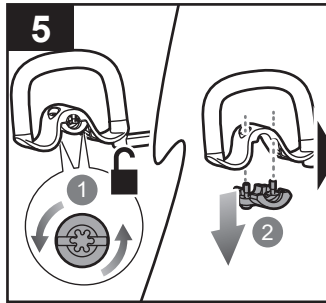
Attach the harness to the harness hanger. Identify the quick-release mechanism and practice using it before using the product.



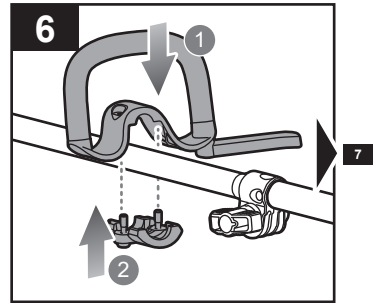
Install the battery pack until the latch clicks into place.



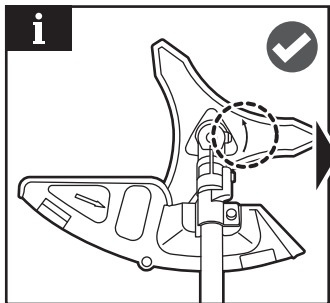
Install the grass deflector to the trimmer head. Secure it by turning the two screws clockwise.



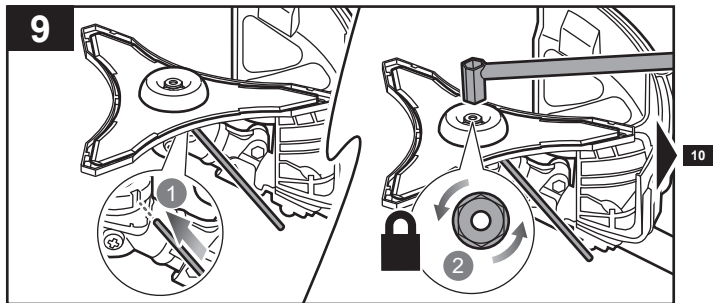
Remove the handle lock from the front handle by turning the screw counterclockwise.



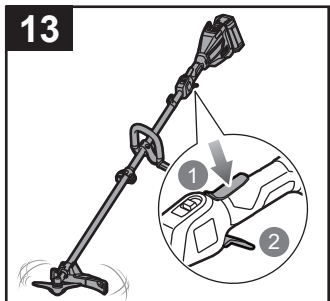
Install the front handle to the upper drive shaft at a preferred position. Reinstall the handle lock.



NOTE: When installing the blade, make sure that the arrow in the blade follows the direction of the arrow in the grass deflector.

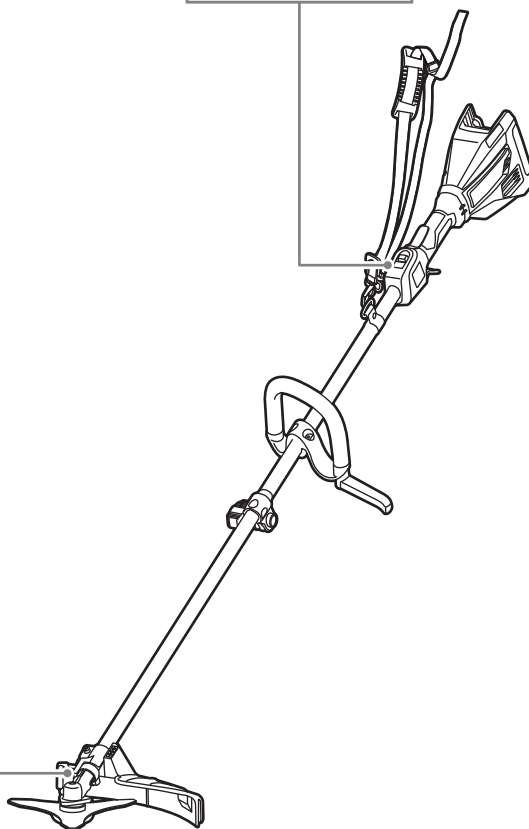
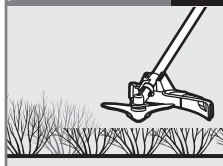


Insert the lock pin into the slot underneath the trimmer head. Hand-tighten the nut until you feel resistance, then complete 2.5 full turns using the combination wrench to secure the TRI-ARC blade. The nut is reverse threaded; turn the nut counterclockwise to tighten. Make sure that the assembly is secure before use.

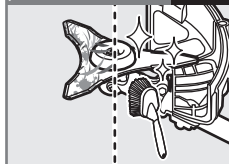


Press and hold the lock-out trigger and squeeze the on/off trigger to turn on the product.

Operating the product **p.11**



Cleaning the product **p.13**



Storing the product **p.14**





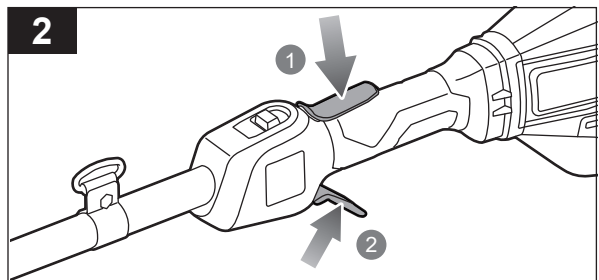
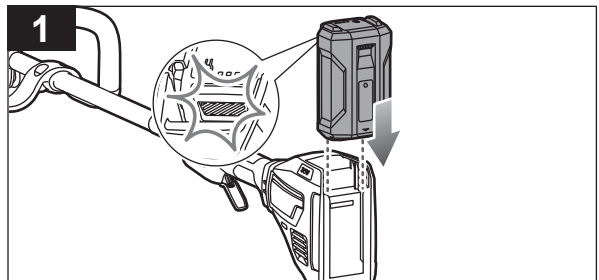
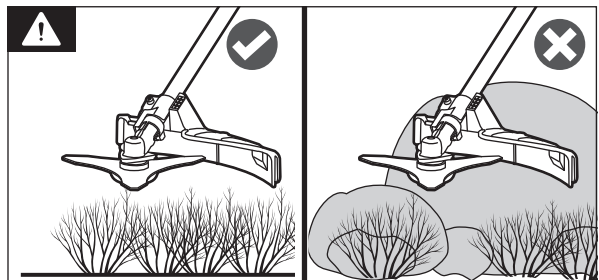
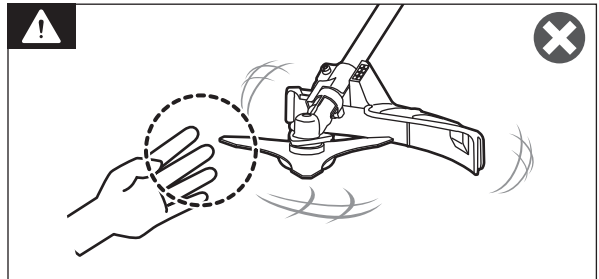
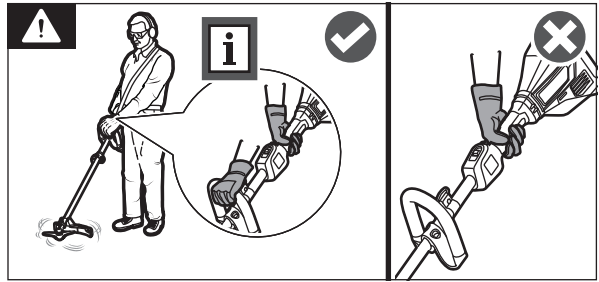
OPERATING THE PRODUCT

WARNING: For safety reasons, the product must be adequately controlled by a two-handed operation. Hold the product with the right hand on the rear handle and the left hand on the front handle.

WARNING: Exercise extreme caution when using the product. Keep hands and feet away from the cutting means at all times, especially when turning on the motor.

WARNING: Consider the environment in which you are working. Keep the working area free from wires, sticks, stones, and debris, which if struck by the cutter can become thrown objects.

1. Insert the battery pack until the latch clicks into place.
2. Press and hold the lock-out trigger and squeeze the on/off trigger to turn on the product.



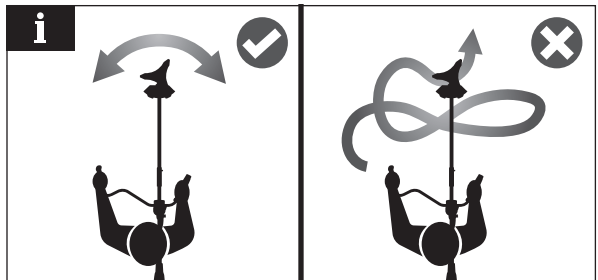
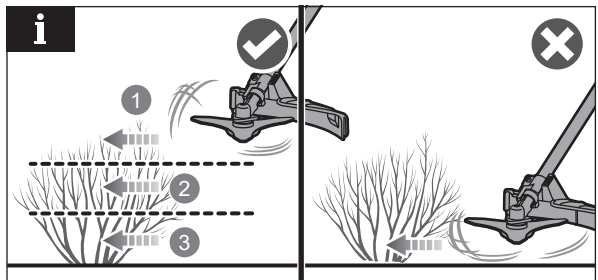
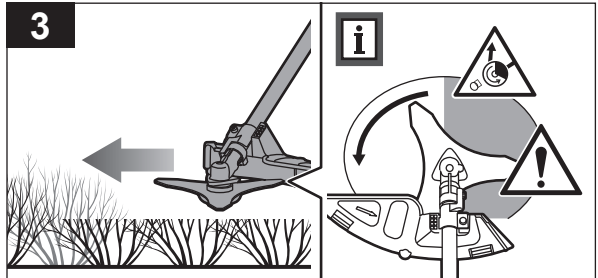
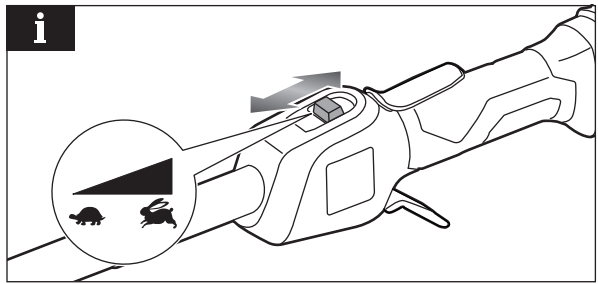
NOTE: Use the speed selector to adjust the speed from low to high.

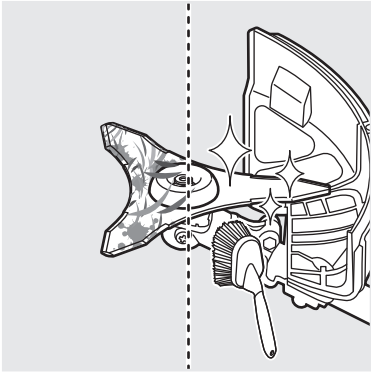
3. Use the product to cut long grass, pulpy weed, and similar vegetation at or about ground level.

NOTE: Beware of blade thrust.

NOTE: Cut tall grass from the top down. This prevents grass from wrapping around the shaft housing and bump head, which may cause damage from overheating.

NOTE: Cut grass from the right side to the left side for cutting ease and safety.





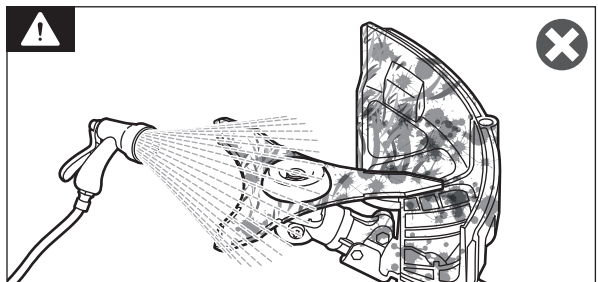
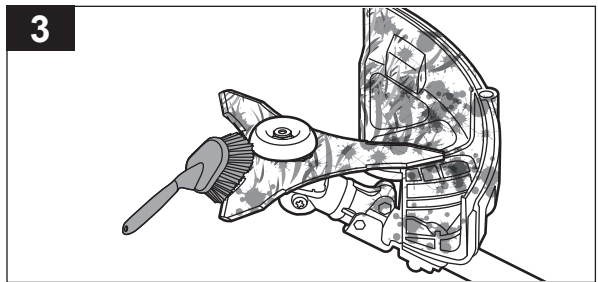
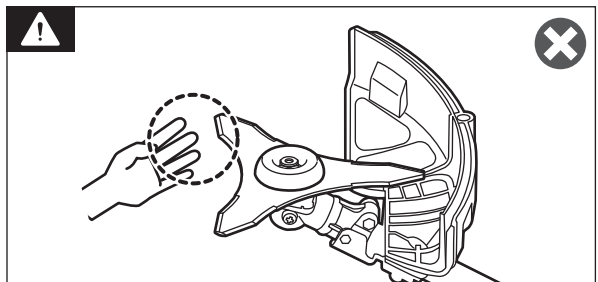
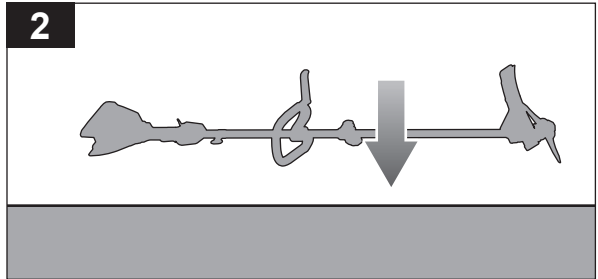
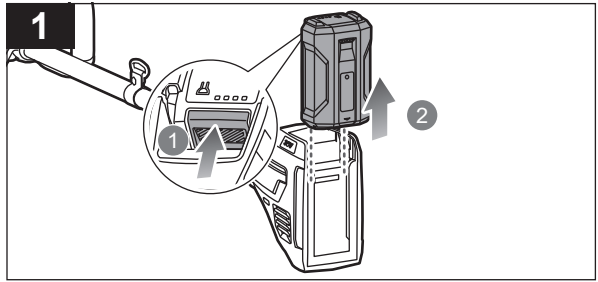
CLEANING THE PRODUCT

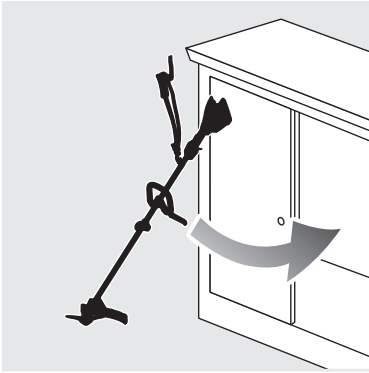
1. Remove the battery pack.
2. Place the product on a level surface. Position the product with the motor side down and the grass deflector side up.

WARNING: Exercise extreme caution when using the product. Keep hands and feet away from the cutting means at all times, especially when turning on the motor.

3. Remove all foreign materials from the product with a soft, dry brush.

WARNING: Avoid using solvents when cleaning plastic parts. Most plastics are susceptible to damage from various types of commercial solvents and may be damaged by their use.

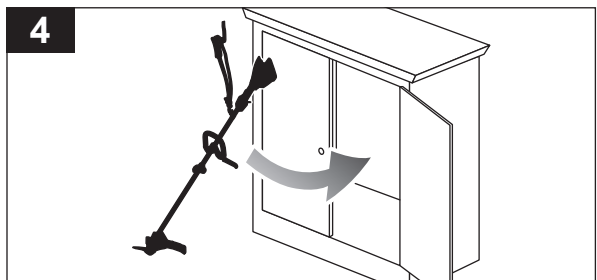
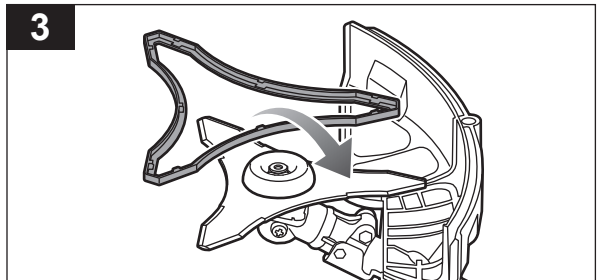
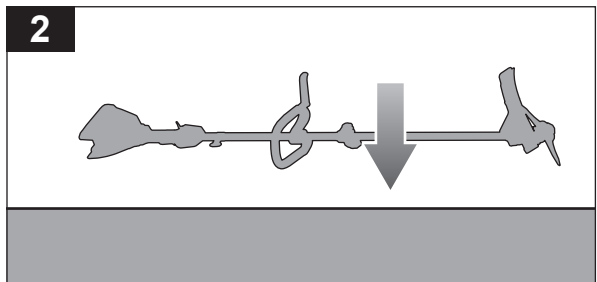
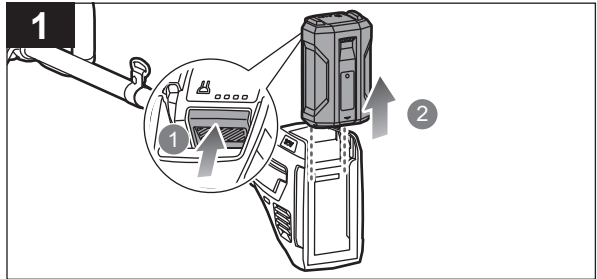
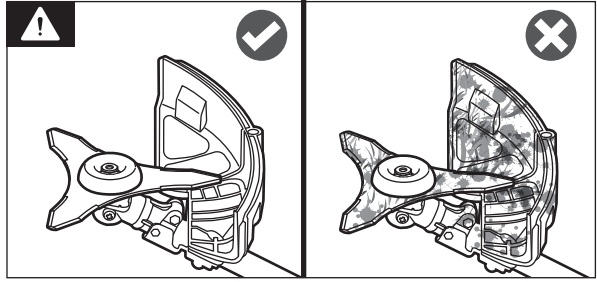




STORING THE PRODUCT

WARNING: Clean the product before storing.

1. Remove the battery pack.
2. Place the product on a level surface. Position the product with the motor side down and the grass deflector side up.
3. Install the blade guard.
4. Store the product in a cool, dry, and well-ventilated place that is inaccessible to children and away from sources of ignition. Do not store the product outdoors.



20230811v2

PRODUCT SPECIFICATIONS

Cordless brushcutter

Model R36XBCT10

Voltage 36 V d.c.

Weight 4.0 kg

No-load speed 5 200/min

Blade diameter 260 mm

Vibration level (in accordance with IEC 62841-4-4)

Front handle $a_h = 4.3 \text{ m/s}^2$

Rear handle $a_h = 4.2 \text{ m/s}^2$

Uncertainty $K_h = 1.5 \text{ m/s}^2$

Noise emission level (in accordance with IEC 62841-4-4)

A-weighted sound pressure level at operator's position $L_{PA} = 84.7 \text{ dB(A)}$

Uncertainty $K_{PA} = 3.0 \text{ dB}$

A-weighted sound power level $L_{WA} = 95.5 \text{ dB(A)}$

Uncertainty $K_{WA} = 3.0 \text{ dB}$

$L_{WA} + K_{WA} = 100 \text{ dB}$

BATTERY AND CHARGER

Model R36XBCT10

Battery pack –

Charger –

Compatible battery packs BPL3640D2, BPL3650D2, BPL3660D, BPL3690D, RY36B40B, R36BTY4, R36BTY5, R36BTY6, R36BTY8

REPLACEMENT PARTS

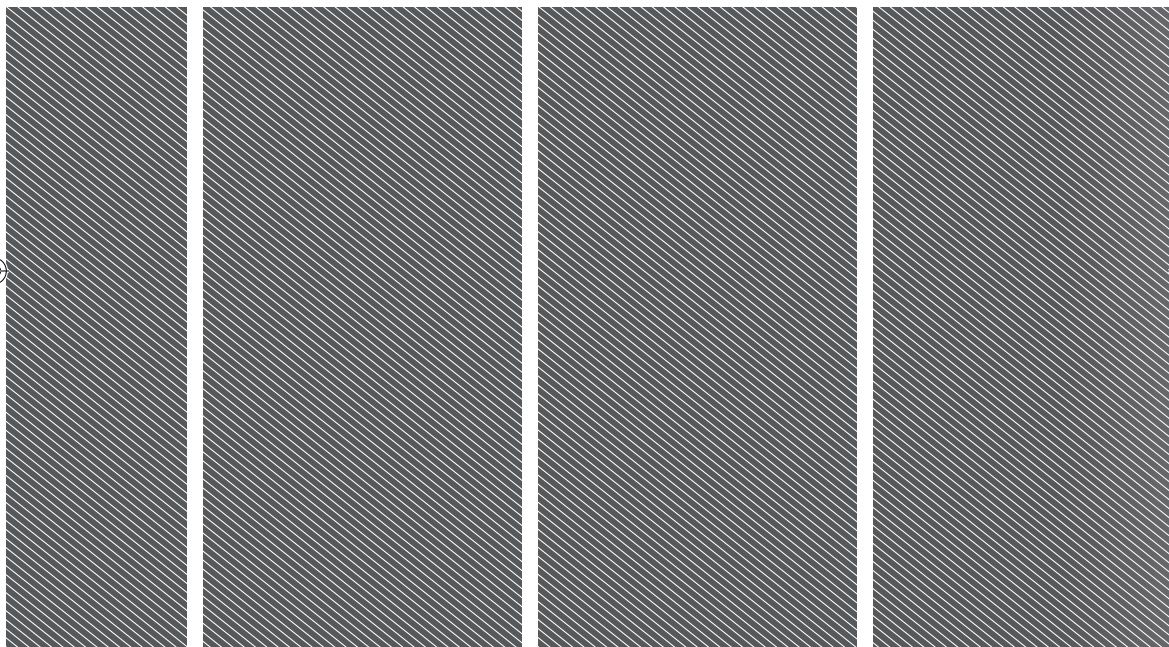
26 cm TRI-ARC blade 310461003

Brushcutter blade PBB1

⚠ WARNING! The declared vibration total values and the declared noise emission values given in this instruction manual have been measured in accordance with a standardised test and may be used to compare one tool with another. They may be used for a preliminary assessment of exposure.

The declared vibration and noise emission values represent the main applications of the tool. However, if the tool is used for different applications, used with different accessories, or poorly maintained, the vibration and noise emission may differ. These conditions may significantly increase the exposure levels over the total working period. An estimation of the level of exposure to vibration and noise should take into account the times when the tool is turned off or when it is running idle. These conditions may significantly reduce the exposure level over the total working period.

Identify additional safety measures to protect the operator from the effects of vibration and noise, such as maintaining the tool and the accessories, keeping the hands warm (in case of vibration), and organising work patterns.



Imported by:
Techtronic Industries Australia Pty Ltd
31 Gilby Road, Mount Waverley, VIC 3149
Melbourne, Australia

Techtronic Industries N.Z. Limited
Unit C, 70 Business Parade South,
Highbrook, Auckland 2013, New Zealand

RYOBI is a trade mark of Ryobi Limited, and is used under license.
TRI-ARC is a trade mark of Techtronic Outdoor Products Technology Limited.

961479100-02

