

# RYOBI®

OPS18

ORIGINAL INSTRUCTIONS

# Cordless Pruning Saw



## **Important!**

It is essential that you read the instructions in this manual before assembling, operating, and maintaining the product.

Subject to technical modification.

Safety, performance, and dependability have been given top priority in the design of your cordless pruning saw.

### INTENDED USE

The product is intended for the cutting and pruning of small limbs, branches on trees, and shrubs.

Do not use the product for any other purpose.

### GENERAL POWER TOOL SAFETY WARNINGS

#### WARNING

**Read all safety warnings, instructions, illustrations and specifications provided with this power tool.** Failure to follow all instructions listed below may result in electric shock, fire and/or serious injury.

**Save all warnings and instruction for future reference.**

The term "power tool" in the warnings refers to your mains-operated (corded) power tool or battery-operated (cordless) power tool.

### WORK AREA SAFETY

- **Keep work area clean and well lit.** Cluttered or dark areas invite accidents.
- **Do not operate power tools in explosive atmospheres, such as in the presence of flammable liquids, gases or dust.** Power tools create sparks which may ignite the dust or fumes.
- **Keep children and bystanders away while operating a power tool.** Distractions can cause you to lose control.

### ELECTRICAL SAFETY

- **Power tool plugs must match the outlet. Never modify the plug in any way. Do not use any adapter plugs with earthed (grounded) power tools.** Unmodified plugs and matching outlets will reduce risk of electric shock.
- **Avoid body contact with earthed or grounded surfaces, such as pipes, radiators, ranges and refrigerators.** There is an increased risk of electric shock if your body is earthed or grounded.
- **Do not expose power tools to rain or wet conditions.** Water entering a power tool will increase the risk of electric shock.
- **Do not abuse the cord. Never use the cord for carrying, pulling or unplugging the power tool. Keep cord away from heat, oil, sharp edges or moving parts.** Damaged or entangled cords increase the risk of electric shock.
- **When operating a power tool outdoors, use an extension cord suitable for outdoor use.** Use of a cord suitable for outdoor use reduces the risk of electric shock.
- **If operating a power tool in a damp location is unavoidable, use a residual current device (RCD) protected supply.** Use of an RCD reduces the risk of electric shock.

### PERSONAL SAFETY

- **Stay alert, watch what you are doing and use common sense when operating a power tool. Do not use a power tool while you are tired or under the influence of drugs, alcohol or medication.** A moment of inattention while operating power tools may result in serious personal injury.
- **Use personal protective equipment. Always wear eye protection.** Protective equipment such as dust mask, non-skid safety shoes, hard hat or hearing protection used for appropriate conditions will reduce personal injuries.
- **Prevent unintentional starting. Ensure the switch is in the off-position before connecting to power source and/or battery pack, picking up or carrying the tool.** Carrying power tools with your finger on the switch or energising power tools that have the switch on invites accidents.
- **Remove any adjusting key or wrench before turning the power tool on.** A wrench or a key left attached to a rotating part of the power tool may result in personal injury.
- **Do not overreach. Keep proper footing and balance at all times.** This enables better control of the power tool in unexpected situations.
- **Dress properly. Do not wear loose clothing or jewellery. Keep your hair, clothing and gloves away from moving parts.** Loose clothes, jewellery or long hair can be caught in moving parts.
- **If devices are provided for the connection of dust extraction and collection facilities, ensure these are connected and properly used.** Use of dust collection can reduce dust-related hazards.
- **Do not let familiarity gained from frequent use of tools allow you to become complacent and ignore tool safety principles.** A careless action can cause severe injury within a fraction of a second.

### POWER TOOL USE AND CARE

- **Do not force the power tool. Use the correct power tool for your application.** The correct power tool will do the job better and safer at the rate for which it was designed.
- **Do not use the power tool if the switch does not turn it on and off.** Any power tool that cannot be controlled with the switch is dangerous and must be repaired.
- **Disconnect the plug from the power source and/or remove the battery pack, if detachable, from the power tool before making any adjustments, changing accessories, or storing power tools.** Such preventive safety measures reduce the risk of starting the power tool accidentally.
- **Store idle power tools out of the reach of children and do not allow persons unfamiliar with the power tool or these instructions to operate the power tool.** Power tools are dangerous in the hands of untrained users.



- **Maintain power tools.** Check for misalignment or binding of moving parts, breakage of parts and any other condition that may affect the power tool's operation. If damaged, have the power tool repaired before use. Many accidents are caused by poorly maintained power tools.
- **Keep cutting tools sharp and clean.** Properly maintained cutting tools with sharp cutting edges are less likely to bind and are easier to control.
- **Use the power tool, accessories and tool bits etc. in accordance with these instructions, taking into account the working conditions and the work to be performed.** Use of the power tool for operations different from those intended could result in a hazardous situation.
- **Keep handles and grasping surfaces dry, clean and free from oil and grease.** Slippery handles and grasping surfaces do not allow for safe handling and control of the tool in unexpected situations.

#### BATTERY TOOL USE AND CARE

- **Recharge only with the charger specified by the manufacturer.** A charger that is suitable for one type of battery pack may create a risk of fire when used with another battery pack.
- **Use power tools only with specifically designated battery packs.** Use of any other battery packs may create a risk of injury and fire.
- **When battery pack is not in use, keep it away from other metal objects, like paper clips, coins, keys, nails, screws or other small metal objects, that can make a connection from one terminal to another.** Shorting the battery terminals together may cause burns or a fire.
- **Under abusive conditions, liquid may be ejected from the battery; avoid contact. If contact accidentally occurs, flush with water. If liquid contacts eyes, additionally seek medical help.** Liquid ejected from the battery may cause irritation or burns.
- **Do not use a battery pack or tool that is damaged or modified.** Damaged or modified batteries may exhibit unpredictable behaviour resulting in fire, explosion or risk of injury.
- **Do not expose a battery pack or tool to fire or excessive temperature.** Exposure to fire or temperature above 130 °C may cause explosion.
- **Follow all charging instructions and do not charge the battery pack or tool outside the temperature range specified in the instructions.** Charging improperly or at temperatures outside the specified range may damage the battery and increase the risk of fire.

#### SERVICE

- **Have your power tool serviced by a qualified repair person using only identical replacement parts.** This will ensure that the safety of the power tool is maintained.
- **Never service damaged battery packs.** Service of battery packs should only be performed by the manufacturer or authorised service providers.

#### SPECIAL SAFETY RULES

- **Hold power tool by insulated gripping surfaces, when performing an operation where the cutting accessory may contact hidden wiring.** Cutting accessory contacting a "live" wire may make exposed metal parts of the power tool "live" and could give the operator an electric shock.
- **Protect your lungs.** Wear a face or dust mask if the operation is dusty.
- **Use clamps or another practical way to secure and support the workpiece to a stable platform.** Holding the workpiece by hand or against your body leaves it unstable and may lead to loss of control.
- **Keep hands away from the sawing range. Do not reach under the workpiece.** Contact with the saw blade can lead to injuries.

#### BATTERY OVERLOAD PROTECTION

The product is designed to protect the battery from overloading. When overloading is detected, the product will automatically turn off. To resume operation, turn the product off and on again. If the product fails to operate, it means that the battery pack is discharged and should be recharged in a compatible charger.

**NOTE:** There is a thermal protector for the battery cell that monitors the battery temperature. When a high temperature is detected, the product will automatically turn off and will not charge. Make sure that the temperature goes down before charging.

#### ADDITIONAL BATTERY SAFETY WARNINGS

##### WARNING

To reduce the risk of fire, personal injury, and product damage due to a short circuit, never immerse your tool, battery pack, or charger in fluid or allow a fluid to flow inside them. Corrosive or conductive fluids, such as seawater, certain industrial chemicals, and bleach or bleach-containing products, etc., can cause a short circuit.

- The ambient temperature range for the battery pack during use is between 0°C and 40°C.
- The ambient temperature range for battery storage is between 0°C and 20°C.
- Segregate electronic waste properly by removing integrated battery packs from the main unit before disposal. Hand them over to applicable collection points.
- Before removing the battery pack from the power tool, turn on the product until the battery pack is fully discharged.
- Ensure that the battery pack to be disposed of cannot come in contact with batteries, other battery packs, or conductive materials by protecting exposed connectors with insulating, non-conductive caps or tape.



## TRANSPORTING LITHIUM BATTERIES

Transport the battery pack in accordance with local and national provisions and regulations.

Follow all special requirements on packaging and labelling when transporting batteries by a third party. Ensure that no batteries can come in contact with other batteries or conductive materials while in transport by protecting exposed connectors with insulating, non-conductive caps or tape. Do not transport batteries that are cracked or leaking. Check with the forwarding company for further advice.

## MAINTENANCE

### WARNING

Remove the battery pack before assembling parts, making adjustments, cleaning, performing maintenance, or when the product is not in use. Removing the battery pack prevents accidental starting that could cause serious injury.

### WARNING

Use only original manufacturer's replacement parts, accessories, and attachments. Failure to do so can cause possible injury, can contribute to poor performance, and may void your warranty.

- Avoid using solvents when cleaning plastic parts. Most plastics are susceptible to various types of commercial solvents and may be damaged by their use. Use clean cloths to remove dirt, carbon, dust, etc.

### WARNING

Do not at any time let brake fluids, gasoline, petroleum-based products, penetrating oils, etc., come in contact with plastic parts. Chemicals can damage, weaken, or destroy plastic, which may result in serious personal injury.

### WARNING

Servicing requires extreme care and knowledge and should be performed only by a qualified service technician. For service, bring the product to the nearest authorised service centre for repair. When servicing, use only original replacement parts.

### WARNING

Use only approved pruning blades in the pruning saw. The blades must be 6" or less in length and below 25 mm in height. Any blade larger than this specification can damage the pruning saw and may void your warranty.

## RESIDUAL RISKS

Even when the product is used as prescribed, it is still impossible to completely eliminate certain residual risk factors. The following hazards may arise, and the operator should pay special attention to avoid the following:

- injury caused by vibration
  - Use the lowest speed setting that achieves the cutting. Limit exposure. See "Risk reduction."
- injury caused by dust
  - Dust may enter the eyes or respiratory system. Wear eye protection at all times. Wear the appropriate dust-control mask with filters suitable for protecting against particles from the material being cut. Do not eat, drink, or smoke in the work area. Ensure adequate ventilation.
- injury caused by electric shock
  - The blade may contact hidden wiring, causing parts of the product to become live. Always hold the product by the designated handles, and take care when blind-cutting into walls and floors where cables may be hidden.
- injury caused by contact with the blade
  - The blades are very sharp and will become hot during use. Wear gloves when changing blades. Keep hands away from the cutting area at all times. Clamp the workpiece whenever possible.
- injury caused by noise
  - Noise can damage hearing. When using power tools for an extended period of time, wear hearing protection.

## RISK REDUCTION

It has been reported that vibrations from handheld tools may contribute to a condition called Raynaud's Syndrome. Symptoms may include tingling, numbness, and blanching of the fingers, usually apparent upon exposure to cold. Hereditary factors, exposure to cold and dampness, diet, smoking, and work practices are all thought to contribute to the development of these symptoms. There are measures that can be taken by the operator to possibly reduce the effects of vibration:

- Keep your body warm in cold weather. When operating the product, wear gloves to keep the hands and wrists warm. It is reported that cold weather is a major factor contributing to Raynaud's Syndrome.
- After each period of operation, exercise to increase blood circulation.
- Take frequent work breaks. Limit the amount of exposure per day.

If you experience any of the symptoms of this condition, immediately discontinue use and see your physician.

### WARNING

Injuries may be caused, or aggravated, by prolonged use of a tool. When using any tool for prolonged periods, ensure that you take regular breaks.

## WHAT'S IN THE BOX

See page 5.

- Pruning saw x 1
- Pruning saw blade x 1
- Operator's manual x 1

## SYMBOLS ON THE PRODUCT



Safety alert



Read and understand all instructions before operating the product. Follow all warnings and safety instructions.



Do not expose the product to rain or damp conditions.



Wear eye protection.



Wear ear protection.



Wear non-slip, heavy-duty protective gloves.



Wear a mask.



Keep hands away from blades.



Remove the battery pack before starting any work on the product.



Guaranteed sound power level



Regulatory Compliance Mark (RCM). Product meets applicable regulatory requirements.



Waste electrical products should not be disposed of with household waste. Please recycle where facilities exist. Check with your local authority or retailer for recycling advice.

## SYMBOLS IN THIS MANUAL



Parts or accessories sold separately



Note



Warning

The following signal words and meanings are intended to explain the levels of risk associated with the product:

 DANGER

Indicates an imminently hazardous situation, which, if not avoided, will result in death or serious injury.

 WARNING

Indicates a potentially hazardous situation, which, if not avoided, could result in death or serious injury.

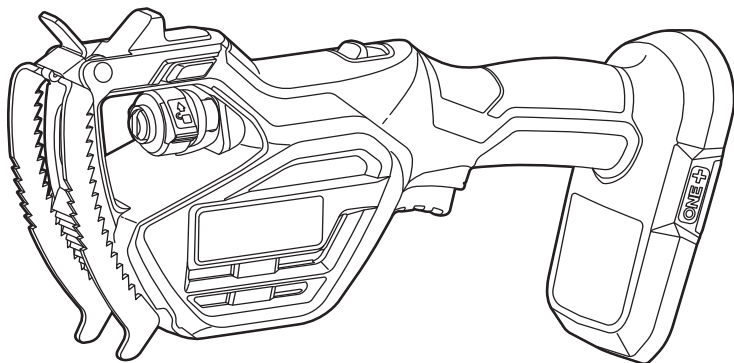
 CAUTION

Indicates a potentially hazardous situation, which, if not avoided, may result in minor or moderate injury.

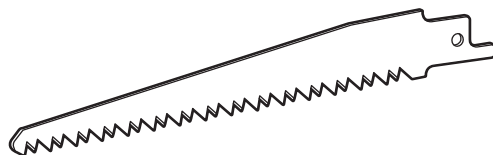
CAUTION

(Without Safety Alert Symbol)  
Indicates a situation that may result in property damage.

WHAT'S IN THE BOX



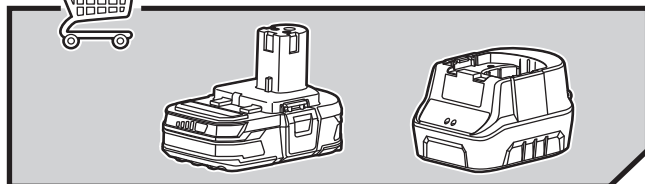
**x 1**



**x 1**

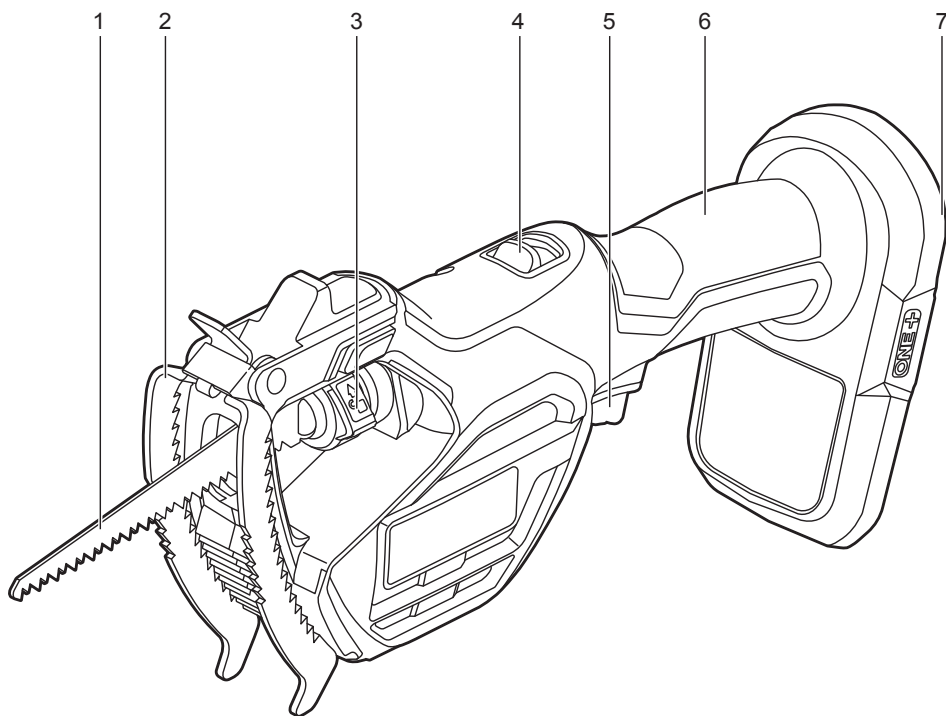


**x 1**



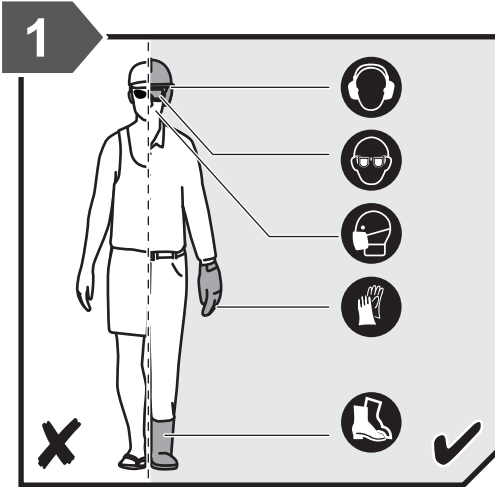
## KNOW YOUR PRODUCT

1. Pruning blade
2. Branch claw
3. Blade release lock
4. Trigger lock button
5. Trigger
6. Handle grip
7. Battery foot

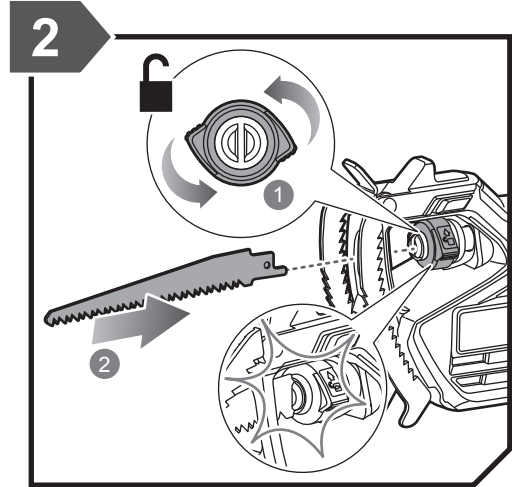




## GETTING STARTED

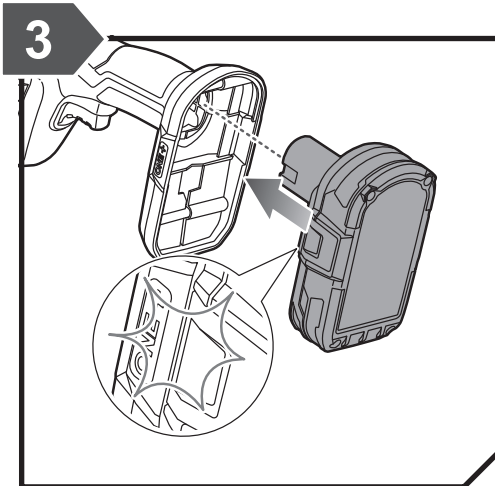


Always wear safety goggles or safety glasses with side shields when operating the product. Failure to do so could result in objects being thrown into your eyes resulting in possible serious injury. When handling the pruner assembly, wear non-slip, heavy-duty protective gloves. Wear non-skid, protective footwear that will protect your feet and improve your footing on slippery surfaces.

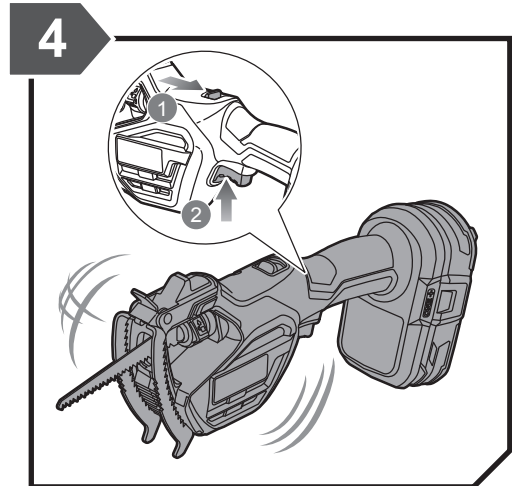


Remove the battery pack. Push and rotate the blade release lock counterclockwise. Insert the blade, and allow it to lock into position. Release the blade release lock. To check if the blade is inserted correctly, pull the blade away from the saw. If inserted correctly, the blade will sit firmly in the blade release lock.

**WARNING:** Use only approved 6" pruning saw blades when operating this saw. Wear gloves when removing and inserting the blades.



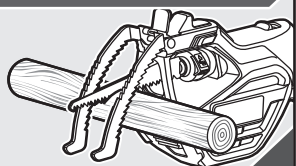
Insert the battery pack into the battery port until the latches click into place.



Slide the trigger lock button backwards, and squeeze the trigger to operate the product.

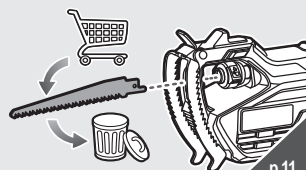
# OVERVIEW

Operating the product

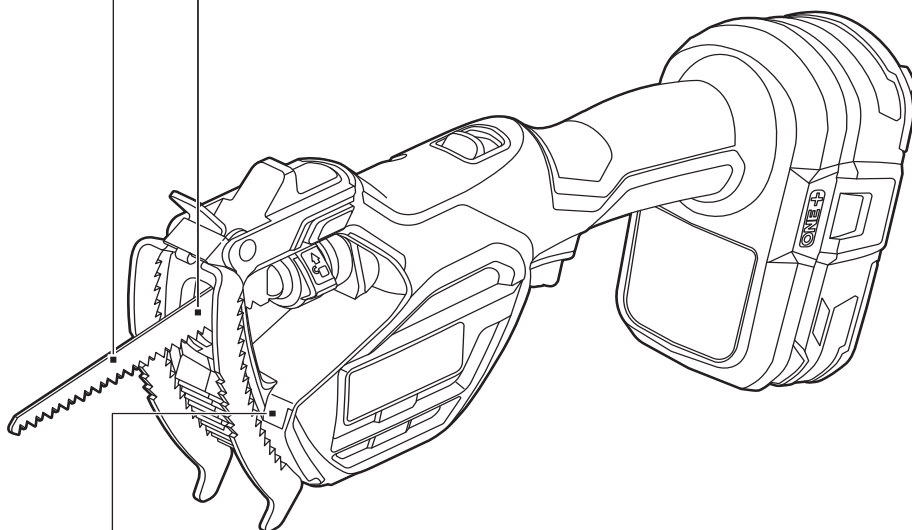


p.9

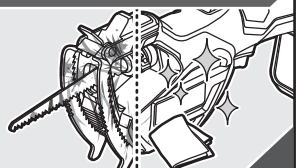
Replacing the blade



p.11



Cleaning the product



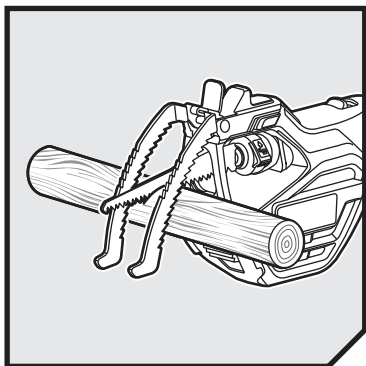
p.12

Storing the product



p.13

## OPERATION

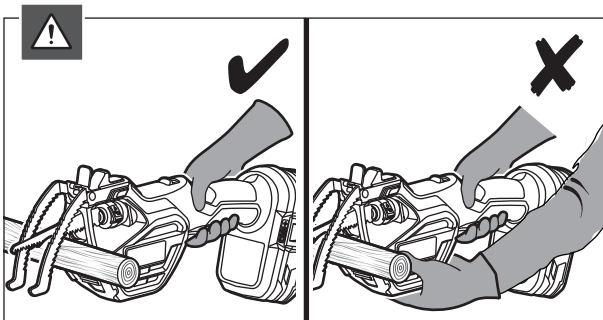
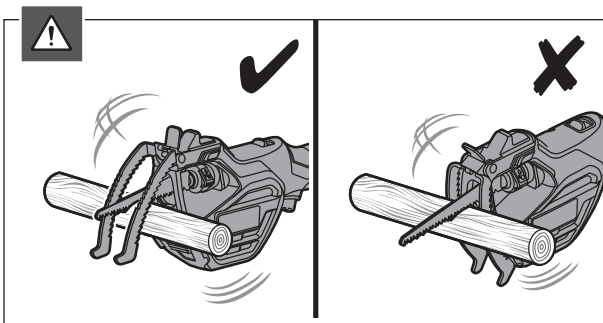
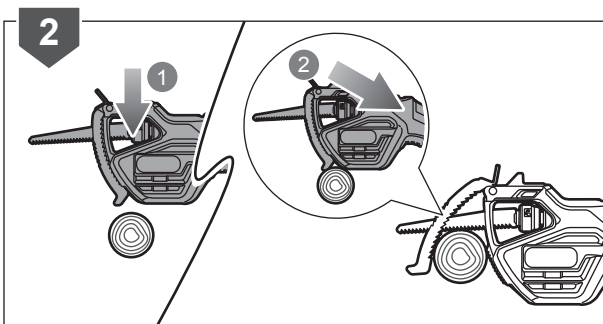
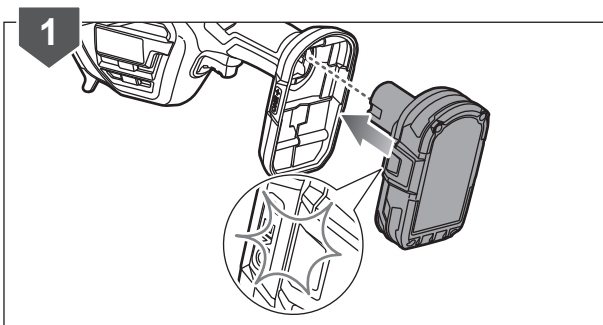


### OPERATING THE PRODUCT

1. Insert the battery pack into the battery port until the latches click into place.
2. Position the pruning saw over the limb or branch. Place the pruning saw on top of the limb, and move the pruning saw backwards until the mounting clamp is in front of the limb.

**WARNING:** Ensure that the mounting clamp is positioned over and in front of the limb before operating the product.

**WARNING:** Hold the product firmly with one hand by the handle grip while sawing. Keep hands away from the sawing range. Do not reach under the workpiece. Contact with the blade can lead to injuries. Wear gloves during this application.



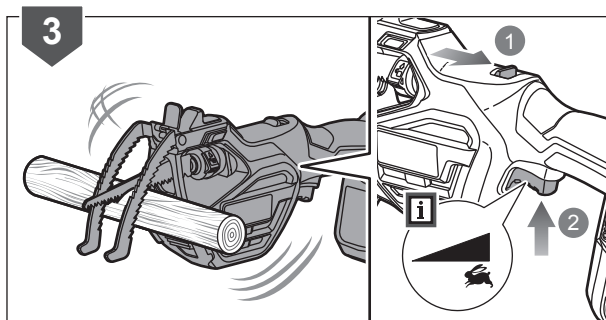
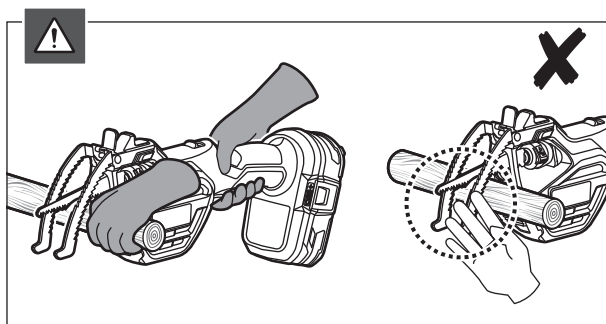
## OPERATION

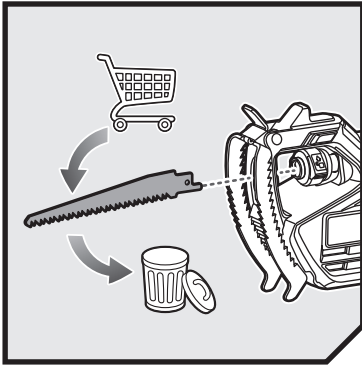
**WARNING:** Do not touch the hook, blade, or air vents while sawing.

- Slide the trigger lock button backwards, and squeeze the trigger to operate the product.

**NOTE:** Release the trigger lock button, and continue to squeeze the trigger to extend the operation.

**WARNING:** After various and continuous cuts, the saw may become warm. Wait for 3–4 minutes to allow the saw to cool down before cutting again.

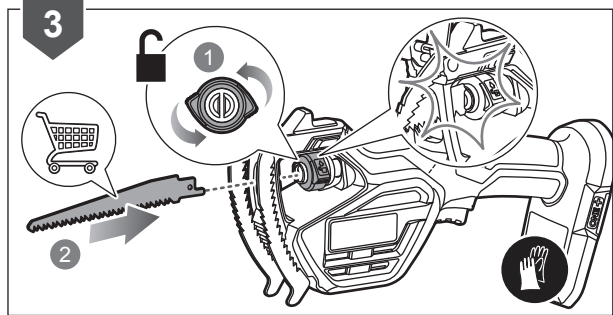
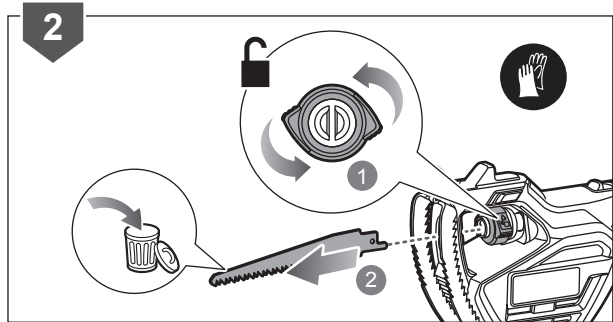
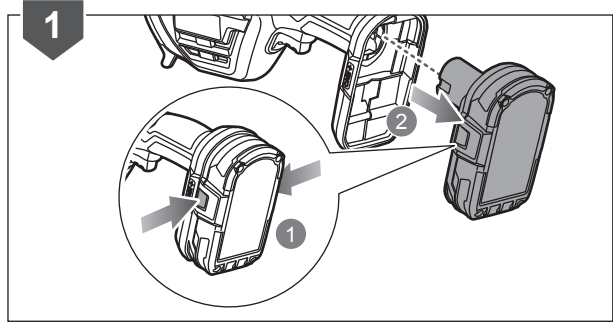


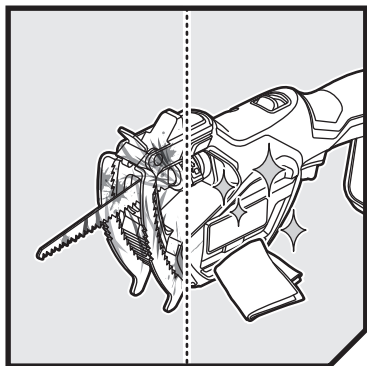


**REPLACING THE BLADE**

1. Press the latches on the battery pack. Remove the battery pack from the product.
2. Loosen the blade release clock. Remove the blade from the mounting clamp.
3. Push and rotate the blade release lock counterclockwise. Insert the blade into the blade release lock. Release the blade release lock.

**WARNING:** Use only approved pruning blades in the pruning saw. The blades must be 6" or less in length and below 25 mm in height. Any blade larger than this specification can damage the pruning saw and may void your warranty.

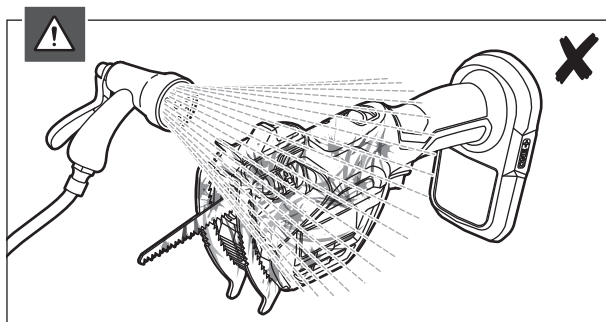
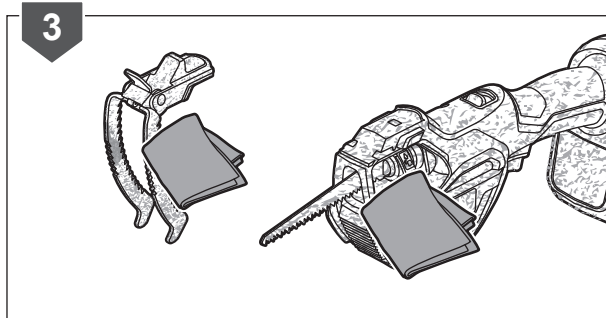
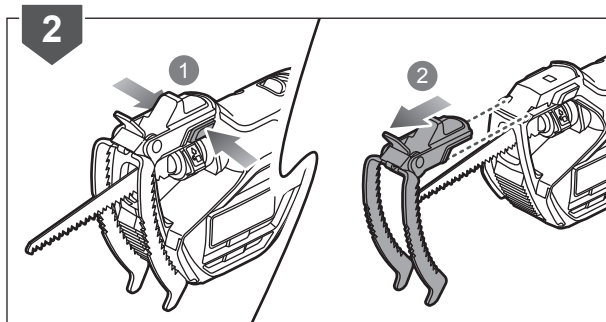
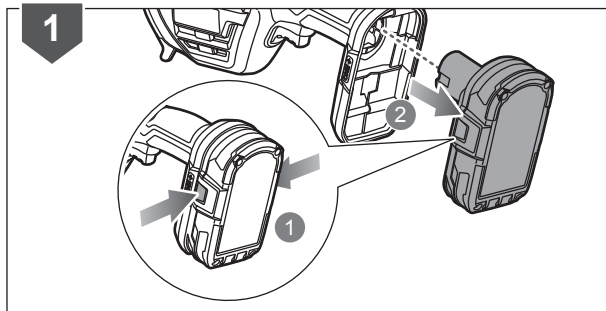




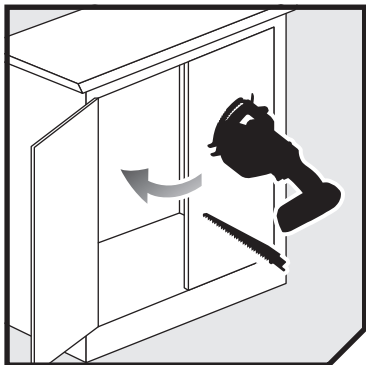
**CLEANING THE PRODUCT**

1. Press the latches on the battery pack. Remove the battery pack from the product.
2. Press the latches on the branch claw. Pull and remove the branch claw.
3. Clean all foreign material from the product with a soft, dry cloth.

**WARNING:** Avoid using solvents when cleaning plastic parts. Most plastics are susceptible to damage from various types of commercial solvents and may be damaged by their use.

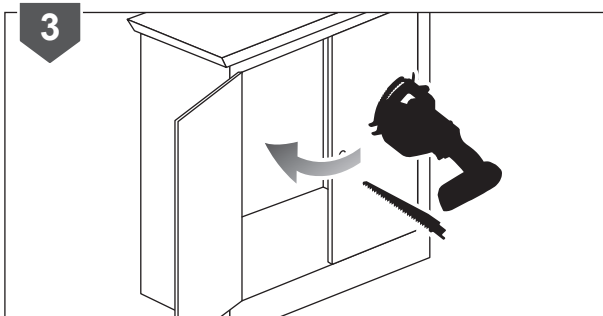
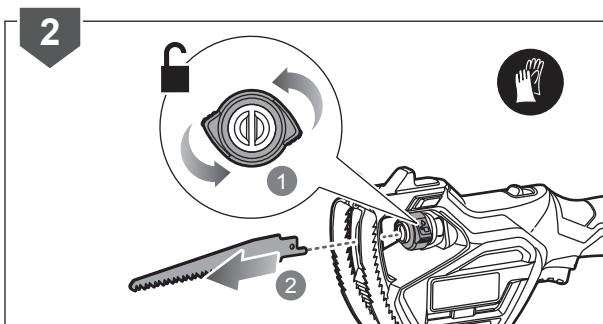
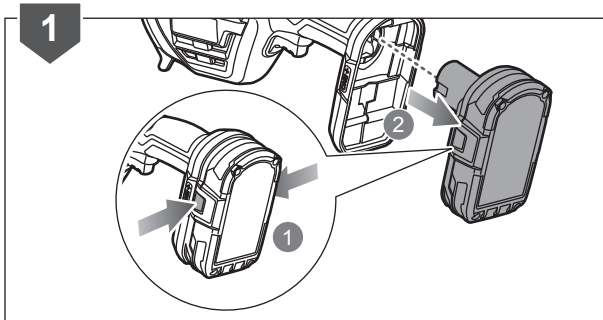


## STORAGE



### STORING THE PRODUCT

1. Press the latches on the battery pack. Remove the battery pack from the product.
2. Loosen the branch claw. Remove the blade from the blade release lock.
3. Store the product in a cool, dry, and well-ventilated place that is inaccessible to children and away from sources of ignition. Do not store the product outdoors.



## PRODUCT SPECIFICATIONS

Cordless Pruning Saw	
Model	OPS18
Voltage	18V d.c.
Weight	
Without battery pack	1.1 kg
With heaviest battery pack	2.3 kg
Cutting speed	1600–2600 spm (stroke per minute)
Cutting capacity	Ø 65 mm
Vibration total values determined according to EN 62841-1 and EN 62841-2-11	
Vibration emission value	
	$a_{h,B} = 19.9 \text{ m/s}^2$
	$a_{h,WB} = 14.7 \text{ m/s}^2$
Noise emission values determined according to EN 62841-1 and EN 62841-2-11	
A-weighted sound pressure level at the operator's position	77.4 dB (A)
A-weighted sound power level	88.4 dB (A)
Uncertainty of measurement	3.0 dB

## BATTERY AND CHARGER

Model	OPS18
Battery pack	-
Charger	-
Compatible battery packs	RB18L13, RB18L15, RB18L20, RB18L25, RB18L40, RB18L20A, RB18L50, RB18L60A, RB18L90A, RB18L15B, RB18L40A

Compatible chargers	RC18120, RC18150U, RC18627U, BCL1418IV, RC18115, RC18150, BCL14181H, BCL14183H
---------------------	--

## REPLACEMENT PARTS

Blade	RAPS62
-------	--------

## VIBRATION LEVEL

The declared vibration value has been measured with a standard test method and may be used to compare one tool with another.

The declared vibration value may be used in a preliminary assessment of exposure.

The vibration emission during actual use of power tool can differ from the declared total value depending on the ways in which the tool is used.

Identify safety measures to protect yourself based on an estimation of exposure in the actual conditions of use, taking account of all parts of the operating cycle such as the times when the tool is switched off and when it is running idle in addition to the trigger time.











*RYOBI is a trademark of Ryobi Limited,  
and is used under license.  
© 2019 Techtronic Cordless GP. All rights reserved.*

Imported by:

**Techtronic Industries Australia Pty Ltd**  
31 Gilby Road, Mount Waverley, VIC 3149,  
Melbourne, Australia

**Techtronic Industries N.Z. Limited**  
Unit C, 70 Business Parade South,  
Highbrook, Auckland 2013, New Zealand

960398020-01