



Specialist Disability  
Accommodation (SDA)  
**Robust Design  
Product Solutions**



# Your partner for Specialist Disability Accommodation (SDA) solutions

The Bunnings Commercial team is here to service you from the front gate to the back fence. We are committed to bringing you the most trusted brands that specialise in products tailored specifically for individuals living with a disability and supportive of Specialist Disability Accommodation (SDA). Across all building stages we've got you covered for your SDA Robust projects.

With over 130 years of supplying building and hardware solutions, Bunnings can supply everything from timber frames and trusses, to flooring, joinery, kitchens, appliances, commercial grade windows, façades, plumbing, lighting and more to cover all elements of an SDA Robust design. We're much more than a supplier, we're your partner. In addition to all the specialist products required for an SDA build we can supply:

- ✔ Foundations and Footings
- ✔ Heating, Cooling and Ventilation
- ✔ Windows
- ✔ Hot Water solutions
- ✔ External Cladding
- ✔ Outdoor Timber
- ✔ Roofing
- ✔ Fencing
- ✔ Insulation
- ✔ Fasteners and Fixings

© Bunnings Group Limited August 2024

The information contained in this publication is intended for qualified and experienced building professionals, is of a general nature, and draws information from the NDIS Specialist Disability Accommodation Design Standard (Edition 1.1 Issue Date 25 October 2019) as a guide only. See below for details. It does not take into account individual circumstances, objectives or applicable requirements at law or otherwise. You should not act on the basis of or rely on this information without checking that the information is still current, satisfying yourself the solutions and products proposed meet your or your client's specific needs and where applicable, obtaining advice from a suitably qualified professional. Any claims of product compliance, including with respect to the applicable Australian Standards or suitability in terms of meeting the NDIS Specialist Disability Accommodation Design Standard have been provided by our product suppliers and have not been independently verified by Bunnings. Installation is your responsibility unless Bunnings agrees to supply and manage installation for applicable products, such as joinery and flooring. Photos used in this publication are for illustrative purposes only and products that are available for sale may vary. Some products listed may not be available for immediate purchase.

The NDIS Specialist Disability Accommodation Design Standard (Edition 1.1 Issue Date 25 October 2019 [www.ndis.gov.au/sda](http://www.ndis.gov.au/sda)) licensed by the National Disability Insurance Agency (NDIA) under a Creative Commons Attribution 4.0 International Licence CC BY 4.0 has been used in the creation of this publication. The information in this publication is considered accurate at the time of publishing.



# Member of the SDA Alliance



As a national peak body, the SDA Alliance represents SDA market participants across the country. We aim to drive better housing outcomes for people with disability that enhance independence, wellbeing, and quality of life. Our members include SDA providers, institutional investors, developers, builders, financial institutions, allied health professionals and industry consultants. Our members make a significant impact on the lives of people with disability- by providing housing that is safe, innovative and designed to serve the the needs of SDA participants.

## Leading Brands



3monkeez supply commercial stainless steel plumbing products that have become the trusted choice for plumbers and builders nationwide. Known for their durability and premium quality, their products are designed with the needs of high-use environments in mind. Equipped with all necessary certifications and backed by ISO9001 certification, you can install 3monkeez products with confidence, knowing they'll meet the rigorous demands of assisted living projects.



Galvin Engineering is a 4th generation, family owned and operated, Australian manufacturing company and master distributor. They have assisted in the design and delivery of hundreds of Mental Health and Robust Housing projects of all types over the last 90 years and have extensive experience in providing specialised tapware and bathroom solutions.





## Environmental, Social and Governance at Bunnings

### Responsible sourcing

At Bunnings, we're committed to ensuring the products we sell, come from legal and sustainable operations, with good working conditions and fair treatment of people. As such, we continue to pursue sustainability by striving to make them socially responsible, environmentally aware and economically viable.

### Sustainability

We are also committed to helping customers live more sustainably, and we are proud of the role we play in supporting local communities to make a positive difference. We recognise that our business plays an important role in reducing carbon emissions and addressing climate change. We have a comprehensive roadmap in place to reduce our energy consumption and to transition towards using more renewable energy sources.

### In our Community

Bunnings is committed to participating in the communities in which we operate by contributing to local, regional and national causes, charities and organisations throughout Australia and New Zealand. We provide ongoing assistance to a wide range of local community groups including schools, sporting clubs and service clubs.



For full details on our responsible sourcing, sustainability or community commitments [click here](#)

## **r** Robust Design Standard

Specialist Disability Accommodation (SDA) with the design category of **Robust** is specifically designed to cater for people who require an environment resilient to high impact behaviours, and provides a safe space for both the residents, and the community.

These accommodations are constructed using resilient, but inconspicuous materials to reduce the risk of injury, minimise neighbourhood disturbances, and cope with heavy use. They will also include features such as secure windows, doors, walls and soundproofing. The design also takes into consideration the need for reduced stimuli, which is beneficial for people who may have behavioural concerns.

Robust SDA homes are not only durable, but they also incorporate elements that are easy to clean and maintain, ensuring longevity and a consistent living environment. The goal of Robust SDA is to provide a living space that supports independence while ensuring the safety and well-being of its occupants.

It's a thoughtful convergence of durability, functionality, and design, intended to create a harmonious environment that respects the needs of individuals, ultimately contributing to their quality of life and community integration.

When building to the SDA Robust standards, additional consideration will need to be given to the selection of many materials and products, including:

- Flooring and wall coverings
- Lighting and soundproofing
- Door and window furniture and locks
- Front-of-wall plumbing, tapware and bathroom accessories
- Anti-Ligature and vandal-proof fixtures and fittings
- Safety glass and window coverings
- Joinery and benchtops
- Appliances





## **PRODUCT CATEGORIES**

**Doors & Door Hardware**

**Floor & Wall Linings**

**Electrical**

**Assistive Technology**

**Kitchen and Laundry**

**Bathroom**

\*The NDIS SDA Design Standard (SDA) must be consulted with respect to design and compliance requirements. The products presented in this catalogue also rely on correct installation to meet the requirements of AS1428.

# DOORS & DOOR HARDWARE

**Introduction**

**Entrance Doors**

**Internal Doors**

**Door Hardware**

## Introduction

**The SDA Design Standard specifies the following door and door hardware requirements for Robust builds\*:**

- Doorways need to provide a minimum opening clearance of 820mm
- All internal doorways should have a level, step-free transition and threshold (maximum vertical tolerance of 3mm vertical or 5mm between abutting surfaces is allowable provided the lip is rounded or bevelled)
- Any Timber doors provided should be solid core.
- All glazed areas, glazed doors, and side lights should be laminated glass or polycarbonate resin thermoplastic material
- Doorways should have door handles installed at between 900mm to 1100mm above the finished floor level
- Products selected need to be durable and resilient with additional consideration required for resident's fixtures and fittings to be vandal-proof at minimum (low risk) or anti-ligature (med/high risk)

\*The NDIS SDA Design Standard (SDA) must be consulted with respect to design and compliance requirements. The products presented in this catalogue also rely on correct installation to meet the requirements of AS1428.

## Entrance Doors

### Newington Entrance Door XN5 Translucent Laminate



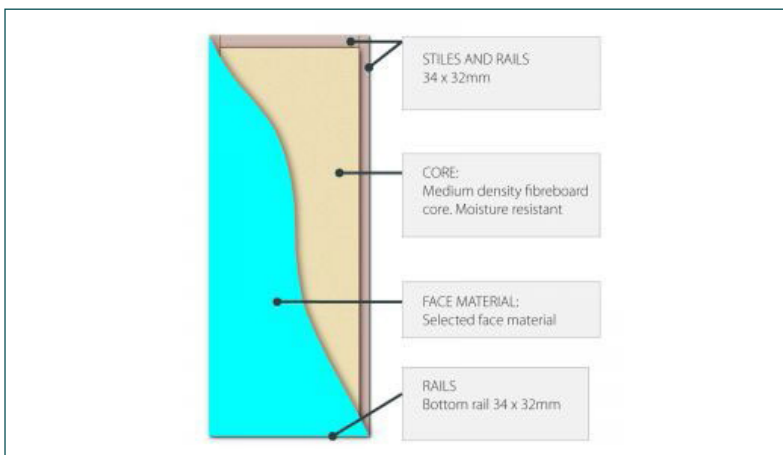
**I/No:** 2034079 **Supplier Code:** XN5 G2 2040x870x40mm

**Product Dimensions:** 2040mm H x 870mm W x 40mm D **Warranty:** 5 Year



#### Product Features:

- Solid core Construction engineered for strength and stability
- Timeless design with laminated glass panel
- Duracote Tempered Hardboard
- Ready to paint



<b>2034079</b>	2040mm H x 870mm W x 40mm D
<b>0482099</b>	2040mm H x 920mm W x 40mm D
<b>0998842</b>	2040mm H x 1020mm W x 40mm D

[Click here](#) for more product information

\*By clicking this link you are being taken to an external website.

[Home](#)

## Entrance Doors

### Urban Entrance Door Primed



**I/No:** 2025060 **Supplier Code:** PURB4 58059

**Product Dimensions:** 2040mm H x 870mm W x 40mm D **Warranty:** 5 Year



#### Product Features:

- Lightweight feature entry door
- Features CoriTech core construction
- External primed skin ready for painting

2025060	2040mm H x 870mm W x 40mm D
2019241	2040mm H x 920mm W x 40mm D

[Click here](#) for more product information

\*By clicking this link you are being taken to an external website.

[Home](#)

## External Doors

### Door External/Internal Flush Solicore SCX1



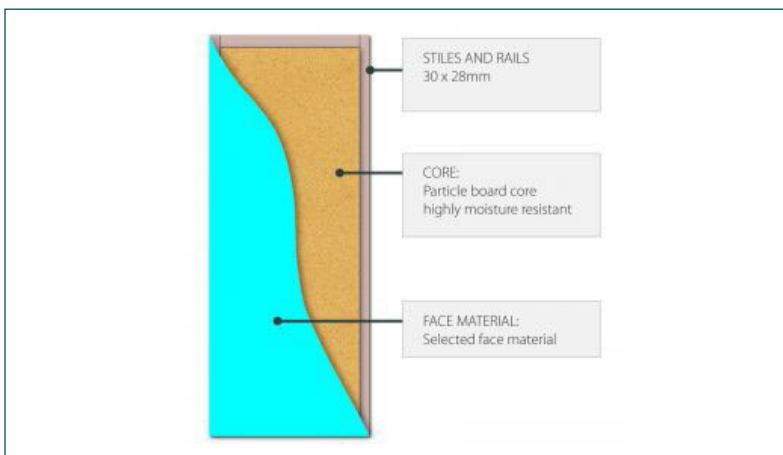
**I/No:** 0619393 **Supplier Code:** SCX1 Solicore 2040x870x40mm

**Product Dimensions:** 2040mm H x 870mm W x 40mm D **Warranty:** 5 Year



#### Product Features:

- Solid construction
- Pre primed ready for paint
- Timber stiles and rails
- Solicore particleboard core construction



<b>0619393</b>	2040mm H x 870mm W x 40mm D
<b>N/A</b>	2040mm H x 920mm W x 40mm D
<b>0619332</b>	2040mm H x 1020mm W x 40mm D

[Click here](#) for more product information

\*By clicking this link you are being taken to an external website.

[Home](#)

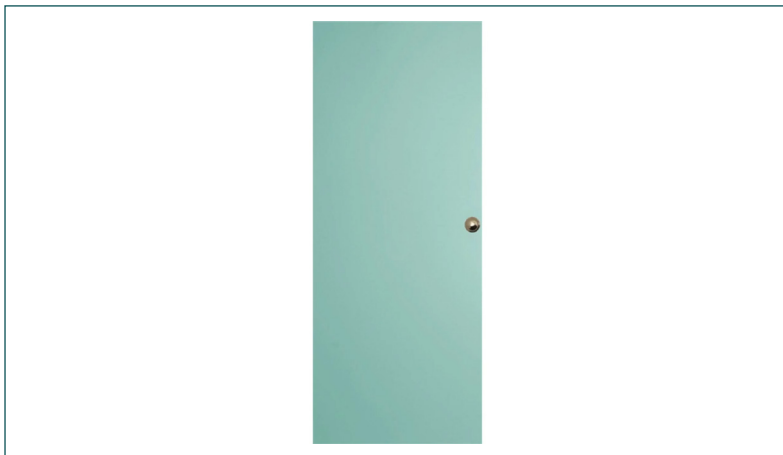
## Internal Doors

### Door X1 SPM Flush Panel Duracote



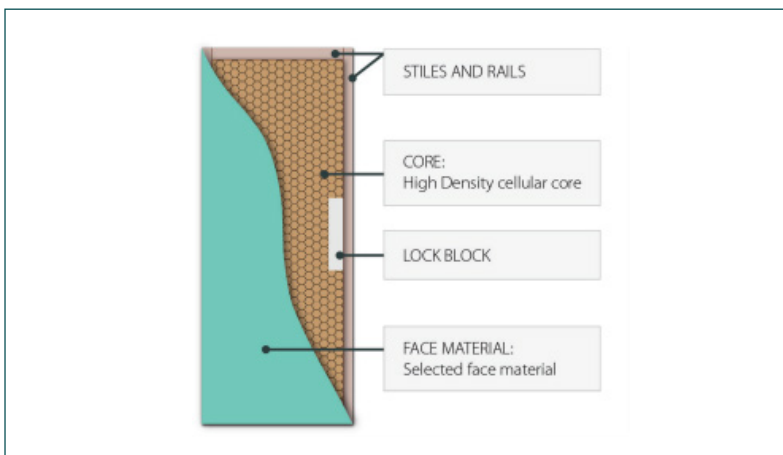
**I/No:** 1972117 **Supplier Code:** X1 Duracote SPM 2040x870x35mm

**Product Dimensions:** 2040mm H x 870mm W x 35mm D **Warranty:** 5 Year



#### Product Features:

- High density honeycomb core
- Ready for paint
- Constructed from Duracote tempered hardboard



1972117	2040mm H x 870mm W x 35mm D
N/A	2040mm H x 920mm W x 35mm D
N/A	2040mm H x 1020mm W x 35mm D

[Click here](#) for more product information

\*By clicking this link you are being taken to an external website.

[Home](#)

**Pull Handles**

**Polo D Pull Handle 300mm**



**I/No:** 0791823 **Supplier Code:** Multiple

**Product Dimensions:** 300mm L x 30x15mm W x 50mm D **Warranty:** 20 Years



**Product Features:**

- Can be installed to comply with AS1428
- Constructed of 316 Marine Grade Stainless Steel

<b>0798123</b>	Stainless Steel 7098.BB.SS	
<b>0791740</b>	Matt Black 7098.BB.BLK	
<b>0791787</b>	Graphite Nickel 7098.BB.GN	
<b>0791640</b>	Satin Brass 7098.BB.SB	

[Click here](#) for more product information

\*By clicking this link you are being taken to an external website.

[Home](#)

**Pull Handles**

**Polo D Pull Handle 900mm**







**I/No:** 0791775 **Supplier Code:** Multiple

**Product Dimensions:** 900mm L x 40x20mm W x 60mm D **Warranty:** 20 Years



**Product Features:**

- Can be installed to comply with AS1428
- Constructed of 316 Marine Grade Stainless Steel

<b>0791775</b>	Graphite Nickel 7101.BB.GN	
<b>0791779</b>	Stainless Steel 7101.BB.SS	
<b>0791702</b>	Matt Black 7101.BB.BLK	
<b>0791663</b>	Satin Brass 7101.BB.SB	

[Click here](#) for more product information

\*By clicking this link you are being taken to an external website.

[Home](#)

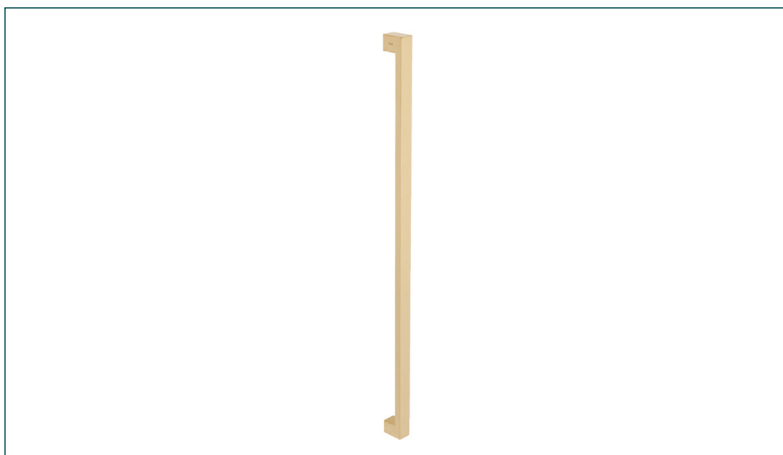
**Pull Handles**

**Polo D Pull Handle 1800mm**



**I/No:** 0791643 **Supplier Code:** Multiple

**Product Dimensions:** 1800m L x 40x20mm W x 60mm D **Warranty:** 20 Years



**Product Features:**

- Can be installed to comply with AS1428
- Constructed of 316 Marine Grade Stainless Steel

<b>0791643</b>	Satin Brass 7102.BB.SB	
<b>0791693</b>	Stainless Steel 7102.BB.SS	
<b>0791677</b>	Matt Black 7102.BB.BLK	
<b>0791655</b>	Graphite Nickel 7102.BB.GN	

[Click here](#) for more product information

\*By clicking this link you are being taken to an external website.

[Home](#)

## Pull Handles

### Wyatt Knurled D Pull Handle 470mm

**ZANDA**  
ARCHITECTURAL HARDWARE



**I/No:** 1028403 **Supplier Code:** Multiple

**Product Dimensions:** 470mm L x 20mm W x 58mm D **Warranty:** 20 Years



#### Product Features:

- Stainless Steel construction.
- Radiused corners for improved ergonomics.
- 470mm overall length, 450mm center to center size.
- 20mm pull-bar width, with 58mm projection.
- 20 year mechanical warranty.
- Sold as back to back pair & includes fixings.

1028403	Stainless Steel 7385.BBSS	
1028403	Matt Black 7385.BB.BLK	

[Click here](#) for more product information

\*By clicking this link you are being taken to an external website.

[Home](#)

## Lock Sets

### Mortice Lock Set Stainless Steel

**ZANDA**  
ARCHITECTURAL HARDWARE

**I/No:** 0791736 **Supplier Code:** Multiple

**Product Dimensions:** 85mm W x 175mm H x 25mm D **Warranty:** 10 Years



#### Product Features:

- 60mm backset fire rated mortice lock
- Use Melani passage set, turnsnib escutcheon, and oval cylinder for complete entrance set solution
- Warranty:  
Mortice lock 10 Year  
Passage set 25 Year  
Turnsnib 7 Year
- Accessible compliant



<b>0791736</b>	Mortice Lock 1450.SS
<b>1028471</b>	Melani Passage Lever 8982.SS
<b>1028528</b>	Turnsnib Eschutcheon 7023.SS
<b>N/A</b>	Oval Cylinder 1160.SC

[Click here](#) for more product information

\*By clicking this link you are being taken to an external website.

[Home](#)

## Lock Sets

### Mortice Lock Set Matt Black

**ZANDA**  
ARCHITECTURAL HARDWARE

**I/No:** 0791769 **Supplier Code:** Multiple

**Product Dimensions:** 85mm W x 175mm H x 25mm D **Warranty:** 10 Years



#### Product Features:

- 60mm backset fire rated mortice lock
- Use Melaini passage set, turnsnib escutcheon, and oval cylinder for complete entrance set solution
- Warranty:  
Mortice lock 10 Year  
Passage set 25 Year  
Turnsnib 7 Year
- Accessible compliant



<b>0791769</b>	Mortice Lock 1450.BLK
<b>1028424</b>	Melaini Passage Lever 8982.BLK
<b>1028430</b>	Turnsnib Eschutcheon 7023.BLK
<b>0791681</b>	Oval Cylinder 1160.BLK

[Click here](#) for more product information

\*By clicking this link you are being taken to an external website.

[Home](#)

## Entrance Set

### G2 Sparta Entrance Set Satin Chrome Plate



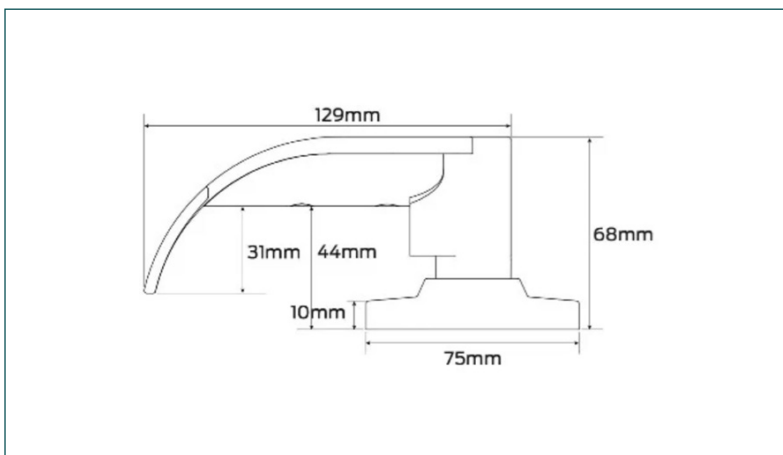
I/No: 0136390 Supplier Code: G2SENTSK

Product Dimensions: 129mm L x 68mm D Warranty: 10 Years



#### Product Features:

- Fire rated
- Internal lever always unlocked
- Can be keyed alike
- Restricted master key option dependent on keying system
- Suits door thickness 35-50mm
- AS1428.1 Compliant



## Entrance Set

### Phoenix Commercial Entrance Set

**ZANDA**  
ARCHITECTURAL HARDWARE

**I/No:** 0640231 **Supplier Code:** Multiple

**Product Dimensions:** 134m L x 75mm W x 68mm D **Warranty:** 10 Years



#### Product Features:

- Suitable for 35-47mm thick doors
- 70mm backset standard
- 75mm diameter rose
- C4, 6 pin keyway
- 10 Year mechanical warranty

<b>0604231</b>	Satin Chrome 11020.SC
<b>N/A</b>	Matt Black 11020.BLK

[Click here](#) for more product information

\*By clicking this link you are being taken to an external website.

[Home](#)

## Entrance Levers

### Haro Entrance Set - Satin Stainless Steel

LEMAAR

I/No: 0555313 Supplier Code: 27000SSS

Product Dimensions: 135mm L x 66mm D Warranty: 10 Year Limited Warranty



#### Product Features:

- 6 Pin cylinder
- Marine grade 316 stainless steel
- Round 70mm rosette or backplate
- For timber or metal doors
- 54mm face hole
- Can be installed to meet AS1428

[Click here](#) for more product information

\*By clicking this link you are being taken to an external website.

[Home](#)

## Passage Set

### Meilani Passage Set

**ZANDA**  
ARCHITECTURAL HARDWARE


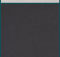
**I/No:** 1028471 **Supplier Code:** Multiple

**Product Dimensions:** 55mm Rose **Warranty:** 10 Years



#### Product Features:

- 25 Year Mechanical Warranty
- 55mm Rose
- Fire tested to AS1530.4
- Disabled Compliant
- Stainless Steel Finish  
Turnsib Escutcheon
- Round Escutcheon with  
Disabled Turn

<b>1028471</b>	Stainless Steel 8982.SS	
<b>1028424</b>	Matt Black 8982.BLK	

[Click here](#) for more product information

\*By clicking this link you are being taken to an external website.

[Home](#)

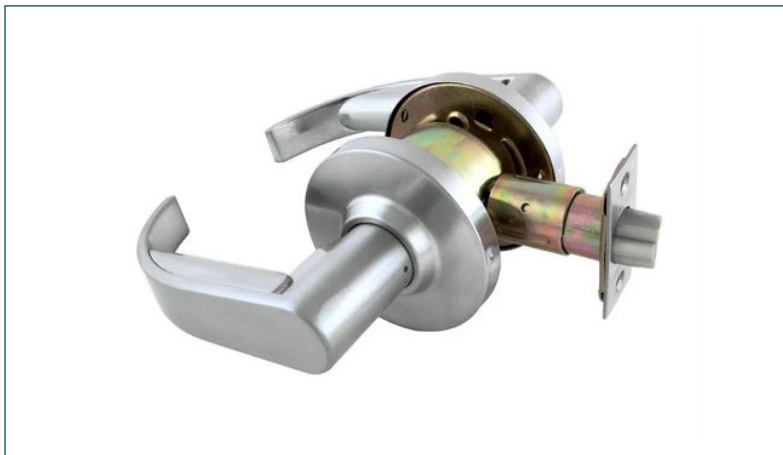
## Passage Set

### G2 Sparta Passage Set Satin Chrome Plate



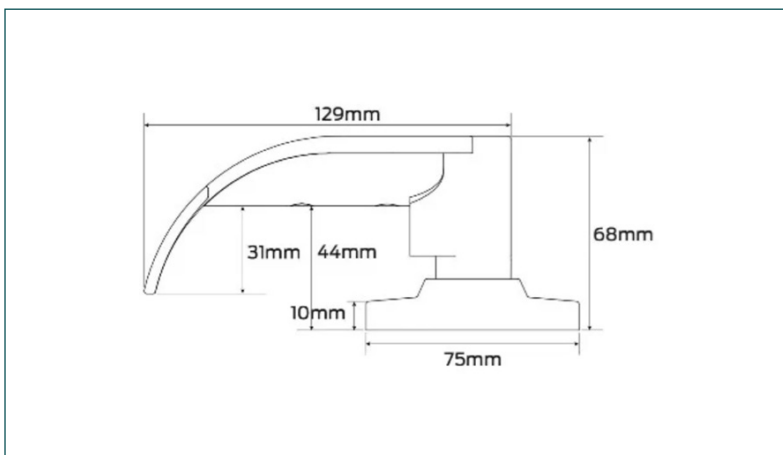
I/No: 1016413 Supplier Code: G2SPASS

Product Dimensions: 129mm L x 68mm D Warranty: 10 Years



#### Product Features:

- AS1428.1 Compliant
- Tested in excess of 400,000 operating cycles
- Snap-on inside rose conceals mounting plate and screws
- Supplied standard D & T strikes and spacer rings
- Ideally suited for residential, light & medium duty commercial applications
- Non-handed



Passage Set

# Neue Telo Passage Leverset



I/No: 0501058 Supplier Code: 1905TELAMB

Product Dimensions: 50mm D x 65mm H x 148mm L Warranty: 10 Years



**Product Features:**

- Return to face lever design
- Designed for access & mobility
- Privacy lever with an internal locking pin ensuring privacy where needed and an external emergency release for peace of mind
- Easy to install

0501058	Matt Black	
0501044	Brushed Satin Chrome	

[Click here](#) for more product information

\*By clicking this link you are being taken to an external website.

[Home](#)

Passage Set

Haro Passage Lever - Satin Stainless Steel

LEMAAR

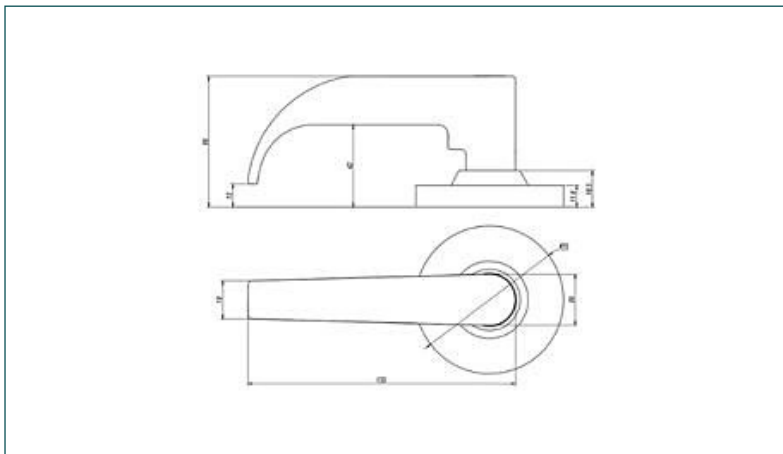
I/No: 0555318 Supplier Code: 27001SSS

Product Dimensions: 135mm L x 66mm D Warranty: 10 Year Limited Warranty



Product Features:

- Fire rated
- AS1428.1 compliant
- 316 marine grade stainless steel



[Click here](#) for more product information

\*By clicking this link you are being taken to an external website.

[Home](#)

## Privacy Set

### Meilani Privacy Set

**ZANDA**  
ARCHITECTURAL HARDWARE


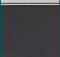
**I/No:** 1028496 **Supplier Code:** Multiple

**Product Dimensions:** 55mm Rose **Warranty:** 10 Years



#### Product Features:

- 25 Year mechanical warranty
- 55mm Rose
- Fire tested to AS1530.4
- Accessible compliant
- Round escutcheon with accessible turn

1028496	Stainless Steel 8930.SS	
1028401	Matt Black 8930.BLK	

[Click here](#) for more product information

\*By clicking this link you are being taken to an external website.

[Home](#)

## Privacy Set

### G2 Sparta Privacy Set Satin Chrome Plate



**I/No:** 0432021 **Supplier Code:** G2SPRIS

**Product Dimensions:** 129mm L x 68mm D **Warranty:** 10 Years



#### Product Features:

- AS1428.1 Compliant
- Tested in excess of 400,000 operating cycles
- Snap-on inside rose conceals mounting plate and screws
- Supplied standard D & T strikes and spacer rings
- Ideally suited for residential, light & medim duty commercial applications
- Non-handed

Privacy Set

Neue Telo Privacy Leverset



I/No: 0501030 Supplier Code: 1915TELAMB

Product Dimensions: 50mm D x 65mm H x 148mm L Warranty: 10 Years



Product Features:

- Return to face lever design
- Designed for access & mobility and meets DDA requirements
- Uses a standard 50-54mm cut-out
- Easy to install, with concealed fixing for a clean look

0501030	Matt Black	
0501048	Brushed Satin Chrome	

Click here for more product information

\*By clicking this link you are being taken to an external website.

Home

## Privacy Set

### Haro Privacy Lever Set - Stainless Steel

LEMAAR

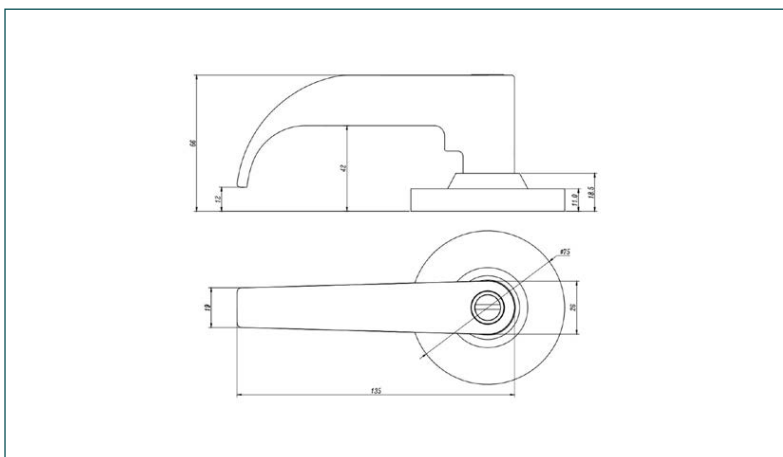
I/No: 0555316 Supplier Code: 27002SSS

Product Dimensions: 75mm W x 65mm H x 135mm L Warranty: 12 Years



#### Product Features:

- Left or Right Handed
- Spacers included
- 54mm Face Hole
- 70mm backset from surface of door
- 316 Marine Grade Stainless Steel
- Fire Rated



[Click here](#) for more product information

\*By clicking this link you are being taken to an external website.

[Home](#)

## Commercial Locksets

### Phoenix Commercial Storeroom Set

**ZANDA**  
ARCHITECTURAL HARDWARE


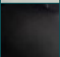
**I/No:** 0604220 **Supplier Code:** Multiple

**Product Dimensions:** 134mm L x 54mm D **Warranty:** 20 Years



#### Product Features:

- Suitable for 35-47mm thick doors
- 70mm backset standard
- 75mm diameter rose
- C4, 6 pin keyway
- 10 Year mechanical warranty
- Stainless Steel Latch Bolt
- Fire tested to AS1530.4
- Can be installed to comply with AS1428.1

0604220	Satin Chrome 11024.SC	
N/A	Matt Black 11024.BLK	

[Click here](#) for more product information

\*By clicking this link you are being taken to an external website.

[Home](#)

## Commercial Locksets

### Haro Storeroom Leverset - Satin Stainless Steel

LEMAAR

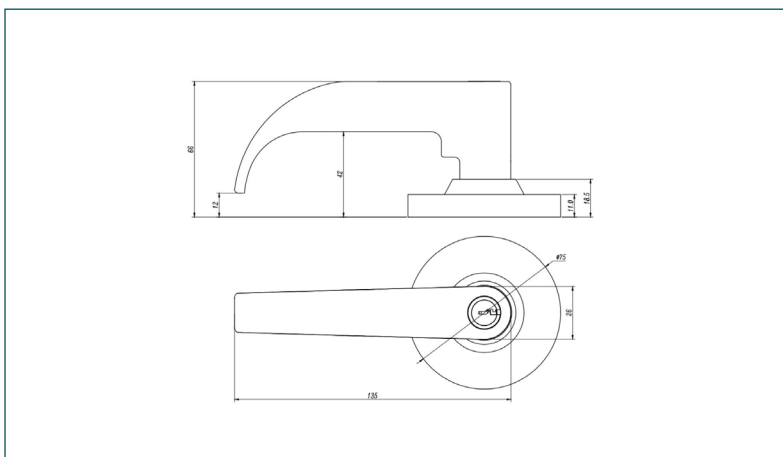
I/No: 0555319 Supplier Code: 27004SSS

Product Dimensions: 135mm L x 66mm D Warranty: 10 Year Limited Warranty



#### Product Features:

- 6 Pin cylinder
- Marine grade 316 stainless steel
- Round 70mm rosette or backplate
- For timber or metal doors
- 54mm face hole
- Can be installed to meet AS1428.1



[Click here](#) for more product information

\*By clicking this link you are being taken to an external website.

[Home](#)

## Door Closers

### Cam Action Door Closer

**ZANDA**  
ARCHITECTURAL HARDWARE

**I/No:** 1028461 **Supplier Code:** Multiple

**Product Dimensions:** 461mm W x 98mm H x 43mm D **Warranty:** 35 Years



#### Product Features:

- Opening angle 120 degrees
- Non-handed
- 35 Year Warranty
- Adjustable latch and closing speed
- Max door width 1250mm
- Power size 2-5
- Max door weight of up to 110kg

1028461	Brushed Nickel TS.11205.SNP	
1028520	Matt Black TS.11205.BLK	

[Click here](#) for more product information

\*By clicking this link you are being taken to an external website.

[Home](#)

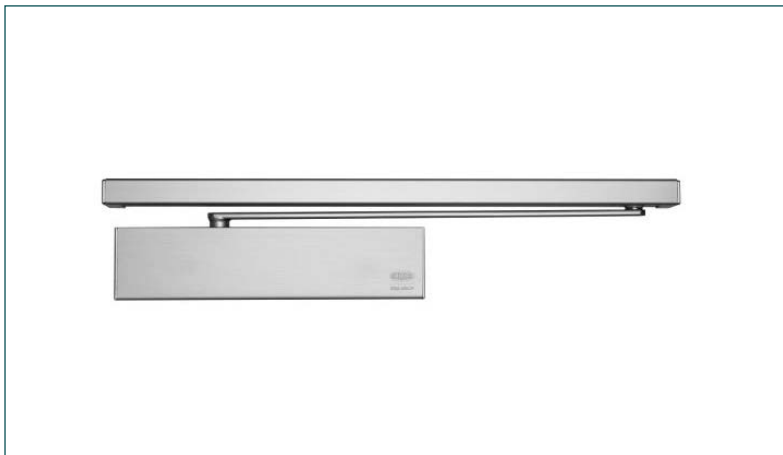
## Door Closers

### 2615 Series Cam Action Door Closer



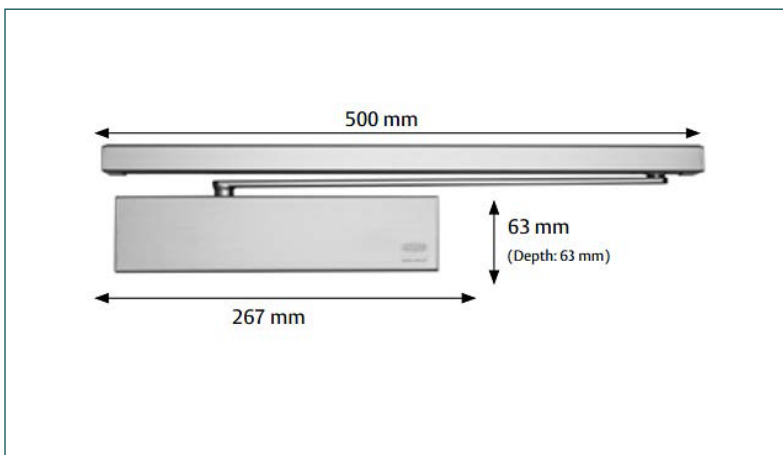
I/No: 0318242 Supplier Code: 23615DASIL

Product Dimensions: 500mm L x 63mm D Warranty: 25 Years



#### Product Features:

- Cam Design means this premium door closer is light to open but still strong enough to close a door
- Can be adjusted to meet the requirements of a light door opening resistance and is ideal for interior and exterior doors



[Click here](#) for more product information

\*By clicking this link you are being taken to an external website.

[Home](#)

# FLOOR & WALL LININGS

**Introduction**

**Floor Tiles**

**Vinyl Flooring**

**Wall Lining**

## Introduction

**The Specialist Disability Accommodation (SDA) Design Standard specifies the following requirements for Robust builds\*:**

- All flooring for bathrooms, kitchens and laundries must be tested to a minimum slip resistance rating of P3 or R10
- Carpeting must meet a requirement of a maximum total height of 15mm

\*The NDIS SDA Design Standard (SDA) must be consulted with respect to design and compliance requirements. The products presented in this catalogue also rely on correct installation to meet the requirements of AS1428.

**Floor Tiles**

**Cemento 400x400mm Ceramic Floor Tile**






**I/No:** 0012634 **Supplier Code:** Multiple

**Product Dimensions:** 400mm W x 400mm H x 8.4mm D **Warranty:** 10 Years



**Product Features:**

- Ceramic indoor floor tile
- P4 slip rating
- Suitable for bathroom, entry, kitchen, laundry & living floors

<b>0012634</b>	White Matt	
<b>0012635</b>	Taupe Matt	
<b>0012633</b>	Charcoal Matt	

[Click here](#) for more product information

\*By clicking this link you are being taken to an external website.

 [Home](#)

**Vinyl Flooring**

**Virtuo Classic 55 XL**



**I/No:** 0676410 **Supplier Code:** 1011

**Product Dimensions:** 230mm W x 1500mm L x 25mm D **Warranty:** 15 Years



**Product Features:**

- Virtuo Classic 55 planks are designed for permanent, glued installation
- Dryback
- Realistic appearance
- Easy to install
- R10 slip rating

<b>0676410</b>	Empire Blond	
<b>0676415</b>	Empire Clear	
<b>0676416</b>	Astir Spotted Gum	

[Click here](#) for more product information

\*By clicking this link you are being taken to an external website.

[Home](#)

## Wall Lining

### Ezi-Line Magnum Board Rebated Edge 1200mm x 9mm



**I/No:** 0182467 **Supplier Code:** Ezi-Line Rebated 1200x9mm

**Product Dimensions:** 2400mm W x 1200mm L x 9mm D **Warranty:** 30 Years



#### Product Features:

- High impact resistance
- Mould & insect proof
- Suitable for wet areas
- Silica free formula

<b>0182467</b>	2400x1200x9mm
<b>0182468</b>	2700x1200x9mm
<b>0182469</b>	3000x1200x9mm

[Click here](#) for more product information

\*By clicking this link you are being taken to an external website.

[Home](#)

## Wall Lining

### Ezi-Line Magnum Board Square Edge 1200mm x 12mm



**I/No:** 0182470 **Supplier Code:** Ezi-Line Square Edge 1200x12mm

**Product Dimensions:** 2400mm W x 1200mm L x 12mm D **Warranty:** 30 Years



#### Product Features:

- High impact resistance
- Mould & insect proof
- Suitable for wet areas
- Silica free formula

<b>0182470</b>	2400x1200x12mm
<b>0182471</b>	2700x1200x12mm
<b>0182472</b>	3000x1200x12mm

[Click here](#) for more product information

\*By clicking this link you are being taken to an external website.

[Home](#)

## Wall Lining

### Easycraft 1200x9mm EasyVJ100 Wall Lining Primed General Purpose MR MDF E0



**I/No:** 0330364 **Supplier Code:** Multiple

**Product Dimensions:** 2400mm W x 1200mm L x 9mm D **Warranty:** 7 Years



#### Product Features:

- Made from moisture resistant (MRE0) MDF
- Primed and ready to paint for fast, easy installation.
- Hidden tongue and groove easyJOIN+ system
- High impact resistance, 300% tougher than plasterboard
- Consistent board surface, no knot holes, splitting or splinters
- Australian made and owned

<b>0330364</b>	2400x1200x9mm
<b>0440018</b>	2700x1200x9mm
<b>0330158</b>	3000x1200x9mm

[Click here](#) for more product information

\*By clicking this link you are being taken to an external website.

[Home](#)

# **ELECTRICAL**

**Introduction**

**Switches**

**Lighting**

**Inline Exhaust Fans**

[Home](#)

## Introduction

**The SDA Design Standard specifies the following Electrical requirements for Robust builds\*:**

- Light and power outlet switches should be rocker action, toggle or push pad in design with a minimum width of 35mm
- Dimmable lighting switches should be provided in living areas and bedrooms
- Task lighting should be provided above workspaces. A minimum level of 300lux should be achieved when tested at maximum intervals of 1500mm, directly over the surface of the benchtops
- Recessed lighting fixtures should be provided

\*The NDIS SDA Design Standard (SDA) must be consulted with respect to design and compliance requirements. The products presented in this catalogue also rely on correct installation to meet the requirements of AS1428.

## Switches

## Como Double Powerpoint White Square



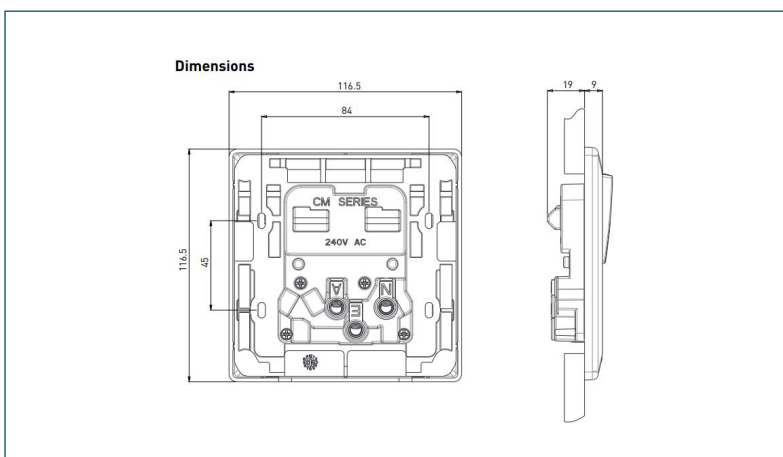
I/No: 4332201 Supplier Code: CM777WE

Product Dimensions: 116.5mm W x 116.5mm H x 9.0mm D Warranty: 1 Year



**Product Features:**

- Double power point
- 10A 240V a.c.
- Plate size: 114mm x 70mm
- Mounting centres 84mm
- Colour: White
- Horizontal format
- Cut-out size: 95 x 90mm
- Plate dimensions: 116.5 x 116.5mm
- Plate thickness 8mm



[Click here](#) for more product information

\*By clicking this link you are being taken to an external website.

[Home](#)

## Switches

## Como Single Powerpoint White Square



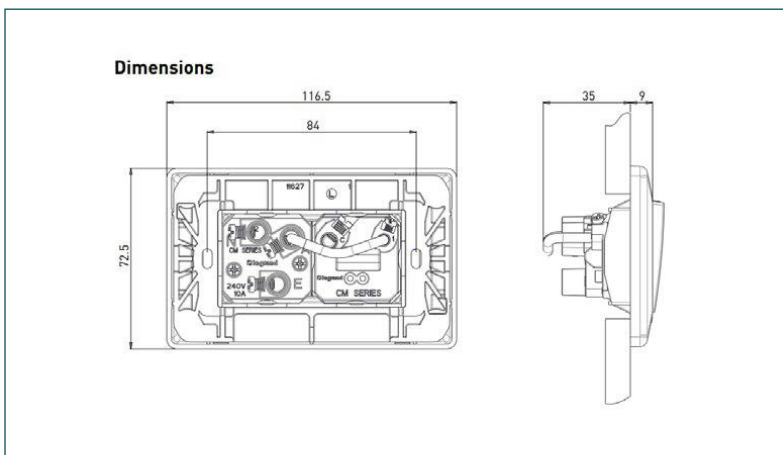
I/No: 4332202 Supplier Code: CM787WE

Product Dimensions: 116.0mm W x 72.0mm H x 8.0mm D Warranty: 1 Year



**Product Features:**

- Single power point
- 10A 240V a.c.
- Mounting centres 84mm
- Colour: White
- Horizontal format
- Cut-out size 95 x 50mm
- Plate dimensions: 116x 72mm
- Plate thickness 8mm



[Click here](#) for more product information

\*By clicking this link you are being taken to an external website.

[Home](#)

## Switches

## Como Single Gang Switch Horizontal



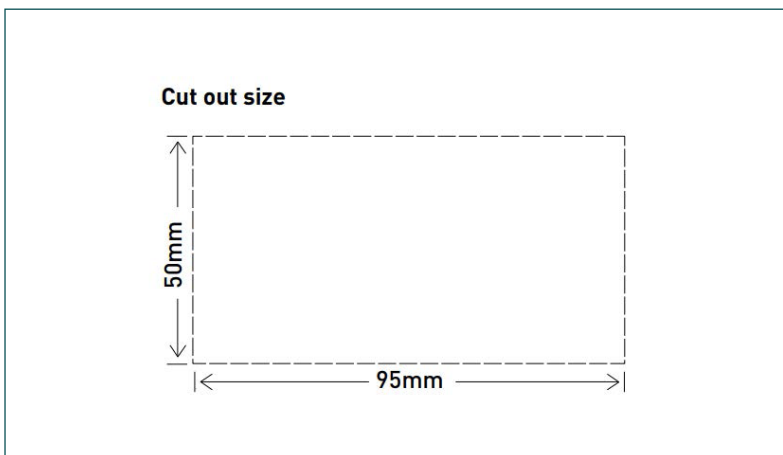
I/No: 4332199 Supplier Code: CM910/1HWE

Product Dimensions: 116.0mm W x 72.0mm H x 8.0mm D Warranty: 1 Year



**Product Features:**

- Como range switch
- Easy to see and use
- Customisable options available on this range
- Smooth switching action
- More fixing options - 4 corners
- Marked with red indicator line
- Cut-out size: 95 x 50mm
- Plate dimensions: 116 x 72mm
- Plate thickness: 8mm
- Horizontal format



[Click here](#) for more product information

\*By clicking this link you are being taken to an external website.

[Home](#)

## Switches

## Como Double Gang Switch Horizontal White



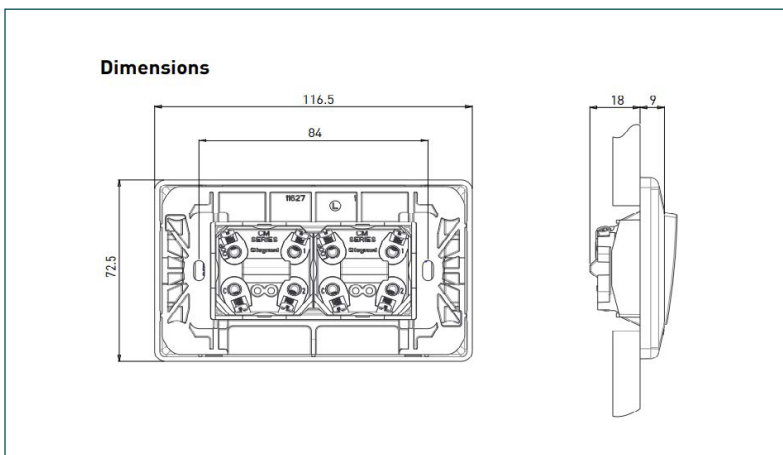
I/No: 4332200 Supplier Code: CM920/2HWE

Product Dimensions: 116.0mm W x 72.0mm H x 8.0mm D Warranty: 1 Year



### Product Features:

- Como range switch
- Easy to see and use
- Customisable options available on this range
- Smooth switching action
- More fixing options - 4 corners
- Marked with red indicator line
- Cut-out Size: 95 x 50mm
- Plate dimensions: 116 x 72mm
- Plate thickness: 8mm
- Horizontal format



[Click here](#) for more product information

\*By clicking this link you are being taken to an external website.

[Home](#)

## Switches

## Como Switch &amp; Trailing Edge Dimmer



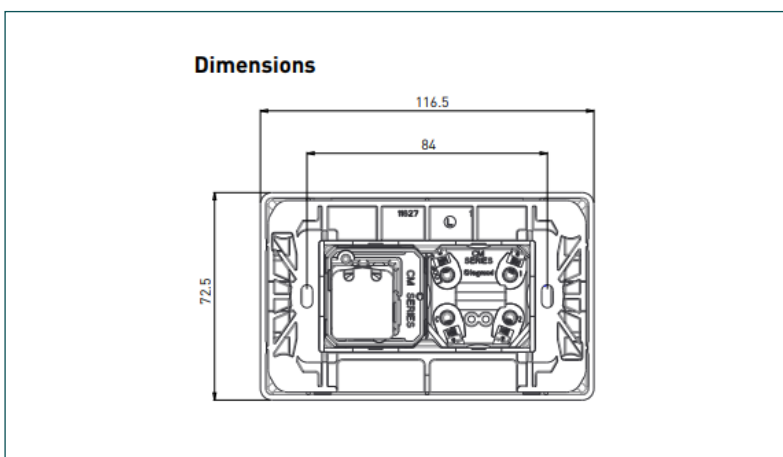
I/No: 0043389 Supplier Code: CM400THWE

Product Dimensions: 116.5mm W x 72.5MM x 9mm D Warranty: 1 Year



#### Product Features:

- Quiet dimming operation
- Soft start - turns lamps on gradually to prolong lamp life
- Automatically dims lamp if the dimmer is overloaded or insufficiently de-rated
- Easy grip knob



[Click here](#) for more product information

\*By clicking this link you are being taken to an external website.

[Home](#)

## Lighting

## Alina Recessed 90mm Downlight LED Tricolour



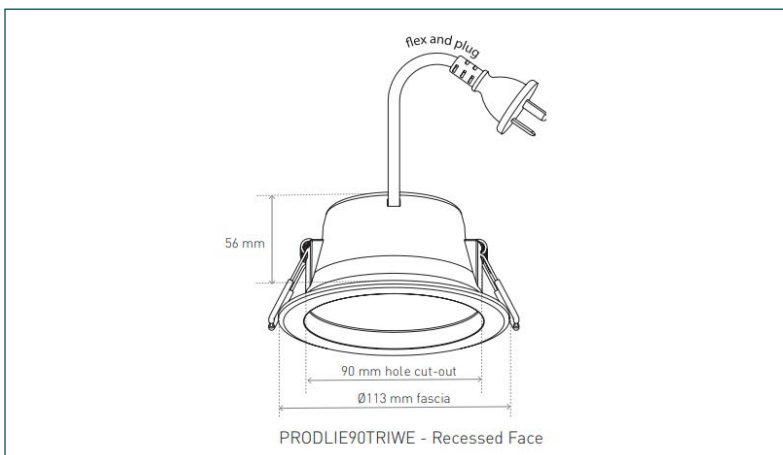
I/No: 0465345 Supplier Code: DLIE90TRIWE

Product Dimensions: 90mm Diameter Warranty: 5 Year



### Product Features:

- Light colour selector: Easily switch between warm (3,000k), cool (4,000k), and natural (5,000k) light colour temperatures
- Suitable for low ceiling cavities
- High-quality flame-retardant plastic construction
- Integral dimmable driver compatible with most quality dimmers
- IP44 rating suitable for outdoor undercover areas
- 2,500 V electrical surge protection



[Click here](#) for more product information

\*By clicking this link you are being taken to an external website.

[Home](#)

## Inline Exhaust Fans

### Inline Exhaust Fan Kit



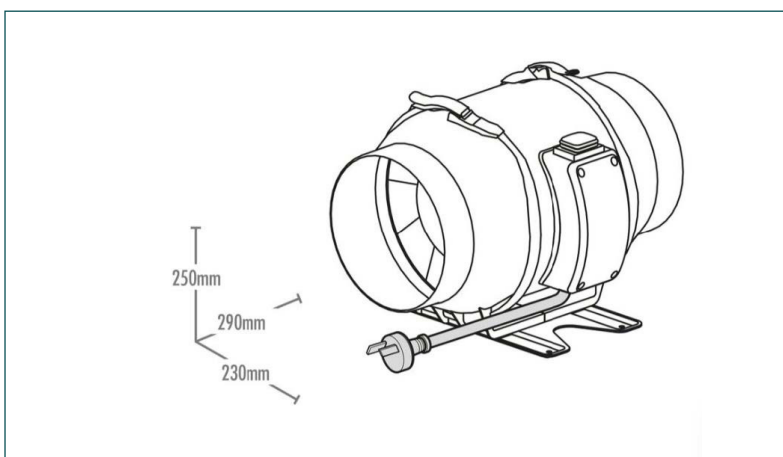
**I/No:** 0246590 **Supplier Code:** DIEF150

**Product Dimensions:** 150mm Diameter **Warranty:** 5 Year



**Product Features:**

- 2 Speed switch
- Ideal use for air extraction and air transfer
- Easy plug-in connection
- Strong air extraction up to 555m<sup>3</sup>/h
- Fan includes flex and plugs



[Click here](#) for more product information

\*By clicking this link you are being taken to an external website.

[Home](#)

## Inline Exhaust Fans

### Inline Exhaust Fan Kit



**I/No:** 4420560 **Supplier Code:** EFIL150SQWE

**Product Dimensions:** 150mm Diameter **Warranty:** 5 Year



#### Product Features:

- 150mm Inline exhaust fan kit
- Ideal use for air extraction and air transfer
- Plug-in connection with 2 speed switch
- Voltage: 230-240v a.c. 50Hz power rating: 60W
- IP rating: IP55
- Draught stopper: Yes (PET Sheet)
- Air extraction: 555m<sup>2</sup>/h max
- Duct diameter: 150mm

[Click here](#) for more product information

\*By clicking this link you are being taken to an external website.

[Home](#)

# ASSISTIVE TECHNOLOGY

**Introduction**

**Home Automation  
And Emergency  
Power Solutions**

## Introduction

While not a requirement for Robust builds, assistive technology provides added safety and security for all occupants\*.

\*The NDIS SDA Design Standard (SDA) must be consulted with respect to design and compliance requirements. The products presented in this catalogue also rely on correct installation to meet the requirements of AS1428.

## Home Automation and Emergency Power Solutions

### Smart Home Assistive Technology Onsite Overnight Kit



**I/No:** 0676209 **Supplier Code:** SDA-00A-KIT

**Product Dimensions:** 660mm W x 675mm H x 510mm D **Warranty:** 10 Years Design Life



#### Product Features:

- Wall-mount rack-to-house equipment
- Cloud managed networking (router, POE Switch, Wi-Fi 6 Access Point)
- Patch cables and accessories
- Desktop phone
- Calling plan
- 24/7 Phone/email support
- 5 Year battery warranty

## Home Automation and Emergency Power Solutions

### Uninterruptible Power Supply UPS



I/No: 0676206 Supplier Code: SDA-UPS-1

Product Dimensions: 425mm D x 320mm H x 190mm W Warranty: 10 Years Design Life



**Product Features:**

- Small form factor
- UPS Bypass switch for easy access
- Standard 10-amp power circuit
- 2-Hour run time @ 200 watts demand
- Line interactive for silent operation
- 5 Year battery warranty

# KITCHEN AND LAUNDRY

**Introduction**

**Tapware**

**Sinks**

**Appliances**

## Introduction

**The SDA Design Standard specifies the following requirements for Kitchens and Laundries in Robust builds\*:**

- Kitchen with a fixed cooktop with a rangehood, an in-built oven, a sink with tap and standard or drawer-style dishwasher
- D-pull cupboard handles located towards the top of below-bench cupboards and towards the bottom of overhead cupboards
- Kitchen benchtop and cabinetry to be made of robust materials
- Laundry with a sink or tub with taps

\*The NDIS SDA Design Standard (SDA) must be consulted with respect to design and compliance requirements. The products presented in this catalogue also rely on correct installation to meet the requirements of AS1428.

## Tapware

### Care Robust Sink/Basin Mixer



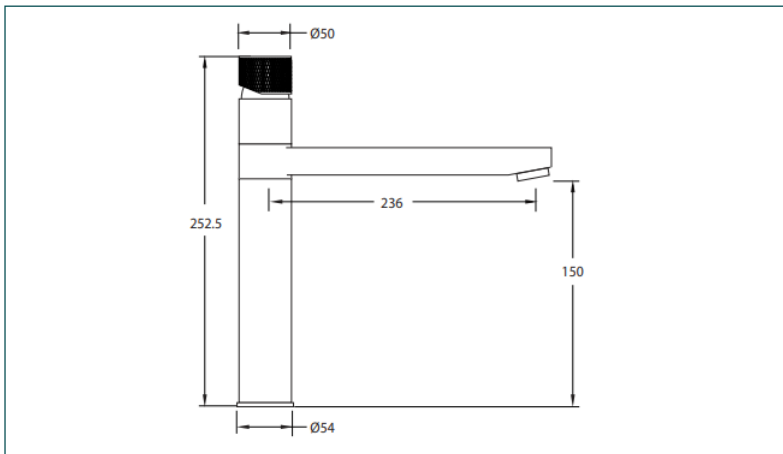
**I/No:** 0666112 **Supplier Code:** ALS-RBSM

**Product Dimensions:** 45mm W x 257mm D x 247mm H **Warranty:** 7 Years



#### Product Features:

- Easy grip low-profile knurled handle
- Progressive cartridge technology
- Accurate temperature and flow control in one simple rotation
- 4 Star Wels 7.5 Litres per minute



<b>0666112</b>	Sink/Basin Mixer Chrome
<b>1028586</b>	Sink/Basin Mixer - Brushed Nickel

[Click here](#) for more product information

\*By clicking this link you are being taken to an external website.

[Home](#)

## Tapware

### Anti-Vandal Sink Mixer



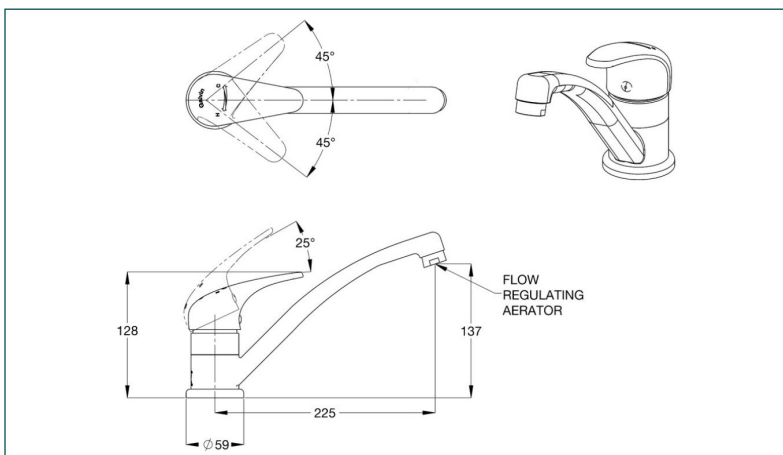
**I/No:** 0698173 **Supplier Code:** TM-SNKX

**Product Dimensions:** 145mm H x 53.5mm Diameter **Warranty:** 5 Years



#### Product Features:

- 304 Stainless steel construction
- Ergonomic design
- WELS: 6 Star rating (4.0L/min) or 5 Star rating (6.0L/min)
- Nominal flow rate (lom): 3.80 or 5.88
- WaterMark: AS/NZS 3718 Lic. WM-021226
- Headwork: 40mm ceramic cartridge
- Working pressure range (kPa): 50Min- 500Max



Sinks

Tiva 420 Single Kitchen Sink Top or Undermount

fienza

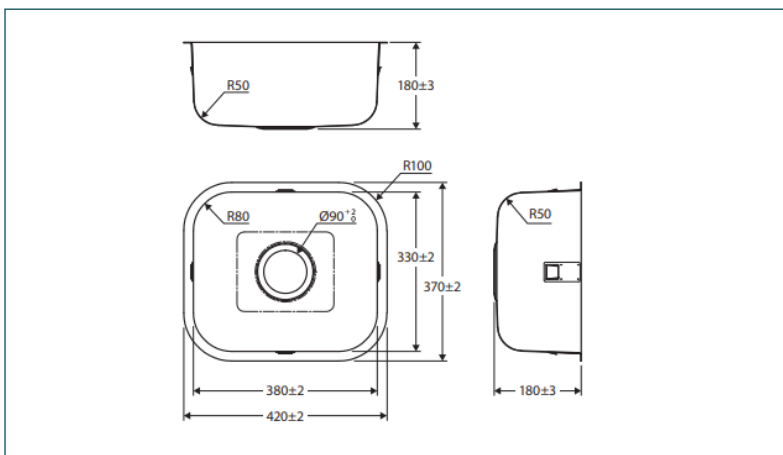
I/No: 1057566 Supplier Code: 68102

Product Dimensions: 420mm W x 370mm H x 180mm D Warranty: 25 Years



Product Features:

- Designed for smaller kitchens and outdoor living areas
- Made from polished, 304 grade stainless steel
- Basket waste included (A3)
- Topmount or undermount installation
- Sealing tape and mounting clips included



[Click here](#) for more product information

\*By clicking this link you are being taken to an external website.

Home

## Sinks

### Tiva 780 Single Sink with Drainer

fienza

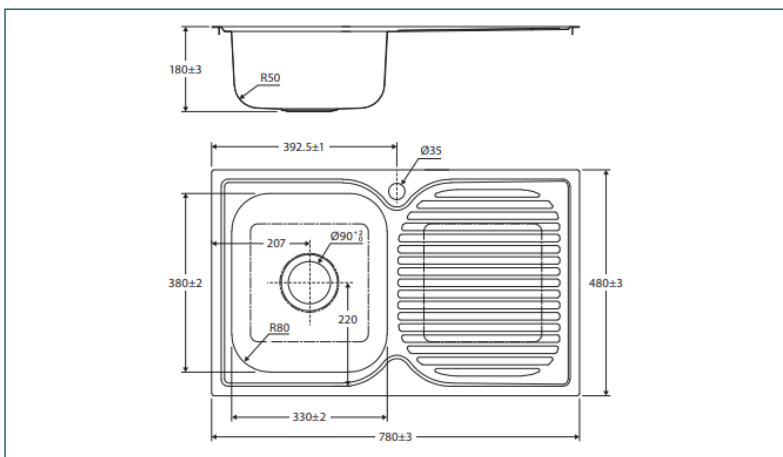
I/No: 0545245 Supplier Code: 68104L

Product Dimensions: 780mm W x 480mm H x 180mm D Warranty: 25 Years



#### Product Features:

- Designed for smaller kitchens
- Made from polished, 304 grade stainless steel
- 1 tap hole as standard
- Basket waste included (A3)
- Topmount installation
- Sealing tape and mounting clips included



0545245	Left Hand Bowl
0545249	Right Hand Bowl

[Click here](#) for more product information

\*By clicking this link you are being taken to an external website.

[Home](#)

## Sinks

### Tiva 1080 1.75 Kitchen Sink with Drainer

fienza

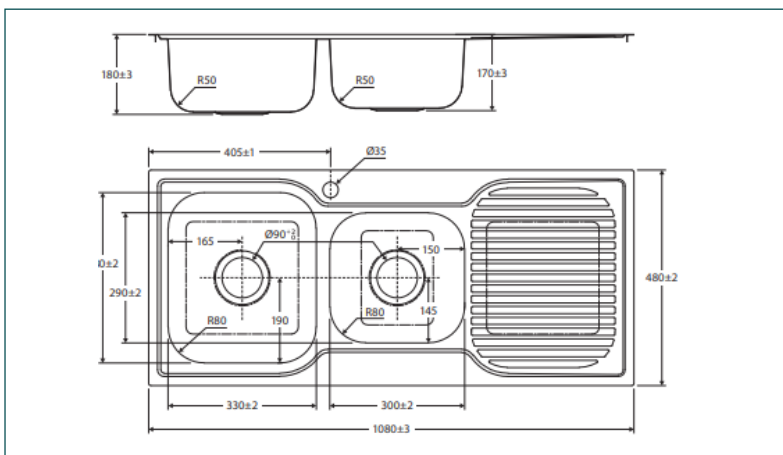
I/No: 0545243 Supplier Code: 68106L

Product Dimensions: 1080mm W x 480mm H x 180mm D Warranty: 25 Years



#### Product Features:

- All in-one solution with two bowls and drainer
- Made from polished 304 grade stainless steel
- 1 Tap hole as standard
- Basket wastes included (2x3)
- Topmount installation
- Sealing tape and mounting clips included



0545243	Left Hand Bowl
0545250	Right Hand Bowl

[Click here](#) for more product information

\*By clicking this link you are being taken to an external website.

[Home](#)

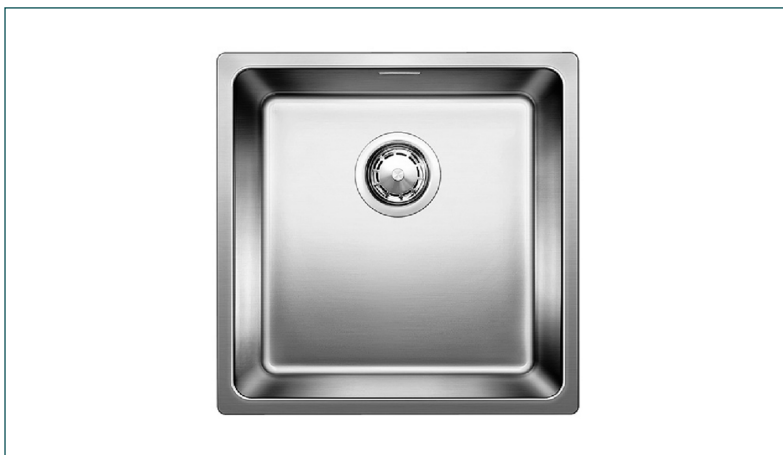
Sinks

# Adano 60cm Undermount Sink with Overflow

**BLANCO**

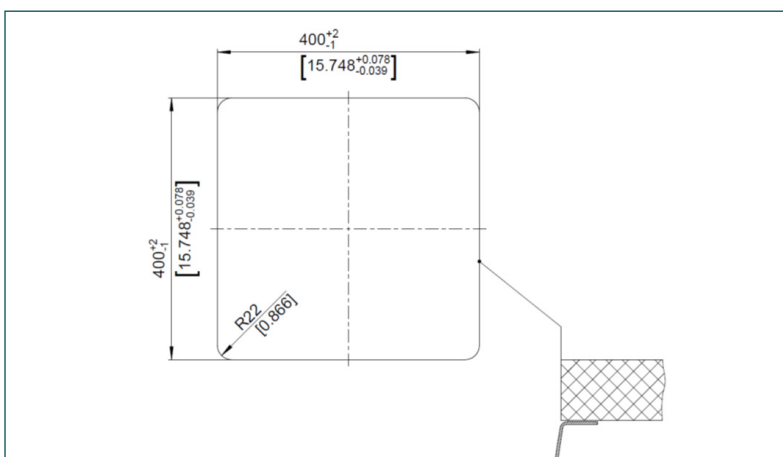
I/No: 5090322 Supplier Code: ANDANO400UK5

Product Dimensions: 440mm W x 440mm H x 190mm D Warranty: 5 Years



**Product Features:**

- Balanced composition of optical and functional elements
- High quality features consisting of a covered C-overflow and InFino drain system
- Large bowl capacity and fully utilisable base



[Click here for more product information](#)

\*By clicking this link you are being taken to an external website.

[Home](#)

Appliances

# 60cm Electric Side Opening Oven with Reversible Door

 euroappliances

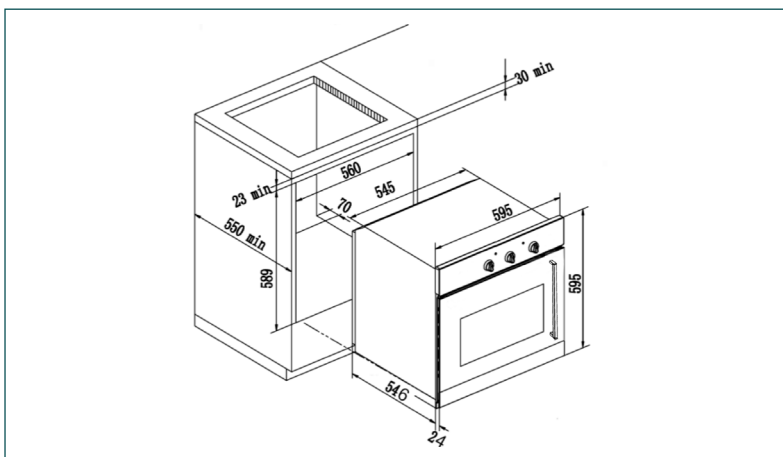
I/No: 0267001 Supplier Code: EO60SOSX

Product Dimensions: 595mm W x 595mm H x 546mm D Warranty: 3 Years



**Product Features:**

- 8 multifunction's
- 67Lt gross - 64lt net capacity
- 120-minute cut-off timer
- Reversible door
- 1 telescopic runner
- Cavity cooler system
- Triple glazed door
- Stylish black and stainless-steel finish



0267001	Stainless Steel
0822768	Black

[Click here](#) for more product information

\*By clicking this link you are being taken to an external website.

 Home

## Appliances

### 60cm Electric Multifunction Oven

**euro** appliances

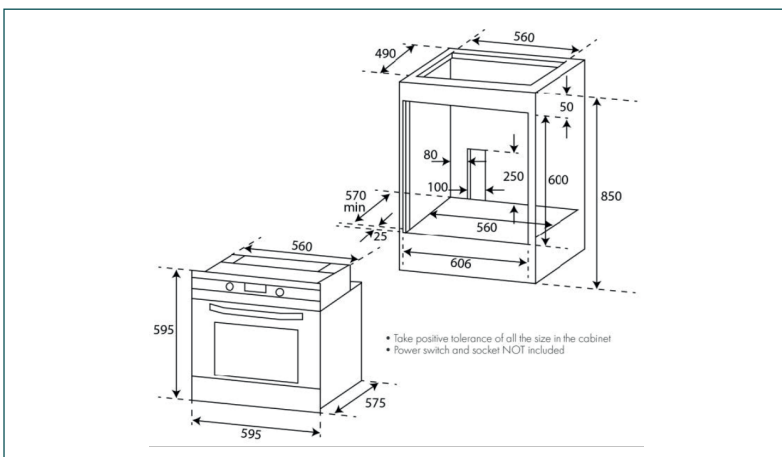
**I/No:** 0242013 **Supplier Code:** EO608SX

**Product Dimensions:** 595mm W x 595mm H x 575mm D **Warranty:** 3 Years



#### Product Features:

- 9 multifunction's
- Contained cavity cooling with tangential cooling fan
- Triple glazed removable inner glass
- Removable rack support
- Telescopic runner
- 2\* oven shelves & 1 backing tray
- Stainless steel trim, black finish



[Click here](#) for more product information

\*By clicking this link you are being taken to an external website.

[Home](#)

## Appliances

### 60cm Ceran Electric Cooktop

**euro** appliances

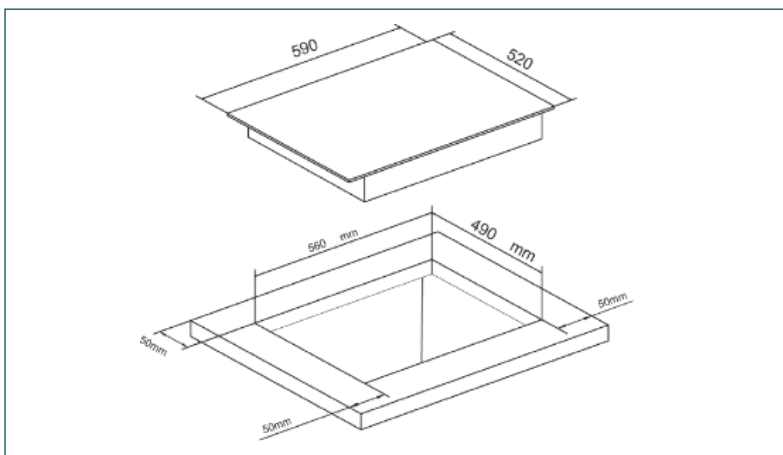
**I/No:** 0378995 **Supplier Code:** ECT600CB

**Product Dimensions:** 590mm W x 520mm D **Warranty:** 3 Years



#### Product Features:

- Smooth Ceran glass electric cooktop
- 4 rapid burner elements
- Side knob controls
- Total rated load 6.0kw
- Variable temperature control
- Residual heat indicator
- Square edge design



[Click here](#) for more product information

\*By clicking this link you are being taken to an external website.

[Home](#)

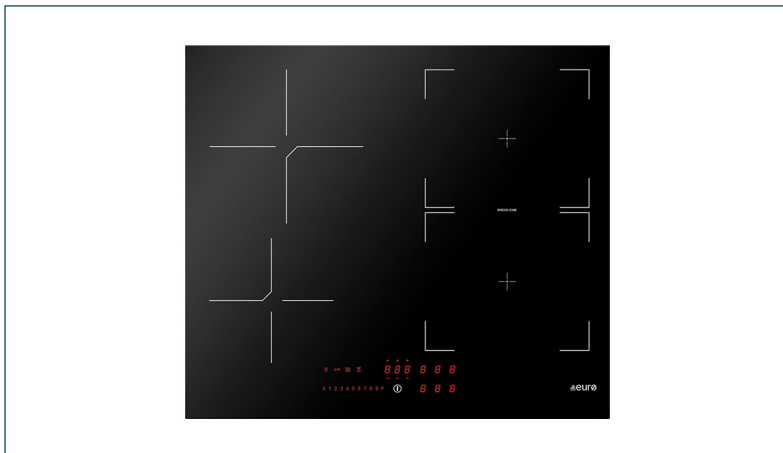
## Appliances

### 60cm Induction Cooktop

euroappliances

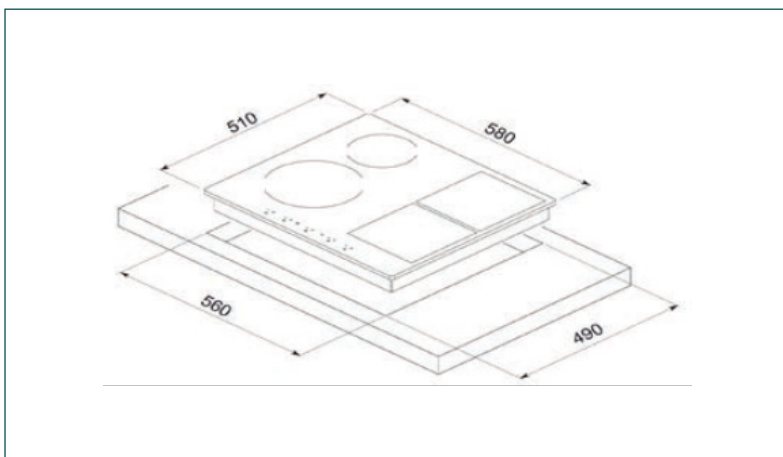
**I/No:** 0266943 **Supplier Code:** E60IDB

**Product Dimensions:** 580mm W x 510mm D **Warranty:** 3 Years



#### Product Features:

- Easy clean ceran glass
- 4 cooking zones including large central zone
- Front sensor touch operation control
- Total rated load: 7.4kw
- Over temperature safety device
- Overflow protection
- Flexi dual zone with bridge function
- Auto shutdown protection
- 9 heating levels with residual heat indicator



[Click here](#) for more product information

\*By clicking this link you are being taken to an external website.

 Home

## Appliances

### 52cm Undermount Rangehood

**euro**appliances

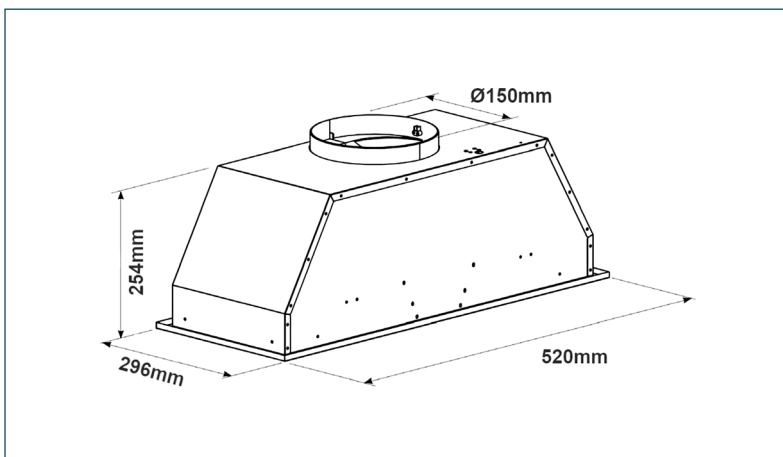
**I/No:** 0349734 **Supplier Code:** EP52UMS2

**Product Dimensions:** 520mm W x 254mm H x 296mm D **Warranty:** 3 Years



#### Product Features:

- Stainless steel finish
- 3 speed motor, 500m<sup>3</sup>/hr extraction capacity
- 2 x 1.5W LED lights
- Undermount non-visible rangehood
- Under push button control
- Dishwasher safe carbon filter: CF110 (requires 2)
- Decibel rating 48-59 dbA
- 150mm flue diameter



[Click here](#) for more product information

\*By clicking this link you are being taken to an external website.

[Home](#)

Appliances

# 60cm Freestanding Dishwasher 12-Place Setting

euroappliances

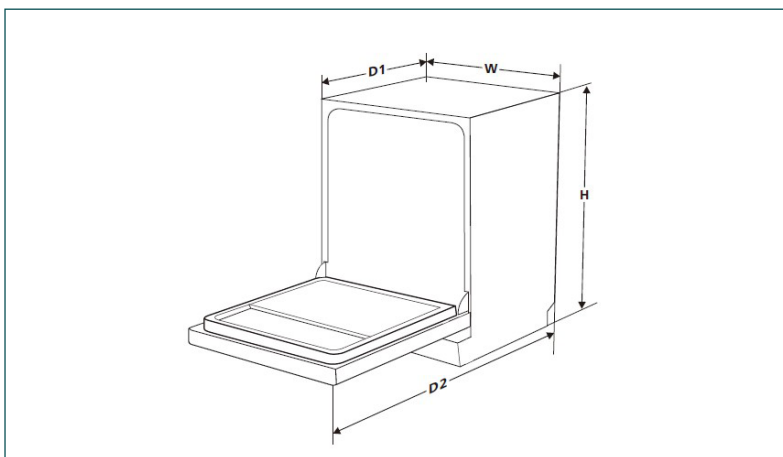
I/No: 0132874 Supplier Code: EDV604SS

Product Dimensions: 598mm W x 845mm H x 600mm D Warranty: 3 Years



**Product Features:**

- Stainless steel finish and slim panel design
- 12 place setting and height adjustable top basket
- 4 wash programs and extra dry function
- Concealed heating element
- Removable top cover
- Water consumption 10.2Lt Decibel rating 49dBA
- 3 star energy rating
- 4.5 star water rating



[Click here](#) for more product information

\*By clicking this link you are being taken to an external website.

 Home

Appliances

# 60cm Freestanding Dishwasher 14-Place Setting

 euroappliances

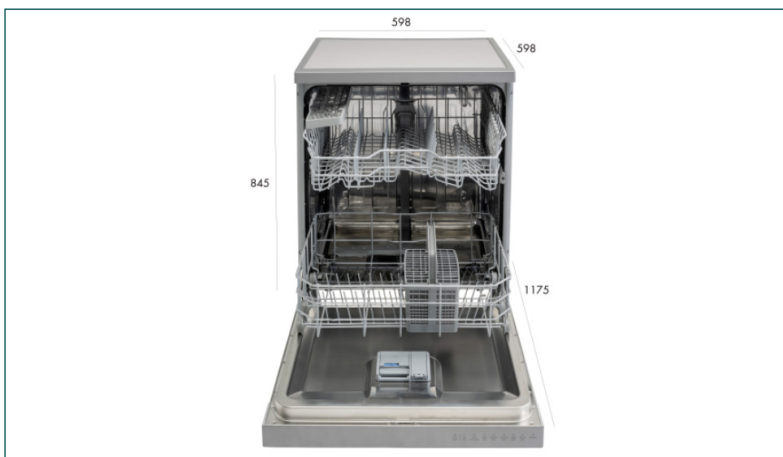
I/No: 0183052 Supplier Code: ED614SX

Product Dimensions: 598mm W x 845mm H x 600mm D Warranty: 3 Years



**Product Features:**

- Sleek stainless steel or black freestanding dishwasher
- A generous 14 place setting capacity and 6 wash programs to accommodate your dishwashing needs
- Adjustable top basket for flexibility in customising the interior to fit your items
- Equipped with child safety lock for additional peace of mind
- Concealed heating element for maximum functionality
- 3 star energy rating, 4.5 star water rating



[Click here](#) for more product information

\*By clicking this link you are being taken to an external website.

 Home

Appliances

# 60cm 5 Function Side-opening Oven Right Hand Side



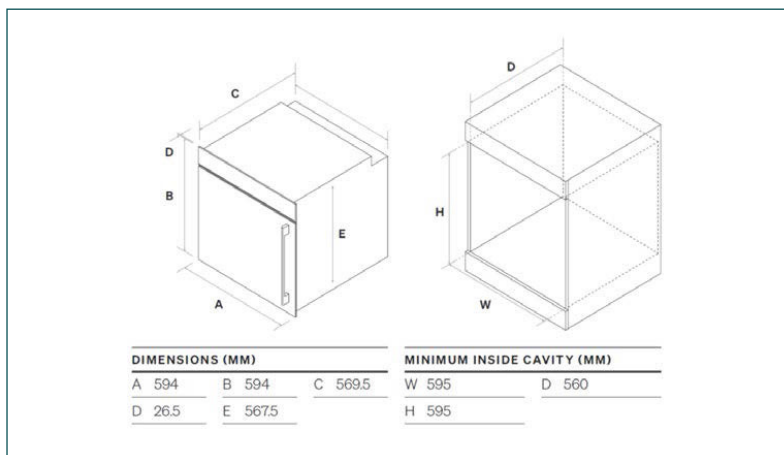
I/No: 0698993 Supplier Code: OBOS605MR

Product Dimensions: 594mm W x 569.5mm D x 594mm H Warranty: 5 Years



**Product Features:**

- 5 Functions
- 75L Gross Oven capacity
- Plastic ergonomic easy grip knobs and fluted steel knobs
- 180° Side-opening door with right-hand side hinges
- Telescopic runners
- Minute Minder Timer
- Black Glass with midnight trim
- Black tinted triple glazed door
- Cavity cooling system



[Click here for more product information](#)

\*By clicking this link you are being taken to an external website.

[Home](#)

Appliances

# 60cm 5 Function Side-opening Oven Left Hand Side



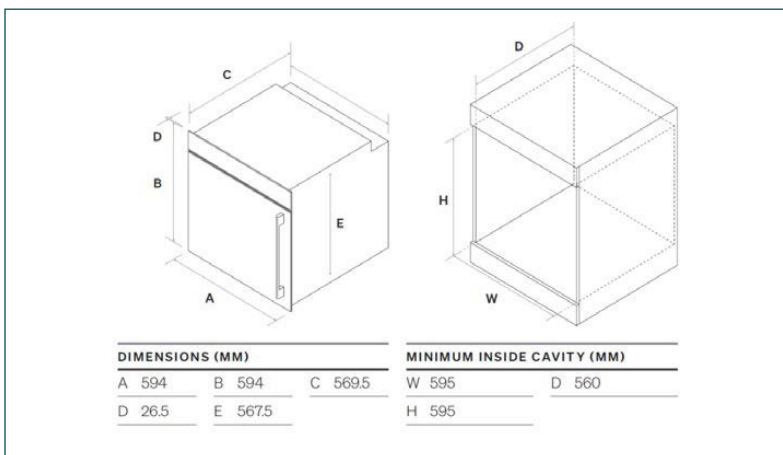
I/No: 0698988 Supplier Code: OBOS605ML

Product Dimensions: 594mm W x 569.5mm D x 594mm H Warranty: 5 Years



**Product Features:**

- 5 Functions
- 75L Gross Oven capacity
- Plastic ergonomic easy grip knobs and fluted steel knobs
- 180° Side-opening door with right-hand side hinges
- Telescopic runners
- Minute Minder Timer
- Black Glass with midnight trim
- Black tinted triple glazed door
- Cavity cooling system



[Click here for more product information](#)

\*By clicking this link you are being taken to an external website.

[Home](#)

Appliances

60cm 5 Function Oven



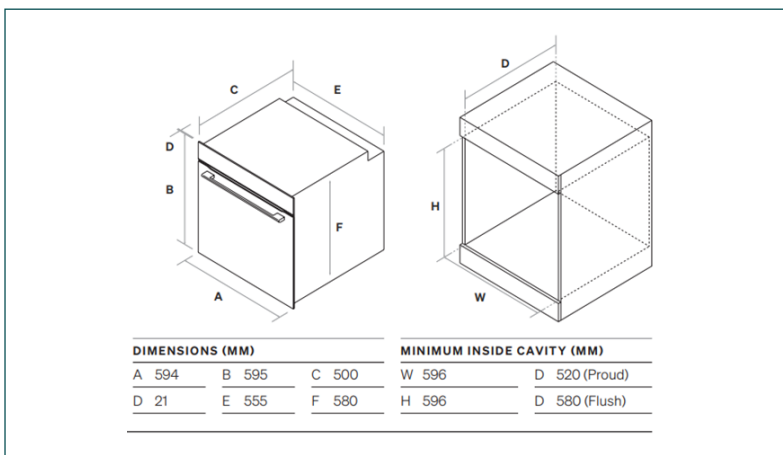
I/No: 0987388 Supplier Code: OBO605MCOM

Product Dimensions: 594mm W x 500mm D x 595mm H Warranty: 5 Years



Product Features:

- 5 Functions
- 85L Gross oven capacity
- Midnight fluted steel knob controls
- Minute minder timer
- Black glass with Midnight Aluminium trim
- Black crystal clean enamel interior
- Cavity cooling system
- 5 x Shelf positions
- 10 Amp plug



[Click here](#) for more product information

\*By clicking this link you are being taken to an external website.

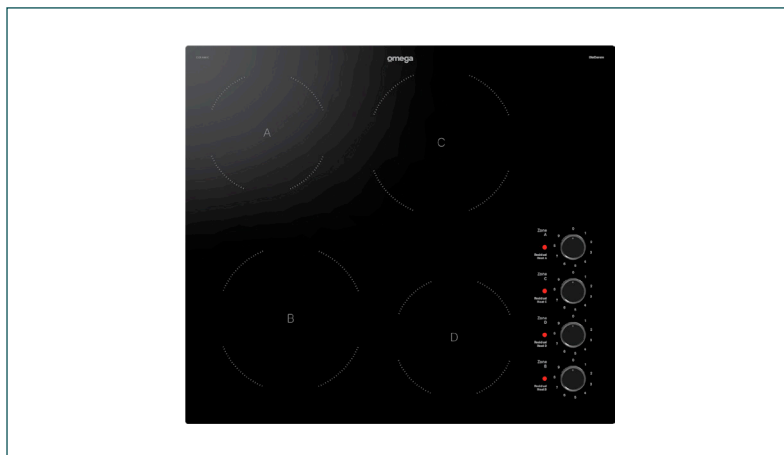
Appliances

# 60cm Ceramic Cooktop with Knob Controls



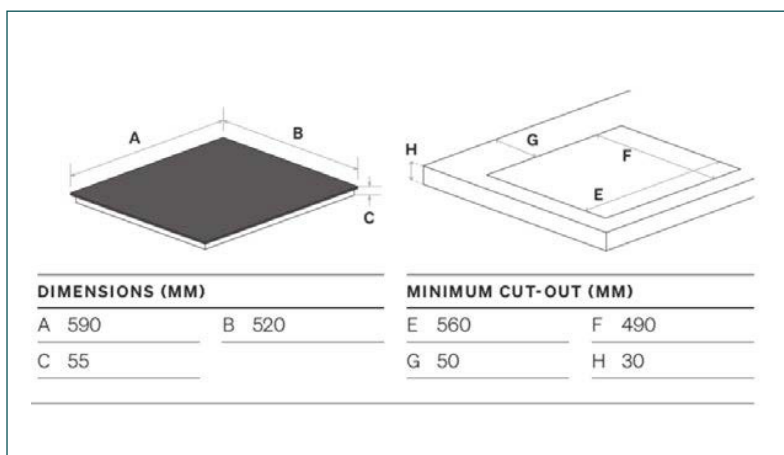
I/No: 0698991 Supplier Code: OCC604KCOM

Product Dimensions: 590mm W x 520mm D x 55mm H Warranty: 5 Years



**Product Features:**

- 4 Ceramic cooking zones
- 9 Power levels
- Durable DiaCeram® Ceramic Glass
- Single piece of glass
- Automatic safety shut off
- Child safety lock
- Midnight fluted steel control knobs



[Click here](#) for more product information

\*By clicking this link you are being taken to an external website.

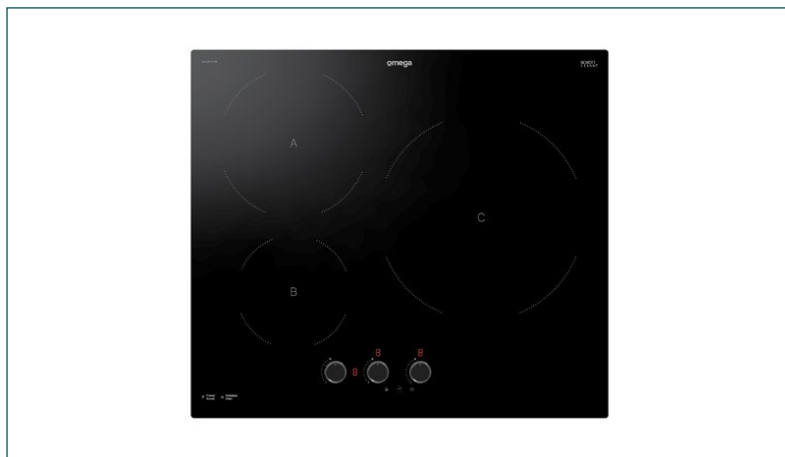
Appliances

# 60cm Induction Cooktop with Knob Controls



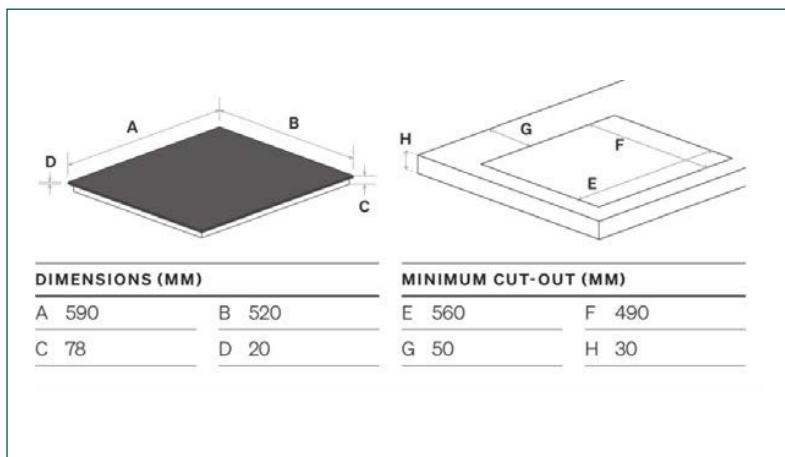
I/No: 0698989 Supplier Code: OCI603KZCOM

Product Dimensions: 590mm W x 520mm D x 62mm H Warranty: 5 Years



**Product Features:**

- 3 cooking zones; 9 power levels
- Durable EuroKera® Ceramic Glass - single piece
- Residual heat indicator
- 120 minute auto safety shut off
- Easy grip fluted steel control knobs
- 99 Minute zone timer
- Automatic pan detection



[Click here for more product information](#)

\*By clicking this link you are being taken to an external website.

Appliances

52cm Undermount Rangehood



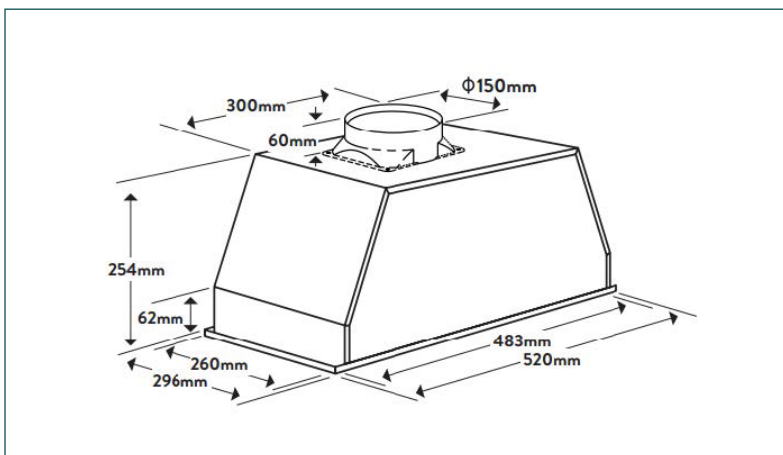
I/No: 0638608 Supplier Code: ORU50PXL

Product Dimensions: 254mm H x 520mm W x 296mm D Warranty: 3 Years



Product Features:

- Streamlined buttonless design
- 52cm undermount
- 3 x speed settings
- Stainless steel finish
- Aluminium mesh filter



[Click here](#) for more product information

\*By clicking this link you are being taken to an external website.

Appliances

60cm Freestanding Dishwasher



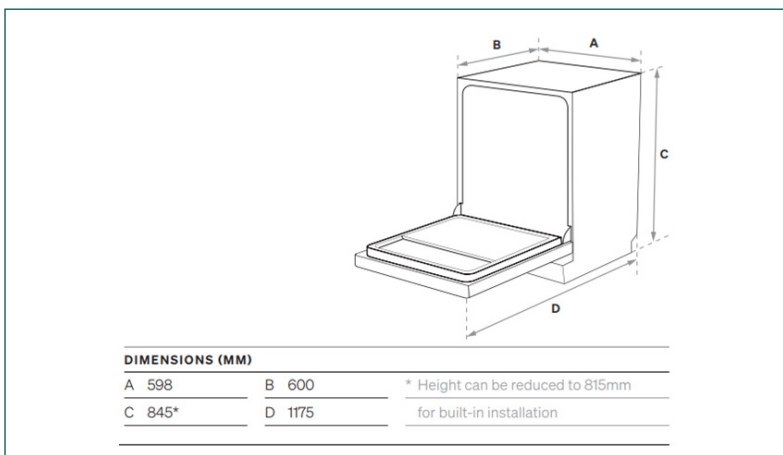
I/No: 0804426 Supplier Code: ODWF6015XCOM

Product Dimensions: 845mm H x 598mm W x 600mm D Warranty: 5 Years



Product Features:

- Stainless steel finish
- 15 Place setting capacity
- Auto open drying
- 8 Wash programs including Auto wash
- Touch controls with LED display
- Lift-up height adjustable basket, slide-out cutlery tray
- Half zone, extra clean, express wash, 24H delay start
- MEPS: 4 / WELS: 5 Stars



[Click here](#) for more product information

\*By clicking this link you are being taken to an external website.

# BATHROOM

**Introduction**

**Toilets**

**Shower Tapware**

**Basins**

**Basin Tapware**

**Bathroom Accessories**

[Home](#)

## Introduction

The SDA Design Standard specifies the following requirements for Bathrooms in Robust builds\*:

- Use of high impact/vandal proof fittings and fixtures
- Inclusion of a toilet, a shower and a hand wash basin

## Toilets

### Anti Ligature Solid Surface Floor Mount Toilet with Cistern & Buttons



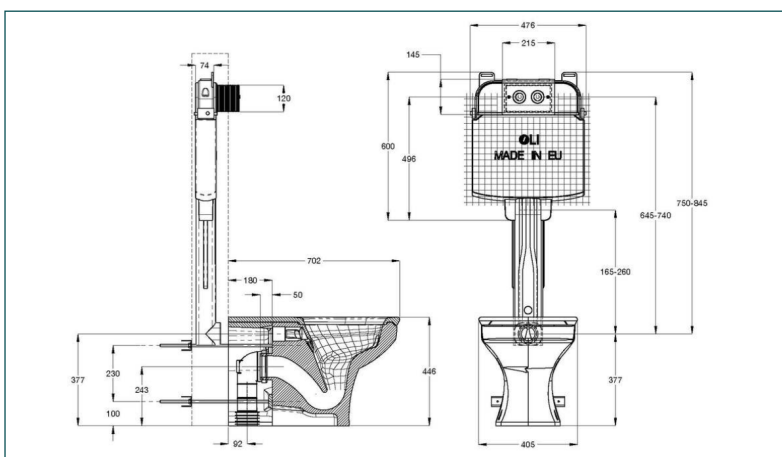
I/No: 0698134 Supplier Code: CWC-155FF-STJ-AU

Product Dimensions: 446mm H x 702mm D x 405mm W Warranty: 5 Years



#### Product Features:

- Anti-ligature design to reduce the potential for self harm (except when used with a hinged seat)
- Highly robust which prevents breakages
- Shrouded waste (S and P trap compatible)
- Concealed through-wall services and fixings
- Dual flush in-wall cistern
- Dual flush plate with vandal resistant robust design



<b>0698134</b>	Solid Surface Floor Mount Toilet
<b>1030436</b>	Concealed Dual Flush Cistern
<b>0691842</b>	Cistern Flush Plate 656507

**Toilets**

**Anti Ligature/Anti Vandal Toilet Solid Surface - Extra Height**



**I/No:** 0676639 **Supplier Code:** SPPL.SE.TP.F.011

**Product Dimensions:** 400mm W x 510mm D x 480mm H **Warranty:** 1 Year



**Product Features:**

- Constructed from GPR molded High Performance impact resistant material
- Vandal and ligature resistant
- Hygienic non-porous surface
- Concealed rear waste outlet
- Large trap to reduce blockages
- Dual flush cistern has Watermark License and WELS 4 star rating for efficient 4.5l/3L or 6/3L dual flush
- Cistern has Watermark license in accordance with AS1172.2
- High vandal resistant flushing option
- Satin finish stainless steel back plate with stainless steel buttons

<b>0676639</b>	Anti-Ligature/Anti Vandal Toilet - Extra
<b>N/A</b>	Inwall Cistern and Flush Plate

## Toilets

### Care Lucerne Care Robust Floor-Standing Pan with Cistern & Flush plate



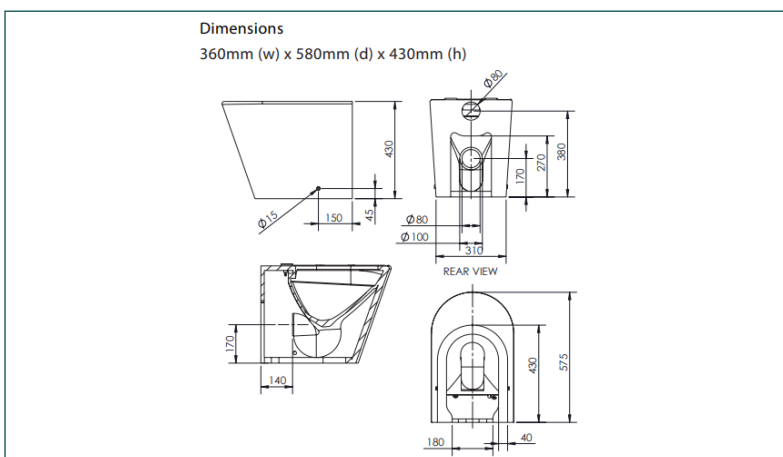
I/No: 1028571 Supplier Code: LT-1003D-R/RB

Product Dimensions: 360mm W x 580mm D x 430mm H Warranty: 15 Years



#### Product Features:

- Rimless, vitreous china pan  
hygienic flush
- S-Trap 115-145mm adjustable with V-070 connector
- P-Trap : 170mm
- Fixing/brackets - floor fixing kit included
- 4 Star WELS rating
- Complete with all connection parts
- Pneumatic operation flush plate in polished chrome or brushed nickel



1028571	Care Lucerne Robust Pan
0666105	Frameless Inwall Cistern
1028575	Flush Button Polished Chrome
1028560	Flush Button - Brushed Nickel

[Click here](#) for more product information

\*By clicking this link you are being taken to an external website.

[Home](#)

## Toilets

### Ambulant Pan Toilet P Trap with In-Wall Cistern & Dual Button Flush Plate



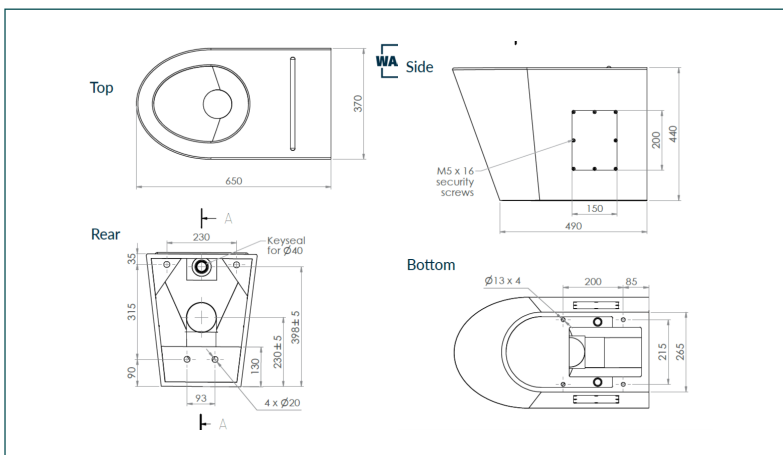
I/No: 0650110 Supplier Code: WC-SSAP

Product Dimensions: 440mm H x 370mm W x 650mm D Warranty: 5 Years



#### Product Features:

- Suitable for ambulant applications
- No ligature points
- Satin Finish
- Concealed fixings
- 2mm 304 grade stainless steel
- In Wall Cistern has one piece tank manufactured from HDPE
- 3 Star WELS
- AS1428 compliant dual flush plate
- Round buttons
- Vandal resistant



0650110	Ambulant Pan Toilet P Trap
N/A	In- Wall Cistern CIS-IWFA
N/A	In Wall Cistern Dual Flush Plate

[Click here for more product information](#)

\*By clicking this link you are being taken to an external website.

[Home](#)

## Toilets

### Ambulant Pan Toilet S Trap with In-Wall Cistern & Dual Button Flush Plate



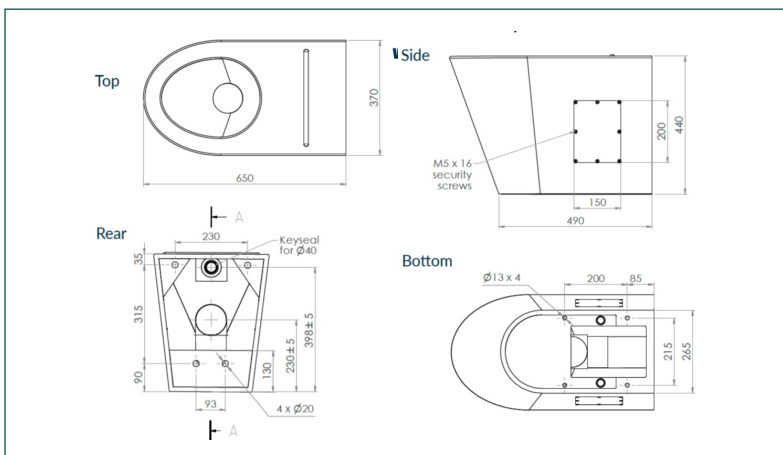
I/No: 0650119 Supplier Code: WC-SSAS

Product Dimensions: 440mm H x 370mm W x 650mm D Warranty: 5 Years



#### Product Features:

- Suitable for ambulant applications
- No ligature points
- Satin Finish
- Concealed fixings
- 2mm 304 grade stainless steel
- In Wall Cistern has one piece tank manufactured from HDPE
- 3 Star WELS
- AS1428 compliant dual flush plate
- Round buttons
- Vandal resistant



0650120	Ambulant Pan Toilet S Trap
N/A	In- Wall Cistern CIS-IWFA
N/A	In Wall Cistern Dual Flush Plate

[Click here for more product information](#)

\*By clicking this link you are being taken to an external website.

## Shower Tapware

### Anti Ligature Shower Set



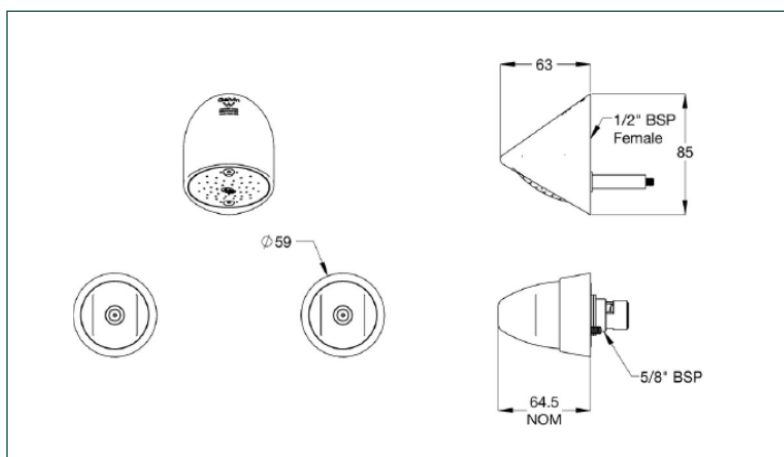
**I/No:** 0698159 **Supplier Code:** 121.51.13.03

**Product Dimensions:** 85mm H x 63mm D x 64.5mm L **Warranty:** 5 Years



#### Product Features:

- Anti-ligature design
- Designed for maximum protection against vandalism
- Constructed from heavy duty components and comes complete with special tamper resistant screws Anti-rotation pin
- Easy grip handles
- Machined Identification button
- Vandal resistant design
- High quality chrome finish for easy cleaning and hygiene maintenance
- Australian Made



**Shower Tapware**

**Care Robust Anti Ligature Shower Outlet**



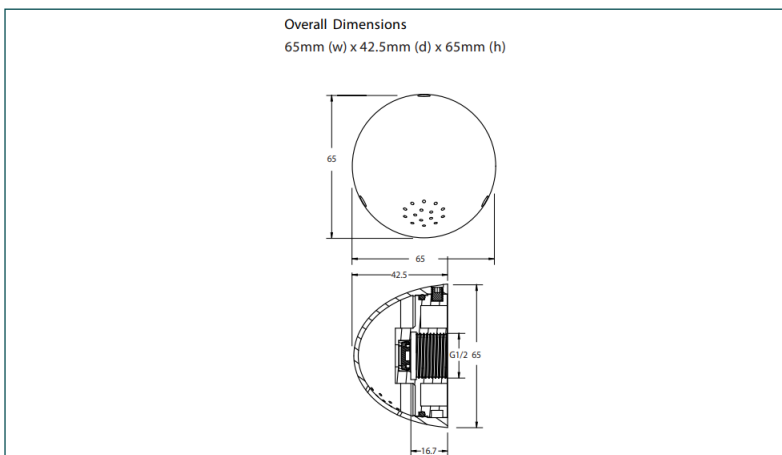
**I/No:** 0666119 **Supplier Code:** PJ-RBSH

**Product Dimensions:** 65mm W x 42.5mm D x 65mm H **Warranty:** 7 Years



**Product Features:**

- Anti-ligature minimalist shower outlet
- Heavyweight solid brass construction
- Stylish chrome plated finish
- Watermark approved



<b>0666119</b>	Shower Outlet - Chrome
<b>1028581</b>	Shower Outlet - Brushed Nickel

[Click here](#) for more product information

\*By clicking this link you are being taken to an external website.

## Shower Tapware

### Care Robust Wall Mixer



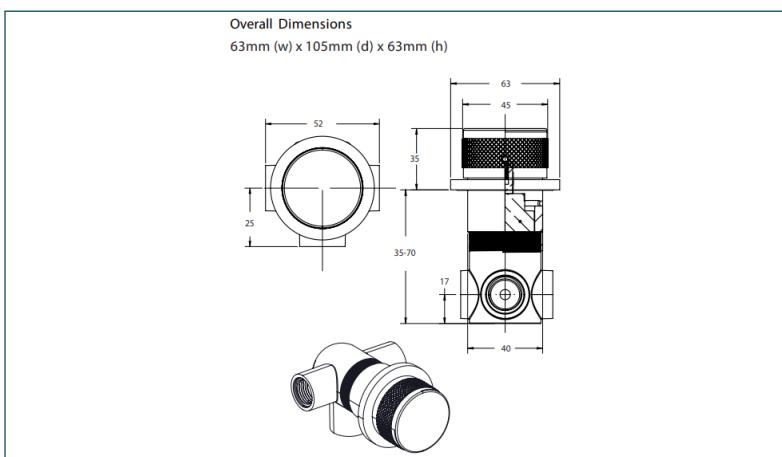
**I/No:** 0666114 **Supplier Code:** PJ-RBWM

**Product Dimensions:** 63mm W x 105mm D x 63mm **Warranty:** 7 Years



#### Product Features:

- Minimalist wall mixer tap
- Heavyweight solid brass construction
- Stylish chrome plated finish
- Knurl handle for better grip
- Water mark approved
- Chrome or Brushed nickel finish



<b>0666114</b>	Robust Wall Mixer - Chrome
<b>1028554</b>	Robust Wall Mixer - Brushed Nickel

[Click here](#) for more product information

\*By clicking this link you are being taken to an external website.

## Shower Tapware

### Anti-Ligature Shower Head Wall Mount Stainless Steel



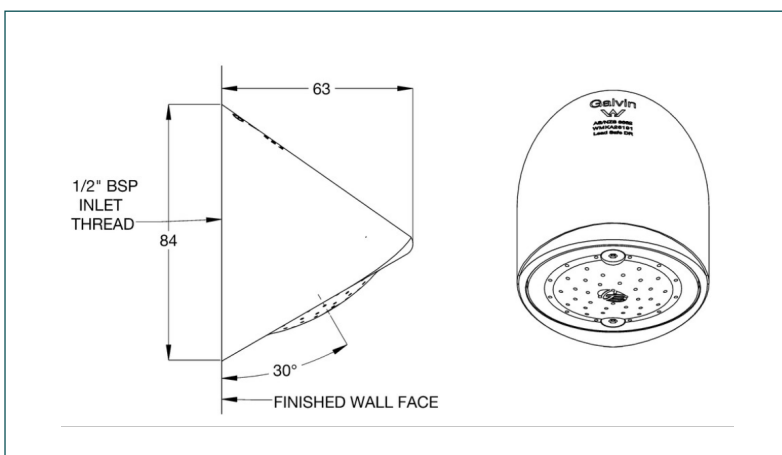
I/No: 0698149 Supplier Code: 121.33.64.00

Product Dimensions: 63mm W x 84mm H Warranty: 5 Years



#### Product Features:

- Anti-ligature (minimises hiding of contraband, suicide and self-harm risk)
- Designed for maximum protection against vandalism
- Constructed from heavy duty components and comes complete with special tamper resistant screws
- Special considerations may be required when used with low water pressure systems and components
- For use with high pressure plumbing systems between 150 & 500kPa
- Chrome plate finish



## Shower Tapware

### Anti-ligature Shower Head Ceiling Mount Stainless Steel



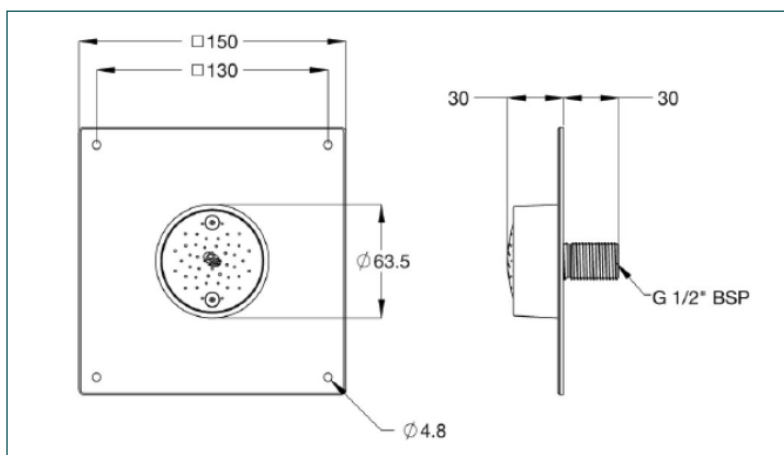
I/No: 0698139 Supplier Code: 121.70.10.00

Product Dimensions: 150mm W x 150mm H Warranty: 5 Years



#### Product Features:

- Anti-ligature features
- Vandal Resistant
- 7LPM constant flow restrictor
- Front fixing
- Minimises hiding of contraband
- Minimises suicide and self-harm risk
- Chrome plate finish for easy cleaning and added durability
- WELS: 4 Star Rating (7L/min)
- Nominal flow rate (LPM): 6.6
- WaterMark: AS/NZS 3662 Lic. WMK26191



## Shower Tapware

### Anti-Ligature Lead Safe Mental Health Paddle Handle WTA C/D Cold & Hot



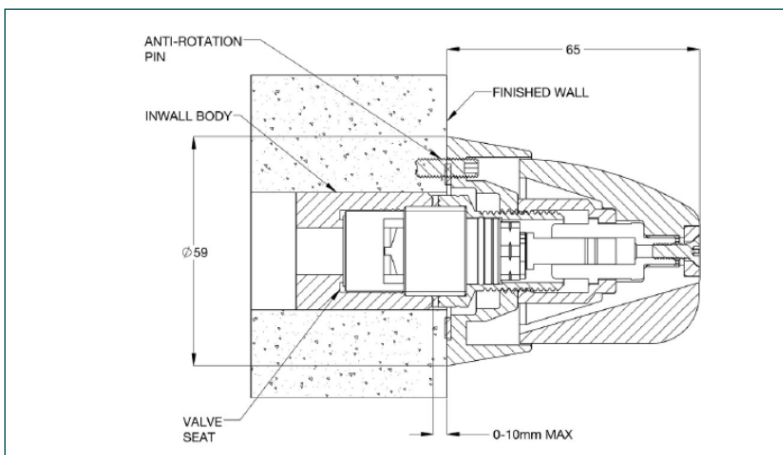
I/No: 1030430 Supplier Code: 120.71.16.01

Product Dimensions: 85mm H x 63mm D x 64.5mm L Warranty: 5 Years



#### Product Features:

- Anti-ligature design
- Anti-rotation pin
- Easy grip handles
- Machined Identification button
- Vandal resistant design
- High quality chrome finish for easy cleaning and hygiene maintenance
- Australian Made



1030430	Mental Health Paddle - Cold
1030432	Mental Health Paddle - Hot.

## Shower Tapware

### Anti-Ligature Floor Grate Assembly 100x100mm



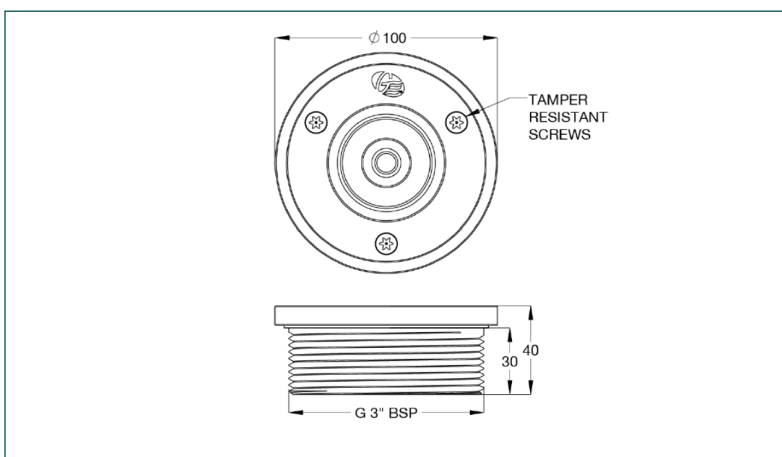
I/No: 0698167 Supplier Code: 303070X

Product Dimensions: 100mm Diameter Warranty: 5 Years



#### Product Features:

- Stainless steel construction
- Tamper resistant screws
- Complies with AS 3996 to Class A
- Unique dual ring design to maximise drainage
- WaterMark: WMTS 040  
Lic. WMK02448



## Basins

### Ligature Resistant Solid Surface Wall Basin



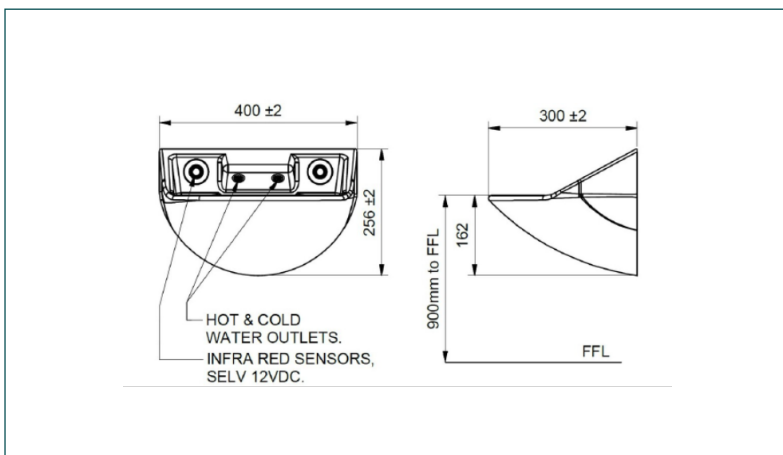
**I/No:** 1030429 **Supplier Code:** WHB-201W-NB-AUS

**Product Dimensions:** 400mm W x 162mm H x 300mm D **Warranty:** 5 Years



#### Product Features:

- Anti-ligature design
- Electronic activation
- Highly robust
- Made as one piece without joins
- Normalises the environment
- Range of control options available
- Concealed through-wall services and fixings
- Assists in the prevention of self-harm
- Hygienic and easily cleaned
- Rear fixed installation



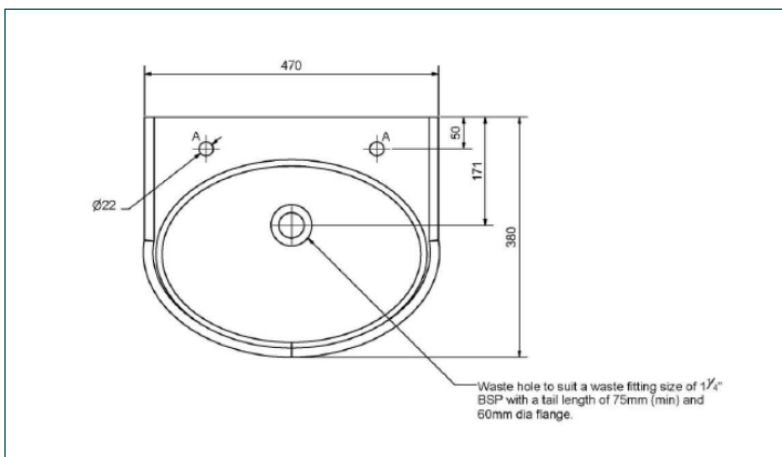
## Basins

### Anti-Ligature Solid Surface Wall Mount Basin



**I/No:** 0698133 **Supplier Code:** SHB-05W-NT

**Product Dimensions:** 470mm W x 380mm D **Warranty:** 5 Years



#### Product Features:

- Robust single piece basin without joins
- Front fixed
- Shroud available to protect services with a wide range of activation and controls available
- Highly polished finish for ease of cleaning
- Easily renewable surface with a gel coat layer
- Available with no tap whole or LH or RH taphole

<b>0698133</b>	No Tap Hole SHB-05W-NT
<b>N/A</b>	RH Tap Hole SHB-05W-RT
<b>N/A</b>	LH Tap Hole SHB-05W-LT

## Basins

### Solid Surface Basin



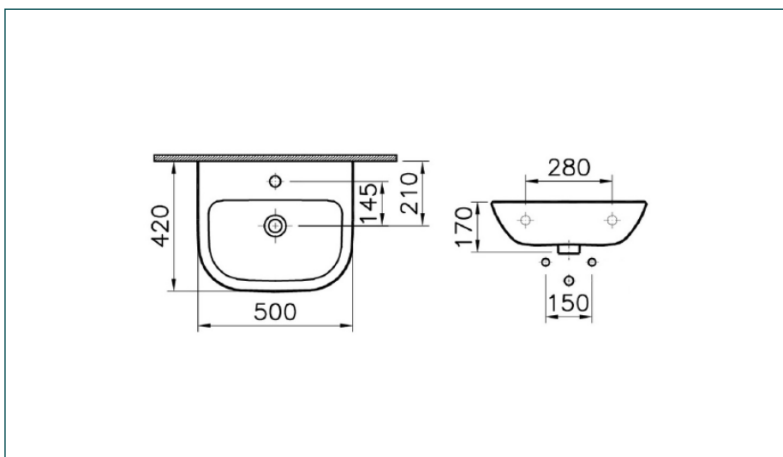
I/No: 1030432 Supplier Code: 106.30.20.03

Product Dimensions: 500mm W x 170mm H x 420mm D Warranty: 3 Years



#### Product Features:

- 1 Taphole
- No Overflow
- Vitreous China
- Note: Accessories not included



## Basins

### Care Robust Wall Basin



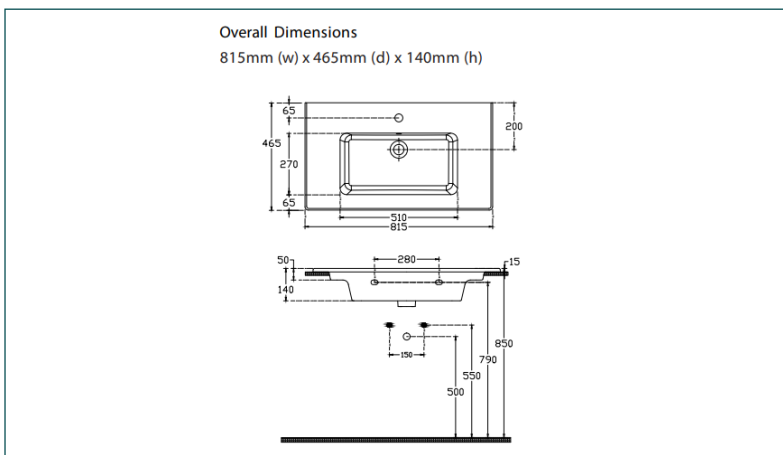
**I/No:** 1028565 **Supplier Code:** PJ-R10SL51081

**Product Dimensions:** 815mm W x 465mm D x 140mm H **Warranty:** 5 Years



#### Product Features:

- One tap hole
- Plug and waste not included
- Overflow supplied standard



[Click here](#) for more product information

\*By clicking this link you are being taken to an external website.

## Basins

### Disabled Compliant Hand Basin - Round



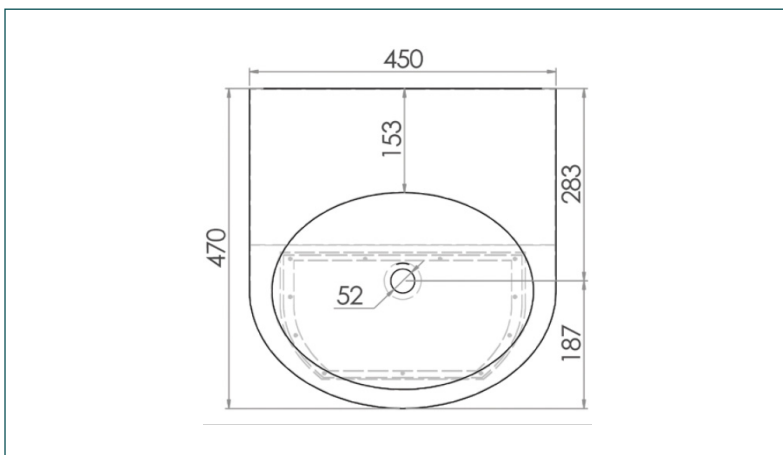
I/No: 0650118 Supplier Code: HBD-R

Product Dimensions: 450mm W x 400m H x 470mm D Warranty: 5 Years



#### Product Features:

- AS1428 compliant
- 9 litre capacity
- Constructed from 1.2m 304 grade stainless steel
- Satin finish
- 40mm outlet – Suits PW40 & SSBW-40
- Access panel with vandal resistant screws
- Concealed plumbing and trap
- Suits compact P trap installation
- Left, right or centre tap holes on request



[Click here](#) for more product information

\*By clicking this link you are being taken to an external website.

[Home](#)

## Basin Tapware

### Robust Basin Mixer



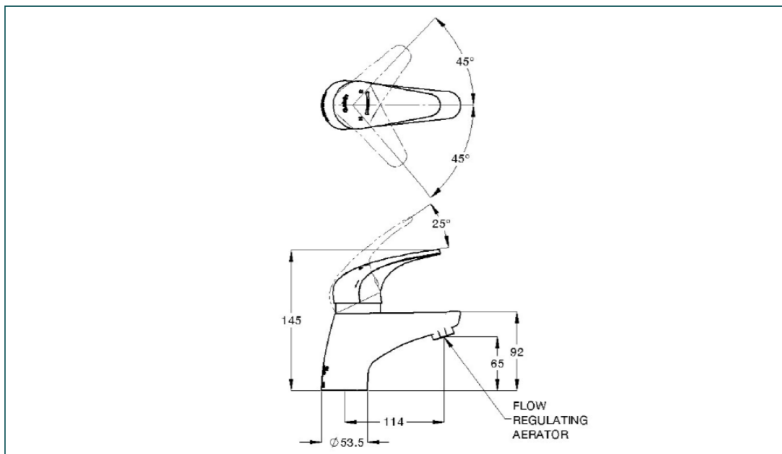
I/No: 0698161 Supplier Code: TM-BASX

Product Dimensions: 145mm H x 53.5mm Diameter Warranty: 5 Year



#### Product Features:

- 304 stainless steel construction
- Ergonomic design
- WELS: 6 Star Rating (4.0L/min) or 5 Star Rating (6.0L/min)
- Nominal Flow Rate (LPM): 3.80 or 5.88
- WaterMark: AS/NZS 3718 Lic. WM-021226
- Inlet: 1/2" BSP - Female Flexi Tales
- Outlet: Aerator
- Headwork: 40mm Ceramic Cartridge
- Working Temperature Range (°C): 5 Min - 80 Max



## Basin Tapware

### Care Robust Basin Mixer



**I/No:** 0666110 **Supplier Code:** PJ-RBBM

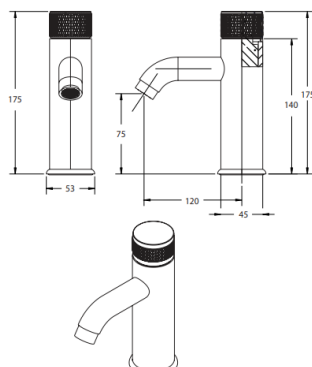
**Product Dimensions:** 53mm W x 155mm D x 175mm H **Warranty:** 7 Years



#### Product Features:

- Minimalist Basin Mixer Tap
- Heavyweight Solid Brass Construction
- Stylish Chrome Plated Finish
- Knurl handle for better grip
- 5 Star – Wels 5 Litres Per Minute
- Water Mark Approved

Overall Dimensions  
53mm (w) x 155mm (d) x 175mm (h)



<b>0666110</b>	Robust Basin Mixer - Chrome
<b>1028583</b>	Robust Basin Mixer - Brushed Nickel

[Click here](#) for more product information

\*By clicking this link you are being taken to an external website.

[Home](#)

## Basin Tapware

### Care Robust Sink/Basin Mixer



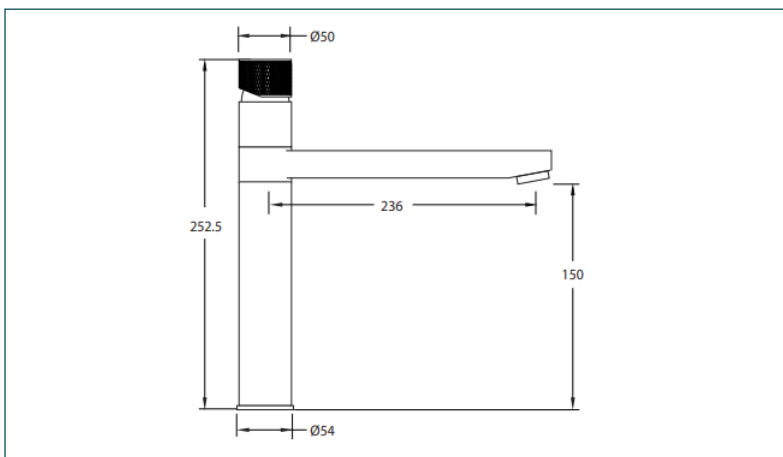
**I/No:** 0666112 **Supplier Code:** ALS-RBSM

**Product Dimensions:** 54mm W x 272mm D x 252.5mm H **Warranty:** 1 Year



#### Product Features:

- Minimalist Sink/Basin Mixer Tap
- Heavyweight Solid Brass Construction
- Stylish Chrome Plated Finish
- Knurl handle for better grip
- 5 Star – Wels 5 Litres Per Minute
- Water Mark Approved



<b>0666112</b>	Sink/Basin Mixer - Chrome
<b>1028586</b>	Sink/Basin Mixer - Brushed Nickel

[Click here](#) for more product information

\*By clicking this link you are being taken to an external website.

## Bathroom Accessories

### Mirror Polished Stainless Steel

Bradley

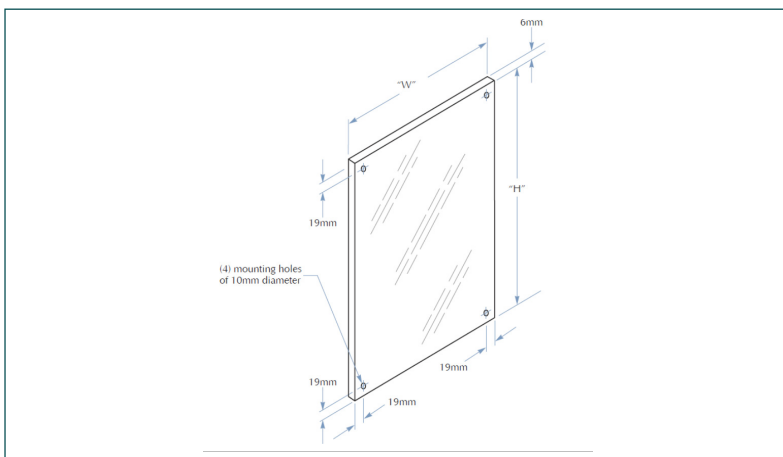
I/No: 0674952 Supplier Code: 748-1840

Product Dimensions: 450mm W x 1000mm H x 6mm D Warranty: 1 Year



#### Product Features:

- Surface mounted
- Stainless steel
- Unbreakable
- Architectural bright polished No. 8



[Click here](#) for more product information

\*By clicking this link you are being taken to an external website.

[Home](#)

**Bathroom Accessories**

# Mirror Acrylic Flat Safety Mirror with Bevelled Edges

**Bradley**

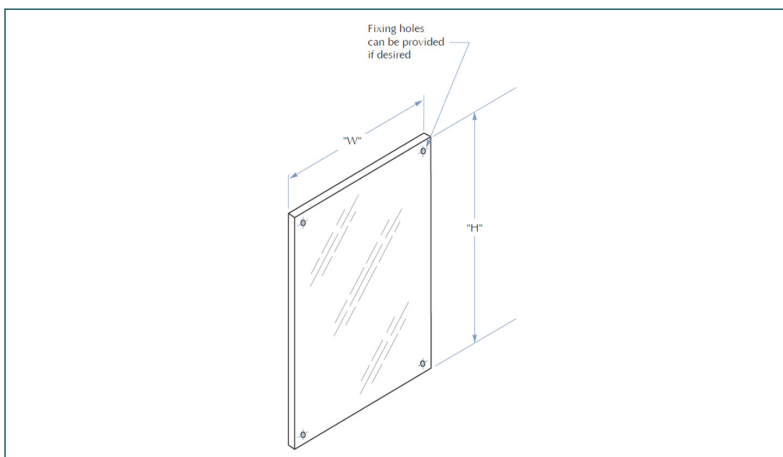
**I/No:** 0674936 **Supplier Code:** 746-1840

**Product Dimensions:** 450mm W x 1000mm H x 3mm D **Warranty:** 1 Year



**Product Features:**

- Surface mounted
- Lightweight 3mm Euromir Acrylic mirror
- Smooth corners and edges



[Click here](#) for more product information

\*By clicking this link you are being taken to an external website.

[Home](#)

**Bathroom Accessories**

# Mirror 6mm Polycarbonate Frameless Smooth Round Corners

**Bradley**

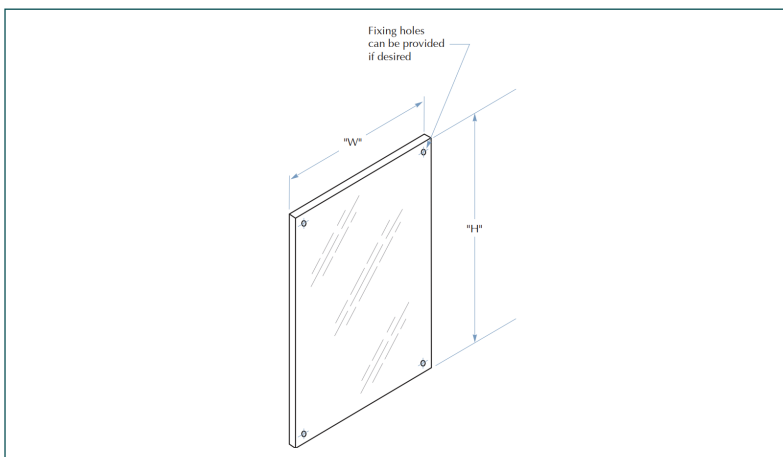
**I/No:** 1048609 **Supplier Code:** 745-1840

**Product Dimensions:** 450mm W x 100mm H x 6mm D **Warranty:** 1 Year



**Product Features:**

- Surface mounted frameless mirror
- Strong, lightweight and shatter resistant
- Smooth corners and edges



[Click here](#) for more product information

\*By clicking this link you are being taken to an external website.

[Home](#)

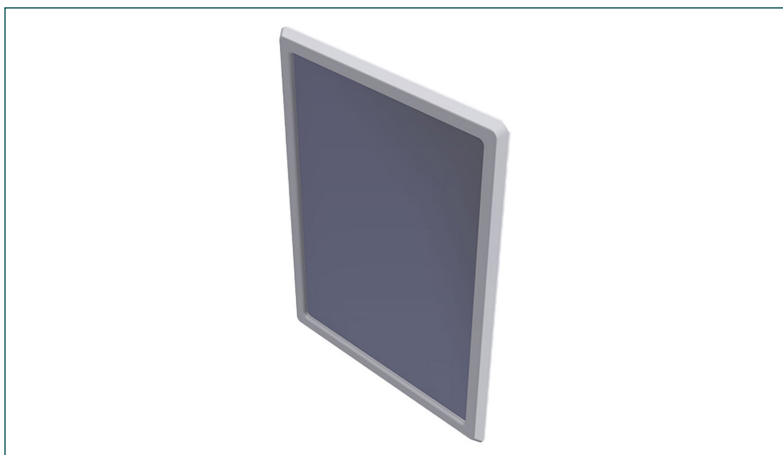
## Bathroom Accessories

### Ligature Resistant Polycarb Mirror with Solid Surface Frame Front Fixed



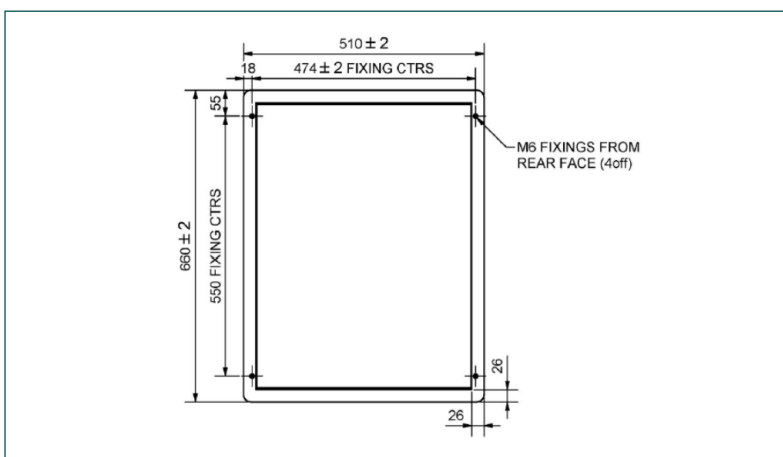
I/No: 1030427 Supplier Code: ALM-03FF-W

Product Dimensions: 500mm W x 650mm H Warranty: 5 Years



#### Product Features:

- Highly robust anti-ligature design
- Domestic appearance
- High grade, non-distorting, non-scratch polycarbonate
- Secure wall fixings, rear mount installation only
- Solid surface frame made as one piece without joins
- Reduces the potential for self-harm
- Assists in normalising the environment



Bathroom Accessories

# Anti-ligature Surface Mounted Towel Hook Stainless Steel

Bradley

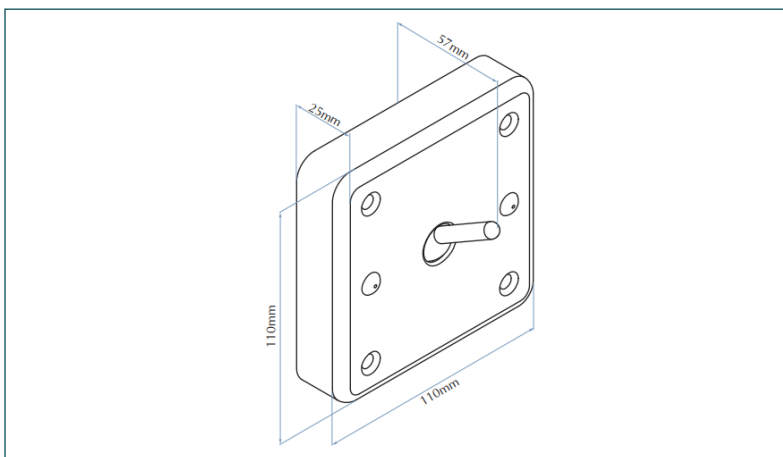
I/No: 0674904 Supplier Code: SA36

Product Dimensions: 110mm W x 110mm H Warranty: 1 Year



### Product Features:

- Anti-ligature Surface Mounted Towel Hook
- Hook releases with 9kgs of force
- Front fix
- Satin finish Stainless Steel



[Click here](#) for more product information

\*By clicking this link you are being taken to an external website.

[Home](#)

## Bathroom Accessories

### Anti-Ligature Double Robe/Towel Hook



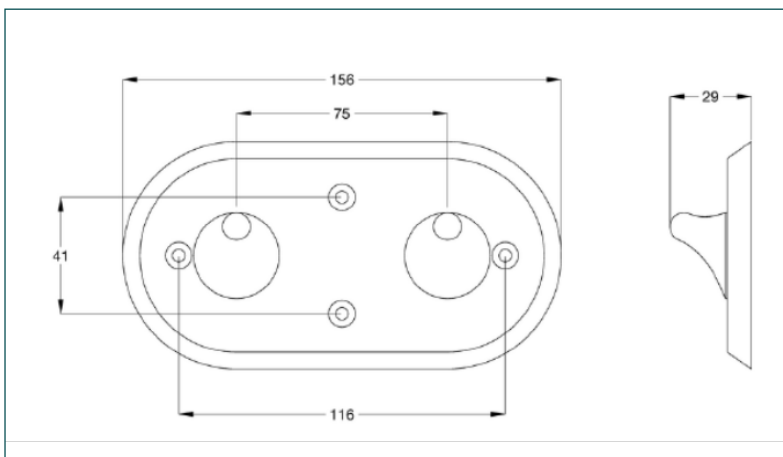
**I/No:** 1030434 **Supplier Code:** THK-02

**Product Dimensions:** 156mm W x 29mm D **Warranty:** 5 Years



#### Product Features:

- Anti-Ligature design
- Reduces the risk of self-harm
- Secure installation with Torx screws



## Bathroom Accessories

### Anti-Ligature Single Robe/Towel Hook



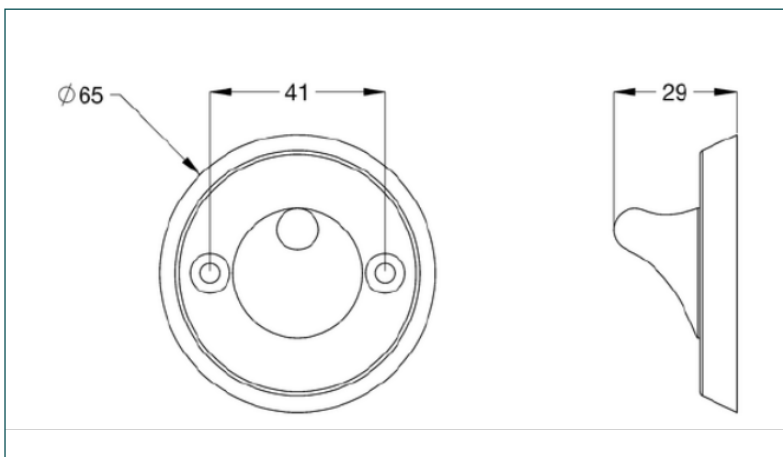
I/No: 1030435 Supplier Code: THK-01

Product Dimensions: 65mm W x 29mm D Warranty: 5 Years



#### Product Features:

- Anti-Ligature design
- Reduces the risk of self-harm
- Secure installation with Torx screws



**Bathroom Accessories**

# Antiligature Chase Mounted Towel Hook Stainless Steel

**Bradley**

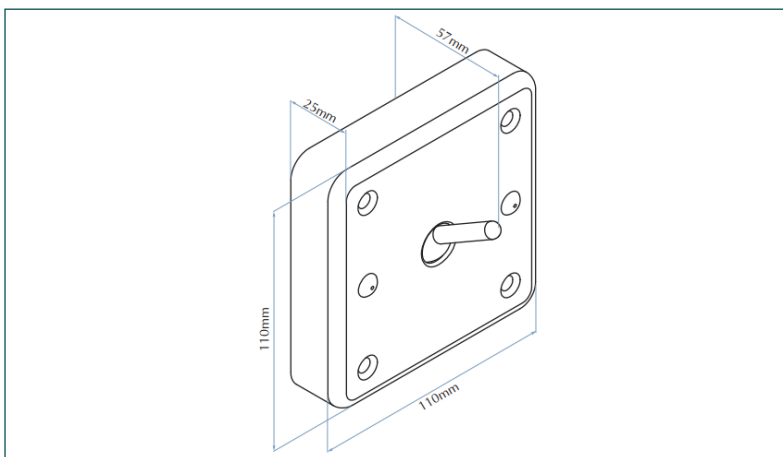
**I/No:** 0674909 **Supplier Code:** SA35

**Product Dimensions:** 110mm W x 110mm H **Warranty:** 1 Year



**Product Features:**

- Chase/rear mounted
- Satin Finish Stainless Steel
- Safety hook fabricated of stainless steel with pivoting ball joint that releases when more than 9kg of force is applied



[Click here](#) for more product information

\*By clicking this link you are being taken to an external website.

[Home](#)

Bathroom Accessories

# Anti-Ligature Recessed Toilet Tissue Holder Stainless Steel

Bradley

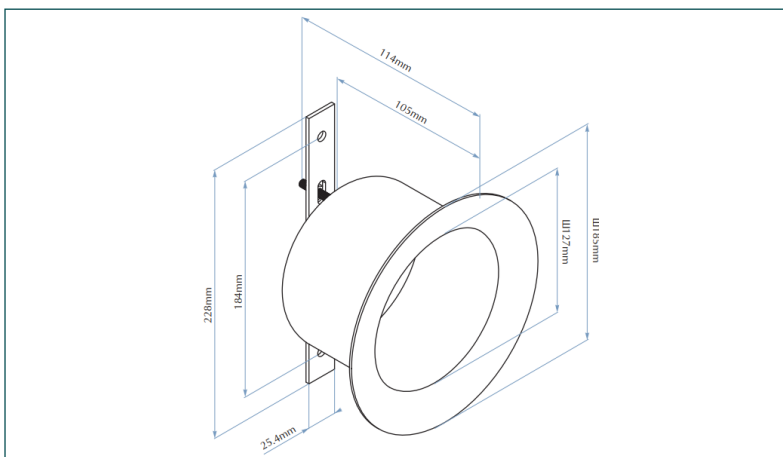
I/No: 0564043 Supplier Code: SA11

Product Dimensions: 185mm Diameter x 114mm D Warranty: 1 Year



Product Features:

- Recessed
- Satin finish stainless steel
- Single Roll



[Click here](#) for more product information

\*By clicking this link you are being taken to an external website.

[Home](#)

## Bathroom Accessories

### Anti-Ligature A/V Recessed Toilet Roll Holder Solid Surface White



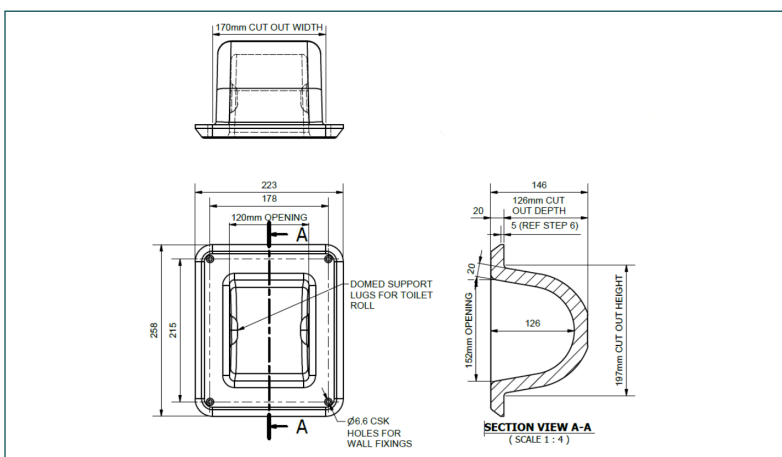
I/No: 1030428 Supplier Code: TRH-04

Product Dimensions: 258mm H x 223mm W x 166mm D Warranty: 5 Years



#### Product Features:

- Highly robust
- Anti-ligature
- Recessed design
- Made as one piece without joins
- Highly polished finish for ease of cleaning
- Easily renewable surface without a gel coat layer
- Reduces the potential for self-harm
- Improved hygiene
- Easily re-finished to retain appearance



## Bathroom Accessories

### Anti-Ligature, Anti-Vandal Solid Surface Toilet Roll Holder with Front Fixings



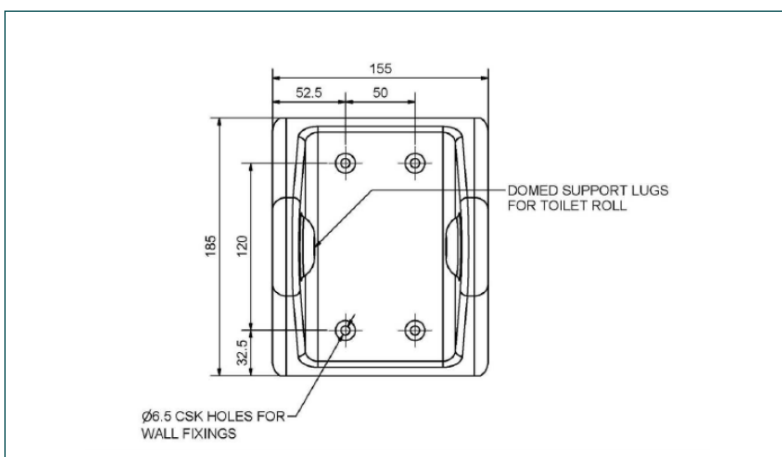
I/No: 1030433 Supplier Code: TRH-02W

Product Dimensions: 185mm H x 155mm W Warranty: 5 Years



#### Product Features:

- Highly robust
- Anti-ligature
- Made as one piece without joins
- Highly polished finish for ease of cleaning
- Reduces the potential for self-harm



## Contact us for all your business needs

### Phone

134 Trade

### Email

[sda@bunnings.com.au](mailto:sda@bunnings.com.au)

### Visit

[trade.bunnings.com.au/about-us/sda-solutions](https://trade.bunnings.com.au/about-us/sda-solutions)