

INSTALLATION, OPERATION & MAINTENANCE INSTRUCTIONS

FOR EVERDURE RANGEHOODS



Models:

RBES6061

RBES6061B

RBES9061

EVERDURE.

EVERDURE.

INSTALLATION, OPERATION AND MAINTENANCE INSTRUCTIONS FOR EVERDURE RANGEHOODS

RBES6061

RBES6061B

RBES9061

CONGRATULATIONS

Welcome to the Everdure Kitchen Community and thank you for choosing one of our many fantastic cooking appliances. We are confident that you will now be able to meet your cooking needs. Before you use the cooktop we strongly recommend that you read through the whole user manual which provides the description of this product and the proper use of its functions. To avoid the ever-present risks involved with using an electrical appliance it is vital that the appliance is installed correctly and that you read the safety instructions carefully to avoid misuse and hazards.

It is important that you retain these instructions and your proof of purchase along with any other important documents about this product for future reference. Due to continual product development, Everdure reserves the right to alter specifications or appearances without notice.

CONTENTS

IMPORTANT SAFETY INSTRUCTIONS	1
APPLIANCE DETAILS	2
INSTALLATION INSTRUCTIONS.....	3-5
OPERATING INSTRUCTIONS	5
CLEANING	6
LEDS	6
TROUBLESHOOTING	6

It is important that you retain these instructions, proof of purchase as well as other important documents about this product for future reference.

Due to continual product development, Everdure reserves the right to alter specifications or appearances without notice.

Remove all packaging and dispose responsibly – recycle where facilities are available.

IMPORTANT SAFETY INSTRUCTIONS

IMPORTANT: Read the assembly instruction section and safety precautions of this booklet carefully before removing the contents of this carton.

1. In certain circumstances electrical appliances may be a safety hazard.
2. This appliance is not intended for use by persons (including children) with reduced physical, sensory or mental capabilities, or lack of experience or knowledge, unless they have been given supervision or instruction concerning the use of the appliance by a person responsible for their safety. Young children should be supervised to ensure that they do not play with the appliance.
3. Do not check the status of the filters whilst the cooker hood is operating.
4. Do not touch the light bulbs after use.
5. Do not disconnect the appliance with wet hands.
6. Do not disconnect the power supply by pulling on the cable.
7. Do not flambé underneath the range hood.
8. Avoid free flame, as it may cause damage to the filters and can be a fire hazard.
9. Unplug the appliance before carrying out maintenance, cleaning or replacing lamps.
10. If the power cord is damaged, it must be replaced by the manufacturer, an authorised service centre or similarly qualified persons to avoid a hazard.
11. For indoor use only.
12. It is recommended to operate the range hood prior to cooking.
13. It is recommended to leave the range hood in operation for 15 minutes after cooking is terminated in order to completely eliminate cooking vapours and odours.
14. Turn off the range hood when not in use.
15. Do not use the range hood if it is damaged, especially the supply cord and the case.
16. Do not immerse the range hood in liquid.
17. The exhaust air must not be discharged into a flue which is used for exhausting fumes from an appliance burning gas or other fuels (not applicable to appliances that only discharge the air back into the room).
18. Regulations concerning the discharge of air have to be fulfilled.
19. There shall be adequate ventilation of the room when the range hood is used at the same time as appliances burning gas or other fuels (not applicable to appliances that only discharge the air back into the room).
20. Clean the surface of the cooker hood regularly using a cloth moistened with denatured alcohol or a non-abrasive liquid detergent.
21. There is a fire risk if cleaning is not carried out in accordance with the instructions.
22. The 600mm units are intended for use above hobs that are 600mm wide and the 900mm units are intended for use above hobs that are 900mm wide.
23. The range hood must be mounted at a minimum distance of 65cm above the cooking surface.
24. **CAUTION:** Accessible parts may become hot when used with cooking appliances.
25. **Warning:** Failure to install the screws or fixing device in accordance with these instructions may result in electrical hazards.

APPLIANCE DETAILS

Voltage:	220 – 240V 50Hz
Lamp Max:	RBES6061: 2 x 2W LED RBES6061B: 2 x 2W LED RBES9061: 2 x 2W LED
Rated Input Power:	RBES6061: 194W RBES6061B: 194W RBES9061: 194W

General Information

Before installing and operating the rangehood, carefully read the following important information regarding installation safety and maintenance. Keep this information booklet accessible for further consultations.

The appliance has been designed to exhaust cooking fumes externally. Before installation, please ensure that the following have been supplied and that the tools listed below are readily available.

What may be needed for Installation

Electric Drill	Duct Tape
Tape Measure	Jig Saw
Spirit Level	Ladder
Screwdrivers	Torch (If natural lighting is minimal)

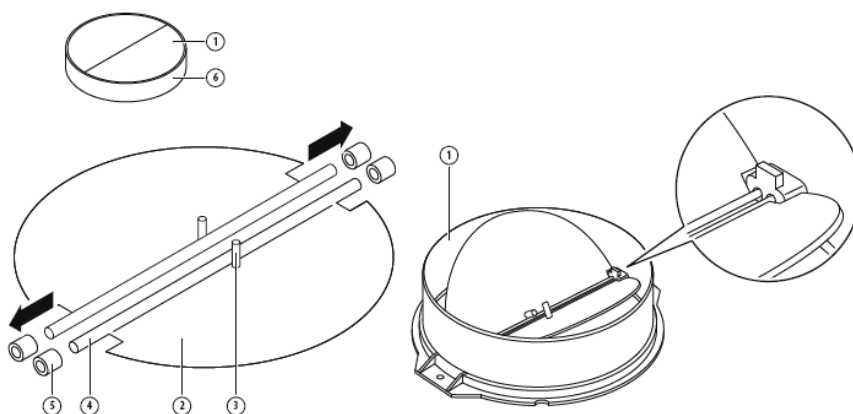
INSTALLATION INSTRUCTIONS

- Please ensure that before installing the rangehood, all power is switched off.
- Installation must be in accordance to the local electrical authority and codes.
- This rangehood must be earthed at all times for the operators' safety.
- The switched power outlet for the rangehood should be positioned to enable the user to turn the power off, to enable cleaning and any maintenance required.
- The switched power outlet should be installed within 600mm from the rear of the appliance.
- Ensure that when installing the rangehood, that it is protected from any possible damage from tools etc.
- Ducting for this appliance must be installed in accordance to the local authority.
- Ensure that the fixings used for this rangehood are suitable.
- Check the area where the rangehood is to be fitted, to ensure that it is structurally sound.

Mounting the V-Flap

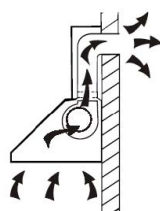
If the rangehood does not have an assembled V-flap, you will need to assemble it.

1. Mount the two halves (2) to the rangehood body (6).
2. Attach the pin (3) to the flaps.
3. Attach the axle rods (4) to the rangehood body using the holes (5).



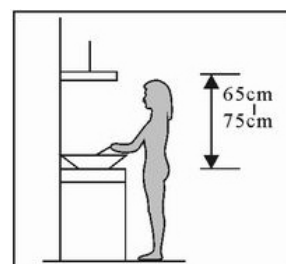
Installation of the Rangehood

If you have an outlet to the outside, your rangehood can be connected as below by means of an extraction duct (enamel, aluminium, flexible pipe or non-flammable material with an interior diameter of 150mm).



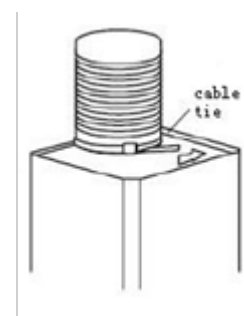
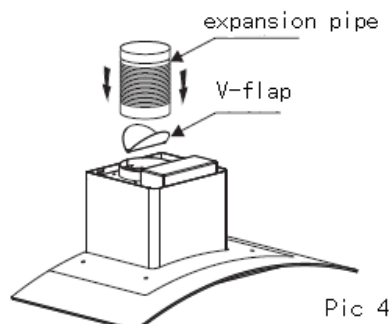
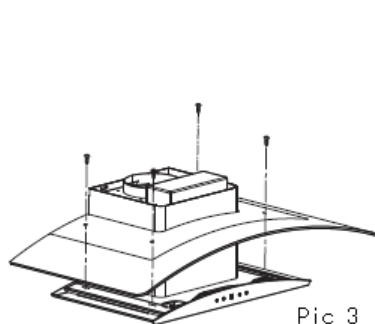
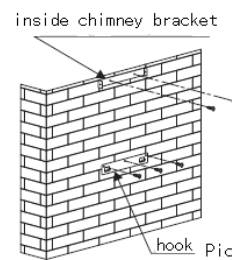
Warning: The unit must not be connected to a power source before it is properly installed.

1. The rangehood should be mounted at a distance of 65cm – 75cm above the cooking surface for best effect. The rangehood must not be mounted closer than 65cm above the cooking surface. Some cooktops specify a minimum distance that a rangehood can be mounted above them. If the distance specified by your cooktop is greater than 65cm, the value specified by the cooktop must be used.

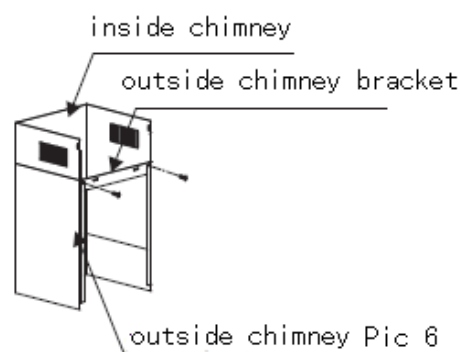
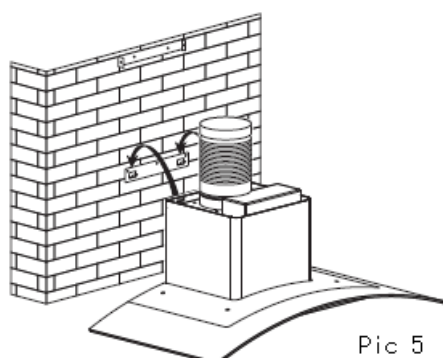


INSTALLATION INSTRUCTIONS

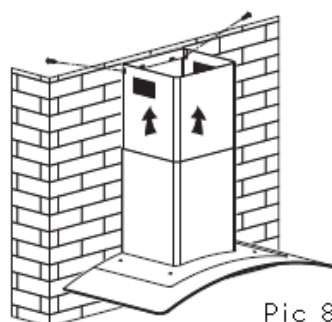
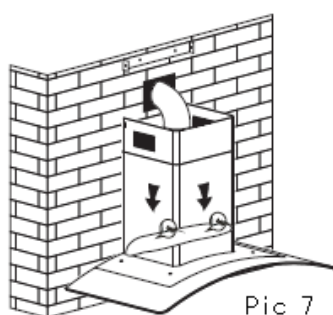
1. Install the hook bracket once the installation height is determined. Install the inside chimney bracket above the hook bracket.
2. Attach the glass canopy to the rangehood body.
3. Attach the assembled V-flap and expansion pipe the to rangehood body. Fix the expansion pipe with cable ties.



4. Attach the rangehood to the hook bracket.
5. Install the outside chimney bracket onto the outside chimney with 2 pcs ST4*8mm screws. Ensure that the inside chimney can move inside freely. After adjusting the height, fix the body with 2 pcs ST4*30mm safety screws. Put the two chimneys together onto the rangehood body and lead the expansion pipe to your outlet.



6. Adjust the height of the inside chimney to a suitable height. Fix the inside chimney to the inside chimney bracket with 2 pcs ST4*8mm screws.



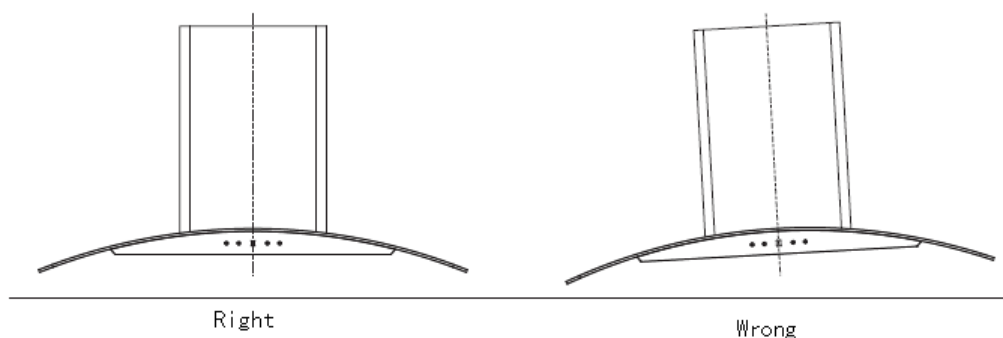
NOTE: The two safety vents are positioned on the back housing, with a diameter of 6mm.

NOTE: Remove all protective plastic coatings from the stainless steel surfaces before use.

INSTALLATION INSTRUCTIONS

The following rules must be strictly followed to obtain optimal air extraction:

- Keep expansion pipe short and straight.
- Do not reduce the size or restrict expansion pipe.
- When using expansion pipe always install the pipe pulled taut to minimize pressure loss.
- Failure to observe these basic instructions will reduce the performance and increase noise levels of the cooker hood.
- Any installation work must be carried out by a qualified electrician or competent person.
- Do not connect the ducting system of the hood to any existing ventilation system which is being used for any other appliance ,such as warmer tube, gas tube , hot wind tube.
- The angle of the bend of the expansion pipe should not be less than 120°; you must direct the pipe horizontally, or, alternatively, the pipe should go up from the initial point and should be led to an outer wall.
- After the installation ,make sure that the cooker hood is level to avoid grease collection at on end.
- Ensure the expansion pipe selected for installation complies with relevant standards and is fire retardant.

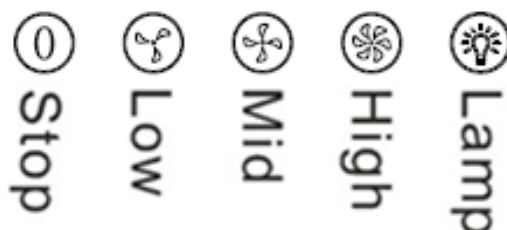


OPERATING INSTRUCTIONS

NOTE: Before the appliance can be operated, it must be ducted and connected to the power supply.

The rangehood has indication diagrams to allow you to easily select the fan operating speed required.

- Push the low button, indicated by a fan with 3 blades, and the motor will run at a low speed.
- Push the medium button, indicated by a fan with 4 blades and the motor will run at a medium speed.
- Push the high button, indicated by a fan with 5 blades and the motor will run at a high speed.
- Push stop button, indicated by an (O) and the motor will stop.
- Push the light button, indicated by a lit globe and the two lights will come on. Push it again and the light will turn off.



CLEANING

SAFETY PRECAUTION

Before cleaning your rangehood or performing any maintenance, please ensure that the rangehood is turned off at the power point.

Do not use abrasive cleaners to clean the rangehood. The use of warm soapy water and a cloth are recommended.

Ensure that the rangehood is cleaned regularly, as a build-up of grease and fat may occur otherwise.

The filters on the rangehood must be cleaned regularly to maintain efficiency, and prevent grease build up. The filter mesh is made of a high density Stainless Steel. It is recommended that this is undertaken every 4 – 6 weeks, depending on frequency of use. The filters can be cleaned with warm soapy water or a cloth.

Cleaning of the rangehood must be performed as described above; otherwise there is a possibility of a fire hazard due to grease and fat build up.

LEDS

The LED lamp used in this appliance cannot be replaced by the end user. If there is a fault with the LED lamp, please contact the Service Department.

TROUBLESHOOTING

Fault	Possible Cause	Solution
Light on, but motor does not work	Fan switch turned off	Select a fan switch position.
	Fan switch failed	Contact Everdure Service.
	Motor failed	Contact Everdure Service.
Light does not work, motor does not work	House fuses blown	Reset/Replace fuses.
	Power cord loose or disconnected	Refit cord to power outlet. Switch power outlet on.
Oil leakage	One-way valve and the air ventilation entrance are not tightly sealed	Take down the one-way valve and seal with sealant.
	Leakage from the connection of U-shaped section and cover	Take U-shaped section down and seal.
Lights not working	Broken/Faulty LED lamp	Contact Everdure Service.
Insufficient suction	The distance between the rangehood and the gas top is too far	Refit the rangehood to the correct distance.
The Rangehood inclines	The fixing screw not tight enough	Tighten the hanging screw and make it horizontal.

NEW ZEALAND PRODUCT WARRANTY

EVERDURE STATEMENT OF STANDARD WARRANTY CONDITIONS

NEW ZEALAND CUSTOMERS

Nothing here in contained shall be construed in any way as excluding or limiting your rights under the Consumer Guarantee Act 1993.

OUR WARRANTY

Subject to the following conditions, this product is also covered by the manufacturer's **FIVE (5) YEAR WARRANTY from the date of purchase, covering all parts and labour (Our Warranty)**. Our Warranty (which is subject to the conditions below) covers rectification free of charge of any fault arising from defective materials or components, or faulty workmanship. The product will be repaired or replaced at the option of Everdure. Our Warranty is subject to the product being used for single family domestic household use.

Our Warranty operates in addition to (and does not exclude, restrict or modify) any rights or remedies to which you may already be entitled to under the New Zealand Consumer Law or any consumer guarantees law relating to this product.

Warranty applies to goods supplied and installed for Domestic Operation in the North and South Islands of New Zealand. Warranty does not cover costs of transport, travel distance (km - including time) if the product is located beyond 30km of an Authorised Service Agent

WHAT IS COVERED BY OUR WARRANTY

During the warranty period, Everdure or an Authorised Service Centre will at no charge, being the appliance is readily accessible without the need of special equipment or likelihood of damage to cabinetry, flooring or structures and subject to the terms and conditions of this warranty, repair or replace any parts which it considers defective.

WHAT IS NOT COVERED BY OUR WARRANTY:

1. Any failure caused by the product not being used in accordance with the instruction and installation manual provided with the product.
2. Incomplete or improper installation, including non-compliance with the electrical, gas, plumbing and all Local Regulations, Codes of Practice or National Standards of New Zealand.
3. If the product is not used in normal domestic use, or if it is used in a business as defined in the Consumer Guarantees Act.
4. Any costs associated with the repair, replacement, removal or re-installation of products installed damaged
5. Damage which occurs during delivery or installation.
6. Service calls related to instruction on how to use the product including no manufacturing fault found.
7. Unauthorised repairs or use of non-genuine Everdure parts.
8. Normal wear and tear e.g. cleaning, light globes, filters etc.
9. Any damage or breakage to glass items.
10. Failure resulting from power surges, electrical storms or limits outside the normal operating range for voltages and frequencies for domestic appliances in New Zealand
11. Insect or vermin infestation.
12. Damage caused from misuse, neglect, negligence, abuse or willful act, including failure to properly maintain or service.
13. The clearing of blockages in pumps and hoses.
14. Claims to product surface coating due to liquid or solid spill-overs, accidental damage or damage from cleaning products not recommended by Everdure.

HOW TO CLAIM OUR WARRANTY

Please refer to our website address below for Everdure in New Zealand to register your warranty online. If you are contacting Everdure regarding any warranty claims and spare part enquiries, please make sure you have the following information on hand:

1. Product Name/Model Number
2. Serial Number
3. Purchase Date (as per invoice, or proof of purchase)
4. Purchased from
5. Warranty Registration Number

All Warranty Claims and Spare Parts Inquiries:

In New Zealand:
Telephone (09) 415 6000

A division of Monaco Corporation 231 Bush Rd, Albany, North Shore City, Auckland, NZ 0632

NEW ZEALAND: (09) 415 6000
www.everdure.co.nz

IM Ref: RBES6061(B) RBES9061 v3 18-04-2023

FOR INDOOR USE ONLY

EVERDURE.