

LUGNA

FORM & FUNCTION



ASSEMBLY INSTRUCTIONS

INTERNAL DRAWER

HEIGHT
175mm

LUGNA understands the importance of timeless style and practical durability for a home's form and function. Our European-inspired collection is simple and easy to use, with five modern colours that complement any style and space. LUGNA's modular system allows for endless configurations and additions, with various-sized cabinets, drawers, shelving, and hinged doors that can be combined to create a bespoke look on any budget. Whether you're looking for something modern and sleek or classic and elegant, LUGNA has something for everyone.



SCAN TO PLAN

Plan your space with
our online planner

10 YEAR
WARRANTY

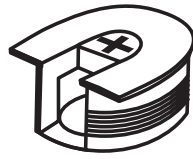


Includes



8x

Cam Lock Screws



8x

Cam Lock Nuts



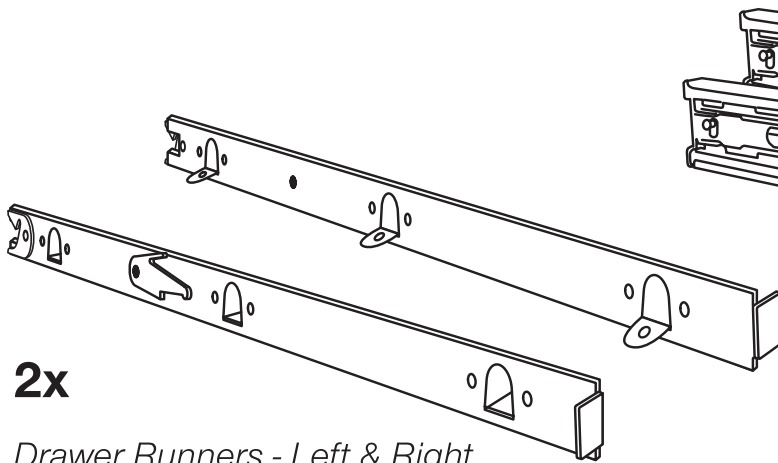
4x

Screw



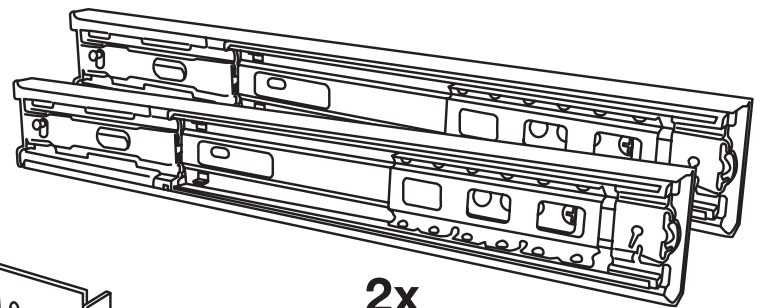
4x

Screw



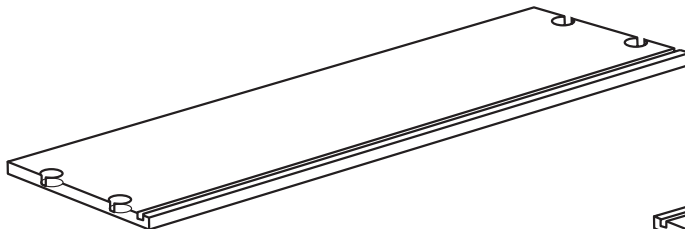
2x

Drawer Runners - Left & Right



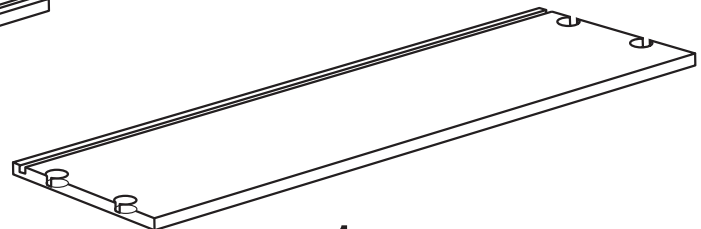
2x

Cabinet Sliders



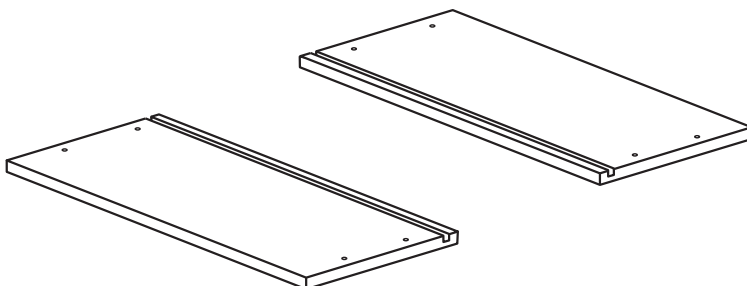
1x

Back Panel



1x

Front Panel

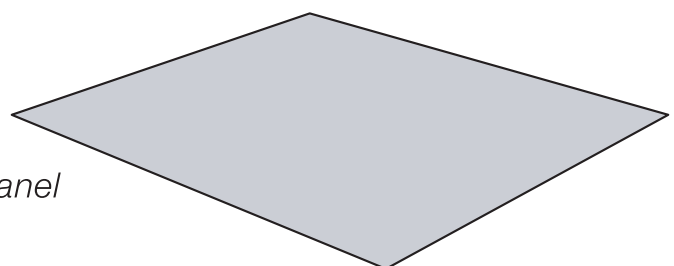


2x

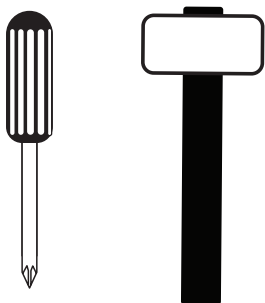
Side Panels - Left & Right

1x

Bottom Panel



What you will need



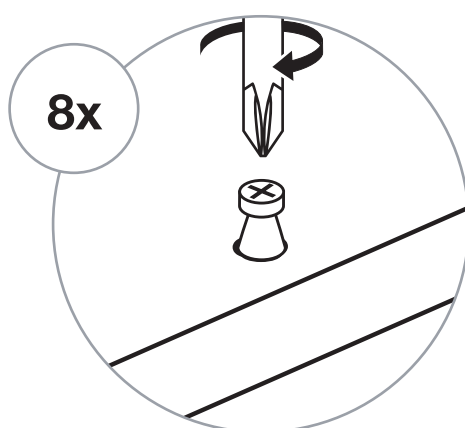
STEP 1



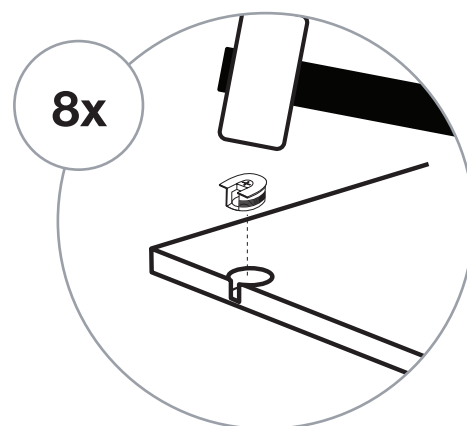
8x



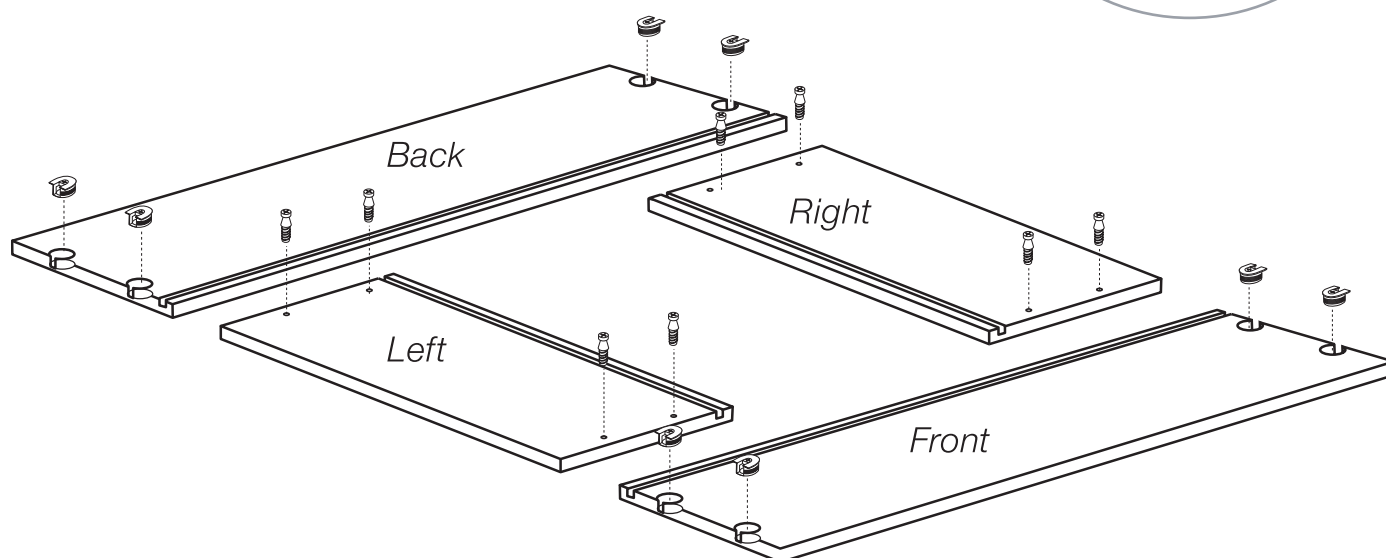
8x



8x

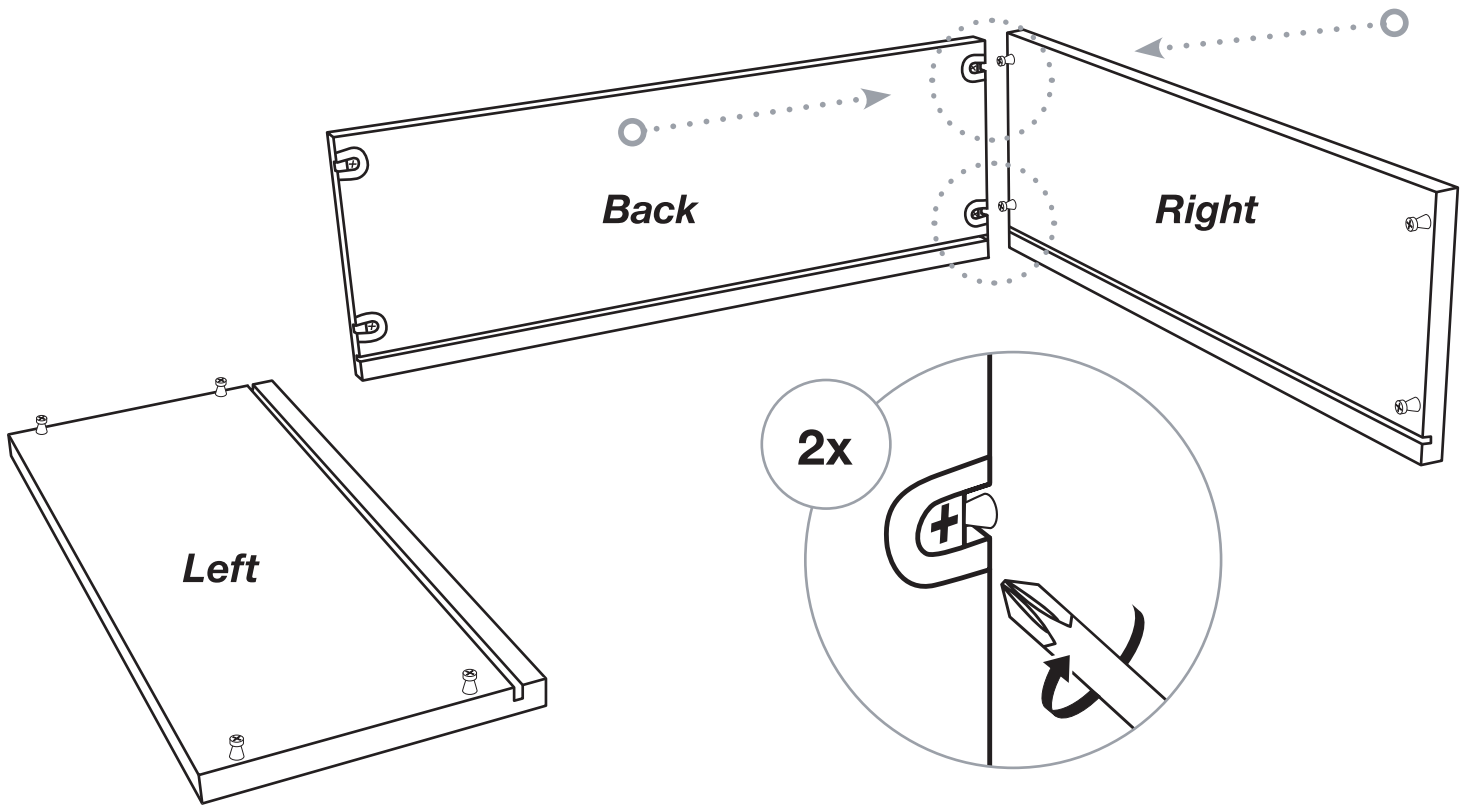


8x



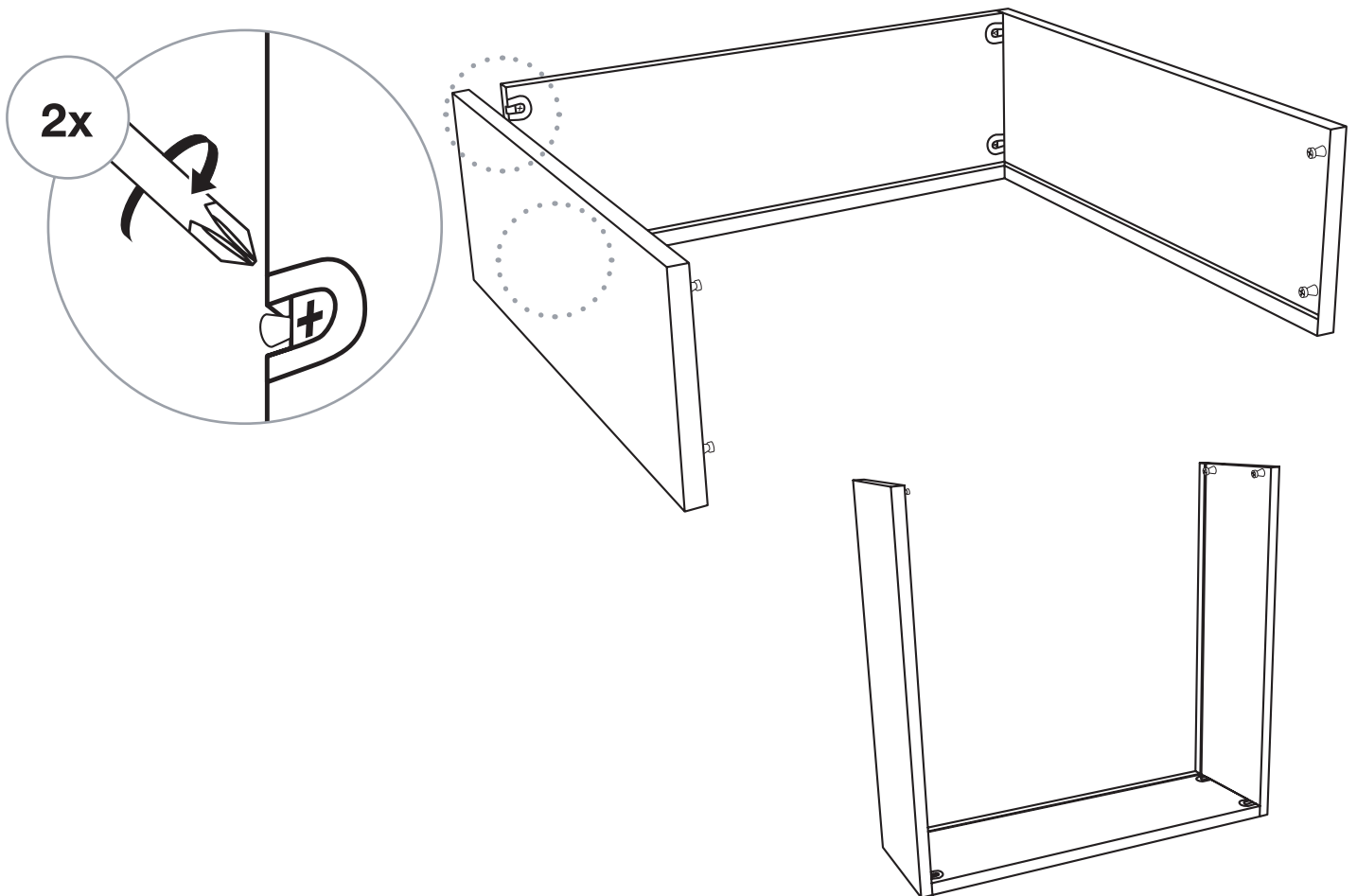
STEP 2

1x *Right Side Panel*



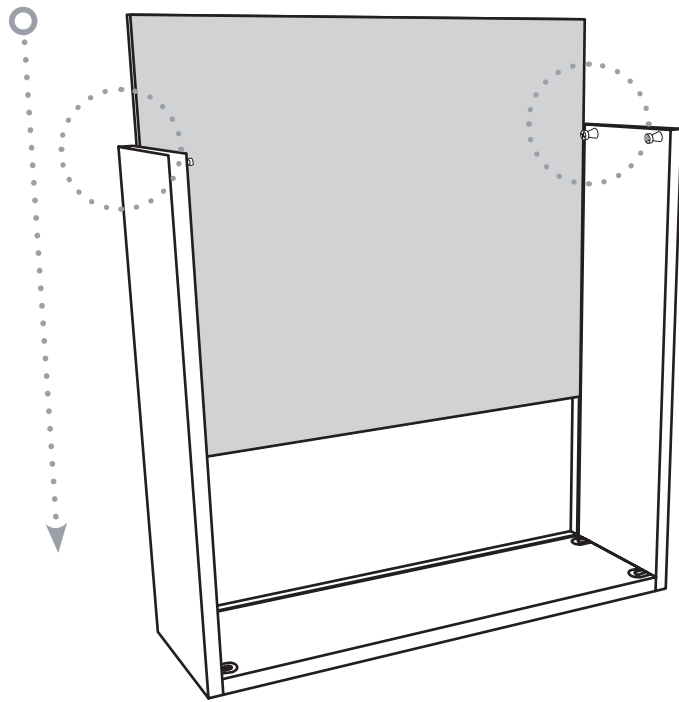
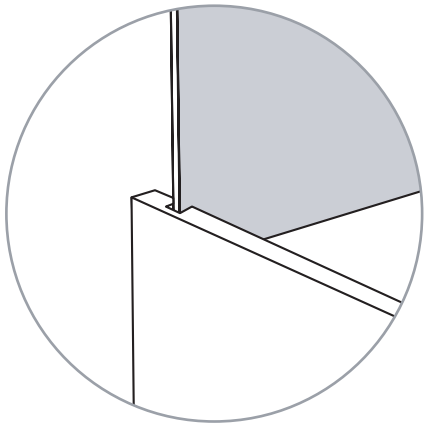
STEP 3

1x *Left Side Panel*



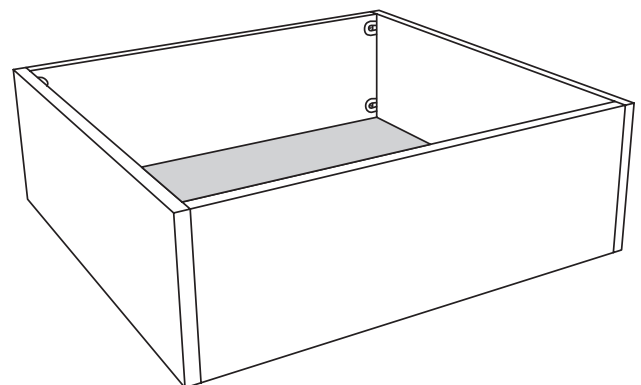
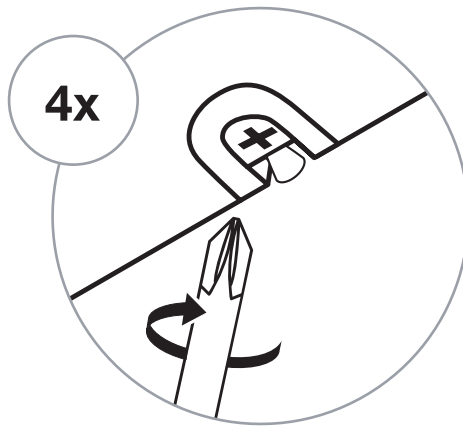
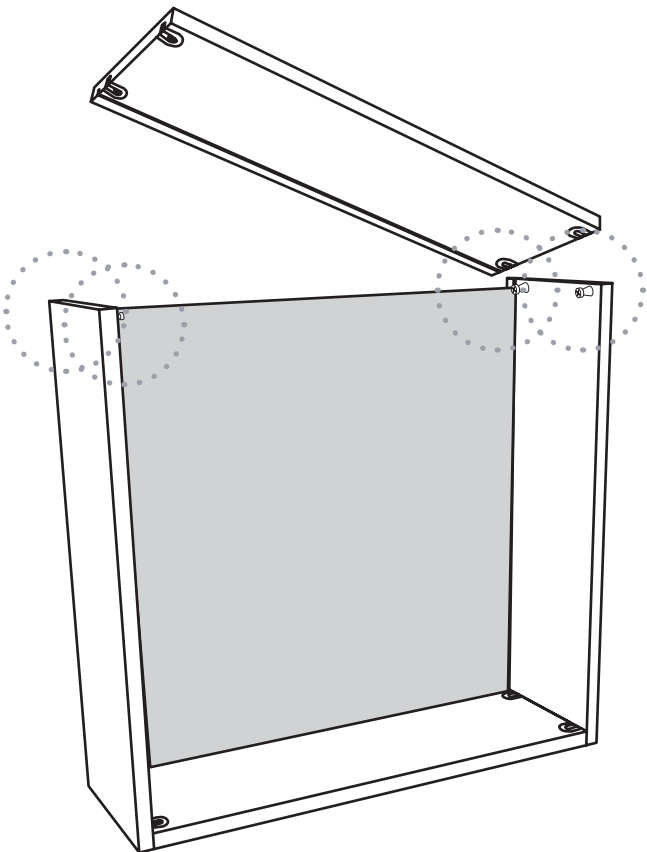
STEP 4

1x *Bottom Panel*



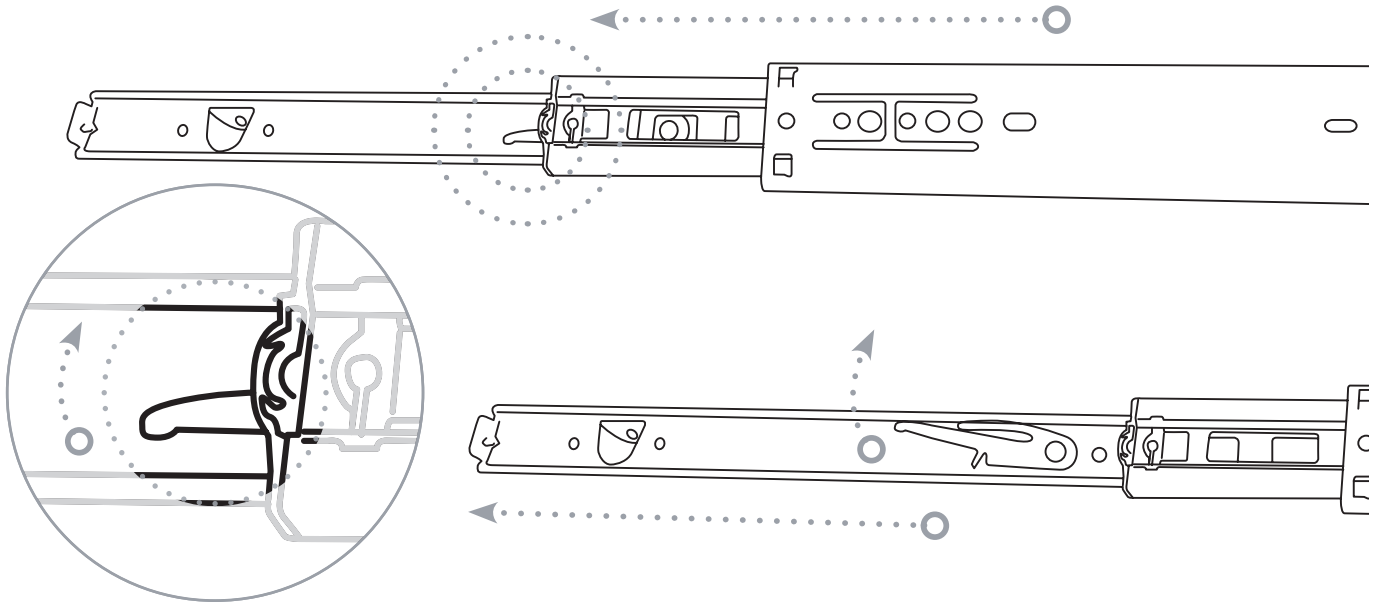
STEP 5

1x *Front Panel*



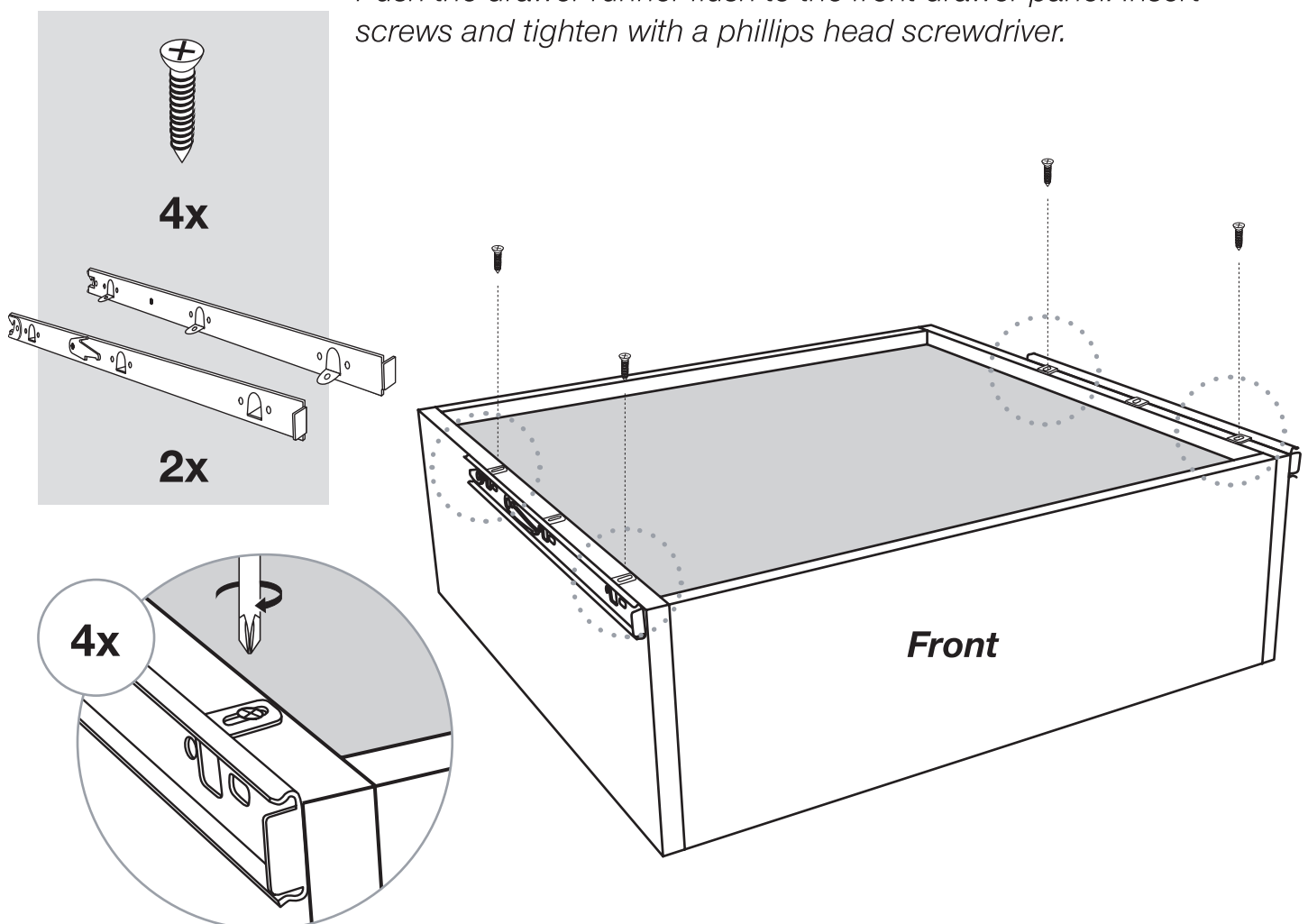
STEP 6

To remove the drawer runner from the cabinet slider, extend the slider components. Once the smaller inner drawer runner can not move out further, squeeze the plastic locking lever to disengage the drawer runner from the cabinet slider. Continue squeezing whilst pulling out the inner drawer runner.

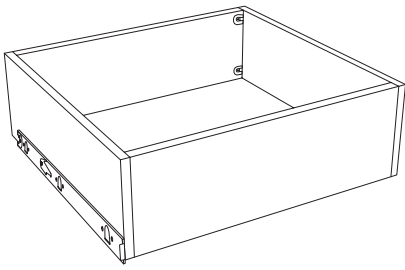


STEP 7

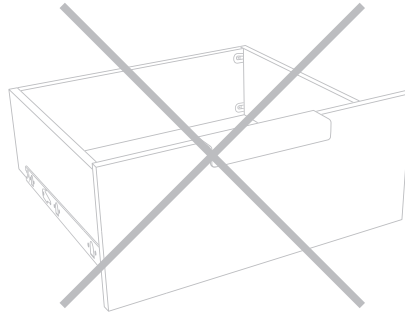
Turn the drawer upside down. Position the drawer runner so that the screw tabs sit on the bottom edge of the drawer side panels. Push the drawer runner flush to the front drawer panel. Insert screws and tighten with a phillips head screwdriver.



Drawer Cabinet Slider Positions

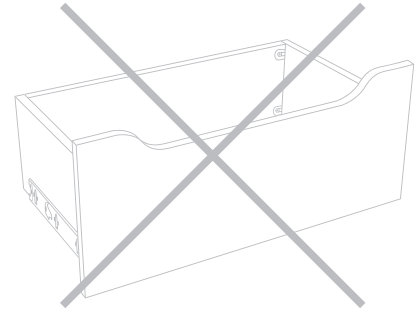


Internal Drawer



Full Drawer

*Refer to Separate
Assembly Instructions*

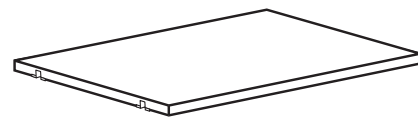
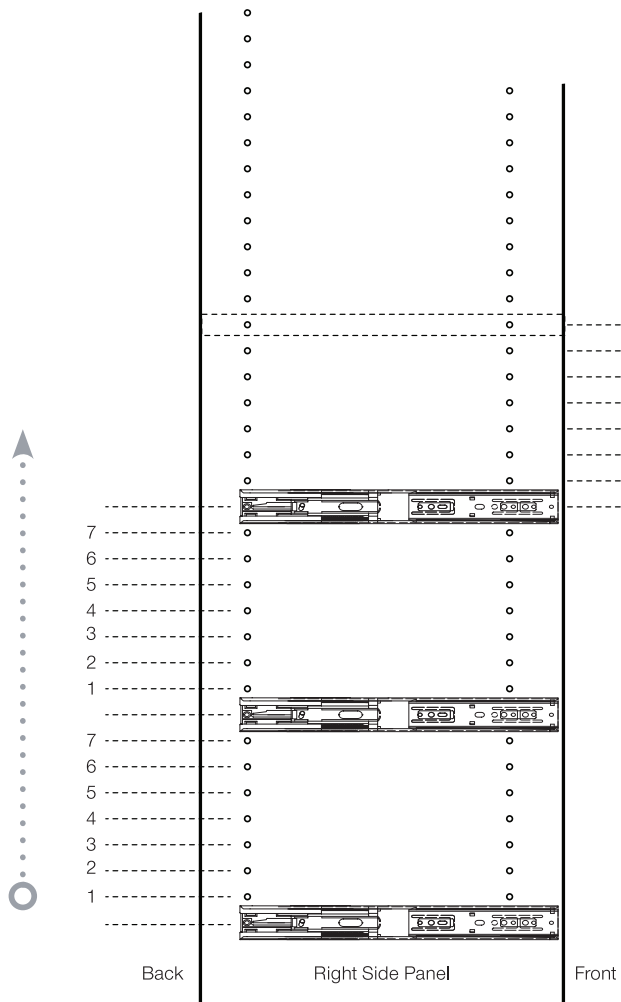


Scallop Drawer

*Refer to Separate
Assembly Instructions*

STEP 1

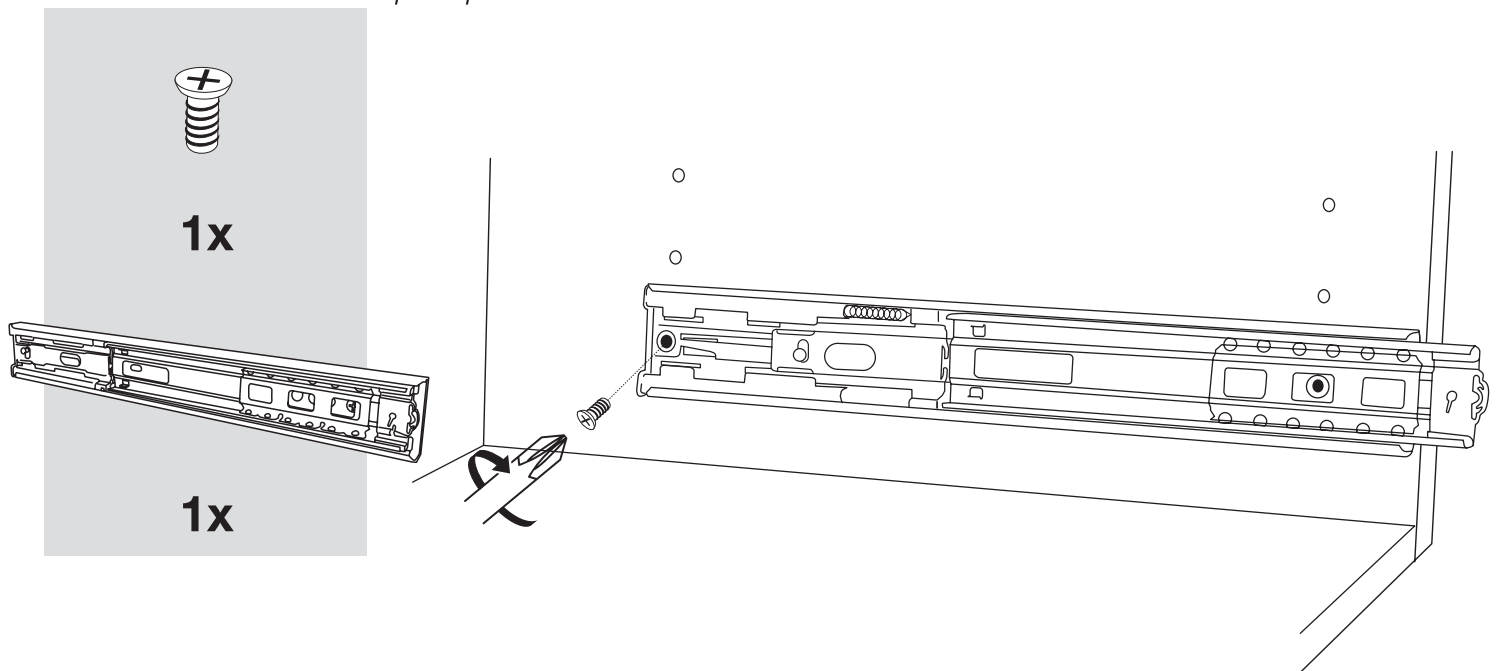
Add cabinet sliders for each drawer, starting at the bottom and working your way up. The Internal Drawer has a 7-hole space between slide runners. The Fixed Shelf position should be the 7th hole above the last slider.



Adjust the position of the Fixed Shelf to the 7th hole above the last slider.

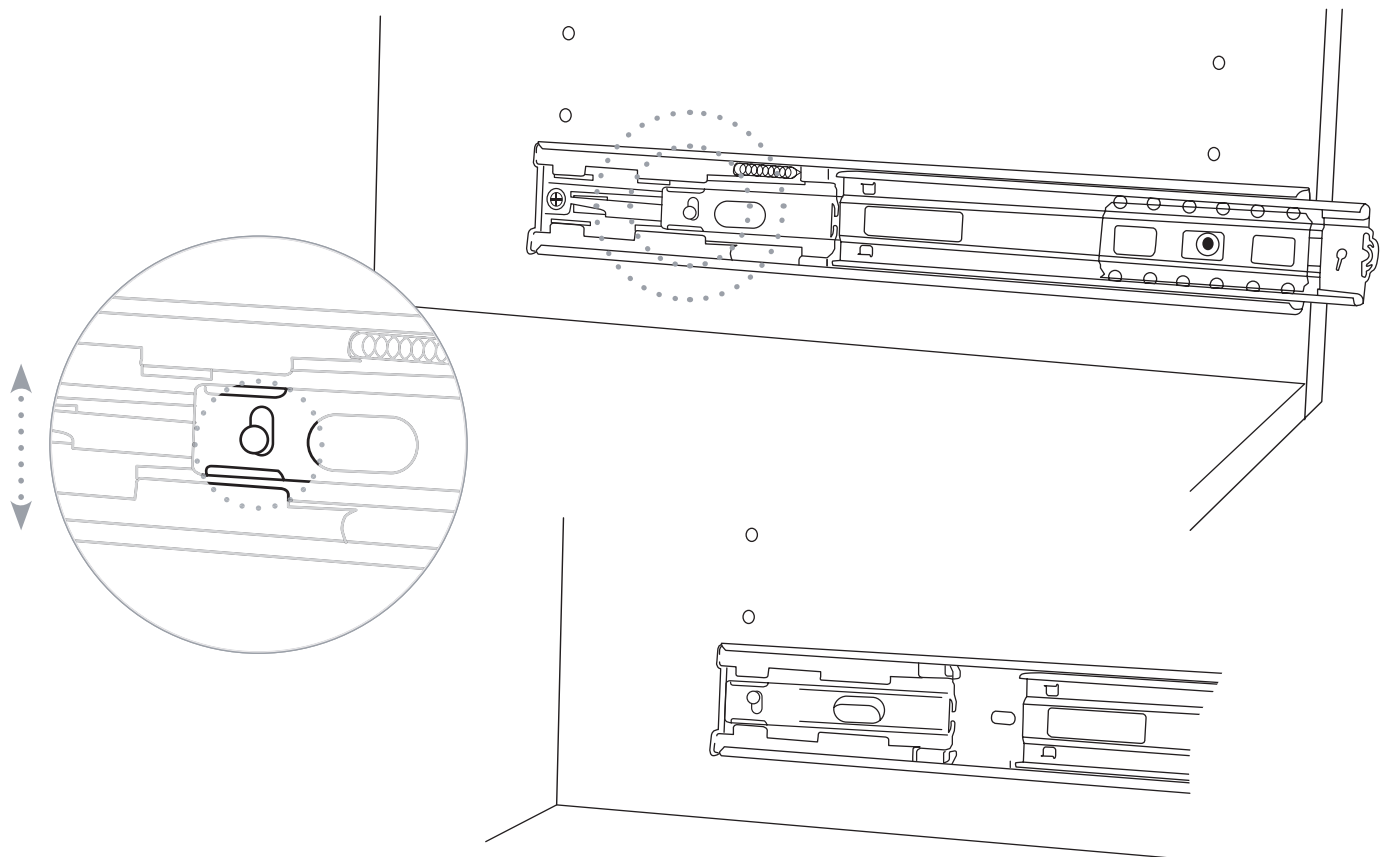
STEP 2

Align the back screw hole of the cabinet slider with the rear hole on the cabinet. Insert the screw and tighten it with a phillips head screwdriver.



STEP 3

Release the locking pin to allow the self-close mechanism to slide back.

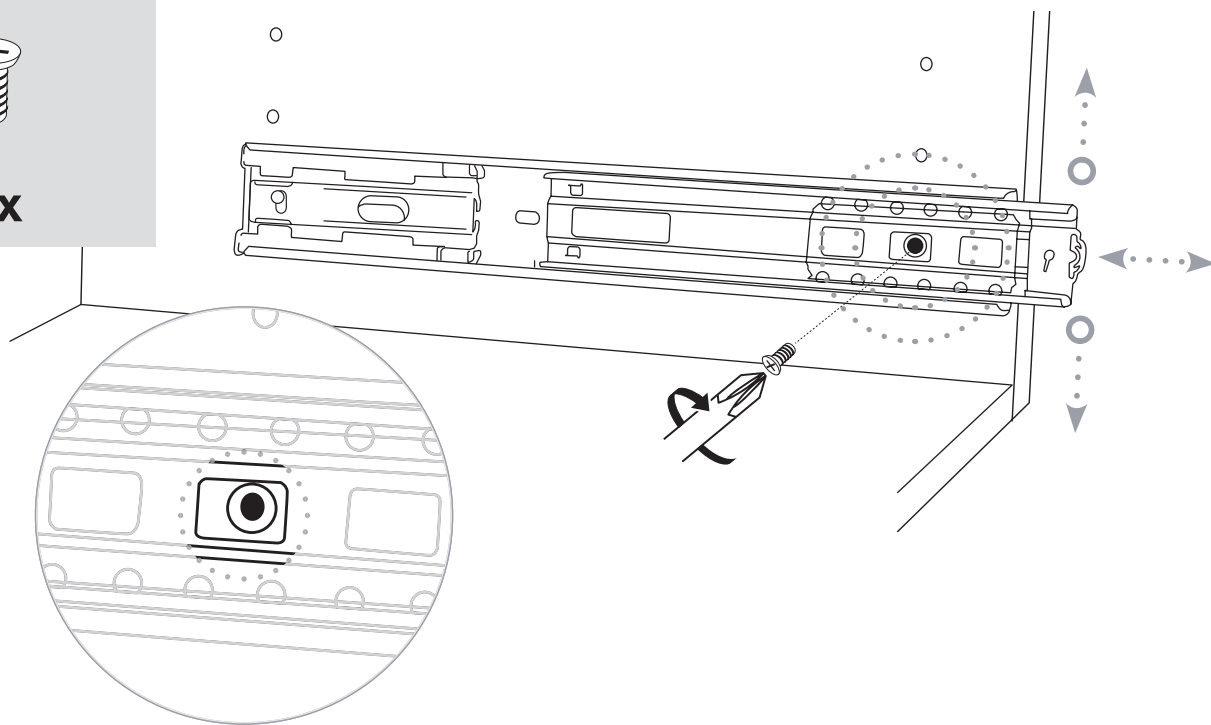


STEP 4

Align the cabinet slider bracket so that the front hole on the cabinet is visible through the slider bracket screw hole. Insert the screw and tighten it with a phillips head screwdriver.



1x

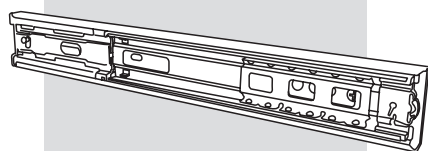


STEP 5

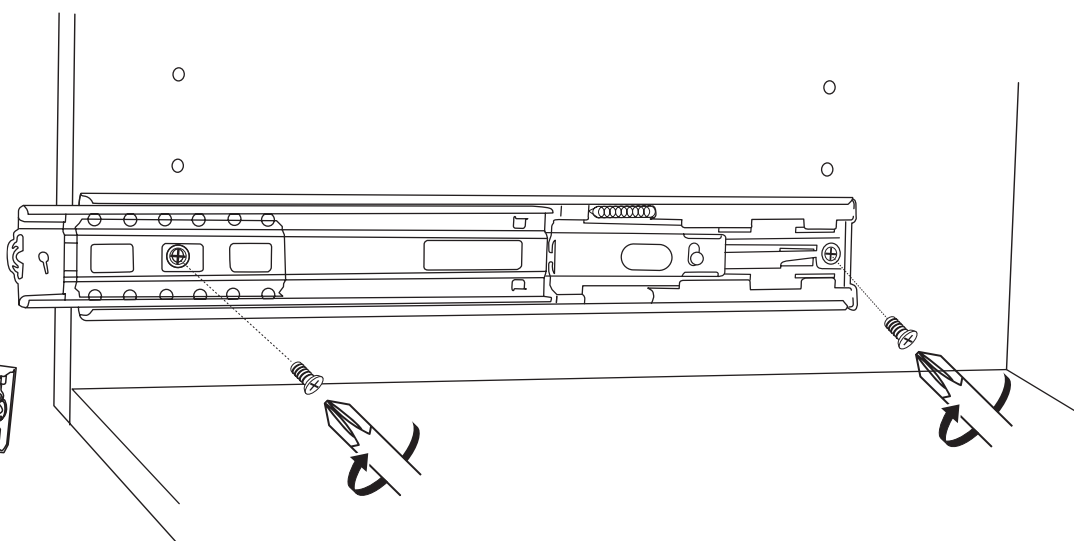
Repeat Steps 2, 3 and 4 to attach the slider to the opposite side of the cabinet.



2x

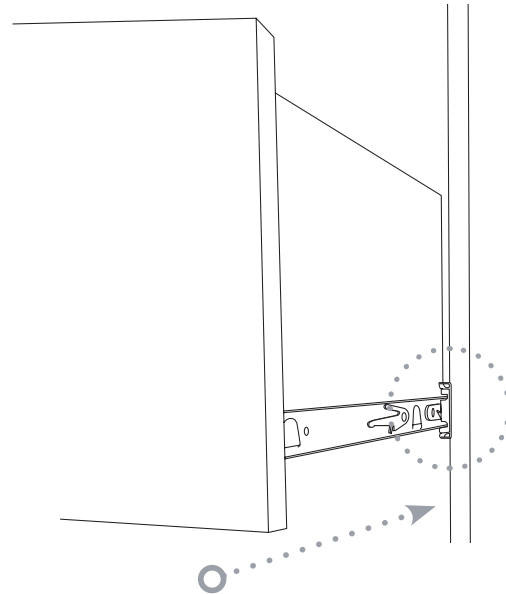
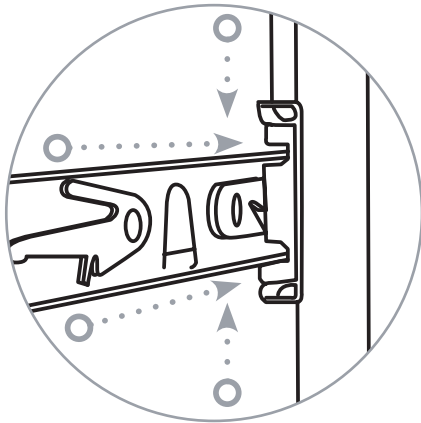


1x



Drawer Insertion

Lift the drawer to align the drawer runners with the sliders on the cabinet. Make sure the alignment of the drawer runners is correct on both left and right-hand side cabinet sliders, and gently guide the drawer inwards. As the drawer is inserted, you should hear a “click” sound as the drawer runners secure to the cabinet sliders. Pull the drawer out to test successful alignment and attachment.

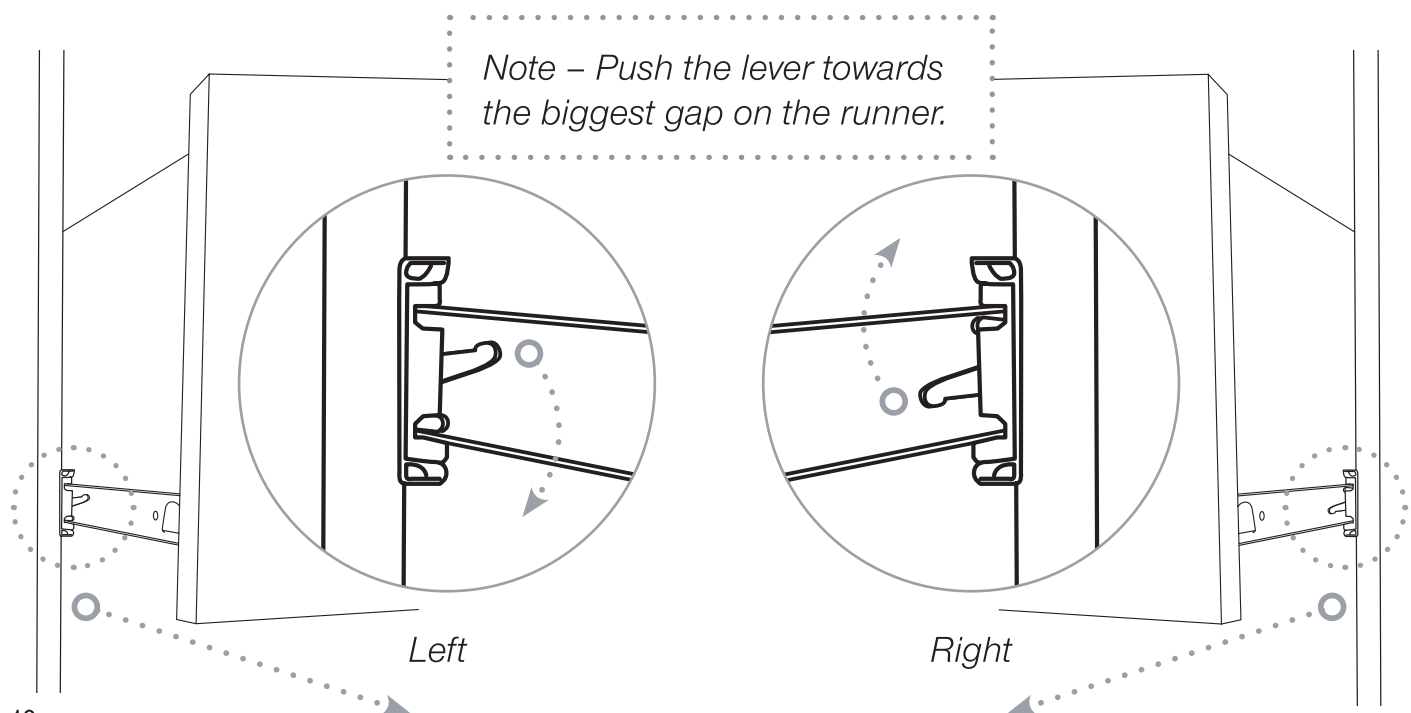


Drawer Removal

Slide the drawer out, full extension of the drawer slider. On the outer side of the drawer, disengage the drawer runner from the cabinet slider.

- Left-hand side of the drawer, push the lever down.
- Right-hand side of the drawer, push the drawer lever up.

The drawer will now slide out of the cabinet.



LUGNA

FORM & FUNCTION

CABINET CARE INSTRUCTIONS

Everyday care for your cabinets:

Liquid spills should be cleaned up as they occur. Liquids and other damp objects, i.e. towels, will eventually cause permanent damage should they be left unattended.

Everyday clean-up of cabinets can be done with a damp cloth and a dry cloth. Ensure you use a clean cloth every time when wiping down your cabinets, as foreign dirt, grease, and oils may inadvertently be transferred to the surface.

Cleaning melamine products:

Oils, grease, and other soils that do not respond to water can be removed with a solution of mild soap and water. The surface should be rinsed immediately with a clean, damp cloth and dried thoroughly with a soft cloth to avoid streaking or moisture seeping into the seams around the edges.

PLEASE NOTE: Never use abrasive cleaners, ammonia, bleaching agents, scouring pads or powdered cleaners on any type of cabinetry.

Cleaning cabinet hardware:

Brass and Silver cleaners are not recommended for cleaning handles. Some of these cleaning solutions contain harsh chemicals that may damage the finish on your handles.

Wash your hardware with a solution of warm water and a small amount of mild dish detergent. Dry your hardware and areas around the cleaned area immediately.

Hinges can be cleaned with a dry cloth or cotton-tipped swab.

