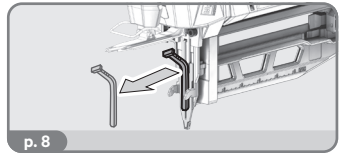
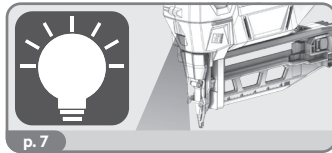
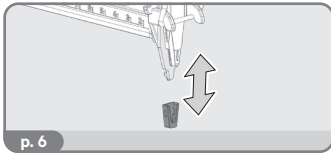
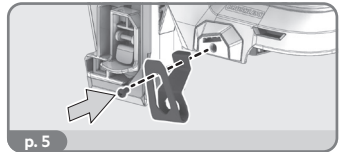
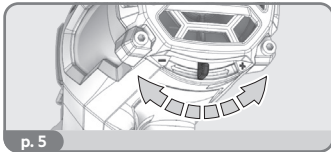
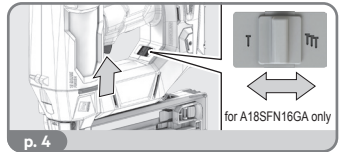
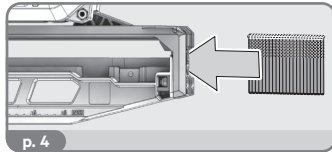
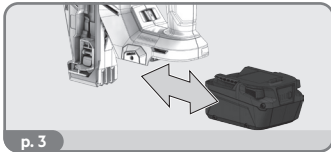
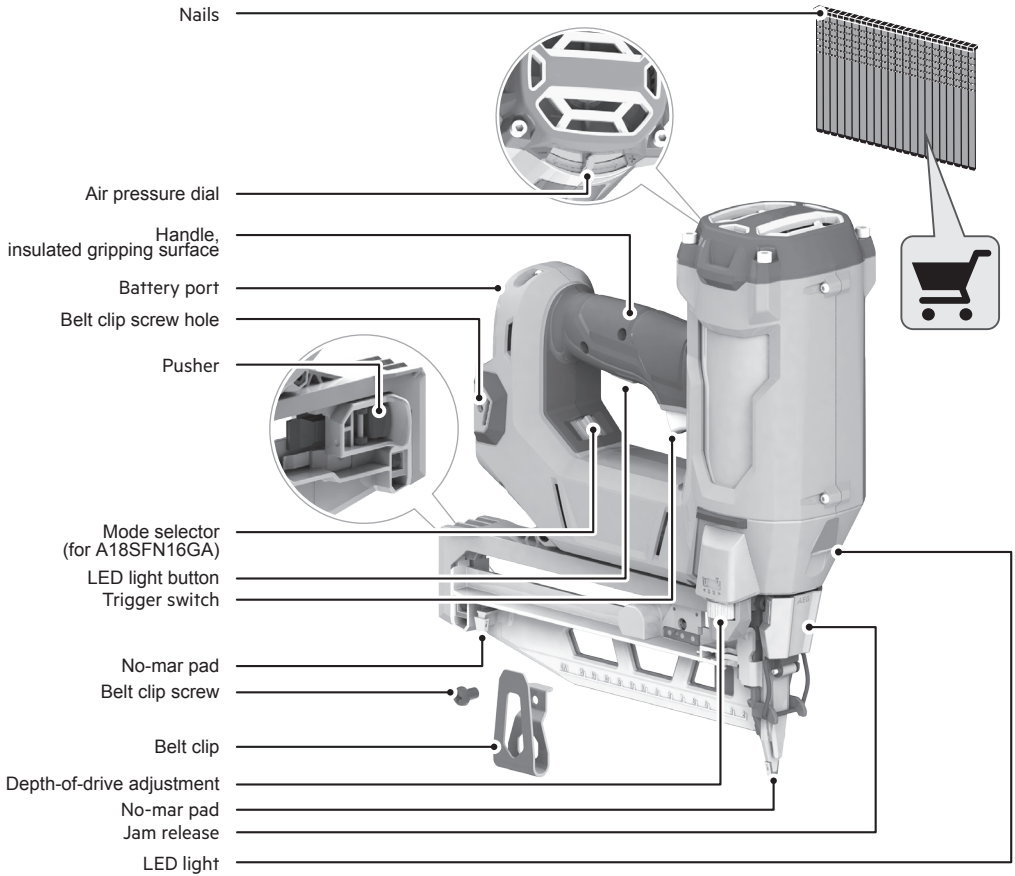
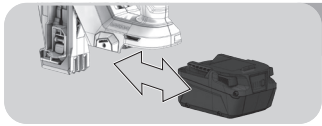


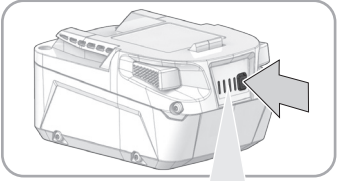
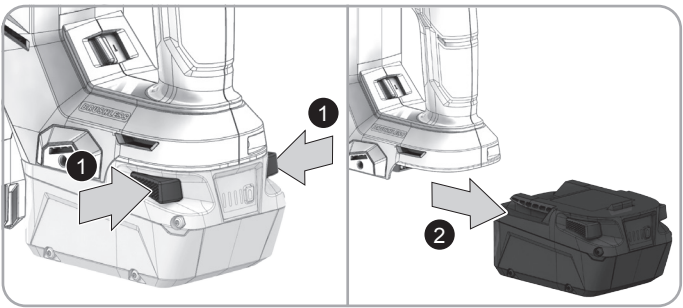
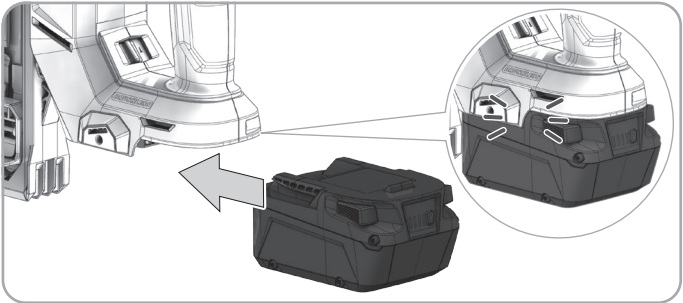
# AEG

**A18SFN16GA**  
**A18SFN16GANZ**  
Original instructions



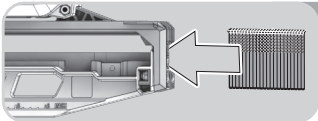


Remove the battery pack before starting any work on the product.

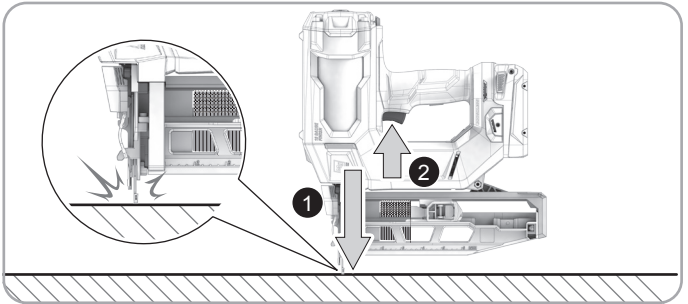
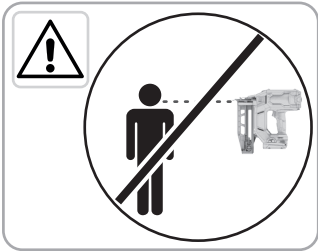
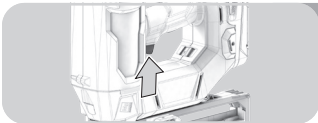
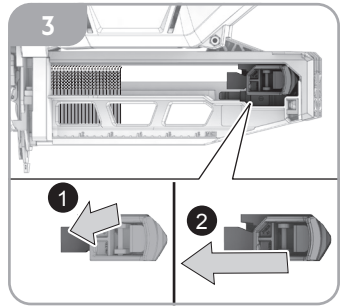
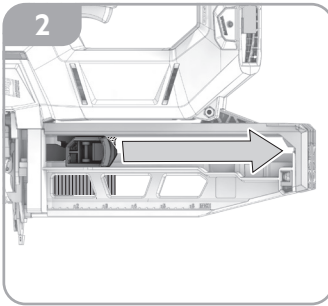
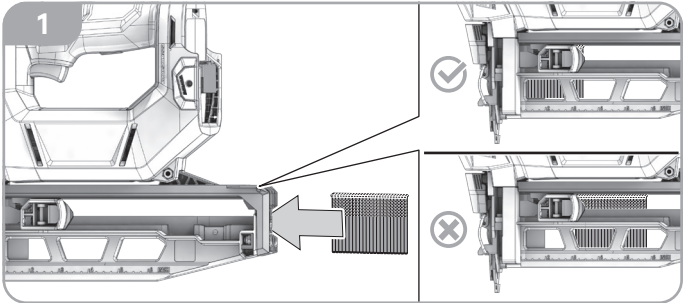


	75-100 %
	50-75 %
	25-50 %
	0-25 %

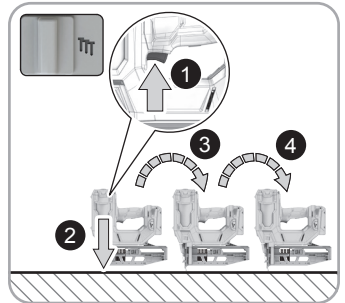
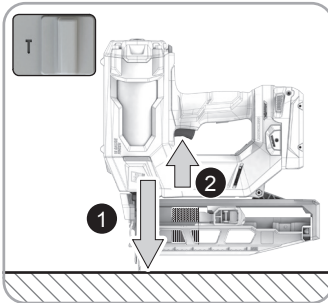


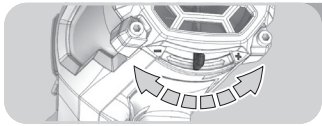


Remove the battery pack before starting any work on the product.

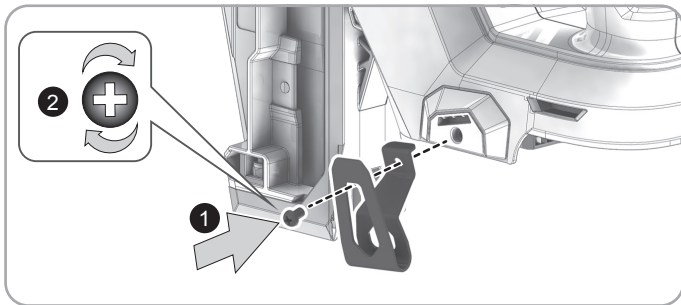
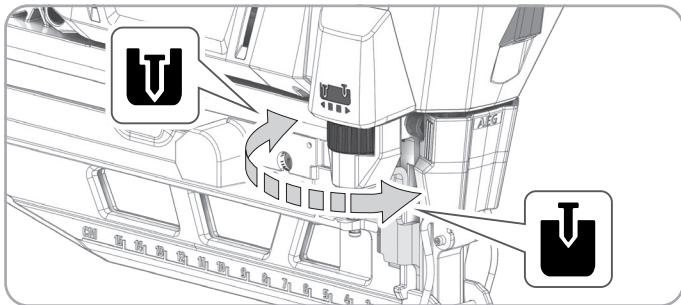
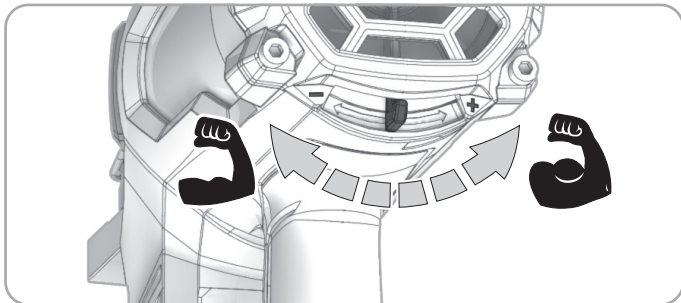


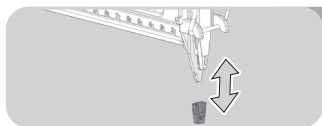
for A18SFN16GA only



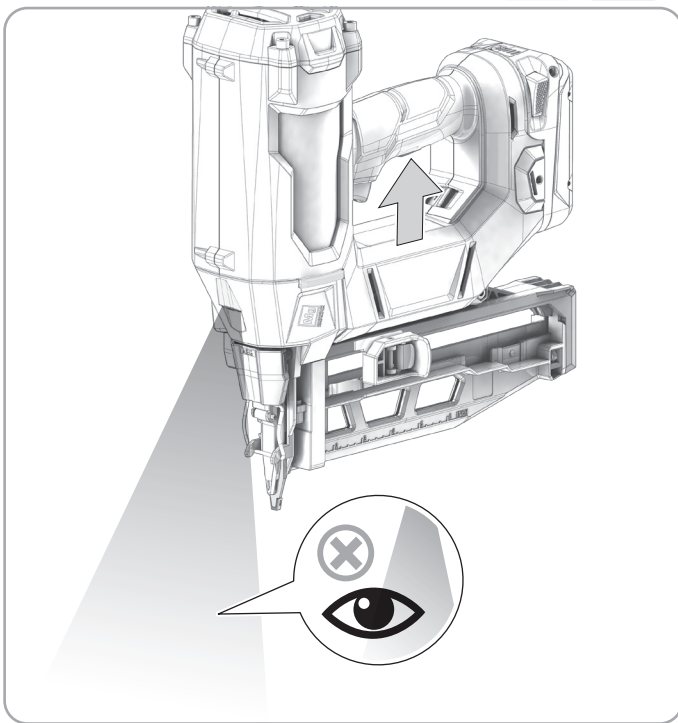
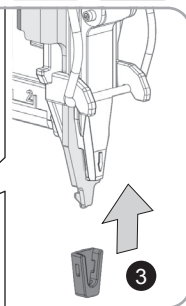
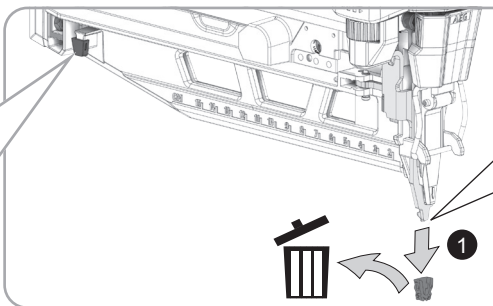
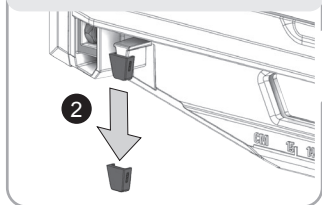


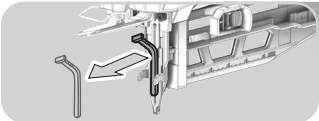
Remove the battery pack before starting any work on the product.



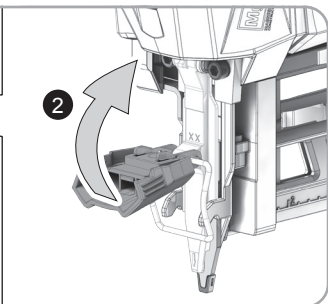
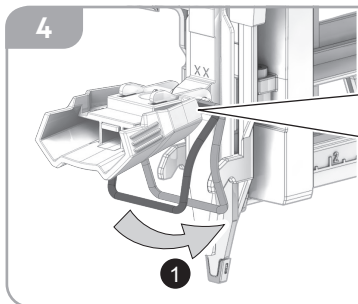
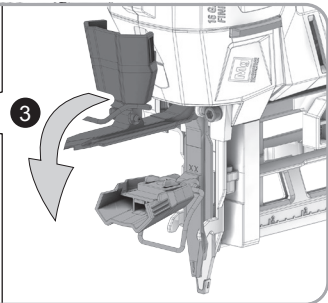
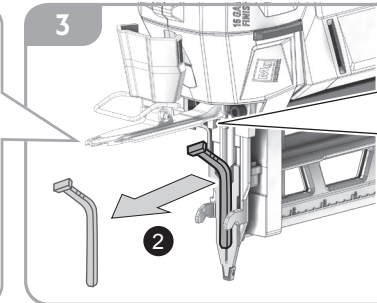
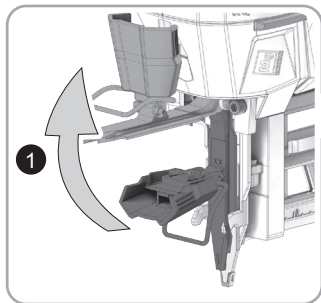
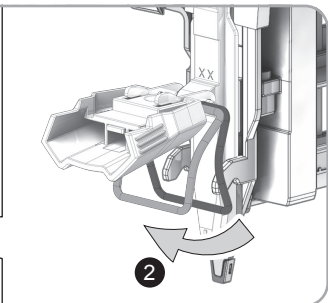
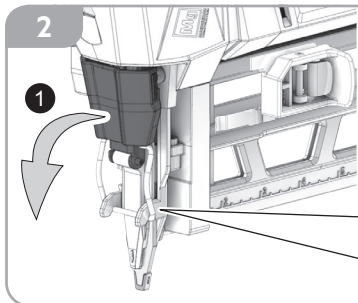
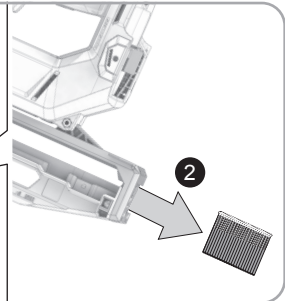
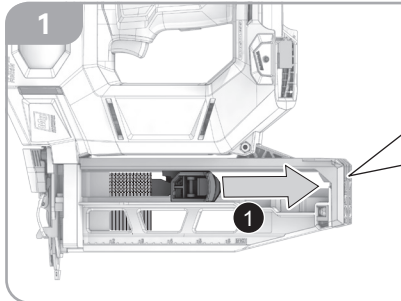


Remove the battery pack before starting any work on the product.





Remove the battery pack before starting any work on the product.



## TECHNICAL DATA

A18SFN16GA / A18SFN16GANZ

Type	Brad nailer
Battery voltage	18 V ---
Fastener type	16GA Brad nails
Diameter	1.6 mm
Length min./max	25 - 65 mm
Recommended cycle rate	700 / hour
Burst cycle rate (A18SFN16GA) – bump fire mode	2 / second
Burst cycle rate (A18SFN16GANZ)	1 / second
Magazine capacity	112 nails
Fastener range	25 to 65 mm
Weight without battery pack	2.6 kg

### Noise Information

Measured values determined according to EN 60745. Typically, the A-weighted noise levels of the tool are:

Sound pressure level / Uncertainty

$L_{pA}=83$  dB (A) /  $K_{pA}=3$  dB(A)

Sound power level / Uncertainty

$L_{WA}=94$  dB (A) /  $K_{WA}=3$  dB(A)

### Wear ear protection!

### Vibration Information

Vibration total values (triaxial vector sum) determined according to EN 60745.

Vibration emission value / Uncertainty

$a_h=3.6$  m/s<sup>2</sup> /  $K=1.5$  m/s<sup>2</sup>

### ⚠ WARNING!

The declared vibration total values and the declared noise emission values given in this instruction manual have been measured in accordance with a standardised test and may be used to compare one tool with another. They may be used for a preliminary assessment of exposure.

The declared vibration and noise emission values represent the main applications of the tool. However, if the tool is used for different applications, used with different accessories, or poorly maintained, the vibration and noise emission may differ. These conditions may significantly increase the exposure levels over the total working period.

An estimation of the level of exposure to vibration and noise should take into account the times when the tool is turned off or when it is running idle. These conditions may significantly reduce the exposure level over the total working period.

Identify additional safety measures to protect the operator from the effects of vibration and noise, such as maintaining the tool and the accessories, keeping the hands warm (in case of vibration), and organising work patterns.

## COMPATIBLE BATTERY PACKS (NOT INCLUDED)

L1820R	A18B4	A18FB6
L1820S	L1840R	L1860R
A18FB2	A18FB4	L1860R-X5
L1825R	L1850R	L1890R
L1830R-X5	A18FB5	

Use AEG 18V battery and charger only

**⚠ WARNING! Read all safety warnings, instructions, illustrations and specifications provided with this power tool.** Failure to follow all instructions listed below may result in electric shock, fire, and/or serious injury.

**Save all warnings and instruction for future reference.**

### NAILER SAFETY WARNINGS

**Always assume that the tool contains fasteners.** Careless handling of the nailer can result in unexpected firing of fasteners and personal injury.

**Do not point the tool towards yourself or anyone nearby.** Unexpected triggering will discharge the fastener causing an injury.

**Do not actuate the tool unless the tool is placed firmly against the workpiece.** If the tool is not in contact with the workpiece, the fastener may be deflected away from your target.

**Disconnect the tool from the power source when the fastener jams in the tool.** While removing a jammed fastener, the nailer may be accidentally activated if it is plugged in.

**Use caution while removing a jammed fastener.** The mechanism may be under compression and the fastener may be forcefully

discharged while attempting to free a jammed condition.

**Do not use this nailer for fastening electrical cables.** It is not designed for electric cable installation and may damage the insulation of electric cables thereby causing electric shock or fire hazards.

### ADDITIONAL SAFETY WARNINGS

The product is designed for single-hand use. Do not hold the product by the front of the magazine. Do not put hands, head, or other parts of your body near the bottom of the magazine where the fastener exits the product, as serious personal injury could be caused.

Always ensure that the workpiece contact is fully positioned above the workpiece. Positioning the workpiece contact only partially above the workpiece could cause the fastener to miss the workpiece completely and result in serious personal injury.

Do not drive fasteners near edge of material. The workpiece may split causing the fastener to ricochet, injuring you or a coworker. Be aware that the fastener may follow the grain of the wood, causing it to protrude unexpectedly from the side of the work material or deflect, possibly causing injury.

Keep hands and body parts clear of immediate work area. Hold workpiece with clamps when necessary to keep hands and body out of potential harm. Be sure the workpiece is properly secured before pressing the fastener against the material. The workpiece contact may cause the work material to shift unexpectedly.

Keep face and body parts away from back of the tool cap when working in restricted areas. Sudden recoil can result in impact to the body, especially when nailing into hard or dense material.

During normal use the product will recoil immediately after driving a fastener. This is a normal function of the product. Do not attempt to prevent the recoil by holding the nailer against the work. Restriction





to the recoil can result in a second fastener being driven from the nailer. Grip the handle firmly, let the product do the work and do not place second hand on top of product or near exhaust at any time. Failure to heed this warning can result in serious personal injury.

Do not drive fasteners on top of other fasteners or with the product at an overly steep angle as this may cause deflection of fasteners which could cause injury.

Always check the work area for hidden wiring, gas lines, water lines, etc., before using the product on such work area.

After using the product in the contact actuation mode, switch it back to the full sequential mode.

The driving depth of the fastener may be adjusted beyond air pressure. It is advisable to test the depth on a scrap workpiece to determine the required depth for the application.

Only fasteners matching the description in the product specifications table can be used with this product. Using incorrect fasteners may lead to jamming or other malfunctions.

Always remove the battery before adjusting the depth of drive.

Do not press the trigger while adjusting the depth of drive.

Always select full sequential firing mode before adjusting the depth of drive.

Do not point the product towards yourself or anyone nearby when adjusting the depth of drive.

Ambient temperature range for tool during operation is between 0°C and 40°C.

Ambient temperature range for tool storage is between 0°C and 40°C.

The recommended ambient temperature range for the charging system during charging is between 10°C and 38°C.

Ambient temperature range for battery during use is between 0°C and 40°C.

Ambient temperature range for battery storage is between 0°C and 20°C.

#### ADDITIONAL BATTERY SAFETY WARNINGS

**⚠ WARNING!** To reduce the risk of fire, personal injury, and product damage due to a short circuit, never immerse your tool, battery pack, or charger in fluid or allow fluid to flow inside them. Corrosive or conductive fluids, such as seawater, certain industrial chemicals, and bleach or bleach containing products, etc., can cause a short circuit.

Do not dispose of used battery packs in the household refuse or by burning them. AEG distributors offer to retrieve old batteries to protect our environment.

Battery packs that have not been used for some time should be recharged before use.

For an optimum lifetime, the battery packs have to be fully charged after use.

For battery pack storage longer than 30 days:

- Store the battery pack where the temperature is below 27°C and away from moisture.
- Store the battery packs in a 30% - 50% charged condition.
- Every six months of storage, charge the pack as normal.

#### Battery pack protection

The battery pack has overload protection that protects it from being overloaded and helps to ensure long life.

Under extreme stress, the battery electronics turn off the product automatically. To restart, turn the product off and then on again. If the product does not start up again, the battery pack may have discharged completely. Recharge the battery pack.

#### Transporting lithium batteries

Lithium-ion batteries are subject to the Dangerous Goods Legislation requirements.

Transportation of those batteries has to be done in accordance with local, national, and international provisions and regulations.

- Batteries can be transported by road without further requirement.
- Commercial transport of lithium-ion batteries by third parties is subject to Dangerous Goods regulations. Transport preparation

and transport are exclusively to be carried out by appropriately trained persons and the process has to be accompanied by corresponding experts.

When transporting batteries:

- Ensure that the battery contact terminals are protected and insulated to prevent short circuit.
- Ensure that the battery pack is secured against movement within the packaging.
- Do not transport batteries that are cracked or leaking.
- Check with the forwarding company for further advice.

#### SPECIFIED CONDITIONS OF USE

The nailer is intended to drive nails in soft materials such as wood.

This product is not suitable for fixing electric cables.

Do not use the product for any other purpose.

#### MAINTENANCE

Avoid using solvents when cleaning plastic parts. Most plastics are susceptible to various types of commercial solvents and may be damaged by their use. Use clean cloths to remove dirt, carbon dust, etc.

Use only AEG accessories and AEG spare parts. Should components need to be replaced which have not been described, please contact one of our AEG service agents (see our list of guarantee/service addresses).

If needed, an exploded view of the tool can be ordered. Please state the Article No. as well as the machine type printed on the label and order the drawing at your local service agents or directly at:

#### Techtronic Industries Australia Pty Ltd

PO Box 1065  
Mount Waverley VIC 3149  
Tel. no. 1300 234 797  
Australia

#### Techtronic Industries N.Z. Limited

PO Box 12-806  
Penrose AUCKLAND 1642  
Tel. no. 0800 234 797(0800 AEGPWR)  
New Zealand

#### SYMBOLS

	Read the instructions carefully before starting the product.
	CAUTION! WARNING! DANGER!
	Remove the battery pack before starting any work on the product.
	Accessory - Not included in standard equipment, available as an accessory.
	Wear eye protectors.
	Keep hands away.





Do not dispose of electric tools, batteries/rechargeable batteries together with household waste material. Electric tools and batteries that have reached the end of their life must be collected separately and returned to an environmentally compatible recycling facility. Check with your local authority or retailer for recycling advice and collection point.



Volts



Direct current



Regulatory Compliance Mark (RCM). Product meets applicable regulatory requirements.



## TROUBLESHOOTING



PROBLEM	POSSIBLE CAUSE	SOLUTION
Product does nothing or operates sluggishly	Inadequate lubrication.	Contact Authorised Service Centre for product lubrication.
	Worn or damaged O-ring seals or bumper.	Contact Authorised Service Centre for repair.
	Exposure to low temperatures.	Allow product to warm to proper operating temperature.
	Exposure to high temperatures.	Allow product to cool to proper operating temperature.
Product jams frequently	Incorrect fasteners	Verify that fasteners are of the correct size.
	Damaged fasteners	Replace fasteners.
	Loose magazine	Tighten screws.
	Dirty magazine	Clean magazine.
	Worn or damaged driver	Contact Authorised Service Centre for repair.







# AEG



[www.aegpowertools.com.au](http://www.aegpowertools.com.au)  
[www.aegpowertools.co.nz](http://www.aegpowertools.co.nz)

**Techtronic Industries Australia Pty Ltd**

31 Gilby Road, Mount Waverley,  
VIC, 3149, Australia

**Techtronic Industries N.Z. Limited**

Unit C, 70 Business Parade South,  
Highbrook, Auckland 2013, New Zealand

961001866-02A

*AEG is a registered trade mark used under  
license from AB Electrolux (publ).*

