








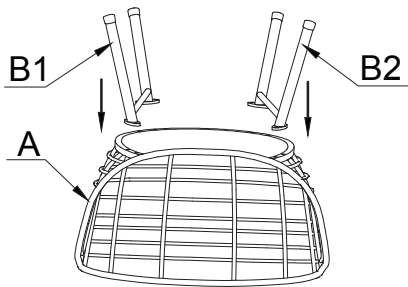
# **BAYFIELD HALF EGG CHAIR**

Powder coated steel frame  
Resin weaved wicker  
Padded Polyester cushions  
Size: 82W x 81D x 81H cm  
Max. Weight capacity - 120kgs

A		1
B1		1
B2		1
C		8
D		8
E		8
F		1

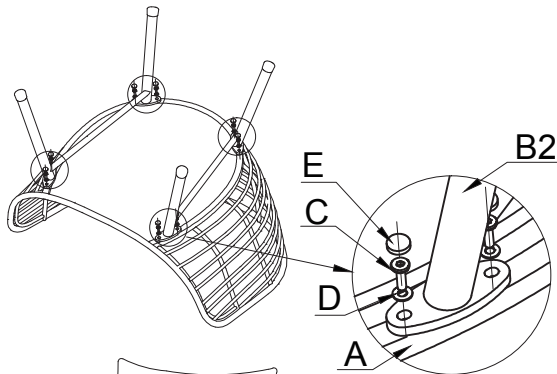
## BAYFIELD HALF EGG CHAIR Assembly Instructions item No.:0584094

### SETTING UP YOUR HALF EGG CHAIR



#### STEP 1

Join the Chair Base (part B1 & part B2) and Back Rest(part A) together.



#### STEP 2

Use Bolts(C) and Washers(D) for the eight holes at the rear of the chair. Secure loosely with Allen Key(part F). And using the Caps(E) to cover all of the bolt heads.



#### STEP 3

Turn the chair over and put the cushions on the chair. It is now ready for use.