

# STEIN

## EMILIO SHOWER UNIT 2-SIDED AND ALCOVE

---



0224

### **IMPORTANT!**

1. When you receive your Emilio Square Shower package, please check for any freight damage.
2. If damage has occurred, advise your supplier within 8 hours.
3. Do not install any faulty product as this will invalidate later claims.

## BEFORE YOU START

1. Stein provides “Acrylic Pre-Install” Specifications for Build preparation, plumbing, tray and liner specs to ensure all steps have been adhered to prior to this current Acrylic Shower Installation.
2. Stein provides “Tile Pre-Install” Specifications for Build Preparation, Plumbing, QuickTile Tray Bases, Waterstops, and Waterproofing details. Shower Min to Max range is used in Tile applications.
3. Read these instructions, familiarise yourself with installation, tools required, and materials used.

## HEALTH AND SAFETY



- Unpack glass, stand on soft packing on floor and walls prior to assembly.
- Do not rework glass panels as toughened glass will explode without warning.
- Don't strike an edge or corner of glass as this may explode or be unusable.
- Use two persons where heavy glass lifting is required.
- Wear appropriate protective clothing and eye protection during installation.
- Mark gas, waterpipes & electrical wire positions to ensure these are not touched.

## WARRANTY

- This covers faulty goods but not breakages. Visit [stein.nz](http://stein.nz) for information.
- Compliance with Acrylic or Tile Pre-Install Specifications and these instructions are essential for a valid warranty.

## ATTENTION



- The Tray must be installed level as this base affects all shower alignments.
- Walls must be flat and plumb. A variation of 3mm to plumb within the shower height is a range that will enable adjustments to be readily obtained.
- 3- Sided Alcove Showers

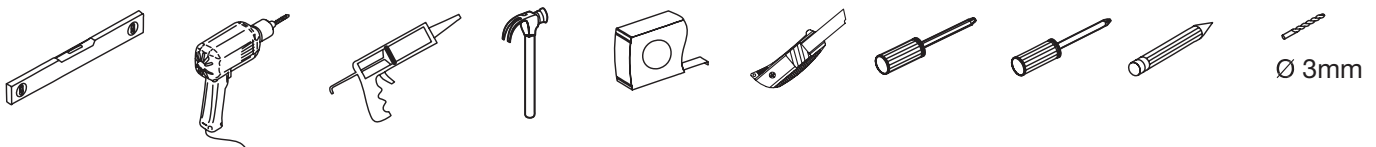
**Acrylic:** Liner-to-Liner Acrylic specs is on page 5 of the Acrylic Tray & Liner instructions.

**Tile:** Tile-to-Tile specs are the same as Acrylic Liner-to-Liner specs.

Solid fixing of wall channels: Double studs are required with outside edge lined up to tray outside.

It is the installers responsibility that the installation complies with all council regulations.

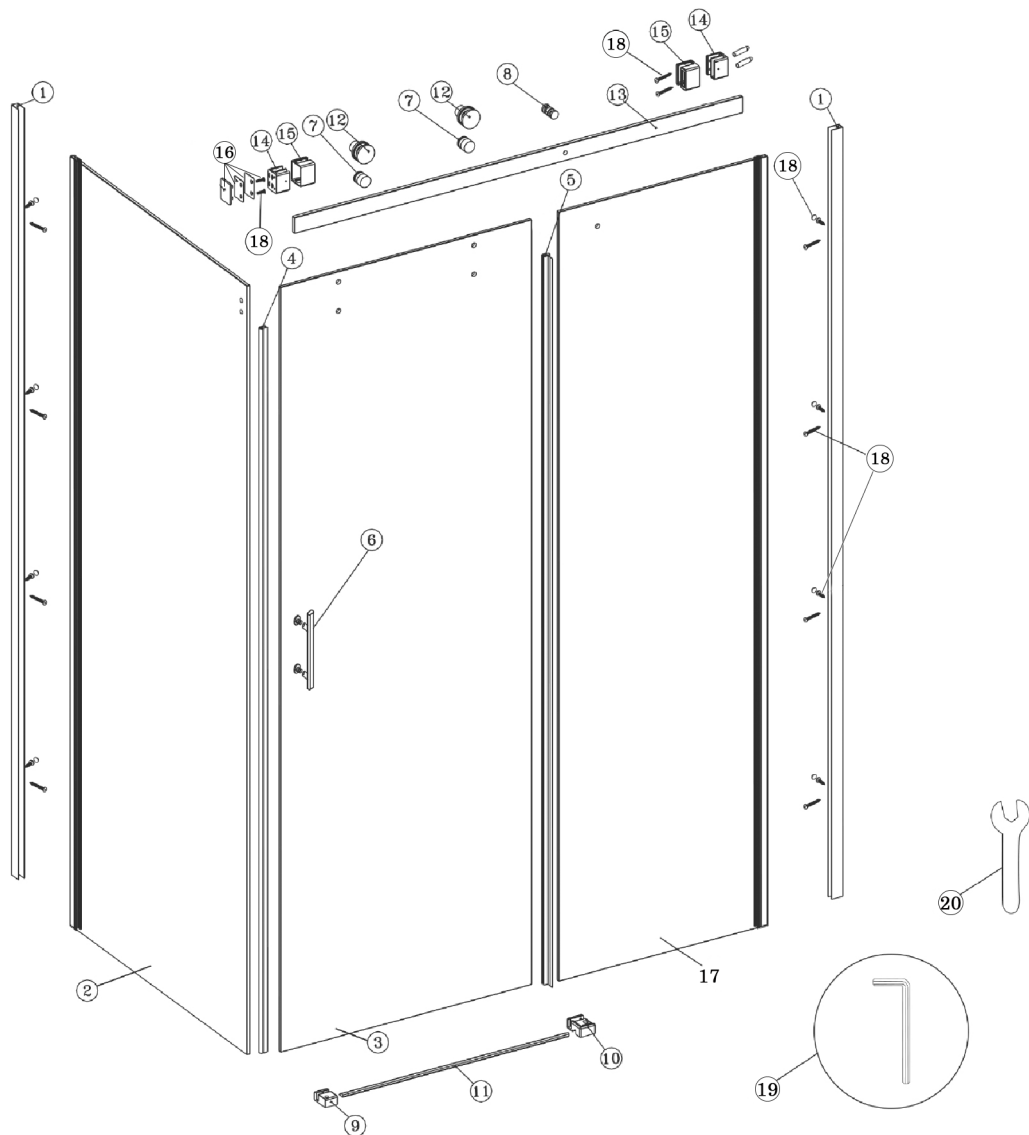
## TOOLS REQUIRED (NOT SUPPLIED)



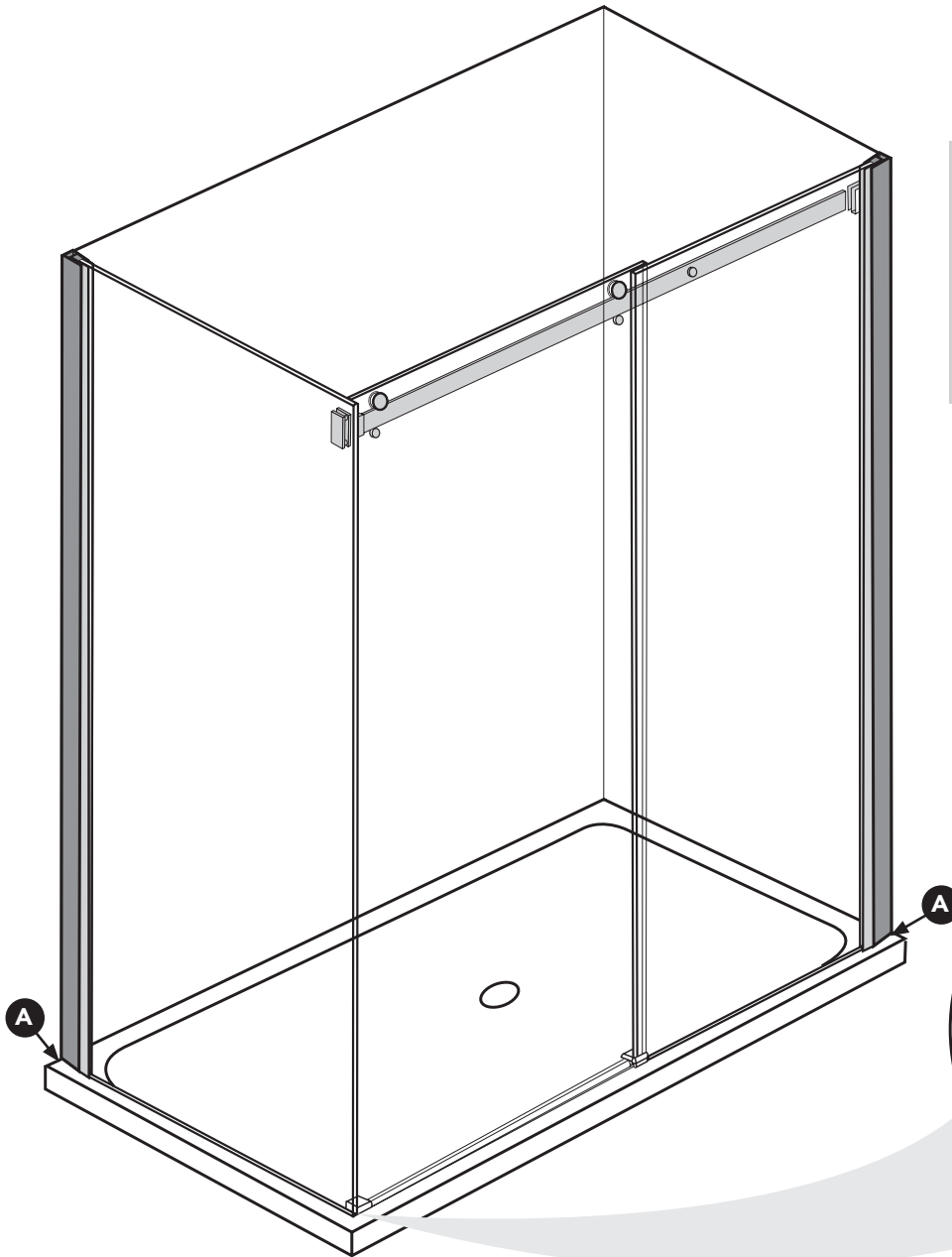
## MATERIALS REQUIRED (NOT SUPPLIED)

- Rags and suitable cleaning materials
- Sika Silaflex NG Translucent

**WE RECOMMEND A TRADESMAN FAMILIAR WITH THIS TYPE OF INSTALLATION**

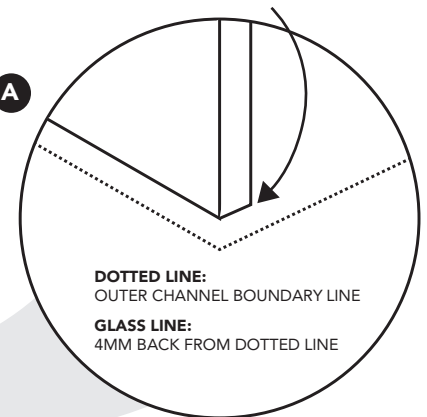


REF	DESCRIPTION	PART NO.	QTY	REF	DESCRIPTION	PART NO.	QTY
1	Wall channels	PAR1027	2	14	Rail mounting brackets (L+R set)	PAR1039	2
2	Return panel		1	15	Mounting bracket covers	PAR1044	2
3	Door panel		1	16	Screws M5 x 12 x 2	Return panel fixing set PAR1043	1
4	Buffer strips	PAR1028	1		Wall plate gaskets x 2		
5	Buffer seal	PAR1029	1		Return panel fixing plate		
6	Handle set	PAR1037	1	17	Fixed front panel		1
7	Lock in knob sets	PAR1041	2	18	Screws M4 x 8	Screw pack PAR1036	8
8	Front glass fixing	PAR1042	1		Screws M4 x 35		8
9	End blocks (L+R set)	PAR1032	2		Screw cover caps		8
10	Sliding blocks (L+R set)	PAR1035	2		C/S Screws ST4 x 35		6
11	Water bar	PAR1031	1		Wall plugs (concrete)		14
12	Roller sets	PAR1040	2	19	Allen wrench		1
13	Rail	PAR1030	1	20	Wrench		1



**NOTE:** All measurements assume the floor is level, the walls are plumb and all surfaces are flat. Any variation must be adjusted for in the measurements provided.

**IMPORTANT DETAIL**



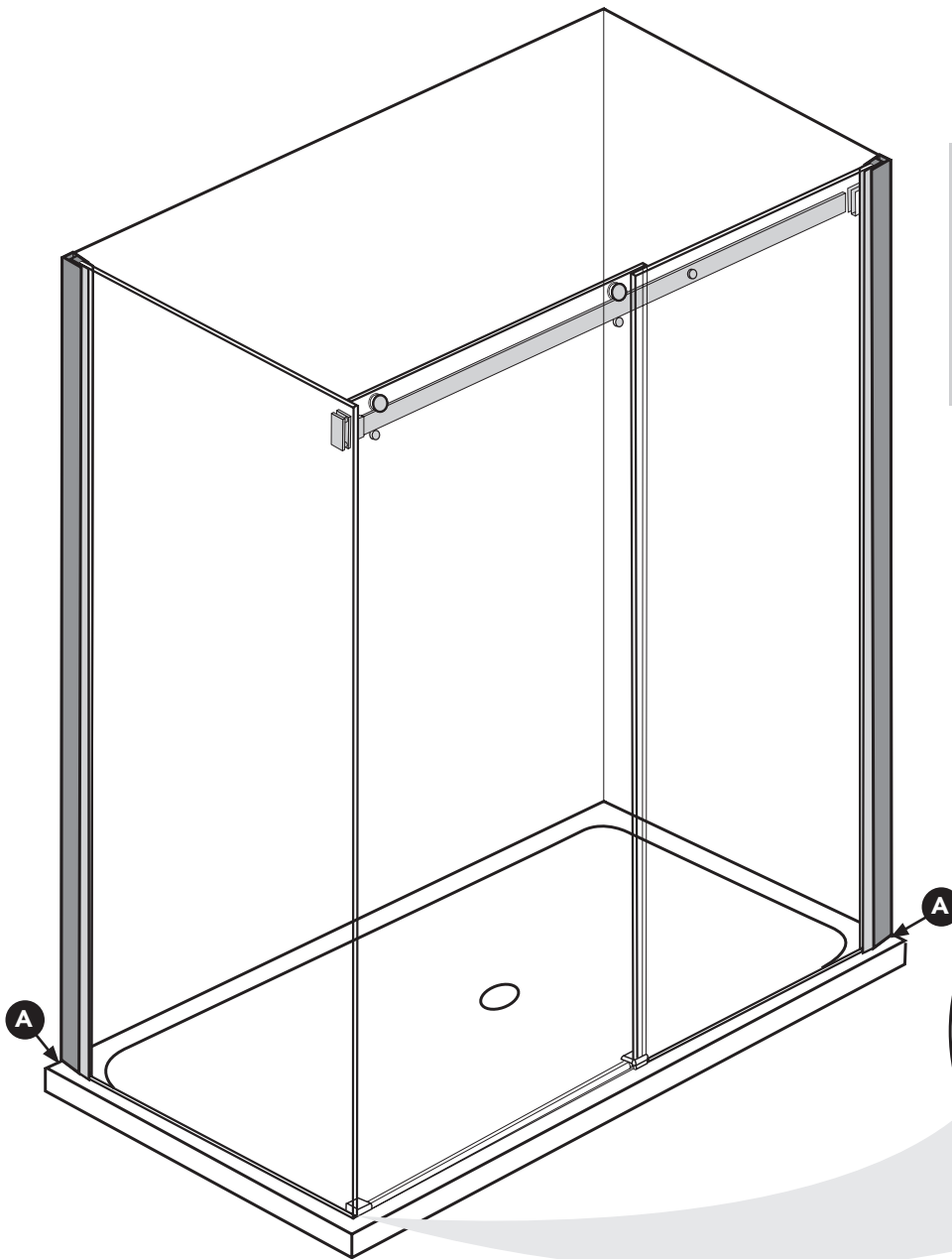
**OPTION A: EMILIO ACRYLIC SHOWER (APPLIES TO 1200 X 900)**

**Emilio Acrylic Shower with Newline Acrylic Tray and ABS/Acrylic Liner**

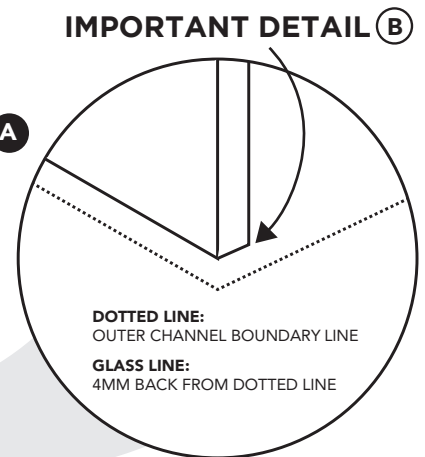
Set out the Emilio Shower by marking out the outside line of the wall channels (A) 13mm in from the outside edge of the tray. This will allow for walls leaning or bowed inwards by 5mm. Greater variances will need to be calculated using the Min/Max table below.

**NOTE:** Positioning of return panel must follow as per circled "Important Detail".

<b>MINIMUM / MAXIMUM TABLE</b>		
<b>SHOWER TYPE</b>	<b>FRONT DOOR PANEL (A) MIN/MAX</b>	<b>RETURN PANEL (B) MIN/MAX</b>
1200 x 900	1169 - 1184mm	869 - 884mm



**NOTE:** All measurements assume the floor is level, the walls are plumb and all surfaces are flat. Any variation must be adjusted for in the measurements provided.



**OPTION B: EMILIO TILE SHOWER WITH QUICKTILE TRAY**

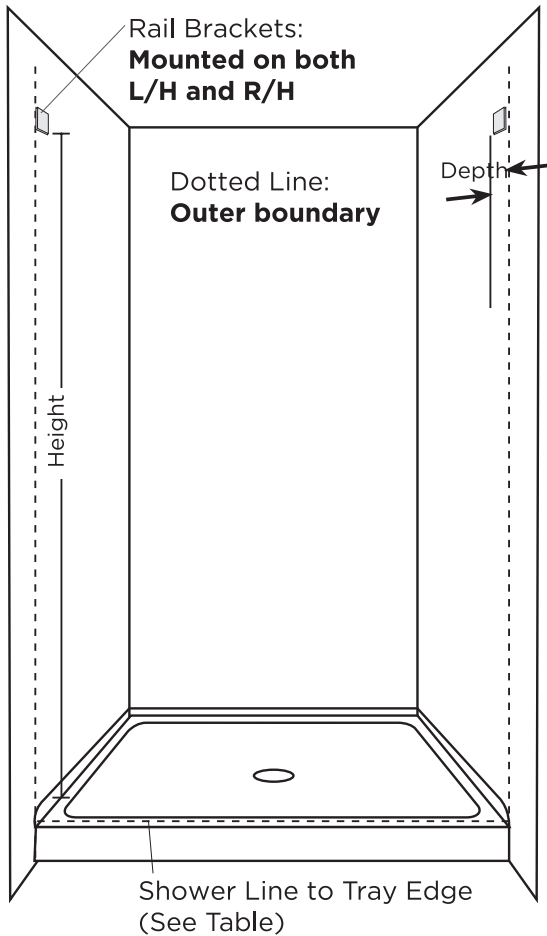
1. Use the middle of Minimum to Maximum range. Mark out position on the tiles.
2. Recheck this against any base variations to level or walls out of plumb and adjust if necessary..
3. The boundary line will be the wall channel outside position (A).
4. Mark the return glass panel leading edge point as per adjacent circled detail (B).

**MINIMUM / MAXIMUM TABLE**

SHOWER TYPE	FRONT DOOR SET MIN/MAX	RETURN PANEL MIN/MAX	QUICKTILE TRAY
1200 x 900	1169 - 1184mm	869 - 884mm	1200 x 900

**PENETRATION OF WATERPROOFING UNDER TILES**

Waterproofing warranties are potentially void with penetrations of membrane. Bond wall profiles with Bostik V60. Minimum curing 24 hours (2mm to 3mm). Curing is by atmospheric moisture absorption (approx. 7mm in 7 days).



**EMILIO 3-SIDED ALCOVE (1200 DOOR SET)**  
WITH TILE BASE AND ACRYLIC BASE APPLICATIONS

The following table covers the door size with the Minimum and Maximum range. Care must be taken if using the minimum or maximum measurements as discrepancies in the walls or base may not allow for this.

SHOWER DOOR TYPE	FRONT DOOR PANEL MIN/MAX
1200 Door	1155 - 1180mm

SHOWER LINE TO TRAY EDGE	
Acrylic Tray	12mm
Quicktile Tray Hob	30mm

**NOTE:** All measurements assume the floor is level, the walls are plumb and all surfaces are flat. Any variation must be adjusted for in the measurements provided.

**TILING NOTE:** Refer to bottom of Page 6 regarding penetrating of waterproofing & bonding of wall channels to the tiles.

This is a brief overview of how to set up a door assembly only. This runs in conjunction with the general instruction sheet.

- Step 1** Establish an outer boundary line across the base and up each wall (use the 'Shower Line to Tray Edge' table above).
- Step 2** On the side of the fixed glass fasten the wall channel (1) (Refer Items 1.1 and 1.2, Page 8).
- Step 3** Place front fixed glass panel in position (17) (Refer item 2, Page 8).
- Step 4** Fix the wall mounted bracket (14) in position as detail (3.2 - A1 detail, Page 9).

**Next Step** To replicate the mounting point on the opposite side for the rail.

- A:** Measure the installed rail bracket position back from the outer boundary line.
- B:** Measure the height from the base to rail bracket.
- C:** Mark A and B on opposite side. Hold the bracket on the marked wall with the rail in place on both sides and double check that the rail is level. Mark the door side 2mm lower to ensure door remain shut.
- E:** Place the wall bracket in position and mark two holes on the wall. Pre-drill the wall and fasten in position.
- F:** Place the rail in position and with front glass and attach this (8). Refer items (3.3 detail C) on Page 9.

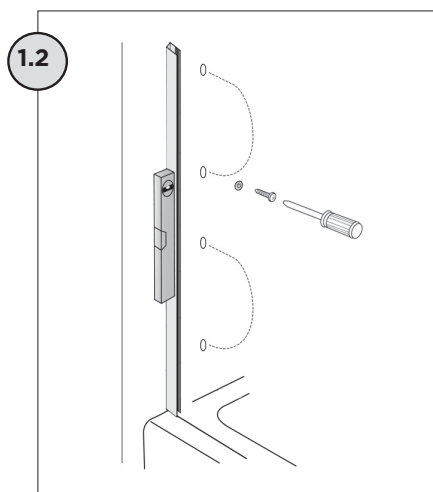
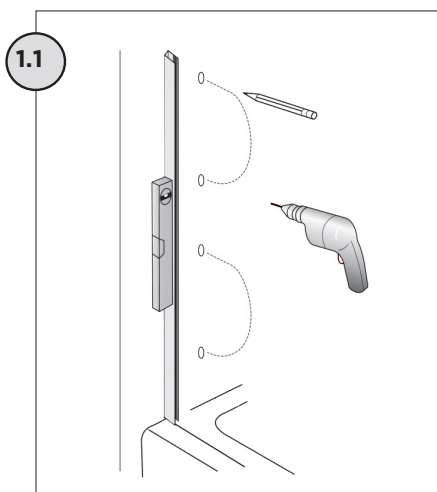
All other installation steps can be now followed in the general instructions eliminating the return panel details that do not apply.

**Identify the specific Layout Plan applicable to your specific shower. Use the correct Layout Plan in conjunction with the installation instructions. Mark out the wall channels taking into account the guidance notes.**

**1.1 Acrylic Install:** Pre-drill 2mm lead holes in the liner matching to wall channels.

**Tile Install:** Bond the wall channels to the tiled walls with Bostik V60 (refer to bottom of page 5 regarding “Penetrating of Waterproofing”).

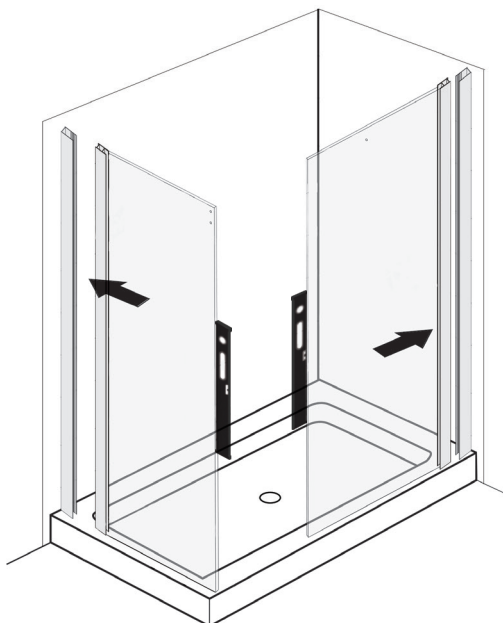
**1.2** Apply silicone to the back of the channel and fix in place with the M4 x 35 screws ensuring that the channel remains plumb.



**2** A. Insert the return panel (2) and fixed front panel (17) into the wall channels (1).

**TILING NOTE:** Place 10mm wide thin clear plastic strips as isolation packers at 90 degrees under the fixed glass. Finally before finishing with silicone, trim the excess with a knife.

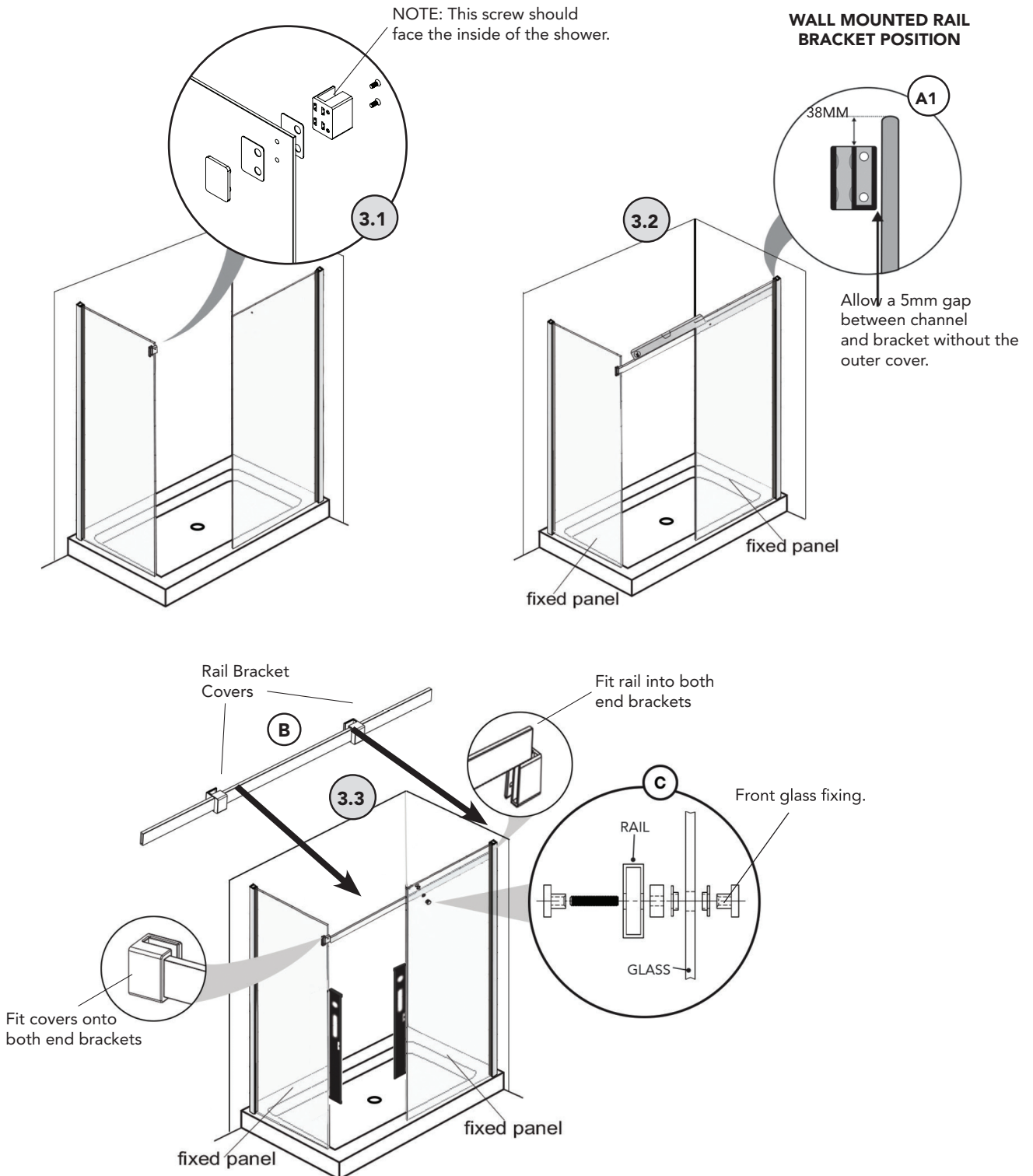
B. Plumb leading edge of glass. Pack under glass as required.





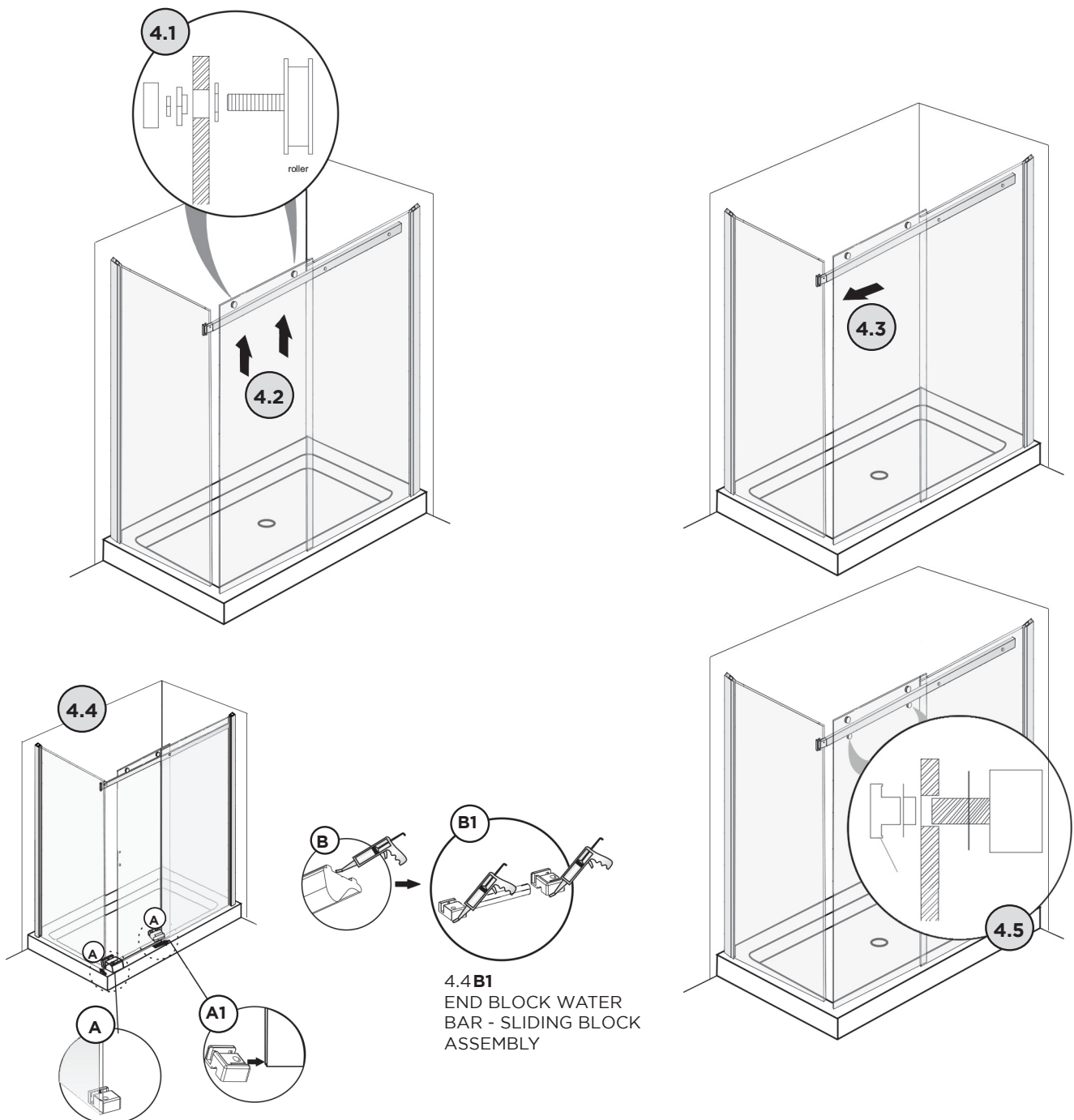
- 3.1** Install rail bracket (14) with return panel fixing set (16).
- 3.2** On the wall mark position of the rail mounting bracket (14) 38mm down from the top of the glass and 5mm out from the wall channel (Diagram A1). Place the rail (13) into the bracket at return panel and hold up the rail with the wall bracket (14) to marks. If level mark 2mm above to achieve a slight fall towards door shutting. Fasten bracket to wall.
- 3.3** Insert rail (13) complete with LH and RH mounting bracket covers (15). Install front glass fixing (8). Plumb the return panel, tighten the rail bracket allen keys and slide the covers in place.

**ENSURE A PLASTIC GLASS PROTECTOR IS USED BETWEEN ALL METAL PARTS AND THE GLASS**

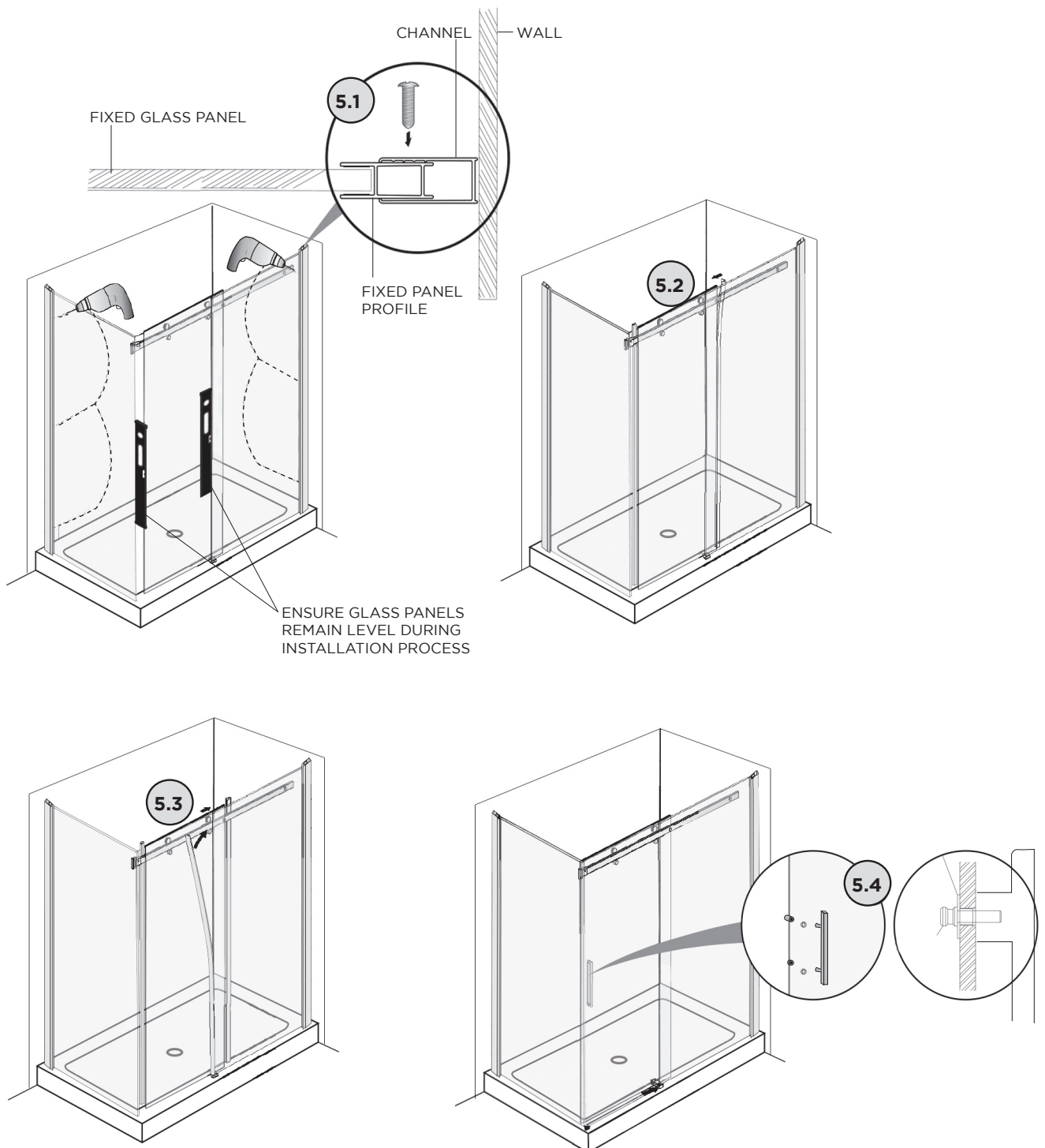




- 4.1** Install the roller sets (12) to door panel (3). Rollers should be on the outside of the door.
- 4.2** Hang the door on the rail from inside of the shower.
- 4.3** Carefully slide the door toward the return panel and check the gap between door and return panel is even. Adjust if necessary using offset in rollers or adjustment from the rail support.
- 4.4** Bond the following parts to the tray with Silicone. Sliding block (10) slotted into the glass front panel edge and the waterbar (11) positioned parallel to the outside edge of the tray going across to the end block (9) against the return panel. Tape in position with tape and allow 24 hours minimum for this to cure.
- 4.5** Install lock in knobs on the door & tighten rail fixings.

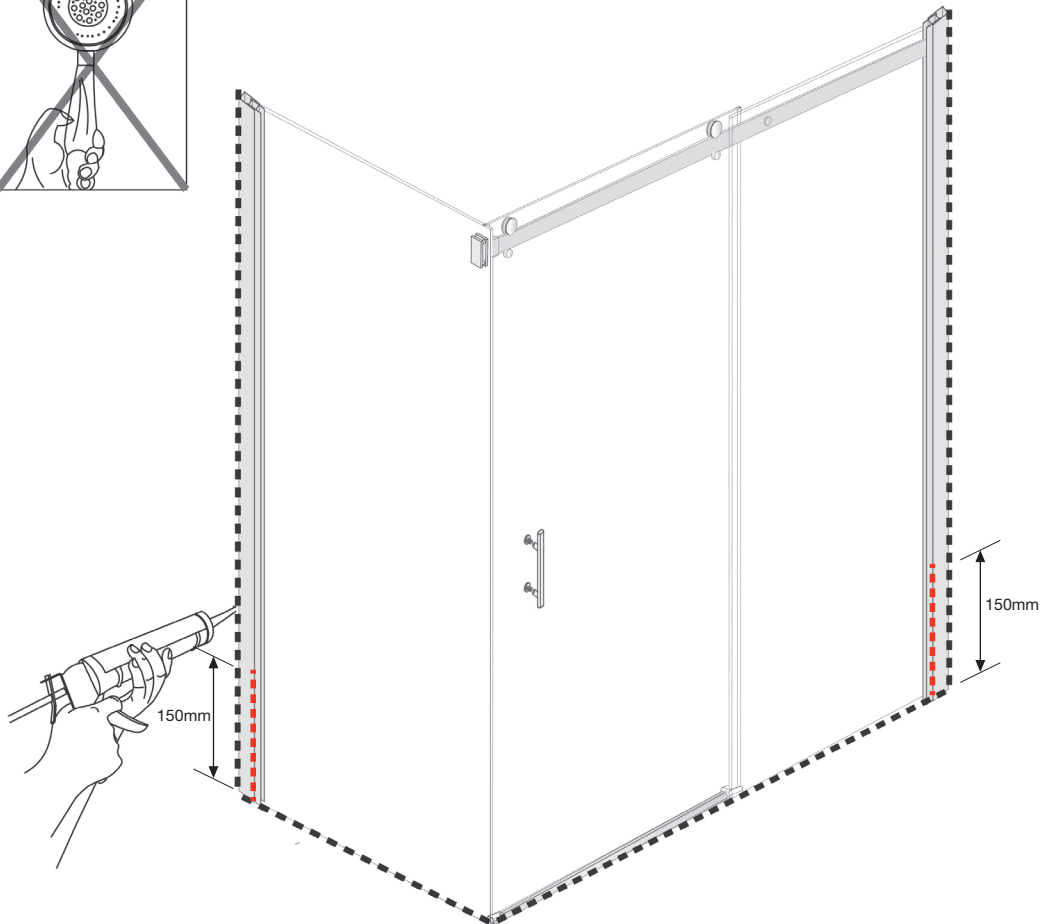
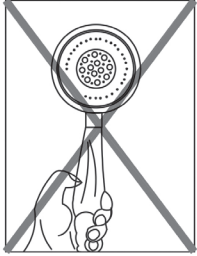


- 5.1** Plumb the ends of the glass. On the inside of shower drill 3.2mm holes through both the fixed panel profiles and into the wall channels (NOTE: Ensure that the chosen position avoids drilling through the glass - see Diagram 5.1 ). Screw together using M4 Screws (21). Cover the screws with screw cover caps (22). Cover the screws with screw cover caps (22).
- 5.2** Install buffer strips (4) onto the leading edge of the door panel.
- 5.3** Install vertical buffer seal (5) onto the back edge of the door panel.
- 5.4** Install the handle set (6) with the locking screws on the inside of the shower.



- 6 Apply high quality neutral cure silicone to the outside.  
**DO NOT USE SHOWER FOR 24 HOURS**

**24 HOURS**



**Silicone is not used on the inside of the shower screen because water can build up over time within the wall channel and leak out of the shower area. The screen is designed to allow the water to return into the shower area, if any is present. SCREENS THAT ARE SEALED ON THE INSIDE WILL VOID WARRANTY.**

## CONTACT

**STEIN**

54 Unutoto Place, Tauriko, Tauranga, 3171

**Freephone:** 0800 002 299

**Phone:** 07 928 9990

**Email:** [info@stein.co.nz](mailto:info@stein.co.nz)

**stein.nz**