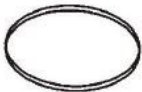







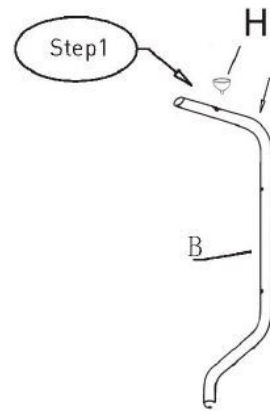
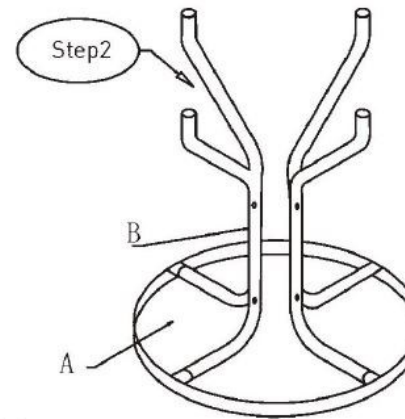


ASSEMBLY INSTRUCTION BISTRO 3PCE SETTING

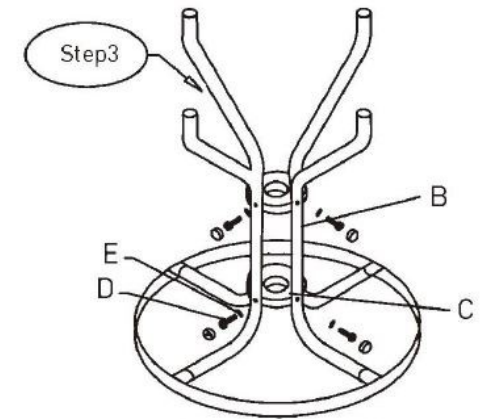
ITEM	PARTS	QTY(PCS)	PART NAME
A		1	GLASS WITH FRAME
B		4	LEGS
C		2	SUPPORT RING
D	 M6*35	8	BOLT
E		8	WASHER
F		1	ALLEN KEY
G		8	BOLT CAP
H		4	MAT GRAIN



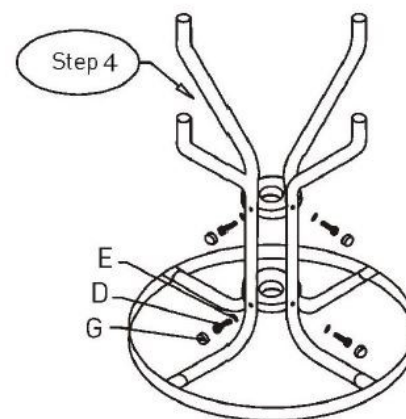
Insert mat grain [H] into four legs [B].



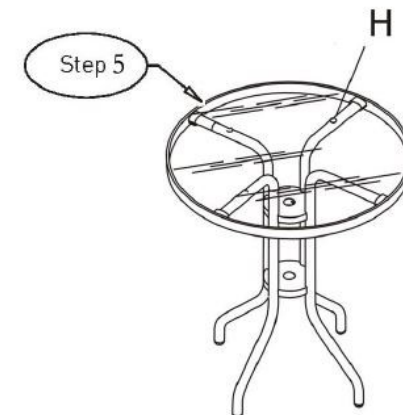
Insert four legs [B] into the plastic parts in table rim [A].



Connect the four legs [B] with the support ring [C] and secure using bolt [D] and washer [E]. Do not tighten until all bolts are in position.



When all the bolts are in position, tightly secure using Allen Key [F]. Then insert the bolt caps [G].



Turn over the table and position as desired.
Your table is now ready for use.