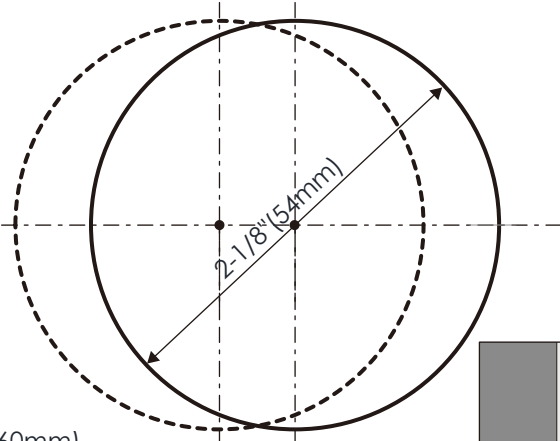
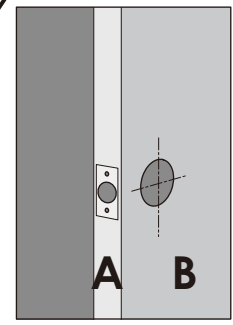


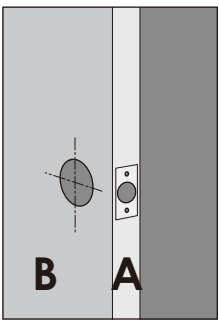
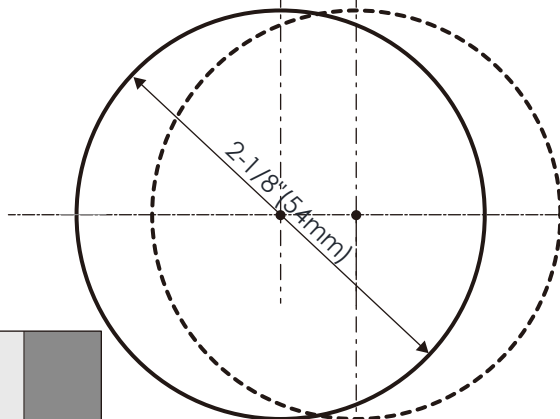
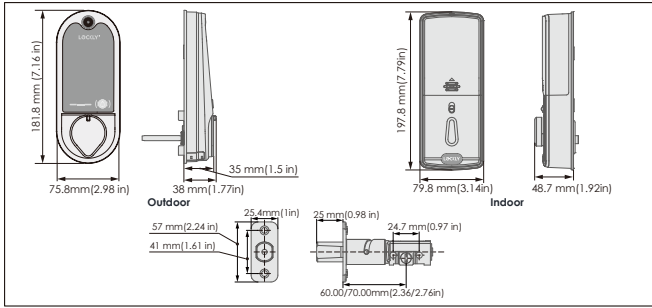
Door edge



Adjust according to the door thickness  
1-3/8"~2" (35mm~50mm)

2-3/8" (60mm)  
2-3/4" (70mm)





Adjust according to the door thickness  
 $1\text{-}3/8'' \sim 2''$  (35mm ~ 50mm)

