

INSTALLATION, OPERATION & MAINTENANCE INSTRUCTIONS

FOR EVERDURE RANGE HOODS



Models:

RBES622

RBES62B2

EVERDURE.

EVERDURE.

INSTALLATION, OPERATION AND MAINTENANCE INSTRUCTIONS FOR EVERDURE RANGE HOODS

RBES622 and RBES62B2

CONGRATULATIONS

Welcome to the Everdure Kitchen Community and thank you for choosing one of our many fantastic cooking appliances. We are confident that you will now be able to meet your cooking needs. Before you use the cooktop we strongly recommend that you read through the whole user manual which provides the description of this product and the proper use of its functions. To avoid the ever-present risks involved with using an electrical appliance it is vital that the appliance is installed correctly and that you read the safety instructions carefully to avoid misuse and hazards.

It is important that you retain these instructions and your proof of purchase along with any other important documents about this product for future reference. Due to continual product development, Everdure reserves the right to alter specifications or appearances without notice.

CONTENTS

IMPORTANT SAFETY INSTRUCTIONS	1
APPLIANCE DETAILS	2
WHAT IS SUPPLIED.....	2
WHAT MAY BE NEEDED FOR INSTALLATION	2
INSTALLATION INSTRUCTIONS.....	3-6
OPERATING INSTRUCTIONS.....	7
LEDS	8
CLEANING	8
TROUBLESHOOTING	8

It is important that you retain these instructions, proof of purchase as well as other important documents about this product for future reference.

Due to continual product development, Everdure reserves the right to alter specifications or appearances without notice.

Remove all packaging and dispose responsibly – recycle where facilities are available.

IMPORTANT SAFETY INSTRUCTIONS

IMPORTANT: Read the assembly instruction section and safety precautions of this booklet carefully before removing the contents of this carton.

1. In certain circumstances electrical appliances may be a safety hazard.
2. This appliance is not intended for use by persons (including children) with reduced physical, sensory or mental capabilities, or lack of experience or knowledge, unless they have been given supervision or instruction concerning the use of the appliance by a person responsible for their safety. Children should be supervised to ensure that they do not play with the appliance.
3. Do not check the status of the filters whilst the cooker hood is operating.
4. Do not touch the light bulbs after use.
5. Do not disconnect the appliance with wet hands.
6. Do not disconnect the power supply by pulling on the cable.
7. Do not flambé underneath the range hood.
8. Avoid free flame, as it may cause damage to the filters and can be a fire hazard.
9. Unplug the appliance before carrying out maintenance, cleaning or replacing lamps.
10. If the power cord is damaged, it must be replaced by the manufacturer, an authorised service centre or similarly qualified persons to avoid a hazard.
11. For indoor use only.
12. It is recommended to operate the range hood prior to cooking.
13. It is recommended to leave the range hood in operation for 15 minutes after cooking is terminated in order to completely eliminate cooking vapours and odours.
14. Turn off the range hood when not in use.
15. Do not use the range hood if it is damaged, especially the supply cord and the case.
16. Do not immerse the range hood in liquid.
17. The exhaust air must not be discharged into a flue which is used for exhausting fumes from an appliance burning gas or other fuels.
18. Regulations concerning the discharge of air have to be fulfilled.
19. There shall be adequate ventilation of the room when the range hood is used at the same time as appliances burning gas or other fuels (not applicable to appliances that only discharge the air back into the room).
20. Clean the surface of the cooker hood regularly using a cloth moistened with denatured alcohol or a non-abrasive liquid detergent.
21. There is a fire risk if cleaning is not carried out in accordance with the instructions.
22. The 600mm units are intended for use above hobs that are 600mm wide and the 900mm units are intended for use above hobs that are 900mm wide.
23. The range hood must be mounted at a minimum distance of 60cm above the cooking surface.
24. **CAUTION:** Accessible parts may become hot when used with cooking appliances.
25. **Warning:** Failure to install the screws or fixing device in accordance with these instructions may result in electrical hazards.
26. The power plug shall remain accessible after installation.

APPLIANCE DETAILS

RBES622 and RBES62B2

Voltage:	220-240V ~50Hz
Lamp Max:	1 x 2W LED
Rated Input Power:	202W

General Information

Before installing and operating the rangehood, carefully read the following important information regarding installation safety and maintenance. Keep this information booklet accessible for further consultations. The appliance has been designed to exhaust cooking fumes externally, or it may be used as a re-circulating rangehood (Filters required for recirculating type).

Before installation, please ensure that the following have been supplied and that the tools listed below are readily available.

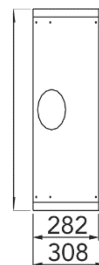
WHAT IS SUPPLIED

- Rangehood (including plug (re-circulating) and one way valve (flued)) x 1
- Installation kit (bolt x 6, washer x 6, long wood screws x 4, short wood screws x 2, short screws x 2, plastic wall plugs x 4, mounting bracket x 2) x 1
- Instruction booklet x 1

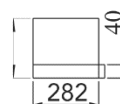
NOTE: Parts needed for the ducted option must be purchased separately.

WHAT MAY BE NEEDED FOR INSTALLATION

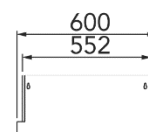
Electric Drill	Duct Tape
Tape Measure	Jig Saw
Spirit Level	Ladder
Screwdrivers	Torch (if natural lighting is minimal)



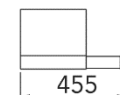
TOP VIEW



SIDE VIEW



REAR VIEW



EXTENDED VIEW

INSTALLATION INSTRUCTIONS

Please ensure that that all power is switched off before installing the rangehood. Installation must be in accordance to the local electrical authority and codes. The switched power outlet for the rangehood should be positioned to enable the user to turn the power off, to enable cleaning and any maintenance required.

The switched power outlet should be installed within 600mm from the rear of the appliance. Ensure that when installing the rangehood, that it is protected from any possible damage from tools etc. Ducting for this appliance must be installed in accordance with the local authority. Ensure that the fixings used for this rangehood are suitable. Check the area where the rangehood is to be fitted and ensure that it is structurally sound.

The Everdure RBES622 and RBES62B2 rangehoods are intended to be fitted into kitchen cabinetry. They can also be installed directly onto a wall if required.

INSTALLATION OF THE EVERDURE RBES622 AND RBES62B2 RANGEHOOD DIRECTLY TO A WALL

Ensure that the wall is structurally sound, and is capable of carrying the weight of the rangehood. The lowest point of the rangehood must be placed at a minimum of 60 cm away from the cooking surface of a gas or electric cooktop. The cooktop may require a different minimum distance; the greater minimum distance must be followed.

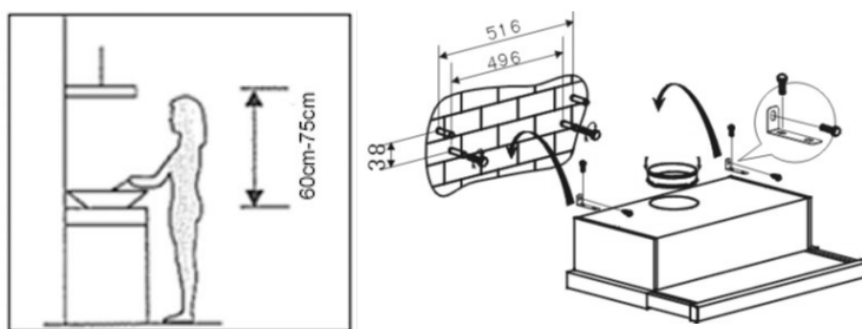
Measure the distance between the two fixing holes on the back of the appliance. Due to manufacturing processes, there may be slight variations on each rangehood produced.

Mark the distance on the wall in the desired location, at the correct distance above the cooktop.

For timber framed houses, the rangehood should be attached to a wall stud. Drill holes of a suitable size to fix the screws into, which will take the weight of the rangehood. Using a screwdriver, attach the screws to the studs in the pre drilled holes, leaving an adequate amount for the rangehood to rest on. Locate the rangehood onto the screws, via the mounting holes in the back of the appliance.

For masonry walls, mark the position of the holes on the wall, and drill holes of a suitable size, to accept the size of masonry anchor to be used. Alternatively, a wall plug of a suitable size may be fitted. Fit the masonry anchor (if being used) into the hole, or if using wall plugs, attach a screw into the plug. Allow an adequate amount of the screw or anchor out for the rangehood to be fitted onto. Locate the rangehood onto the anchor or the screw, via the mounting holes in the back of the appliance.

Fit the one-way valve onto the rangehood, ready for the ducting to be installed.



INSTALLATION INSTRUCTIONS

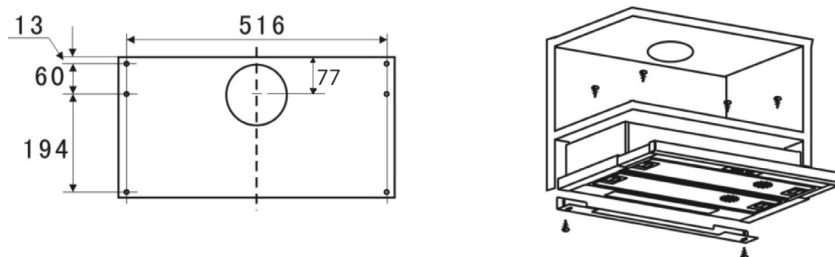
INSTALLATION OF THE EVERDURE RBES622 AND RBES62B2 RANGEHOOD TO A CABINET

The diagram below shows the distance required between the holes in the top of the rangehood. Due to manufacturing procedures, it is recommended that the dimension be checked on the rangehood before installing.

Drill the 4 x 6mm diameter holes into the bottom of the cupboard.

Fit the one-way valve onto the rangehood, ready for installation of the ducting.

Install the rangehood to the bottom of the cupboard using the 35mm bolts & nuts supplied with the rangehood. The holes in the rangehood are already threaded. Fully tighten the bolts.



Rangehoods may be installed in two ways:

1. Ducted to the atmosphere-Extraction (outside).
2. Recirculating. -Filtration (Inside)

We recommend ducting to the atmosphere to ensure optimum performance. Recirculating the air back into the room should only be used when outside extraction is not possible. To ensure maximum performance when ducting it is important the ducting that carries the fumes away, be as short and as straight as possible. When incorporating a rangehood in the design of a kitchen the following points need to be considered to achieve the most benefit from the rangehood.

Ducting from a rangehood carrying the exhaust air, should not exceed a length of three (3) metres. For ducted installation we recommend using galvanised or similar metal type flue pipe. PVC pipe is not recommended. Ducting containing a 90°-degree bend will encounter a loss in efficiency of approximately 35%. Additional 90°-degree bends can cause losses of up to 15% per bend. Ducting size should always comply with the manufacturer's specification. We recommend carbon filters be used when re-circulating the air into the room. There will be some loss of air movement when carbon filters are fitted.

The following instruction should be followed to carry out the correct installation of the rangehood.

- 1) Mounting of the rangehood on the lower side of the cupboard.
- 2) Selection of the version (extraction or filtration)

Mounting the rangehood on the lower side of the cupboard. This appliance must be fitted to a cupboard or other suitable support. When mounting align the front of the rangehood to the door of the cupboard and rear of the appliance must then align with the cupboard.

INSTALLATION INSTRUCTIONS

Extraction through an outside wall

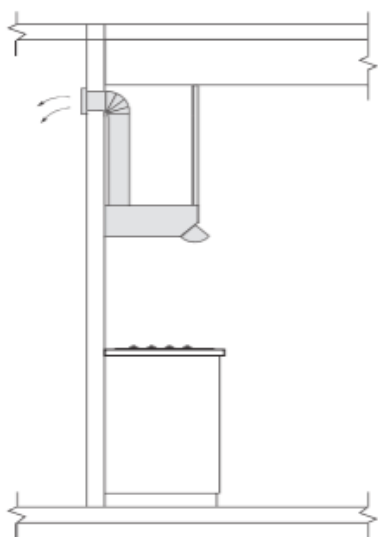
The appliance expels the fumes through an outside wall or a duct. It is necessary to buy a telescopic pipe (tube) in accordance with the standards in use and connect it to ring flange.

Recirculation

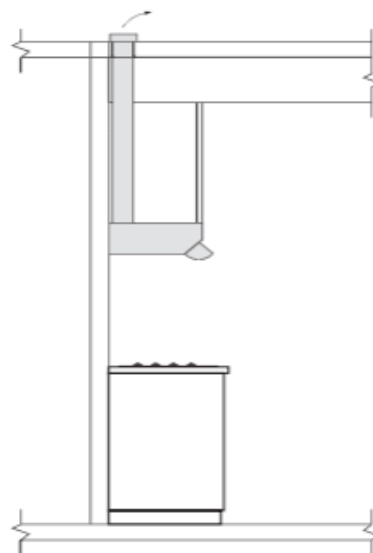
To transform the rangehood from the extraction version to the re circulating one ask your supplier for an activated carbon filter. The activated carbon filter cleans the air of the room. This filter is not washable or re-usable. it recommended that the filter be substituted at least every 4-6 months. Saturation of the activated carbon depends on how often the appliance is used, the type of kitchen and how regularly the grease filter is cleaned.

The clean air is returned into the room through a connecting telescopic pipe (tube) passing inside the cupboard and connected to the ring flange.

Ducted Installation:



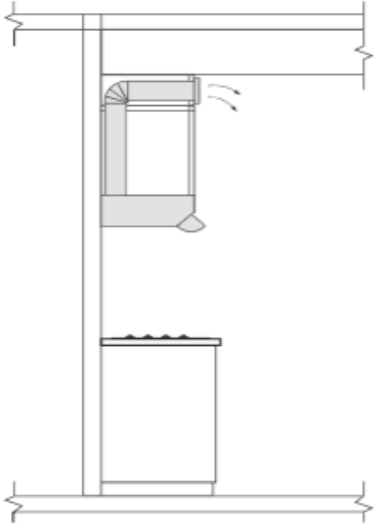
Ducted installation with expelled air going the wall into the atmosphere.



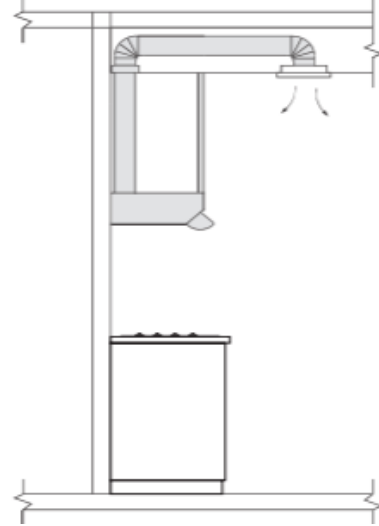
Ducted installation with expelled air going through the roof into the atmosphere.

INSTALLATION INSTRUCTIONS

Recirculation Installation:



Recirculation into kitchen with the expelled air going through a vent located in the bulkhead above cupboard.



Recirculation into kitchen with the expelled air going through a vent located in ceiling.

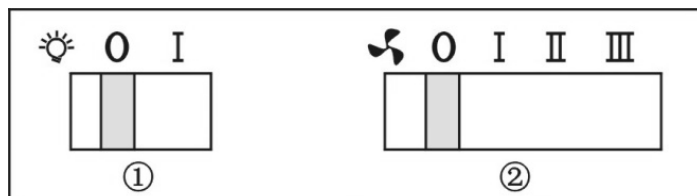
Warning: Failure to install the screws or fixing device in accordance with these instructions may result in electrical hazards.

OPERATING INSTRUCTIONS

Note: Before the appliance can be operated, it must either be ducted or, if the model is installed as a recirculating rangehood, it must be fitted with charcoal filters.

Connect the plug into the power.

Below is a diagram of the light and fan functions, with an explanation of how the light and the fan functions operate.



To operate the light, push the switch ① into “I” position to switch the light on, or into “0” to turn the light off.

To operate the fan, push the switch ② onto either:

- 1 – Low Fan Speed
- 2 – Medium Fan Speed
- 3 – High Fan Speed
- 0 – To turn the fan Off.

If your rangehood does not function correctly when attempting any of the above, please ensure that your power is on and functioning correctly. If the power seems to be functioning correctly in the house, there may be a problem with the rangehood. Please call your authorised service centre in this case to organise a service call or replacement appliance.

LEDS

The LED lamp used in this appliance cannot be replaced by the end user. If there is a fault with the LED lamp, please contact the Service Department.

CLEANING

SAFETY PRECAUTION

Before cleaning your rangehood or performing any maintenance, please ensure that the rangehood is turned off at the power point.

Do not use abrasive cleaners to clean the rangehood. The use of warm soapy water and a cloth are recommended.

Ensure that the rangehood is cleaned regularly, as a build-up of grease and fat may occur otherwise.

The filters on the rangehood must be cleaned regularly to maintain efficiency, and prevent grease build up. It is recommended that this is undertaken every 4 – 6 weeks, depending on frequency of use.

The filters can be cleaned with warm soapy water or a cloth.

Cleaning of the rangehood must be performed as described above; otherwise there is a possibility of a fire hazard due to grease and fat build up.

If the rangehood is fitted with charcoal filters (for re-circulating) it is recommended that the filters be changed every 3 – 4 months. Filter replacement will ensure correct function of the rangehood, and ensure that the air being re-circulated back into the room is clean.

TROUBLESHOOTING

Fault	Possible Cause	Solution
Light on, but motor does not work	Fan switch turned off	Select a fan switch position.
	Fan switch failed	Contact Service Department.
	Motor failed	Contact Service Department.
Light does not work, motor does not work	House fuses blown	Reset/Replace fuses.
	Power cord loose or disconnected	Refit cord to power outlet. Switch power outlet on.
Oil leakage	One way valve and the air ventilation entrance are not tightly sealed	Take down the one way valve and seal with sealant.
	Leakage from the connection of U-shaped section and cover	Take U-shaped section down and seal.
Lights not working	Broken/Faulty globes	Contact Service Department.
Insufficient suction	The distance between the range hood and the gas top is too far	Refit the range hood to the correct distance.
The Range hood inclines	The fixing screw not tight enough	Tighten the hanging screw and make it horizontal.

NOTE: Any electrical repairs to this appliance must conform to your local, state and federal laws. Please contact the service centre if in any doubt before undertaking any of the above. Always disconnect the appliance from the power source when opening the appliance.

NEW ZEALAND PRODUCT WARRANTY

EVERDURE STATEMENT OF STANDARD WARRANTY CONDITIONS

NEW ZEALAND CUSTOMERS

Nothing here in contained shall be construed in any way as excluding or limiting your rights under the Consumer Guarantee Act 1993.

OUR WARRANTY

Subject to the following conditions, this product is also covered by the manufacturer's **FIVE (5) YEAR WARRANTY from the date of purchase, covering all parts and labour (Our Warranty)**. Our Warranty (which is subject to the conditions below) covers rectification free of charge of any fault arising from defective materials or components, or faulty workmanship. The product will be repaired or replaced at the option of Everdure. Our Warranty is subject to the product being used for single family domestic household use.

Our Warranty operates in addition to (and does not exclude, restrict or modify) any rights or remedies to which you may already be entitled to under the New Zealand Consumer Law or any consumer guarantees law relating to this product.

Warranty applies to goods supplied and installed for Domestic Operation in the North and South Islands of New Zealand. Warranty does not cover costs of transport, travel distance (km - including time) if the product is located beyond 30km of an Authorised Service Agent

WHAT IS COVERED BY OUR WARRANTY

During the warranty period, Everdure or an Authorised Service Centre will at no charge, being the appliance is readily accessible without the need of special equipment or likelihood of damage to cabinetry, flooring or structures and subject to the terms and conditions of this warranty, repair or replace any parts which it considers defective.

WHAT IS NOT COVERED BY OUR WARRANTY:

1. Any failure caused by the product not being used in accordance with the instruction and installation manual provided with the product.
2. Incomplete or improper installation, including non-compliance with the electrical, gas, plumbing and all Local Regulations, Codes of Practice or National Standards of New Zealand.
3. If the product is not used in normal domestic use, or if it is used in a business as defined in the Consumer Guarantees Act.
4. Any costs associated with the repair, replacement, removal or re-installation of products installed damaged
5. Damage which occurs during delivery or installation.
6. Service calls related to instruction on how to use the product including no manufacturing fault found.
7. Unauthorised repairs or use of non-genuine Everdure parts.
8. Normal wear and tear e.g. cleaning, light globes, filters etc.
9. Any damage or breakage to glass items.
10. Failure resulting from power surges, electrical storms or limits outside the normal operating range for voltages and frequencies for domestic appliances in New Zealand
11. Insect or vermin infestation.
12. Damage caused from misuse, neglect, negligence, abuse or willful act, including failure to properly maintain or service.
13. The clearing of blockages in pumps and hoses.
14. Claims to product surface coating due to liquid or solid spill-overs, accidental damage or damage from cleaning products not recommended by Everdure.

HOW TO CLAIM OUR WARRANTY

Please refer to our website address below for Everdure in New Zealand to register your warranty online. If you are contacting Everdure regarding any warranty claims and spare part enquiries, please make sure you have the following information on hand:

1. Product Name/Model Number
2. Serial Number
3. Purchase Date (as per invoice, or proof of purchase)
4. Purchased from
5. Warranty Registration Number

All Warranty Claims and Spare Parts Inquiries:

In New Zealand:
Telephone (09) 415 6000

A division of Monaco Corporation 231 Bush Rd, Albany, North Shore City, Auckland, NZ 0632

*NEW ZEALAND: (09) 415 6000
www.everdure.co.nz*

IM Ref: RBES622 and RBES62B2 - 04/2023/07FC

FOR INDOOR USE ONLY

EVERDURE.