

# RACK IT

1000KG

400KG

## DRAWER KIT

### ASSEMBLY INSTRUCTIONS

ITEM CODE: RACK IT 1000KG RID;  
RACK IT 400KG 01612

**TOOLS REQUIRED:** RUBBER  
MALLET (NOT INCLUDED)

**WARNING:** HANDLE CUT METAL  
EDGES CAREFULLY

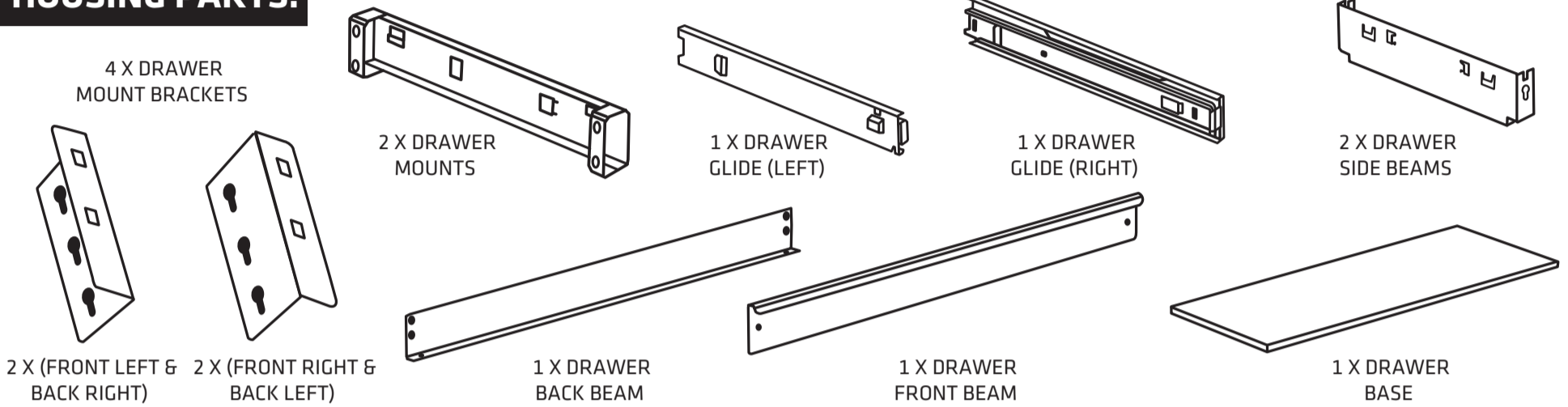
#### SAFETY TIP

When assembling or installing this product  
wear protective gloves and eyewear

### YOUR HEADACHE-FREE GUIDE TO RACK IT LIKE A BOSS

You've got this. We know because you take pride in your passions. Take care of your stuff. That's why you purchased this Rack It Drawer Kit. You're particular. And we like that. Because we know you'll take the time to check off all the Parts listed below and to read through these Assembly Instructions before you start. Cue Farnsey (or Beyoncé - whatever lifts you). **Let's do this.**

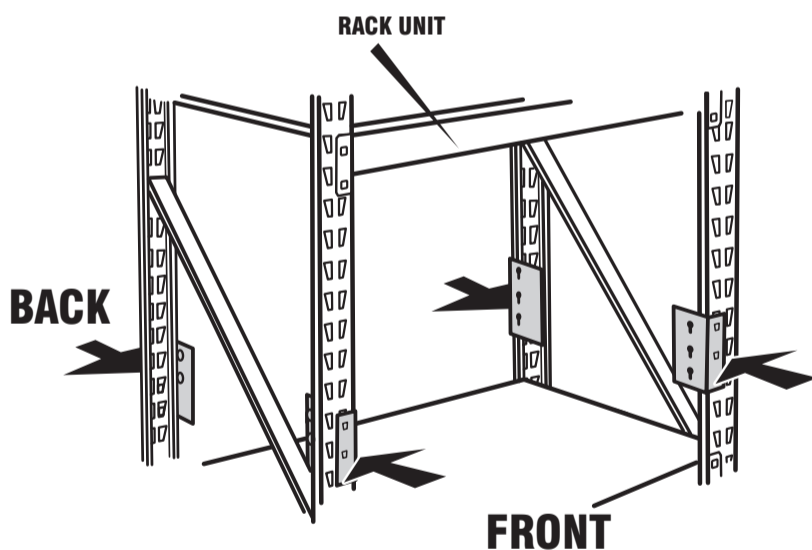
### HOUSING PARTS:



### STAGE 1: TRACK IT

#### STEP 1

Attach the 2x Front and 2x Back Drawer Mount Brackets to your existing Keyhole Uprights at your desired height. Just slot the Bracket Lugs into the Upright Slots and you're away.

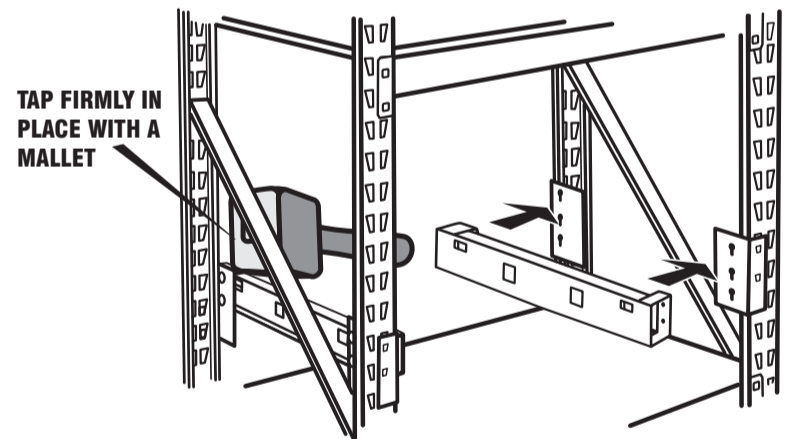


#### Hot tips:

It's easy to make sure the Front and Back Brackets are the right way around by checking their 'Keyholes' look the same as actual old-fashioned keyholes.

#### STEP 2

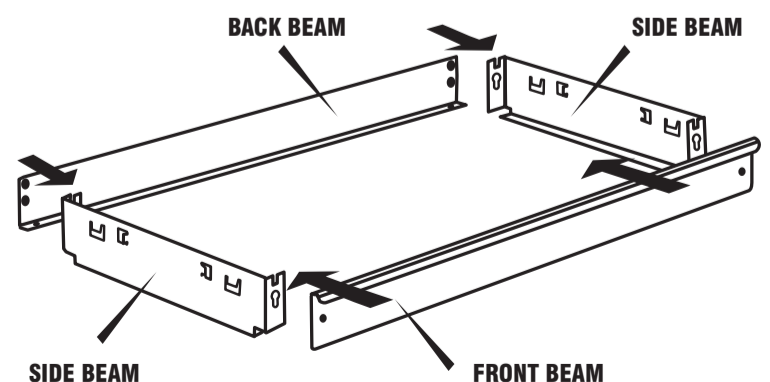
This is where those Keyholes come in handy. Attach the 2x Drawer Mounts by slotting the Keyhole Pins into your pre-prepared Keyholes on the Mount Brackets.



### STAGE 2: DRAWER IT

#### STEP 1

Fix the Back Beam and Front Beam to the 2x Side Beams. Just slot the Keyhole Pins into the Keyholes in the Side Beams and you're done.



MADE IN CHINA | DISTRIBUTED BY:

Visy Retail Services Pty Ltd (AU): 1300 734 714 Visy Board Limited (NZ): 0800 443 058

AUSTRALIA: [RACK-IT.COM.AU](http://RACK-IT.COM.AU)

NEW ZEALAND: [RACK-IT.CO.NZ](http://RACK-IT.CO.NZ)

# RACK IT

1000KG

400KG

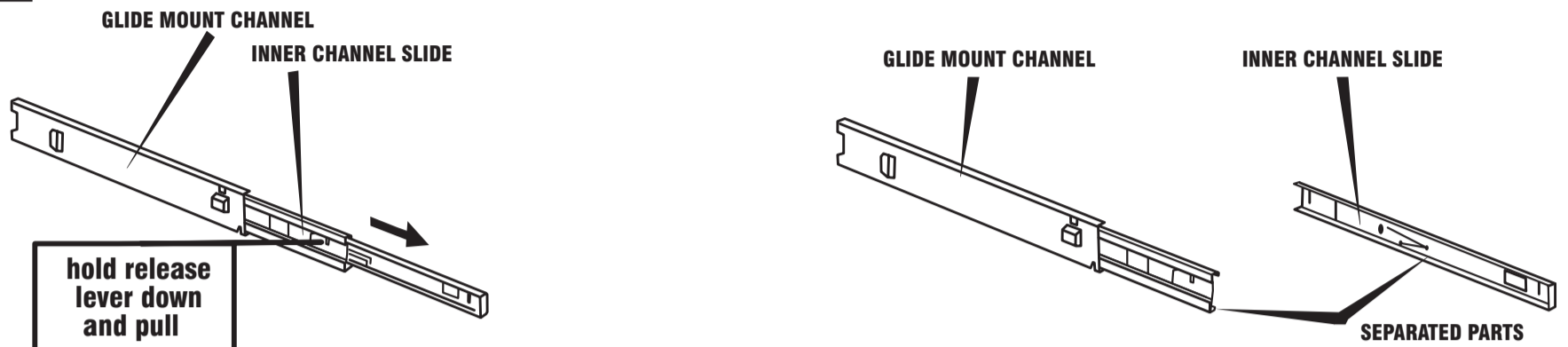
## DRAWER KIT

### ASSEMBLY INSTRUCTIONS

ITEM CODE: RACK IT 1000KG RID; RACK IT 400KG 01612

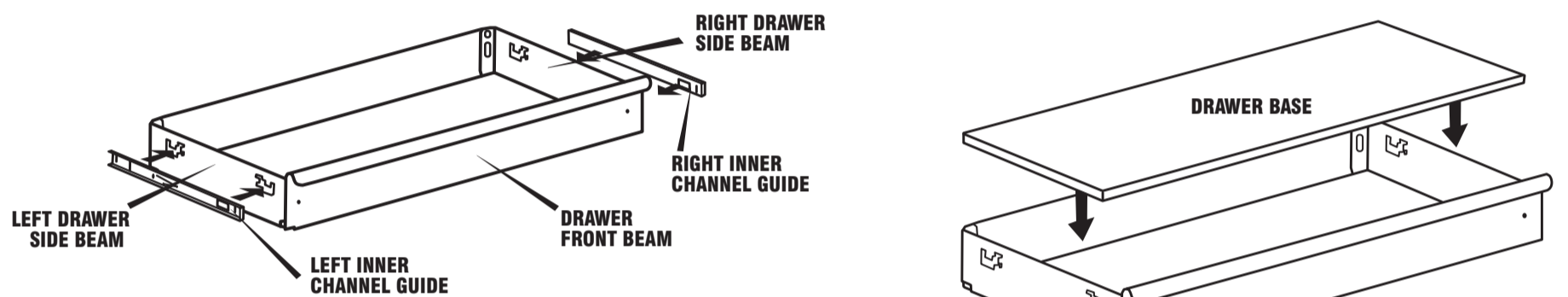
#### STEP 2

Separate the 2x parts of each Drawer Glide. Fully extend the Drawer Glide then push down on the black toggles. Keep gently pulling until you feel the catches release and each Runner will separate into 2 parts.



#### STEP 3

Attach the Inner Channel Glides to the outside of the Drawer Side Beams by inserting the Tabs into the Slots and sliding back to lock together and fit the Drawer Base into your Drawer assembly.



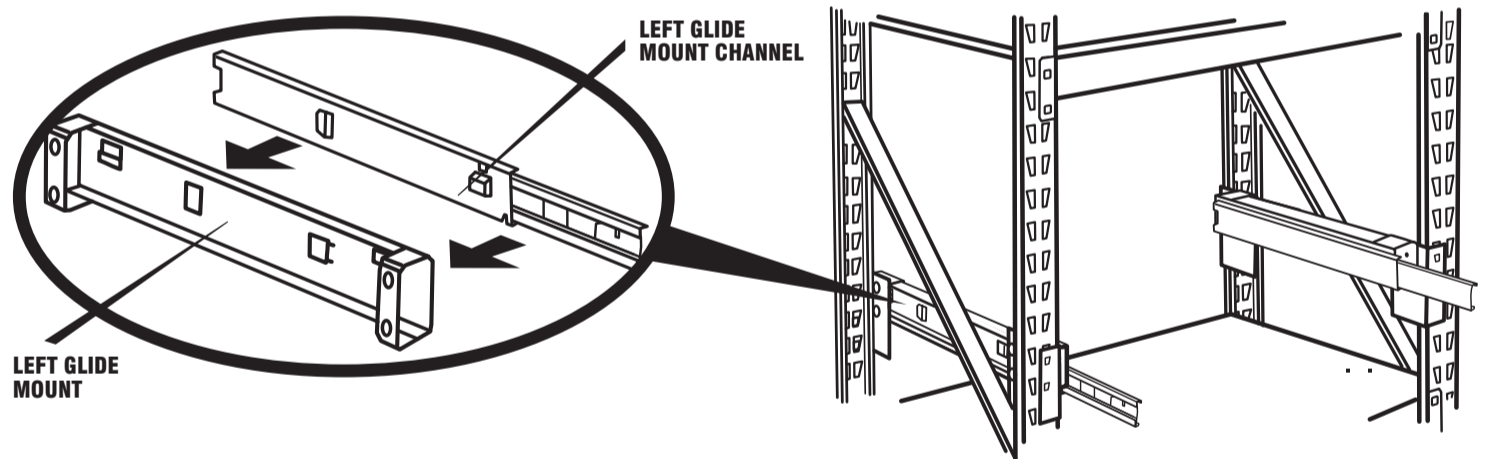
#### Hot tips:

There is a Left Hand and Right Hand variation on the 2x Channel Glides. To check you've got the right one each side, lift the Drawer by the Channel Glides: if they support the weight of the Drawer, you've got it right.

### STAGE 3: RACK IT

#### STEP 1

Attach the Left Glide Mount Channel to the Left Drawer Mount by (you guessed it) inserting the Tabs into the Slots and sliding back to lock together. Repeat this for the Right Side Mount and you're all set for the Grand Final step.



#### STEP 2

All your pieces are complete. Now it's time to slide it all together, then give yourself a hi-five. Carefully line up the Inner and Outer Glide parts. Once they're touching, gently push the Drawer closed. Easy does it: you might need to slightly open and close the Drawer a few times before it all falls into place.

#### Want to add more drawers?

Easy (like a Sunday morning). Just be sure to follow the pattern outlined below.

The sequence for positioning the Drawer Mount Brackets to the Uprights is:

Top Drawer: Place Mount Brackets directly underneath the Shelf Beam.

2nd Drawer: Place Drawer Mount Brackets directly underneath the Top Drawer Mount Brackets with no Slots in between.

3rd Drawer: Same again but with 1x Slot gap in between.

4th Drawer: Same again but this time with no Slots in between.

The sequence for positioning the Drawer Mounts to the Drawer Mount Brackets is:

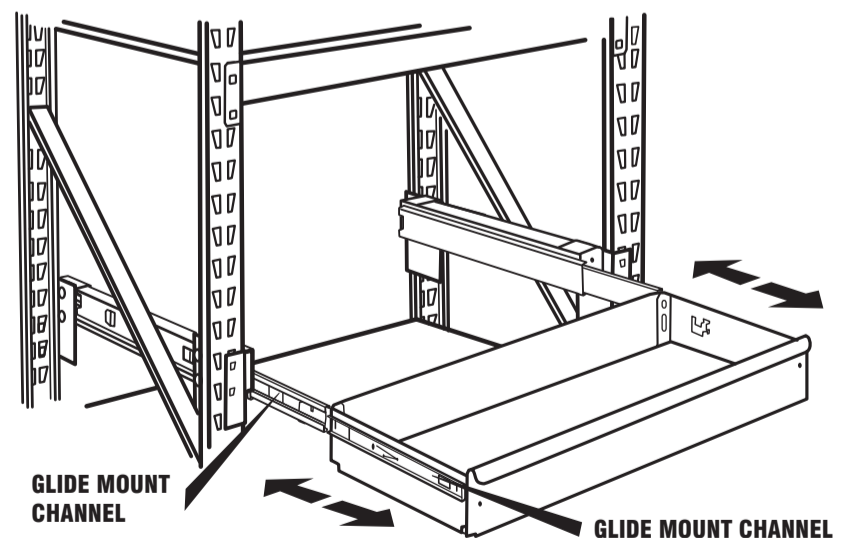
Top Drawer Mounts: Slot into the 2x top Keyholes of the Top Brackets.

2nd Drawer Mounts: Slot into the bottom 2x Keyholes of the 2nd Brackets.

3rd Drawer Mounts: Slot into the top 2x Keyholes of the 3rd Brackets.

4th Drawer Mounts: Slot into the bottom 2x Keyholes of the 4th Brackets.

And on and on in the same sequence as far as your Drawers will take you...



**You've done it! Cue warm inner feeling of satisfaction.**

Now is the time to enjoy tossing these instructions in the recycling. We knew you had it in you!

MADE IN CHINA | DISTRIBUTED BY:

Visy Retail Services Pty Ltd (AU): 1300 734 714 Visy Board Limited (NZ): 0800 443 058

AUSTRALIA: RACK-IT.COM.AU

NEW ZEALAND: RACK-IT.CO.NZ