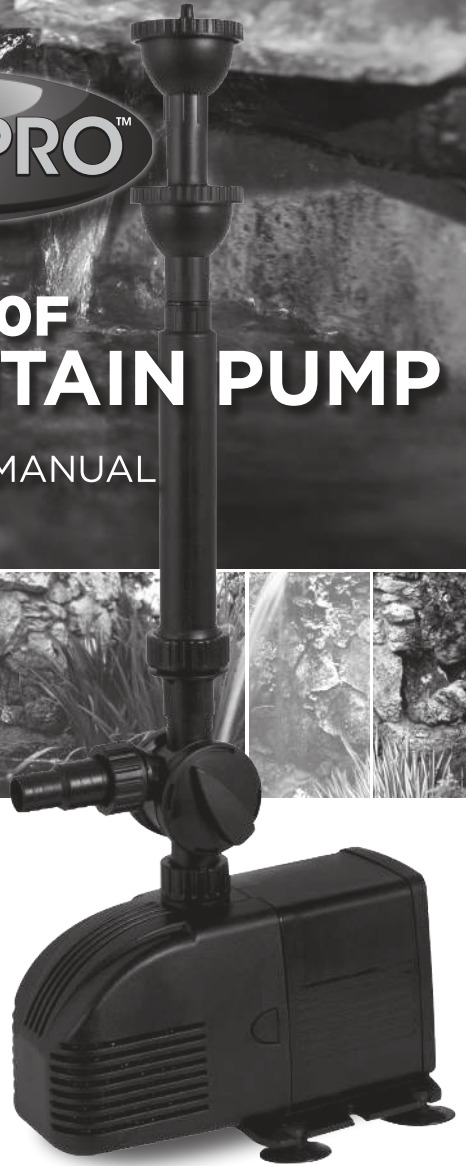


DISCOVER | CREATE | ENJOY

AQUAPRO™

**AP4800F
POND & FOUNTAIN PUMP**

INSTRUCTION MANUAL



AQUATEC
EQUIPMENT

HOTLINE 1300 AQUATEC

VERSION
2015

MODEL
02AF01



CONGRATULATIONS ON YOUR PURCHASE OF THIS PRODUCT BY **AQUAPRO**, THE ANSWERS FOR YOUR WATERGARDEN MADE EASY.

TECHNICAL SPECIFICATIONS

DESCRIPTION	AP4800F
MAXIMUM WATER FLOW (L/H)	4800
MAXIMUM HEAD (m)	4.00
POWER CONSUMPTION* (W)	97
VOLTS (V)	240
IP RATING	IP68
FREQUENCY (Hz)	50
INLET Ø BSP FEMALE THREAD	1 INCH BSP
OUTLET Ø BSP FEMALE THREAD	¾ INCH BSP
CABLE LENGTH (m)	10

* SUBJECT TO VARIATION ACCORDING TO LOAD.

BENEFITS

The AQUAPRO Fountain and Pond Pump have been manufactured with advanced technology to provide you with the best quality pump for your pond or water feature. Check out the AQUAPRO range of pond lights and accessories.

AQUAPRO Fountain & Pond pumps are suitable for use in many different applications including fountains and water features, either submersible or in-line.

AQUAPRO Fountain & Pond pumps are a magnetically driven centrifugal pump, therefore they cannot suck from a water level that is below the inlet level when used in-line.

Your AQUAPRO Fountain & Pond pump has a single moving part (an impellor set) enabling easy cleaning and maintenance.

The motor and electrical components are encapsulated in epoxy resin, ensuring safe operation under water.

The pump has a robust bearing and shaft design so no oil/grease lubrication is required.

AQUAPRO pumps that have plastic impellor parts and ceramic shafts, with no exposed metal, can be used in salt water applications.

AQUAPRO fountain pumps are fitted with suction cup feet, enabling use on both horizontal and vertical surfaces.

AQUAPRO Fountain & Pond Pumps are continuous rated therefore are designed to operate 24/7.

AP4800F POND & FOUNTAIN PUMP



IMPORTANT SAFEGUARDS

Please read the operating instructions and familiarise yourself with the equipment before placing it in service. Correct and safe use of the system requires strict compliance with the safety instructions. For safety reasons, persons less than 16 years of age or infirm persons that are not familiar with these instructions should not use this equipment.

For your own safety, disconnect from the power supply before any maintenance of any equipment is attempted on the tank or water body.

Be sure the equipment is submerged completely in the water. The depth should not be greater than 2m.

Do not operate the pump if the appliance or any components of the system, such as the power cable, have been damaged.

Always use a properly grounded power supply that is connected to an RCD with a rated residual operating current not exceeding 30mA. As per AS/NZS 3350.2.41:1997

The drip loop method should be used to prevent water from traveling down the cable and onto the plug or power supply. If the plug does get wet, do not unplug the cable. Disconnect the circuit breaker that supplies power to the power supply point. Then unplug and examine the plug and power supply point for presence of water. If the power point has become wet, you should consult an electrician before using the power point again.

Always unplug the pump from the power supply when not in use or before performing any maintenance on the pump or in the pond. Never pull the cable to disconnect the plug from the power supply. Grasp the plug and pull to disconnect.

Use of extension cords outdoors is not recommended.

If required, have a qualified electrician install a weatherproof power supply point near to the pond or water-feature (within the cable length of the appliance).

Do not install or store the appliance where it will be exposed to extreme hot or cold temperatures. Do not use in water above 35°C.

Do not cut the cable as this will result in voiding your warranty.

Care should be taken to arrange the power cable so that it cannot be accidentally tripped over or pulled.

Do not attempt to repair the electrical appliance yourself. Return to an authorized service centre or place of purchase if a fault occurs, (regular maintenance is not considered repair and is required by user).

The power cord cannot be replaced. If the cord is damaged, the pump must be discarded.

PRODUCT SPECIFIC SAFEGUARDS

Do not operate the pump without water at any time, permanent damage may occur.

Be sure the equipment is submerged completely in the water. The depth should not be greater than 2m.

Do not operate the pump if the appliance or any components of the system, such as the power cable, have been damaged.

The pump is designed to be used in a Garden pond or Aquarium environment. It is not to be used in any other manner or purpose.

The pump should only be used in clean water. Do not use the pump in, or with, any chemicals such as a solvent or gasoline.

All AQUAPRO Fountain & Pond pumps are water cooled. If the pump flow becomes restricted it will overheat and could cause permanent damage. The pump needs to be cleaned regularly to prevent the pump becoming blocked, thus causing the pump to overheat and burn out. This is not a warrantable event.



INSTALLATION

Once a fountain nozzle has been selected, assemble the fountain kit as per the diagram.

Using the 1 inch to ¾ inch threaded reducing nipple (10), attach the Dual Control T-Piece (13) onto the pump outlet. Adjust the telescopic riser (17-18) to the desired height, then secure onto the top of the T-Piece using the threaded locking nut provided. Align riser vertically.

Locate the stepped hosetail locking nut (15), attach this to the side outlet of the Dual Control T-Piece to facilitate an optional accessory for example a filter or waterfall. Using the Flow Adjustment Knob (12), on the T-Piece, you can vary the flow between the fountain head and the waterfall outlet. Close the second outlet of the T-Piece if this is not required. Now connect tubing to the side Hosetail (14) if required. This T-piece is not suitable for dry mount applications.

Place the pump in desired location. Ensure the pump is on a stable surface that is free of sludge, sand and other debris. Position the device in the pond horizontally, on a solid base, in such a way that it is fully covered with water and ensure that the pump is located, at a depth, in the water, which will not allow it to suck air from the surface. The fountain nozzle should now be protruding out of the water.

Push the plug into the power supply outlet and switch on.

Use the power supply switch for turning the unit on and off.

CLEANING INSTRUCTIONS

Begin by ensuring that the mains power supply is disconnected before attempting any maintenance or adjustment of the unit or the water body. Remove the unit from the water. The filters and sponges in this unit will clog over time. Please clean regularly (at least once a month) to ensure strong water flow. Failure to maintain the unit will result in a burnt out motor and other damage.

All AQUAPRO Pond & Fountain pumps are water cooled, if pump becomes restricted, or blocked, it will overheat and could cause permanent damage.

The motor unit of the pump is encapsulated with epoxy resin and does not need lubrication. Regular inspections, cleaning and maintenance of the impellor is necessary to ensure longer life.

Take off the fountain set first by unscrewing it from the top of the pump. Examine the nozzles to ensure all ports are unblocked. Clean with a suitable brush if necessary.

Maintain the filter sponge regularly according to how long it takes for the sponge to get clogged up. When the flow starts to be reduced, check and clean if necessary.

Unclip the front filter cage (1) from the front of the pump by pressing in the two catch tabs on either side, at the same time, and pulling forward. Take out the Internal Bio Sponge (2) and clean. If using an optional pre-filter block sponge, slide the sponge off the threaded core and wash out. It is recommended that this is done in a bucket of pond water to ensure the good bacteria that are present in the sponge are not killed by the Chlorine in tap water. Check for wear and tear of the sponges. Replace if necessary.

You can help boost the biological function of your filter sponge with a bacterial additive, available from your local stockiest.

To maintain the impellor (6) of the pump, locate the locking tab (5) near the outlet on the impellor cover. Click the tab out from the motor body to unlatch. Now turn the Impellor Cover (4) in an anti-clockwise

direction to the stop position and lift off. Then separate the impellor cover from the pump motor body.

Lift out the impellor assembly (6). (Take care not to break ceramic shaft.) The black disc behind the blades is part of the entire impellor assembly. Clean the impellor with clean water and a suitable brush.

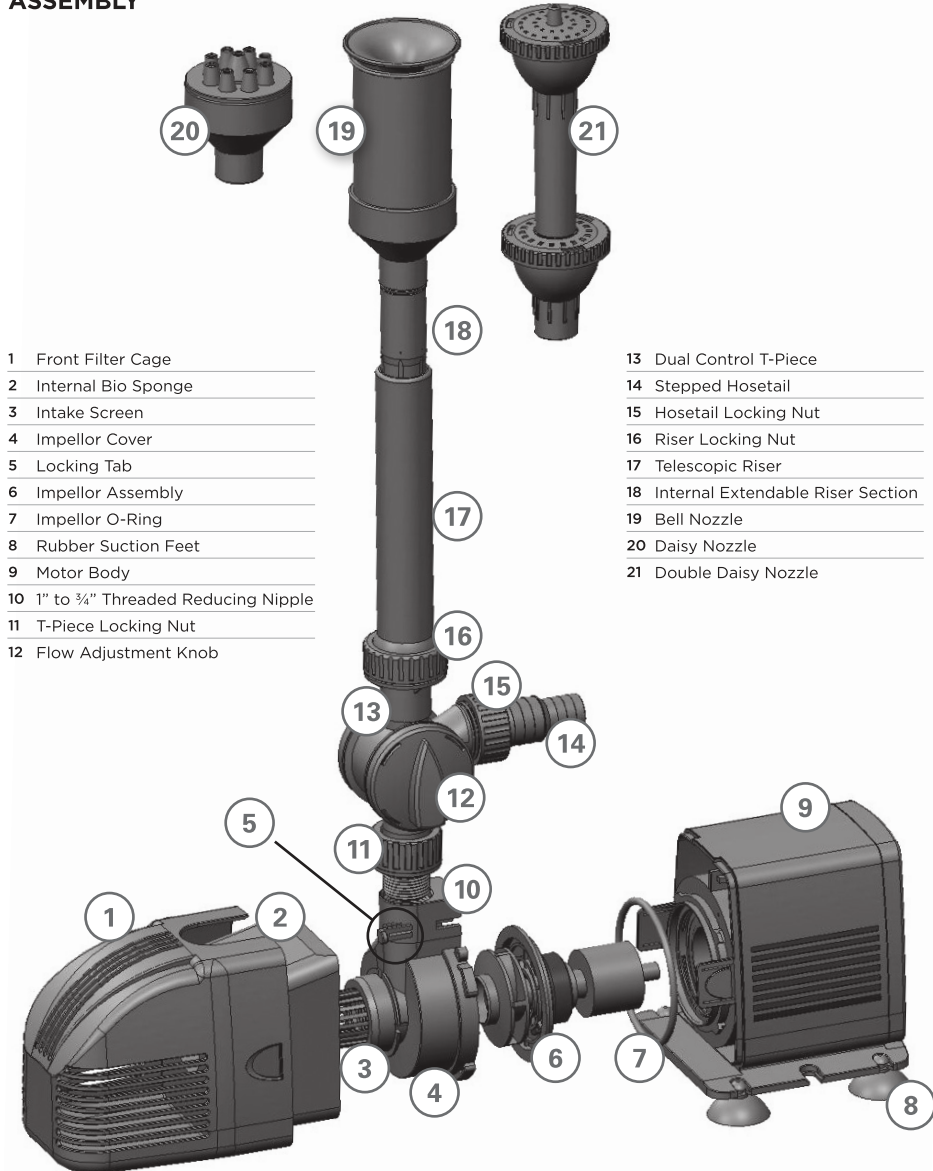
It is important to ensure that this is carried out regularly as the cooling path around the motor will become clogged. If the impellor assembly becomes worn or damaged it should be replaced (available from your dealer or special orders). Failure to do so may cause serious damage to pump. Inspect for signs for wear and tear. The impellor set is a wearing consumable part.

Once the cleaning and inspection process is completed, reassemble in the reverses manner. Reinstall the impellor into the motor body. To place the Impellor O-Ring (7) around the black disc successfully, firmly hold the disc with one hand, and using the other hand stretch the O-Ring over the disc, positioning it carefully into the groove. Pay attention not to allow the O-Ring to roll forward, in-between the black disc and the motor body. With the impellor in the correct position, carefully place the impellor cover (4) back on, and then rotate clockwise back into position. Now slide the locking tab (5) back into position to prevent the cover from turning.

Re-insert the internal sponge back into the filter cage and reattach to the pump.

AP4800F POND & FOUNTAIN PUMP

ASSEMBLY



- 1 Front Filter Cage
- 2 Internal Bio Sponge
- 3 Intake Screen
- 4 Impellor Cover
- 5 Locking Tab
- 6 Impellor Assembly
- 7 Impellor O-Ring
- 8 Rubber Suction Feet
- 9 Motor Body
- 10 1" to 3/4" Threaded Reducing Nipple
- 11 T-Piece Locking Nut
- 12 Flow Adjustment Knob

- 13 Dual Control T-Piece
- 14 Stepped Hosetail
- 15 Hosetail Locking Nut
- 16 Riser Locking Nut
- 17 Telescopic Riser
- 18 Internal Extendable Riser Section
- 19 Bell Nozzle
- 20 Daisy Nozzle
- 21 Double Daisy Nozzle

NOTE: Parts may differ slightly from shown



IMPORTANT

These accessories and attachments are recommended for use with your AQUAPRO product specified in this manual. The use of any other accessories or attachments might present a risk of injury to persons. Only use the accessory or attachment for its stated purpose.



TROUBLESHOOTING

Problem	Reason	Solution
Water Pump Not Working	No Power	Check that the plug is connected and turned on
	Sponges and filter media blocked with sludge	Clean the sponges and filters
	Impellor is blocked with sludge or limescale	Clean the Impellor as per the instructions
	Running without sufficient water	Submerge the equipment underwater then plug in. Refill if necessary.
	Blocked Impellor chamber or ceramic shaft is broken	Clean the Impellor. Check for ware. Replace if necessary.
Water Pump is noisy	Blockage in pump	Clear the blockage
	Impellor & Shaft worn out	Replace Impellor & Shaft
	Impellor broken	Replace Impellor
	Water valve closed on the outlet	Open the valve and allow water to flow
	Unit inlet is blocked or the water pump inlet is blocked	Clear all blockages

SPARE PARTS (NOTE: THESE ARE THE MOST USED)

Description	Product Code
AQUAPRO AP4800F - V.2015 - Impellor & Shaft	11A1043
AQUAPRO AP4800F - V.2015 - Internal Sponge Filter	11A1176



AP4800F POND & FOUNTAIN PUMP

LIMITED WARRANTY

This product comes with a warranty against defects and motor failure (Warranty). The benefits provided in this Warranty are in addition to other rights and remedies available to you under the Australia Consumer Law. The Warranty is provided to the original purchaser of the product on the following terms:

The Warranty is given by Chemkay Pty Ltd trading as Aquatec Equipment: PO Box 2087, Seville Grove, WA 6112. Tel 1300 552 202 or email sales@aquatecequipment.com.

To make a claim under the Warranty you must return the faulty product to the place of purchase with a valid receipt or proof of purchase.

A Warranty claim must be made within 2 years of the date of purchase.

If your claim complies with the above terms and the product is not an Exhaustible Item and no Voiding

Events have occurred, we will (at our sole discretion):

- repair the product, if possible; or
- provide a replacement product; or
- if a replacement product is not available, provide a refund for the purchase price paid.

You will bear the cost associated with claiming under the Warranty such as the cost of transportation and delivery of the product to and from the place of purchase.

The product contains a complete Impellor Set, O Ring & UV Globe. These items are exhaustible (Exhaustible Items) and are not covered under the Warranty.

The Warranty will be void if any of the following events occur, as determined by us, at our sole discretion (Voiding Events):

- any tampering/removal of warranty/identification labels or electrical components is evident;
- the defect has arisen due to: an accident, incorrect or inadequate installation, misuse or abuse of the product (including improper maintenance and service), excessive wear and tear, not following manufacturer's guidelines/ instructions, or the product has been used in a manner contrary to the purpose or suitability of the product;
- the product has been modified without our authority;
- the defect is caused by power surges/spikes brownouts.

Loss of livestock, damage to property or personal injury caused by the improper use or abuse of the product will not be covered and the manufacturer excludes all liability for such events, to the extent permitted by law.

In addition to the Warranty set out above, our goods come with guarantees that cannot be excluded under the Australian Consumer Law. You are entitled to a replacement or refund for a major failure and for compensation for any other reasonably foreseeable loss or damage. You are also entitled to have the goods repaired or replaced if the goods fail to be of acceptable quality and the failure does not amount to a major failure.

Please consult your retailer for quality original AQUAPRO replacement parts.

Visit www.aquatecequipment.com for your nearest stockists.

E.&O.E.