



NEW MODEL
WITH
IMPROVED
INSTRUCTIONS
AND
ASSEMBLY!

PRODUCT CODE **GW0055**

Manual

Introduction

The benefit of the **GreenWall® Mobile Garden Kit** is that it can be easily moved around according to the amount of sunlight the different types of plants require. This has a big bearing on what will grow successfully. Also think about where your water source will be and how easily you can run a hose from that tap.

- 1 This instruction manual contains useful information on the proper use and care of this product. Please read through all instructions before attempting to assemble the kit to ensure it is properly put together before use. Please keep this user guide handy for future use.

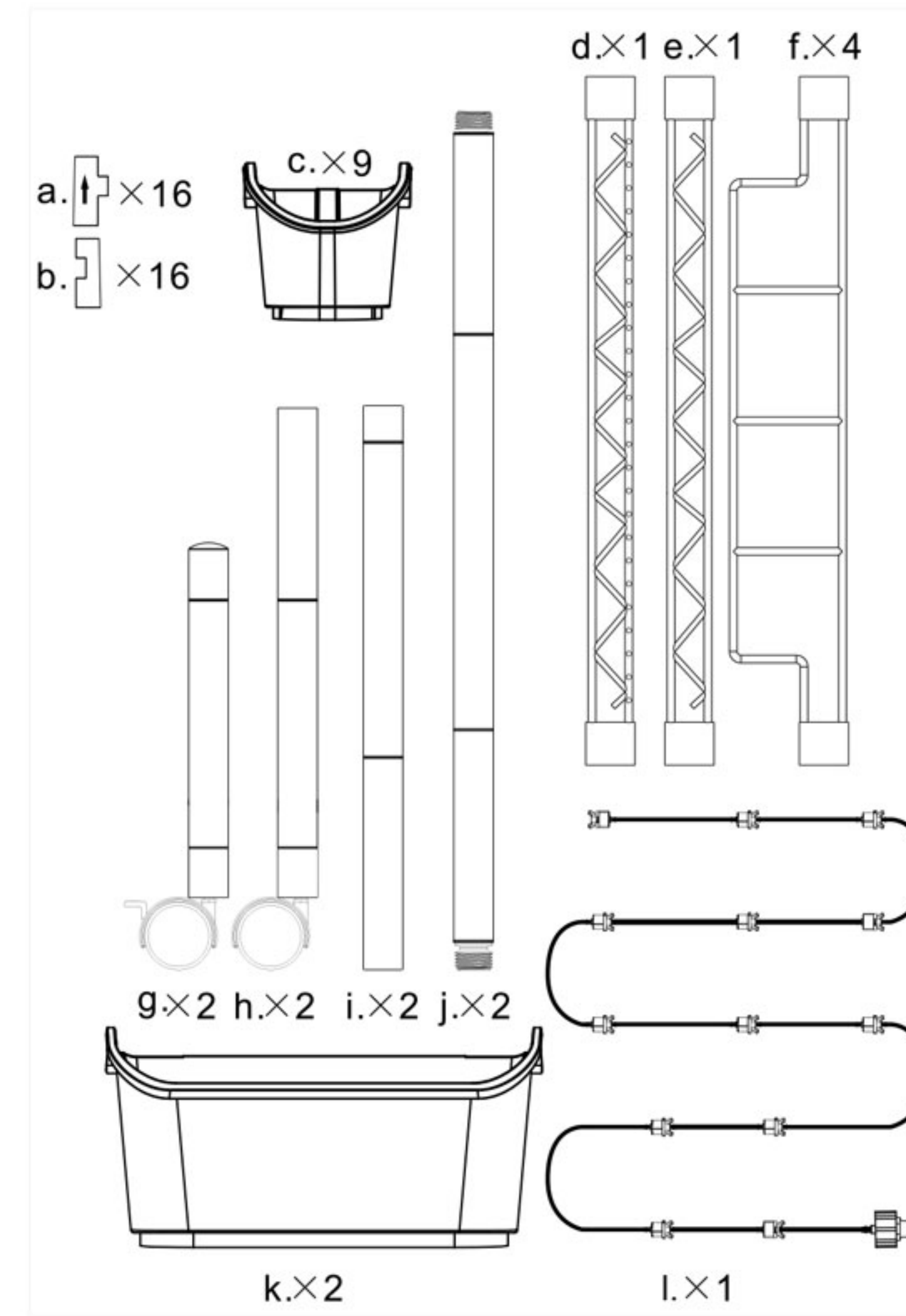
Overview

Mobile Garden Kit

- a. 16 x **Left Frame Clips**
- b. 16 x **Right Frame Clips**
- c. 9 x **Small GreenWall® Pots** with mesh bases
- d. 1 x **Metal Frame with Wire Base**
- e. 1 x **Metal Frame**
- f. 4 x **Frame Hangers**
- g. 2 x **Front Wheel Poles**
- h. 2 x **Back Wheel Poles**
- i. 2 x **Short Frame Poles**
- j. 2 x **Long Frame Poles**
- k. 2 x **GreenWall® Planters** with mesh bases
- l. 1 x **Pre-Assembled Irrigation Kit**

Overview Continued

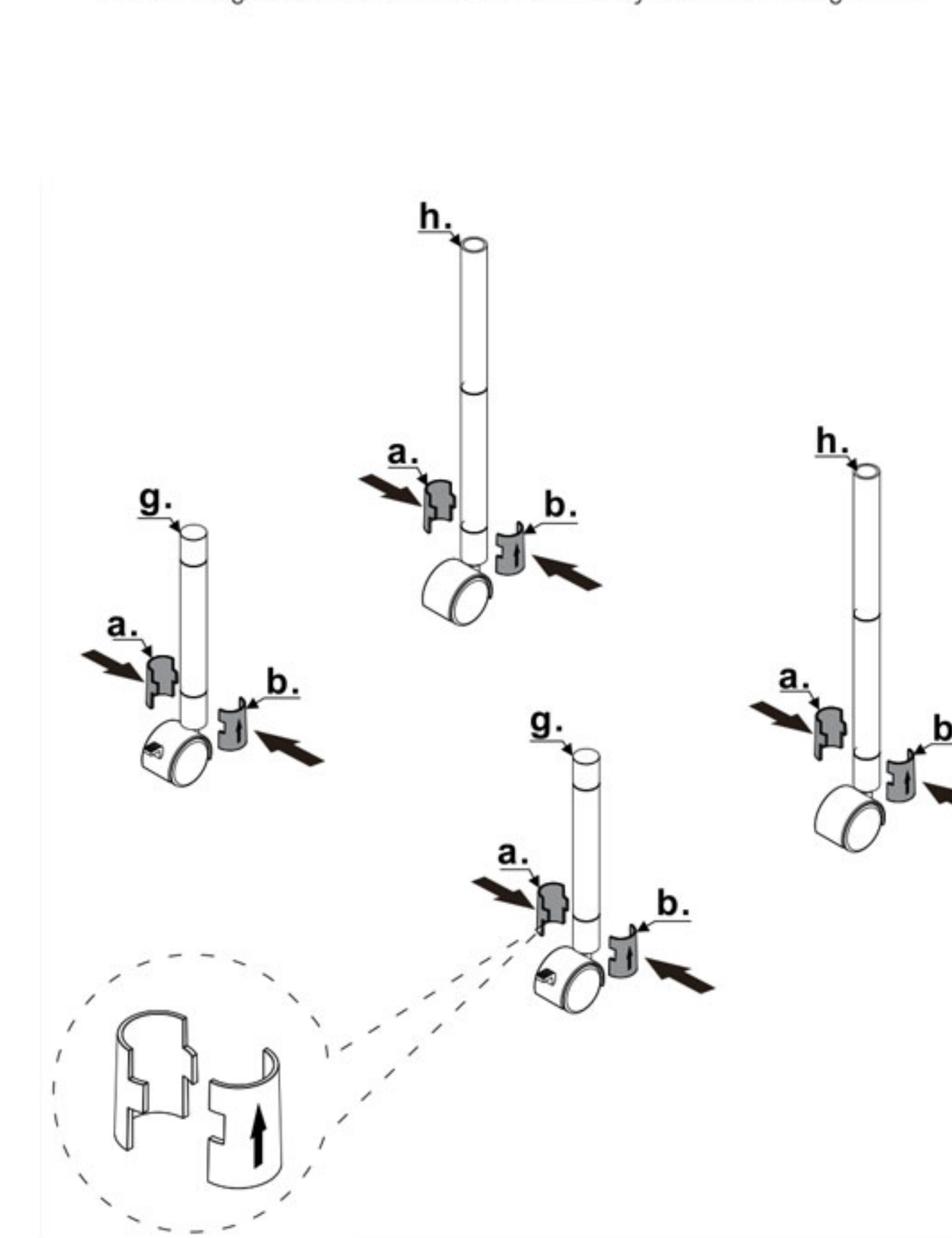
Mobile Garden Kit



Assembly

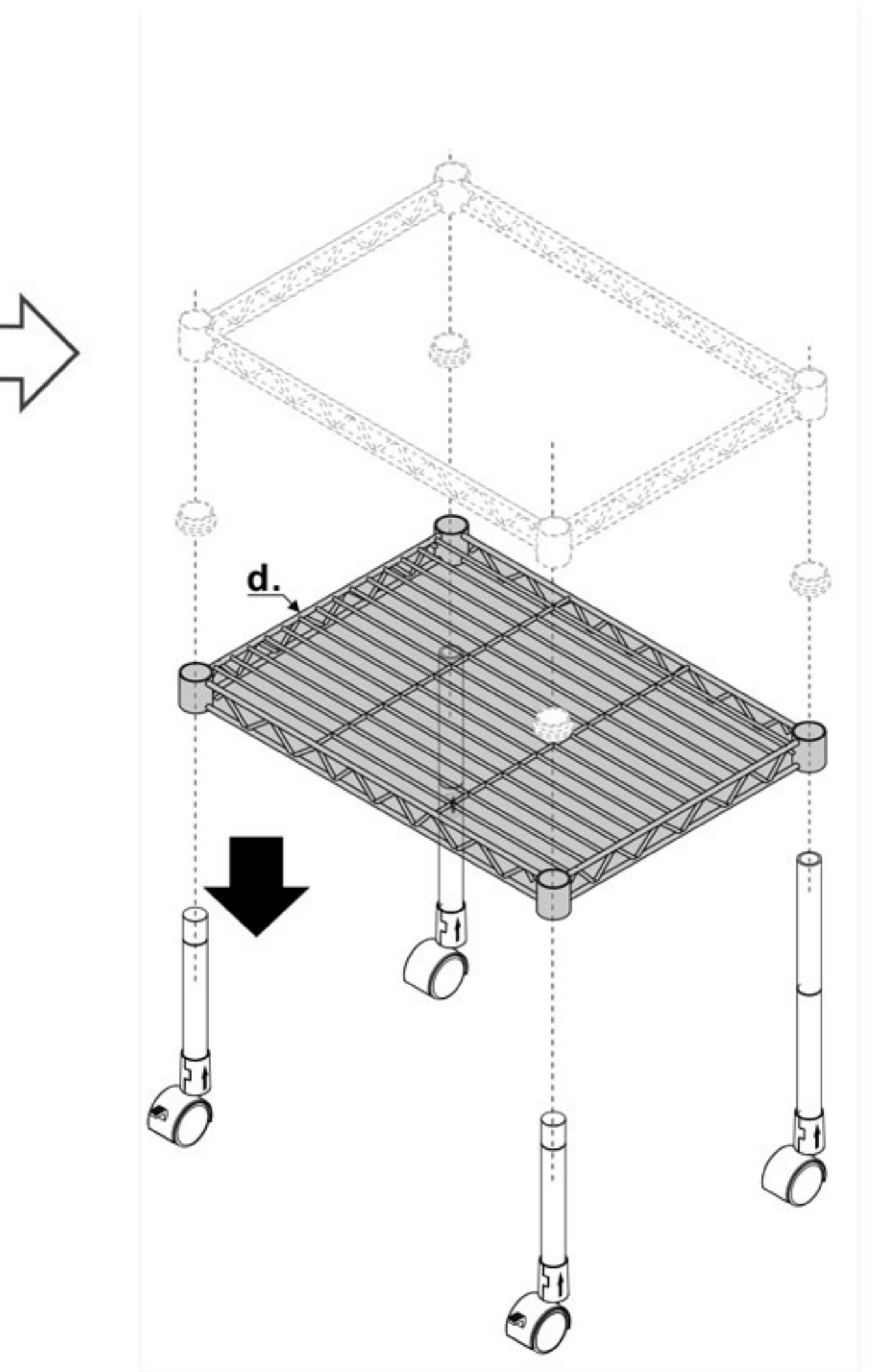
Step 1

- 1 Please ensure that the arrow marks on the **Frame Clips** are pointing upwards. When joining together, place the **Frame Clips** above the groove and slide down until they click into the groove.



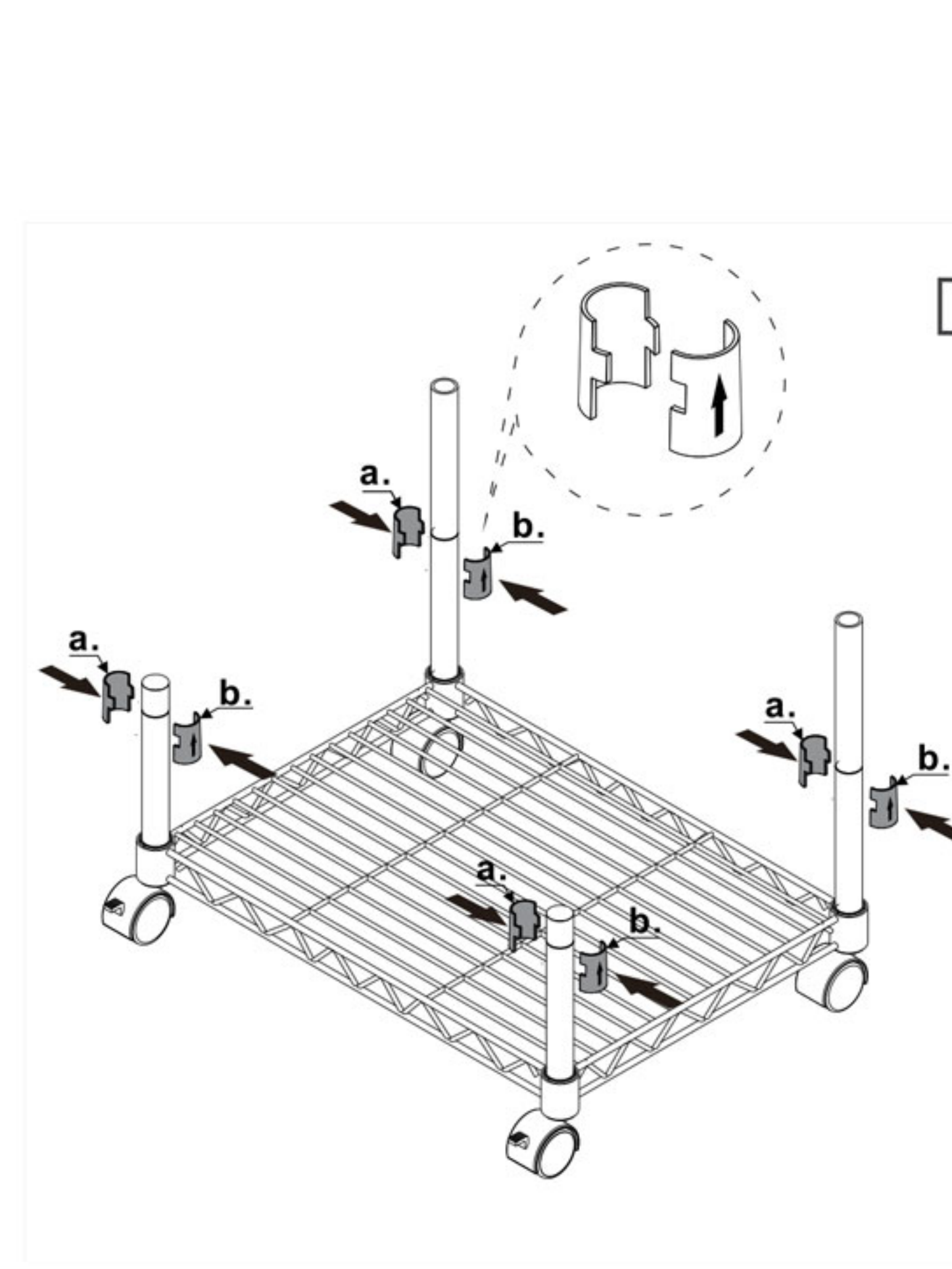
Step 2

- 1 Please remove the plastic joiners from in-between the **Wire Frames** and recycle correctly.

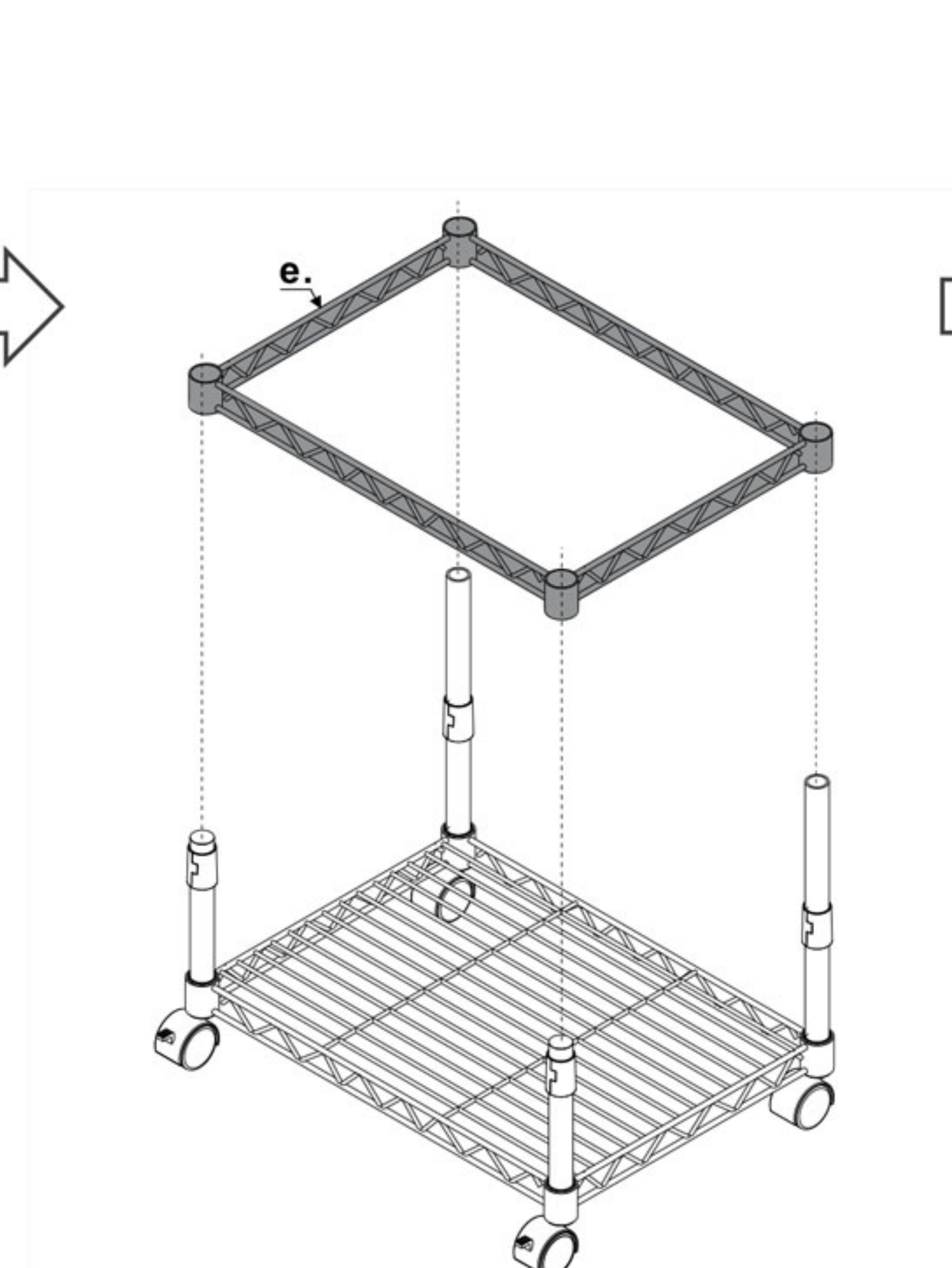


Assembly Continued

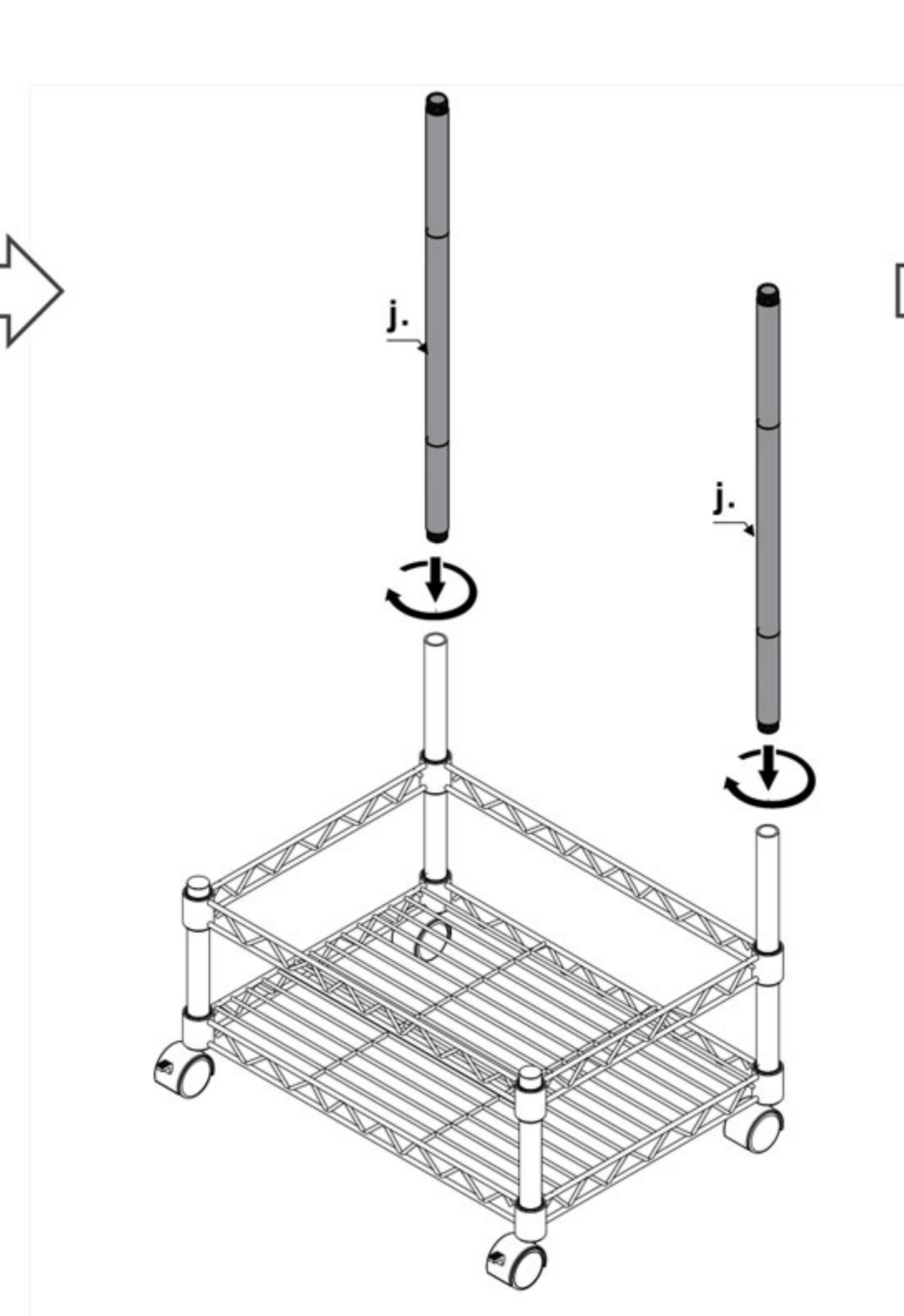
Step 3



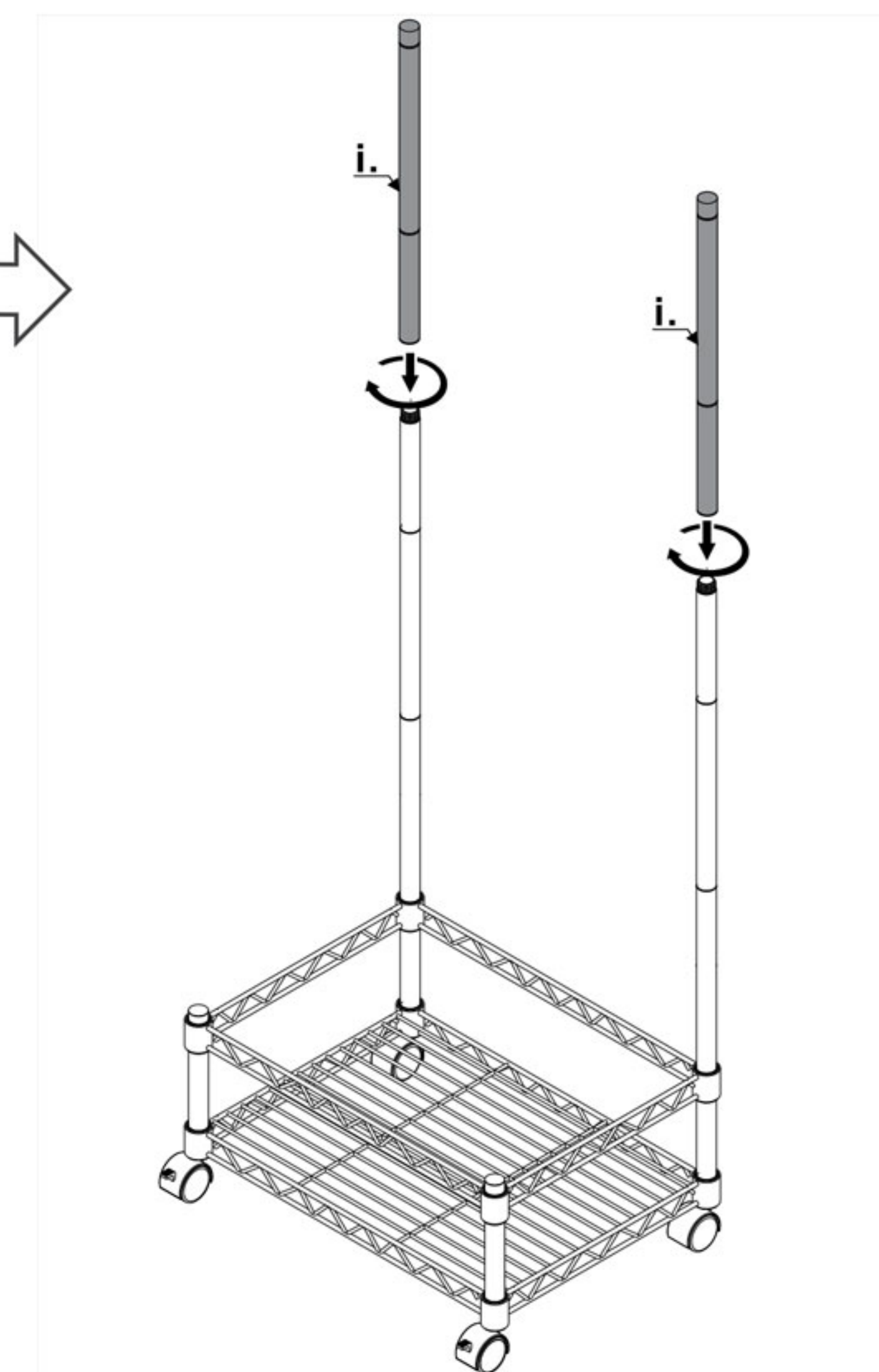
Step 4



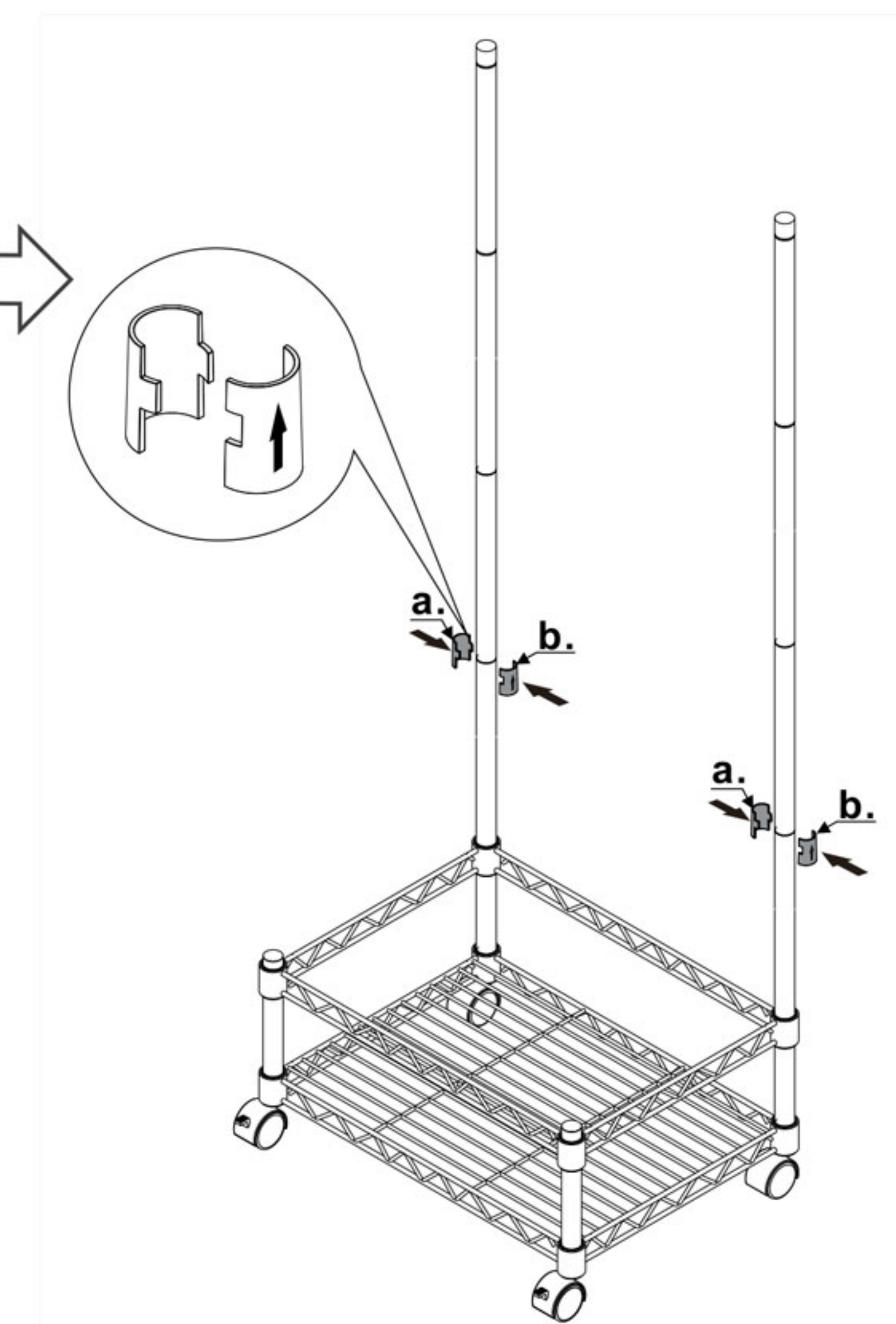
Step 5



Step 6

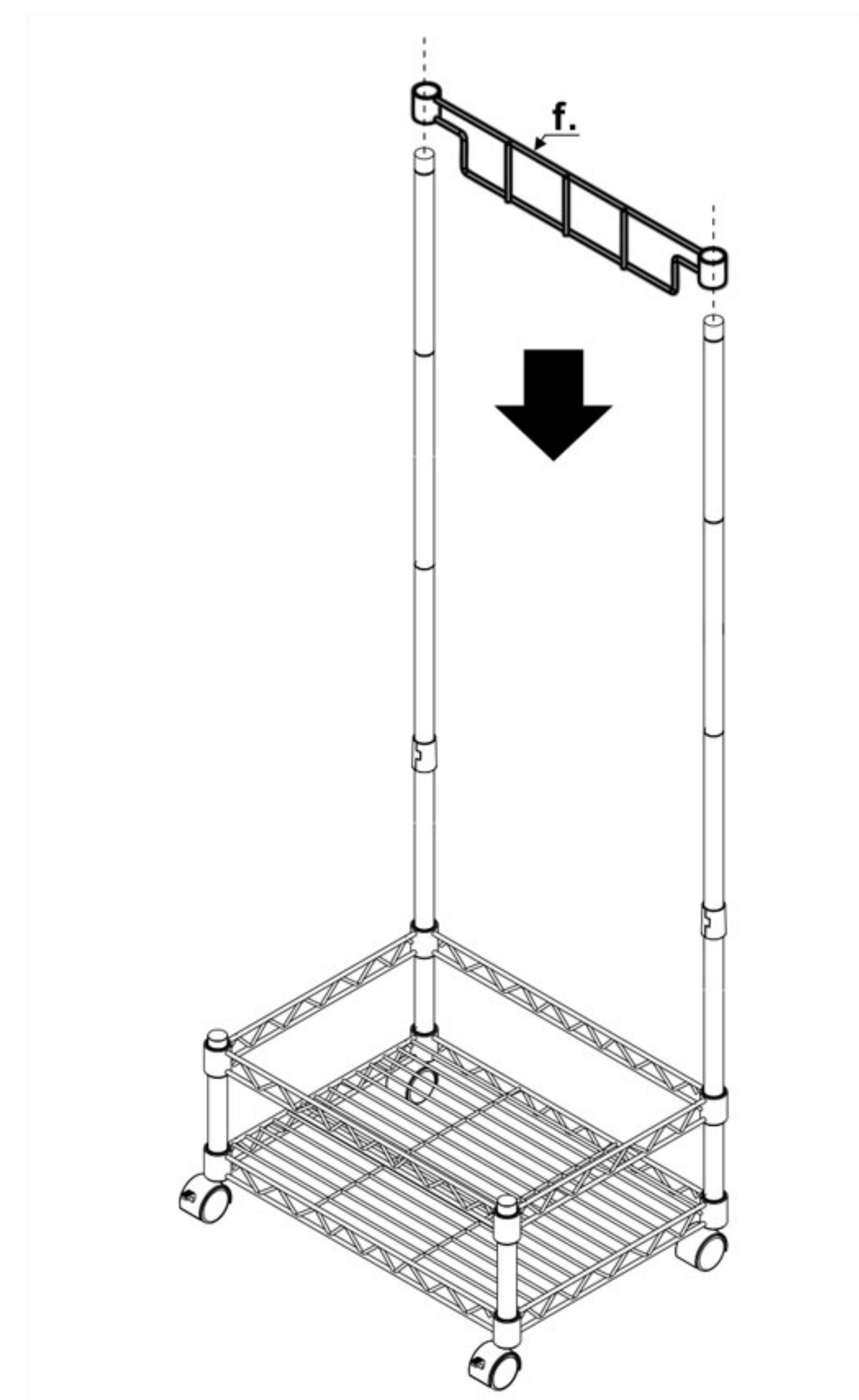


Step 7

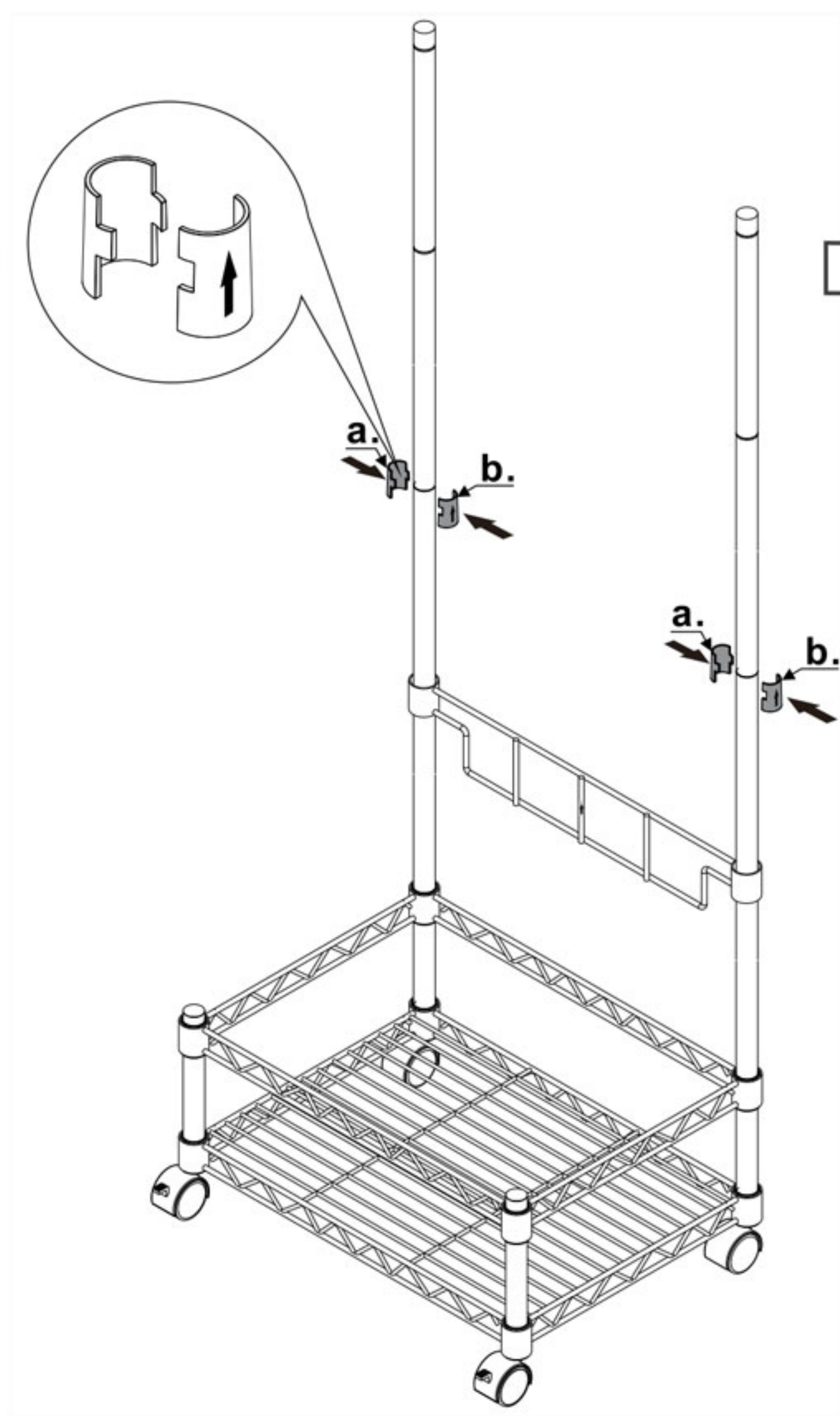


Assembly Continued

Step 8

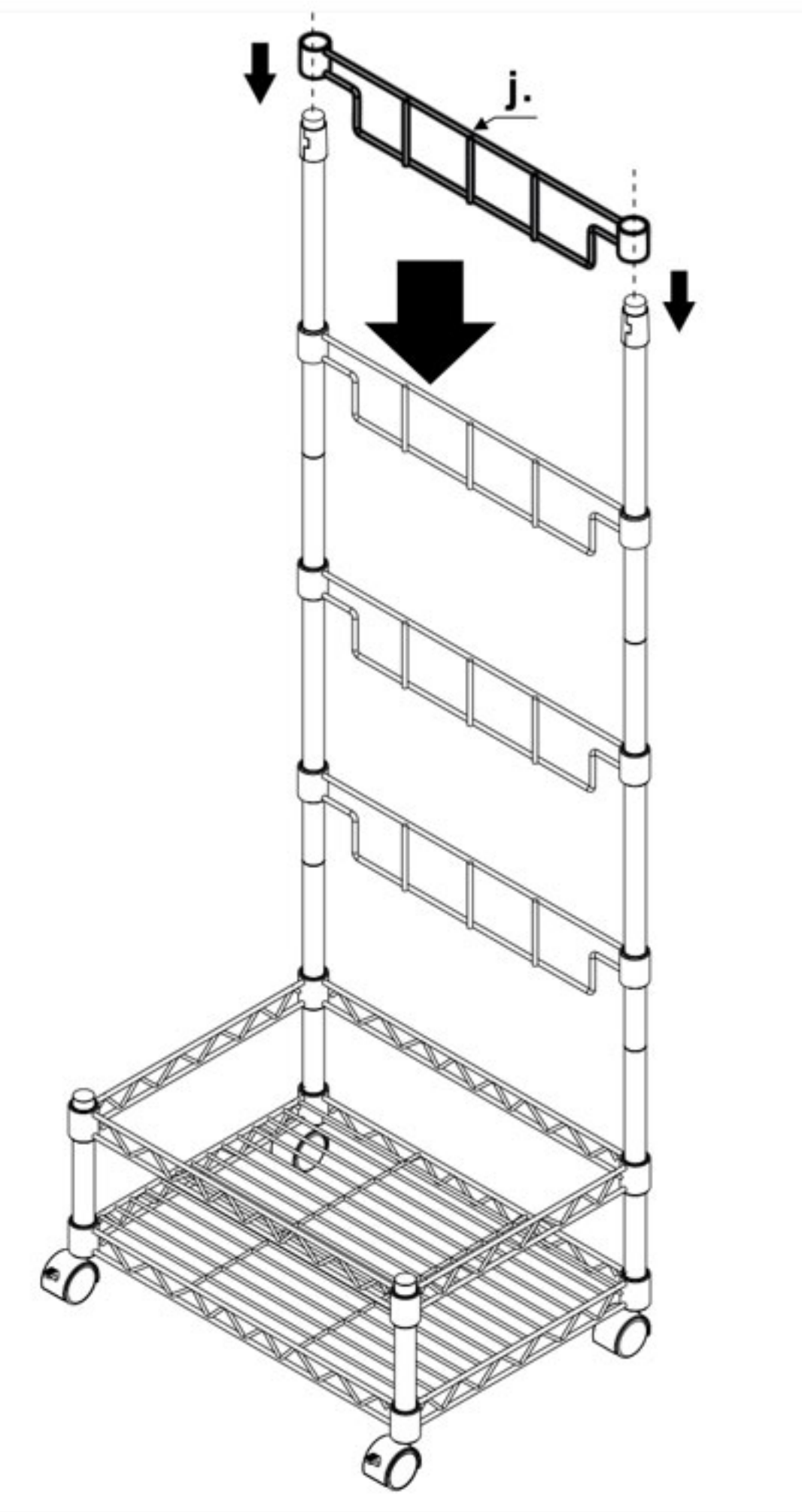


Step 9

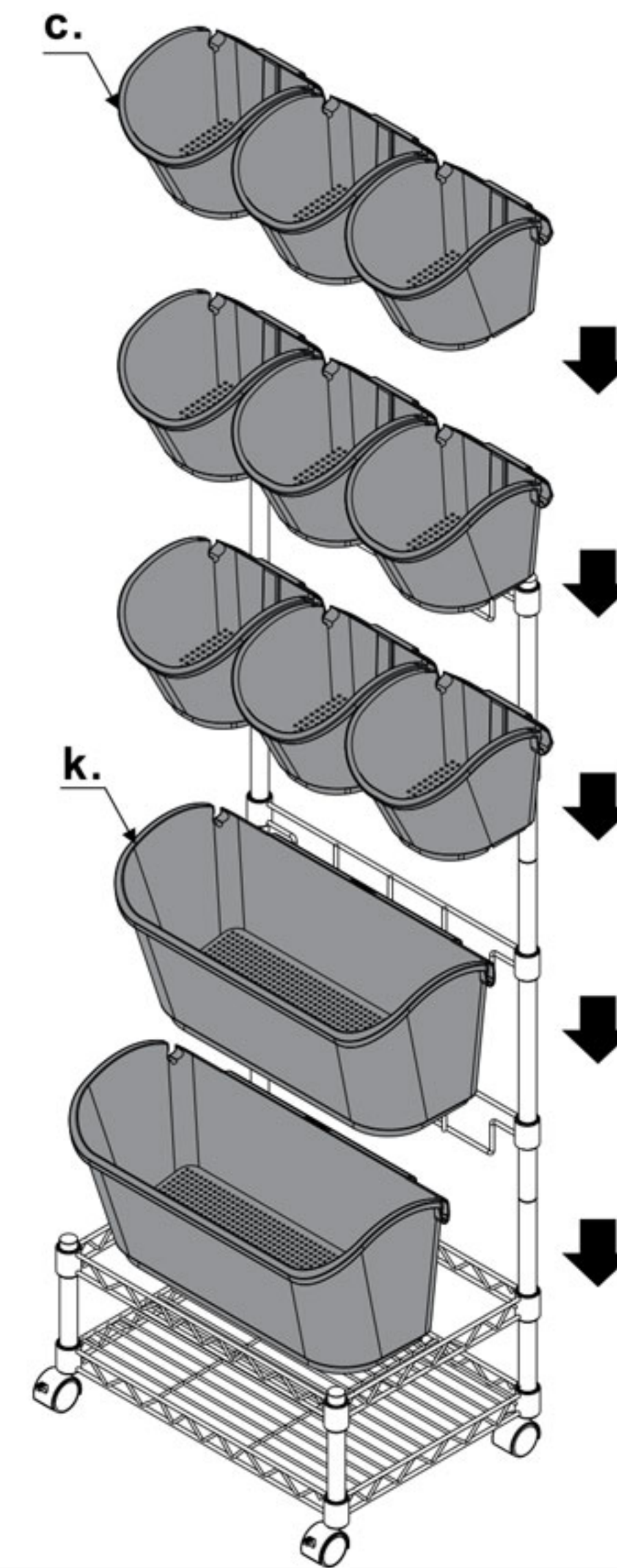


Step 10

Repeat **Steps 7 - 8** until all of the **Frame Hangers** have been placed on the poles. Place one set of **Frame Clips** and one **Frame Hanger** on the grooves at one time.



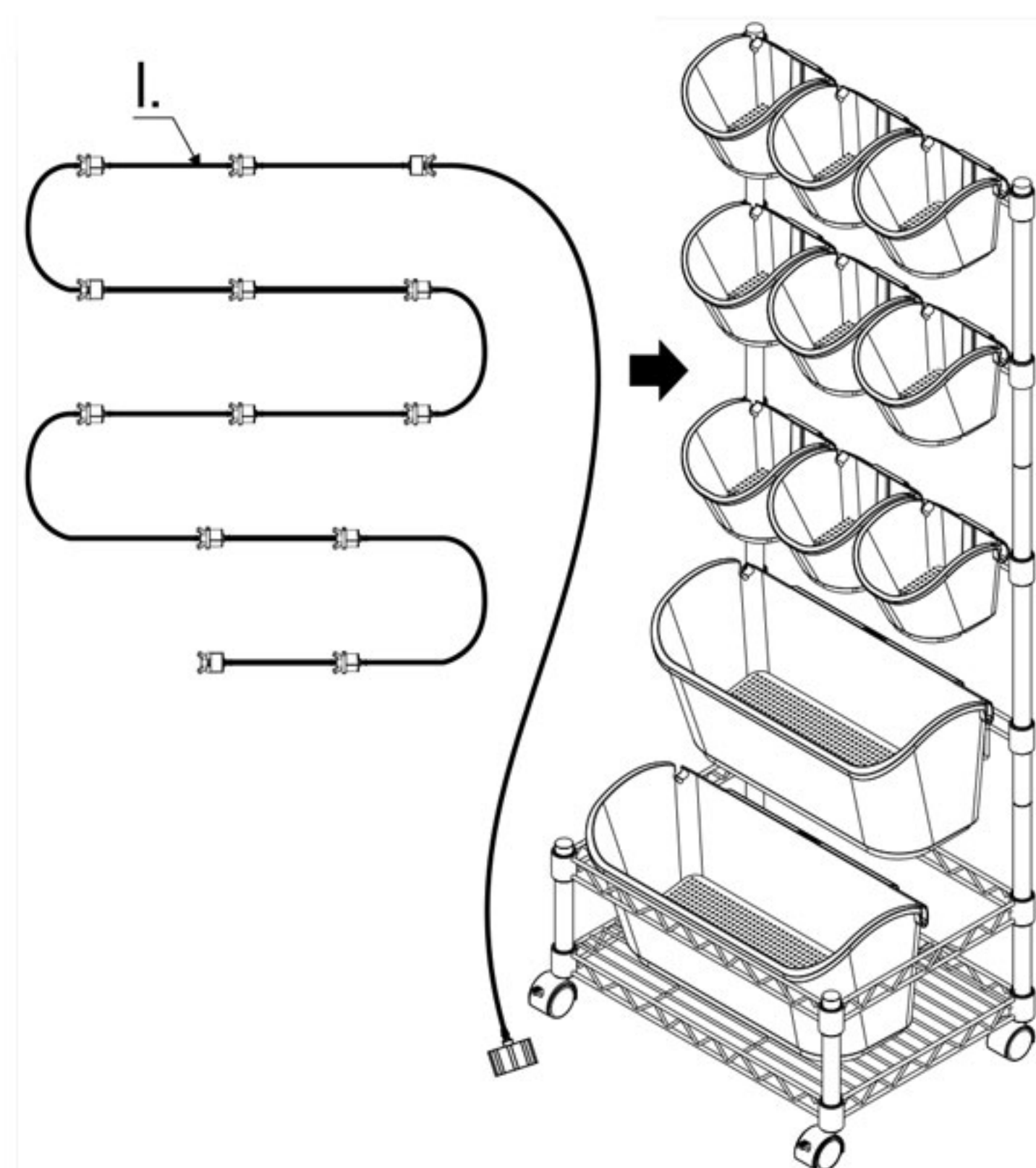
Step 11



Irrigation Assembly

Step 1

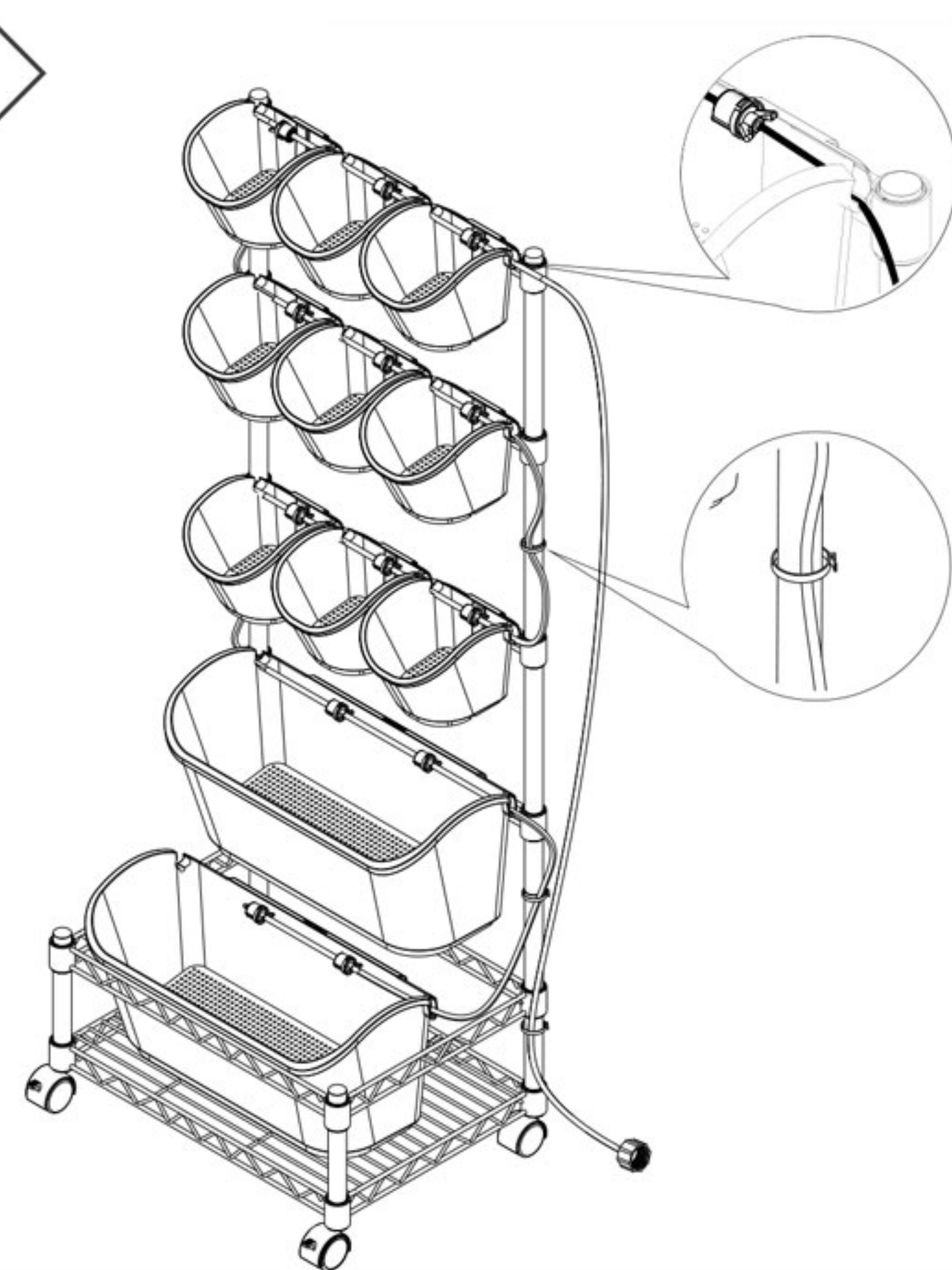
Unwind the **Pre-Assembled Irrigation Kit** and place into the **GreenWall® Pots** with the below configuration. This is to ensure even water distribution between the pots.



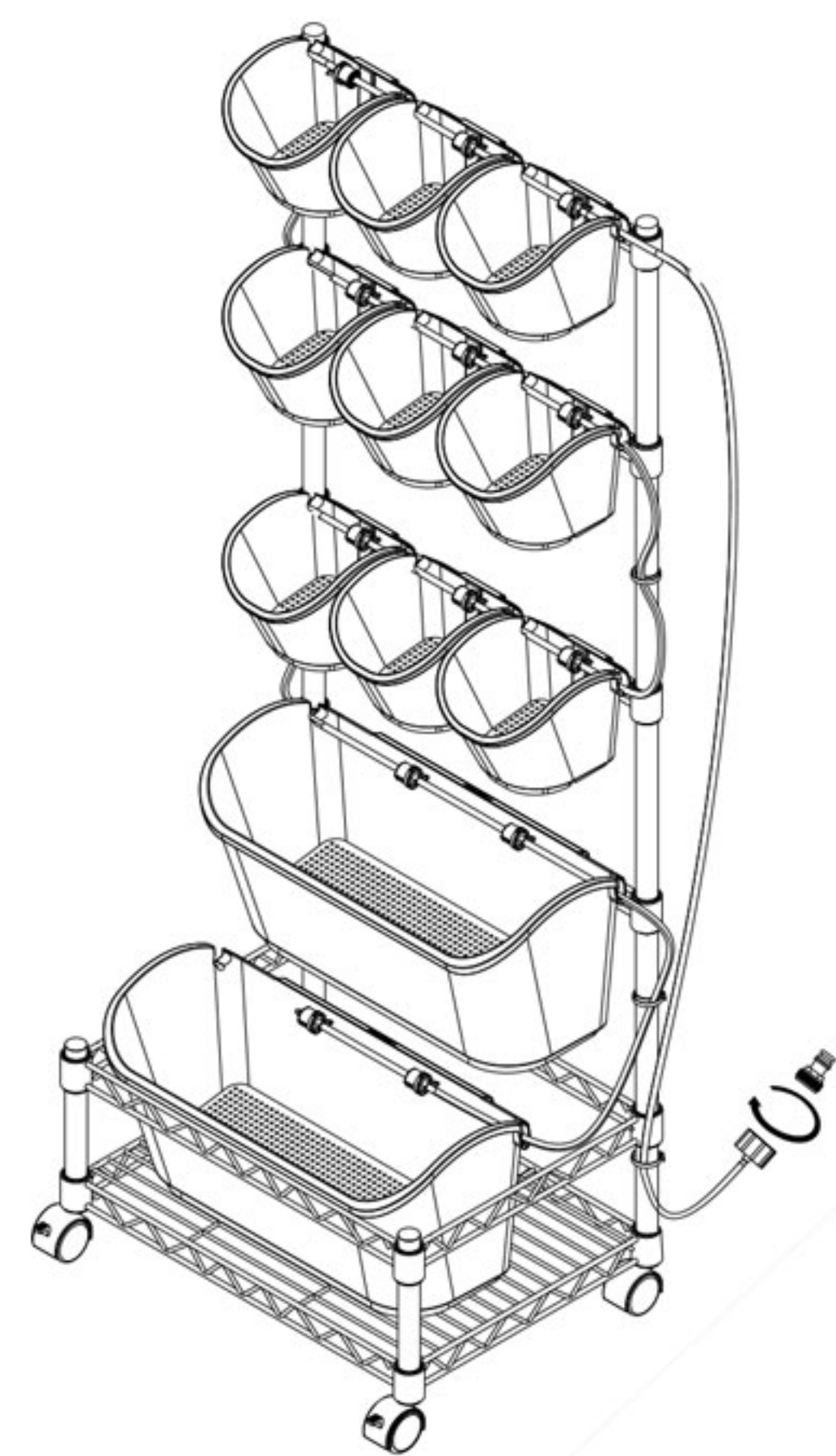
Step 2

Make sure the dripper is placed in the middle of the **GreenWall® Pots**, using the grooves on the back of the pots, push the tubing into place.

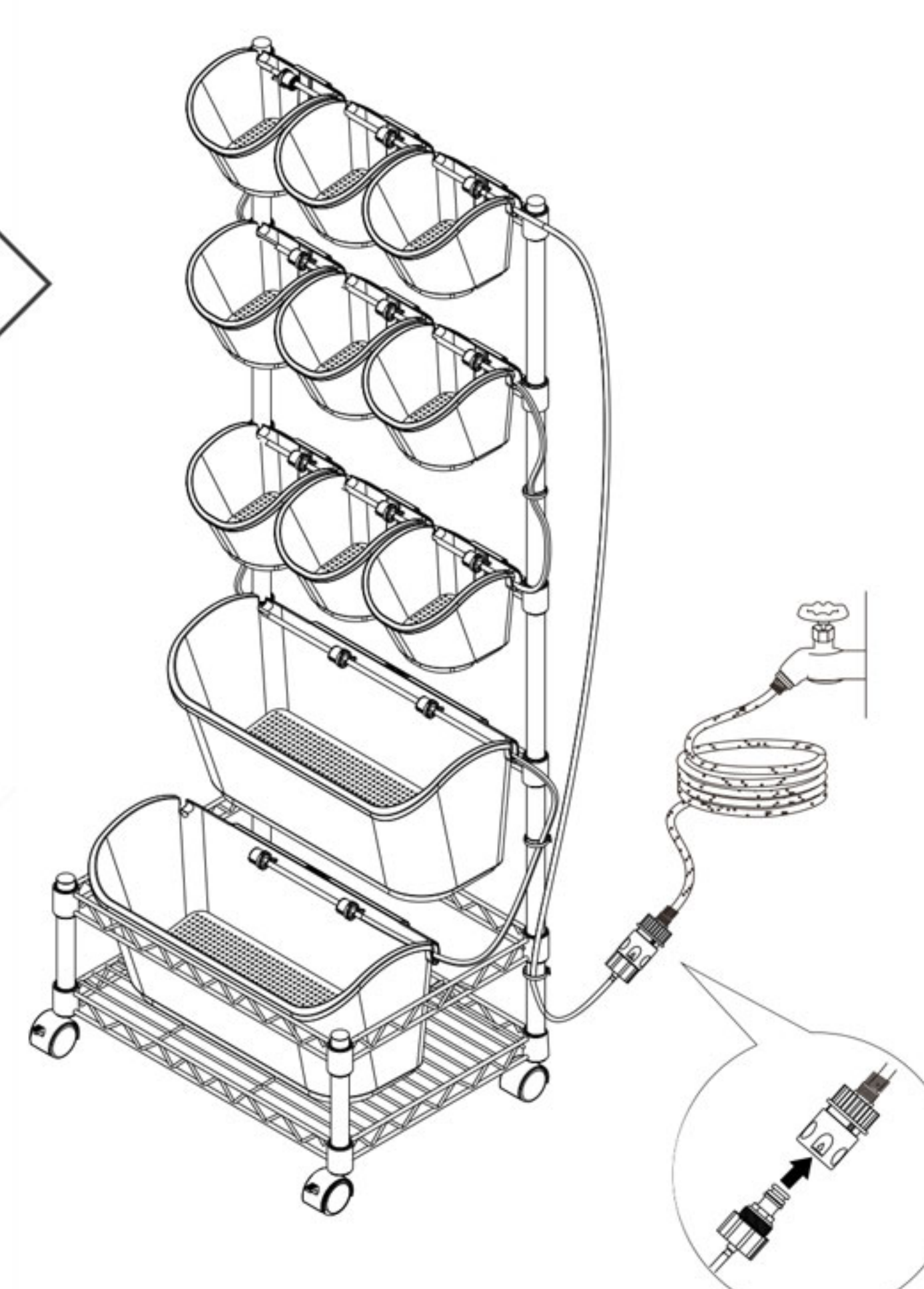
i Optional: Use cable ties to secure the tubing around the poles.



Step 3



Step 4



Thanks for being a
#SMARTGARDENER

We really appreciate having you as a customer, and would like to say thank you for choosing us. We recommend registering your new product on our website. This will ensure we have a copy of your purchase and activate



an extended warranty. Keep up to date to with relevant product information and special offers available through our newsletter.

www.holmanindustries.com.au/product-registration/

Thanks again for choosing Holman

HOLMAN

For the #SMARTGARDENER



For further instructions and tutorials, head to our YouTube Channel!

