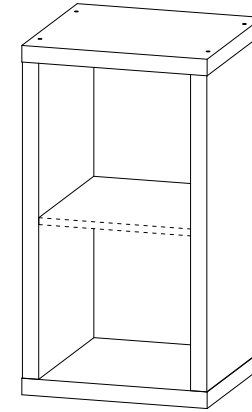
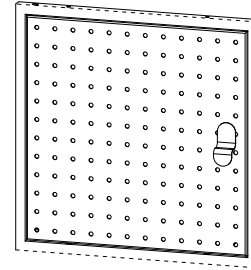
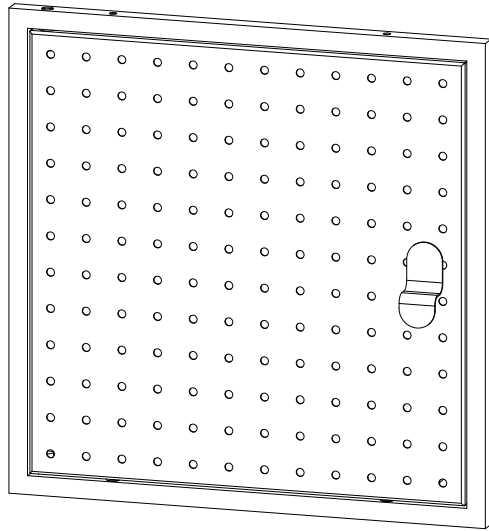
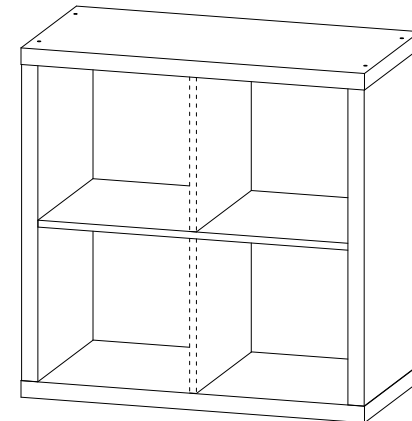
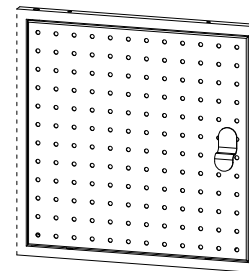
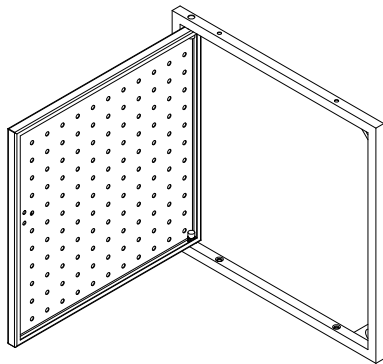


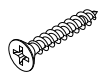
**METAL PEGBOARD DOOR
ASSEMBLY INSTRUCTIONS**



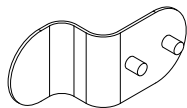
When installing this Metal Door into single-column Clever Cubes, ensure the top & bottom edges align with the front edge of the shelf.



When installing this Metal Door into multi-column Clever Cubes, ensure the left & right edges align with the front edge of the vertical division.



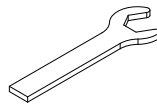
A x4



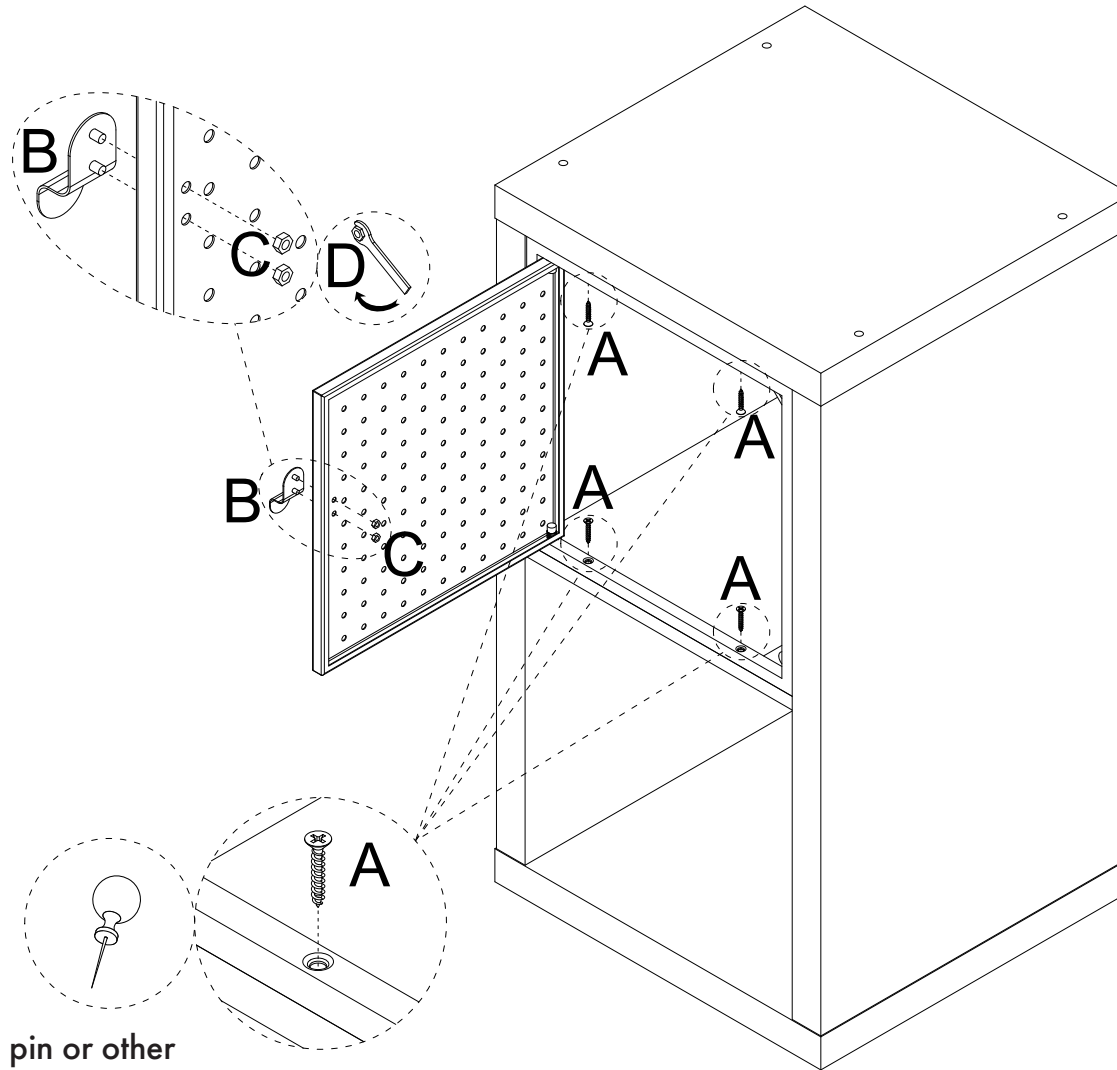
B x1



C x2



D x1



We recommend using a pin or other pointed object to create small pilot holes before using the screws to fix the door frame to the Clever Cube.

MADE IN CHINA

Distributed by:

Visy Retail Services Pty Ltd (AU): 1300 734 714

Visy Board Limited (NZ): 0800 443 058

flexistorage.com.au
flexistorage.co.nz