



AEG



AC756S

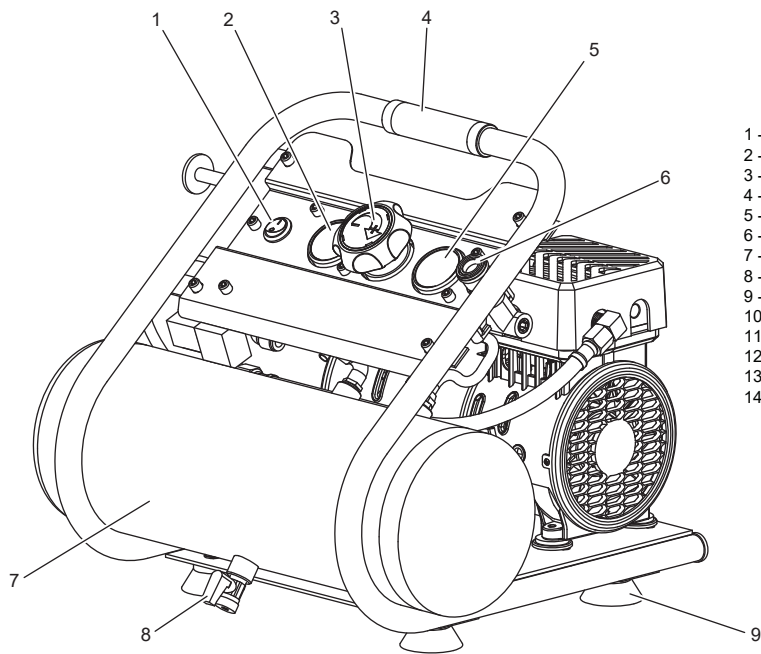
Original instructions



Important!

It is essential that you read the instructions in this manual before assembling, operating and maintaining the product.

Subject to technical modifications.



- 1 - On/off switch
- 2 - Tank pressure gauge
- 3 - Pressure regulator knob
- 4 - Carrying handle
- 5 - Regulated pressure gauge
- 6 - Quick connect coupler
- 7 - Tank
- 8 - Drain valve
- 9 - Rubber foot x4
- 10 - Safety valve
- 11 - Cord wrap hook x2
- 12 - Power cord
- 13 - Solenoid valve
- 14 - Air filter

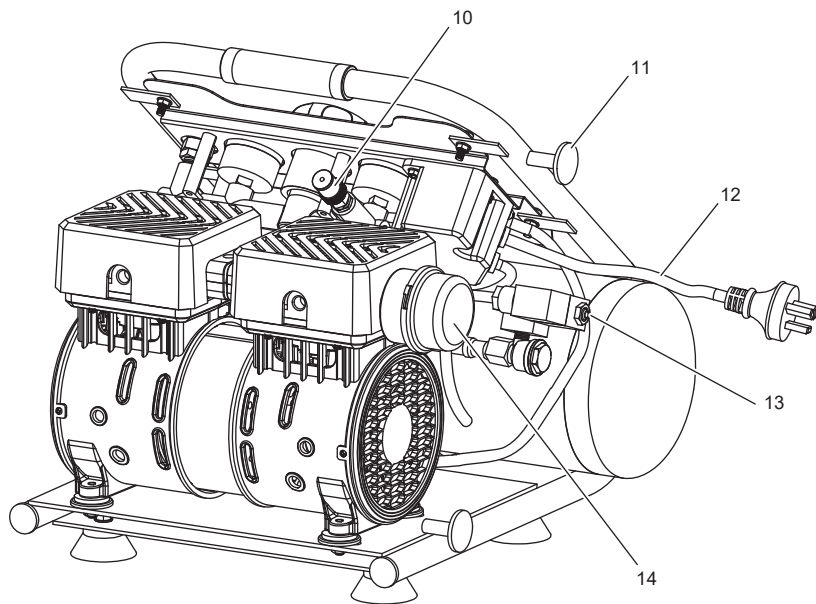
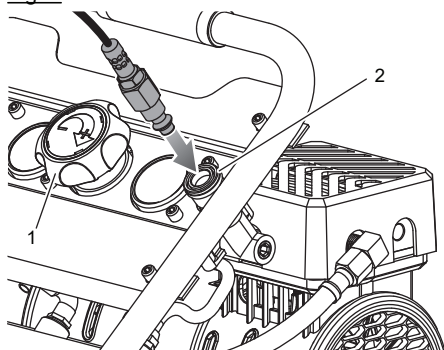
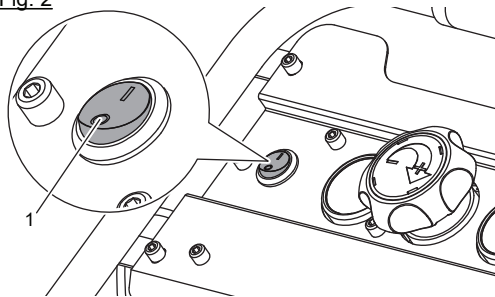


Fig. 1



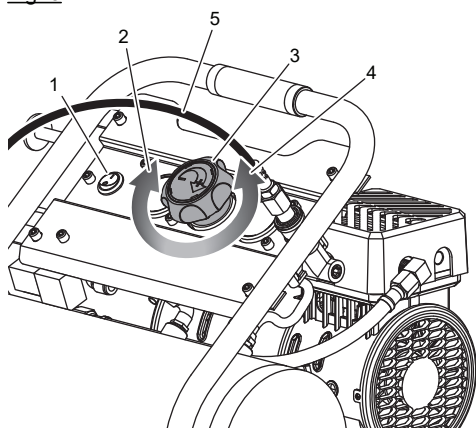
- 1 - Pressure regulator knob
- 2 - Quick connect coupler

Fig. 2



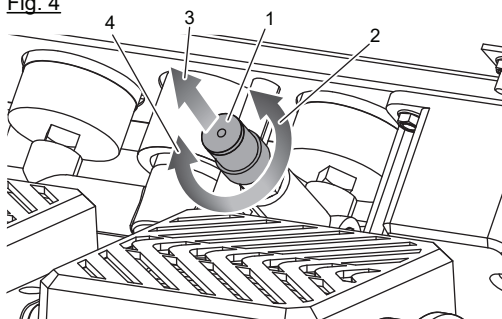
- 1 - On/off switch

Fig. 3



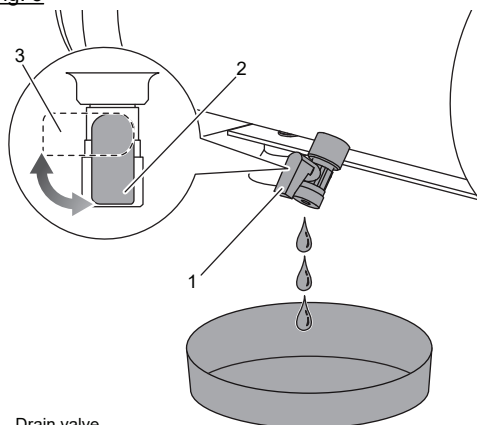
- 1 - On/off switch
- 2 - Turn clockwise to increase air pressure
- 3 - Pressure regulator knob
- 4 - Turn counterclockwise to decrease air pressure
- 5 - Air hose

Fig. 4



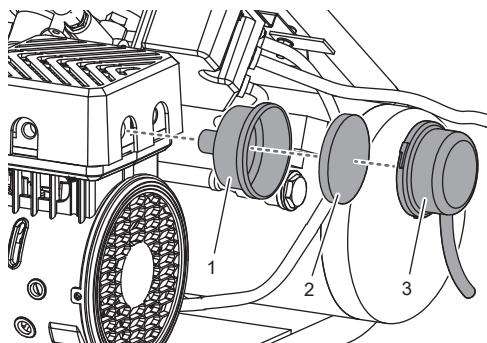
- 1 - Pressure relief valve
- 2 - Rotate counterclockwise to open
- 3 - Pull to release pressure
- 4 - Rotate clockwise to close

Fig. 5



- 1 - Drain valve
- 2 - Open position
- 3 - Closed position

Fig. 6



- 1 - Air filter housing
- 2 - Air filter
- 3 - Air filter cover

**TECHNICAL DATA****AIR COMPRESSOR****AC756S**

Rated motor power	600 W
Rated current	2.5 A
Air outlet	6.35mm (1/4") NITTO style connector/ coupler (suitable for NITTO fittings)
Quick connector fitting size	6.35 mm (1/4") BSP thread
Weight	16.4 kg
Product dimensions (L x W x H):	430 mm x 380 mm x 365 mm
Input	220 - 240 V AC, 50 Hz
Power cord length	2 m
Air tank capacity	6 L
Free air delivery	42 L/min
Maximum air delivery	80 L/min at 0 bar tank pressure
Maximum air pressure	8 bar (116 psi)
Working pressure range	6 - 8 bar (87 - 116 psi)
Pressure gauge	2 pcs, 41 mm diameter
Maximum rotational shaft speed	1400 min ⁻¹
Operating temperature	0 - 45°C
Measured sound pressure level (the reference number of the noise test code: EN ISO 2151:2008)	L _{pA} =64.27 dB(A), K _{pA} =3 dB(A)
Measured sound power level (the reference number of the noise test code: EN ISO 2151:2008)	L _{WA} =74.03 dB(A), K _{WA} =3 dB(A)

REPLACEMENT PARTS


Air filter	39890001010
------------------	-------------

 **WARNING!**

Read all safety warnings and all instructions. Failure to follow the warnings and instructions may result in electric shock, fire and/or serious injury.

Save all warnings and instructions for future reference.

GENERAL SAFETY WARNINGS

 **WARNING!** When using electric tools, basic safety precautions should always be followed to reduce the risk of fire, electric shock and personal injury. Read all these instructions before attempting to operate this product and save these instructions.

Read all instructions.

Know your power tool. Read the operator's manual carefully. Learn the applications and limitations as well as the specific potential hazards related to this tool.

WORK AREA SAFETY

- Keep work area clean. Cluttered areas and benches invite accidents. Do not leave tools or pieces of wood on the tool while it is in operation.
- Do not use in dangerous environments. Do not use power tools in damp or wet locations or expose to rain. Keep the work area well lit.
- Keep children and visitors away. All visitors should wear safety glasses and be kept a safe distance from work area. Do not let visitors contact tool or extension cord while operating.
- Never use in an explosive atmosphere. Normal sparking of the motor could ignite fumes.

ELECTRICAL SAFETY

- Guard against electrical shock by preventing body contact with grounded surfaces, e.g., pipes, radiators, ranges, refrigerator enclosures.
- Do not abuse cord. Never carry tool by the cord or yank it to disconnect from receptacle. Keep cord from heat, oil, and sharp edges.
- Should any electrical component of the tool fail to perform properly, shut off the power switch, remove the plug from the power source and replace before resuming operation.
- Do not expose power tools to rain or wet conditions. Water entering a power tool will increase the risk of electric shock.

PERSONAL SAFETY

- Stay alert and exercise control. Watch what you are doing and use common sense. Do not operate tool when you are tired. Do not rush.
- Dress properly. Do not wear loose clothing, neckties, or jewellery that can get caught and draw you into moving parts. Rubber gloves and nonskid footwear are recommended when working outdoors. Also wear protective hair covering to contain long hair.
- Always wear safety glasses with side shields. Everyday eyeglasses have only impact-resistant lenses; they are not safety glasses.
- Protect your lungs. Wear a face or dust mask if the operation is dusty.
- Protect your hearing. Wear hearing protection during extended periods of operation.
- Do not overreach. Keep proper footing and balance at all times.





- Remove adjusting keys and wrenches. Form habit of checking to see that keys and adjusting wrenches are removed from tool before turning it on.

AIR COMPRESSOR USE AND CARE

- Do not exceed the pressure rating of any component in the system.
- Protect material lines and air lines from damage or puncture. Keep hose and power cord away from sharp objects, chemical spills, oil, solvents, and wet floors.
- Check hoses for weak or worn condition before each use, making certain all connections are secure. Do not use if defect is found. Purchase a new hose or notify an authorised service centre for examination or repair.
- Release all pressures within the system slowly. Dust and debris may be harmful.
- Store idle air compressors out of the reach of children and other untrained persons. Air compressors are dangerous in the hands of untrained users.
- Maintain air compressors with care. Follow maintenance instructions. Properly maintained products are easier to control.
- Check for misalignment or binding of moving parts, breakage of parts, and any other condition that may affect the product's operation. If damaged, have the air compressor serviced before using. Many accidents are caused by poorly maintained products.
- Keep the exterior of the air compressor dry, clean, and free from oil and grease. Always use a clean cloth when cleaning. Never use brake fluids, gasoline, petroleum-based products, or any strong solvents to clean the unit. Following this rule will reduce the risk of deterioration of the enclosure plastic.

SERVICE

- When servicing use only identical replacement parts. Use of any other parts may create a hazard or cause product damage.

Save these instructions. Refer to them frequently and use them to instruct other users. If you loan someone this tool, loan them these instructions also.

AIR COMPRESSOR SAFETY WARNINGS

- Know your air compressor. Read operator's manual carefully. Learn its applications and limitations, as well as the specific potential hazards related to this product. Following this rule will reduce the risk of electric shock, fire, or serious injury.
- Drain tank of moisture after each day's use. If unit will not be used for a while, it is best to leave drain valve open until such time as it is to be used. This will allow moisture to completely drain out and help prevent corrosion on the inside of tank.
- Risk of fire or explosion. Do not spray flammable liquid in a confined area. Spray area must be well ventilated. Do not smoke while spraying or spray where spark or flame is present. Keep compressors as far from the spraying area as possible, at least 10 m (33 feet) from the spraying area and all explosive vapours.
- Risk of bursting. Do not adjust regulator to result in output pressure greater than marked maximum pressure of attachment. Do not use at pressure greater than 8 bar.
- To reduce the risk of electric shock, do not expose to rain. Store indoors.

- Inspect tank yearly for rust, pin holes, or other imperfections that could cause it to become unsafe.
- Never weld or drill holes in the air tank.
- Never use the air compressor with the guard removed.
- Make sure the hose is free of obstructions or snags. Entangled or snarled hoses can cause loss of balance or footing and may become damaged.
- Use the air compressor only for its intended use. Do not alter or modify the unit from the original design or function.
- Always be aware that misuse and improper handling of this product can cause injury to yourself and others.
- Never leave a tool unattended with the air hose attached.
- Never point any air tool toward yourself or others.
- Do not operate this air compressor if it does not contain a legible warning label.
- Do not continue to use a tool or hose that leaks air or does not function properly.
- Always disconnect the air supply and power supply before making adjustments, servicing a product, or when a product is not in use.
- Do not attempt to pull or carry the air compressor by the hose.
- Your tool may require more air consumption than this air compressor is capable of providing.
- Always follow all safety rules recommended by the manufacturer of your air tool, in addition to all safety rules for the air compressor. Following this rule will reduce the risk of serious personal injury.
- Never direct a jet of compressed air toward people or animals. Take care not to blow dust and dirt towards yourself or others. Following this rule will reduce the risk of serious injury.
- Do not use this air compressor to spray chemicals. Your lungs can be damaged by inhaling toxic fumes. A respirator may be necessary in dusty environments or when spraying paint. Do not carry while painting.
- Inspect product cords and hoses periodically and, if damaged, have them repaired at your nearest authorised service centre. Constantly stay aware of cord location. Following this rule will reduce the risk of electric shock or fire.
- Never use an electrical adaptor with this grounded plug.
- Check for damaged parts. Before further use of the air compressor or air tool, a guard or other part that is damaged should be carefully checked to determine that it will operate properly and perform its intended function. Check for alignment of moving parts, binding of moving parts, breakage of parts, mounting, and any other conditions that may affect its operation. A guard or other part that is damaged should be properly repaired or replaced by an authorised service centre. Following this rule will reduce the risk of serious injury.
- Never store a tool with an air line connected. Storing the tool while connected to an air supply can result in unexpected operation, firing or movement and possible serious personal injury.
- Protect your lungs. Wear a face or dust mask if the operation is dusty. Following this rule will reduce the risk of serious personal injury.
- If the power supply cord is damaged, it must be replaced only by the manufacturer or by an authorised service centre to avoid risk.
- Save these instructions. Refer to them frequently and use them



to instruct others who may use this product. If you loan someone this product, loan them these instructions also.

- The machine shall be connected to a circuit protection device (fuse or circuit breaker).
- Operate the machine from the front of the control panel.
- When the machine is in operation, many parts of machine may cause a high temperature. Use necessary personal protection equipment such as gloves to avoid injuries resulting from a high temperature.
- When using the product with an extension cord, use a 3*1.0 mm² heavy duty extension cord only.
- This machine is not intended for use by persons (including children) with reduced physical, sensory or mental capabilities, or lack of experience and knowledge, unless they have been given supervision or instruction concerning use of the appliance by a person responsible for their safety. Children should be supervised to ensure that they do not play with the machine.

RESIDUAL RISKS

Even when the product is used as prescribed, it is still impossible to completely eliminate certain residual risk factors. The following hazards may arise and the operator should pay special attention to avoid the following:

- Use the product only for its intended use. Do not alter or modify the product from the original design or function.
- Always be aware that misuse and improper handling of the product can cause injury to yourself and others.
- Never leave an air compressor unattended with the hose attached to a tool.
- Do not continue to use an air compressor or hose which leaks air or does not function properly.
- Risk of bursting
 - Do not adjust regulator to result in output pressure greater than marked maximum pressure of attachment.
- Heat and high temperature are generated while motor and cylinder are running. Touching exposed metal can result in serious burns.
 - Always keep the air compressor away from the working zones.
- Injury caused by noise
 - Wear ear protection.
- The gas from air compressor can propel dirt, chips, loose particles and small objects at high speed. This may result in objects being thrown into eyes or other possible serious injury.
 - Always wear proper personal protective equipment when operating different tools.

⚠ WARNING! Do not remove the NITTO couplers on the product. Altering the NITTO style couplers which are fixed and sealed on the product will void your warranty. If you would like to use alternative style fittings, please use an adaptor for the application.

SPECIFIED CONDITIONS OF USE

This compressor is designed to supply pressurised air only. It must not be used to compress any other gas. It is designed to operate air powered tools. The compressor should be operated indoors only.

UNPACKING

Carefully remove the product and any accessories from the box.

⚠ WARNING! Inspect the product carefully to make sure no breakage or damage occurred during shipping. Do not discard the packing material until you have carefully inspected and satisfactorily operated the product.

⚠ WARNING! If any parts are damaged or missing do not operate the product until the parts are replaced. Use of the product with damaged or missing parts could result in serious personal injury.

⚠ WARNING! Do not attempt to modify the product or create accessories not recommended for use with the product. Any such alteration or modification is misuse and could result in a hazardous condition leading to possible serious personal injury.

Packing list

- Air compressor
- Operator's manual

OPERATION

⚠ DANGER! Do not disassemble the Nitto couplers, check valve, tank drain valves or pressure relief valve with air in tank — bleed tank.

⚠ WARNING! Always wear eye protection with side shields. Failure to do so could result in objects being thrown into your eyes resulting in possible serious injury.

⚠ WARNING! Do not attach any tools to the open end of the hose until start-up has been completed.

⚠ WARNING! The solenoid valve releases pressure when the air compressor reaches the maximum pressure. The LED of the solenoid valve should light up normally when it is powered on. Keep the solenoid valve clean, and do not block the vent with debris. User is not allowed to remove or modify the solenoid nut.

⚠ CAUTION! Do not use in an environment that is dusty or otherwise contaminated. Using the air compressor in this type of environment may cause damage to the unit.

ATTACHING/DISCONNECTING AIR HOSE

See figure 1.

NOTE: For operation using pressures above 6 bar, (87 psi) delivery hoses should be fitted with a safety cord, e.g., wire rope.

1. Make sure the air compressor is off and unplugged.
2. Rotate pressure regulator knob fully counterclockwise.
3. Confirm that the outlet pressure is at zero (0) bar.
4. Attach hose with quick connect air fitting to 6.35 mm (1/4 in.) quick connect coupler (regulated pressure) on air compressor. Make sure to push the hose adapter end fully into the coupler until the sleeve springs forward to lock it in place.

To disconnect an air hose or an air tool:

1. Rotate pressure regulator knob fully counterclockwise.
2. Confirm that the outlet pressure is at zero (0) bar.
3. When disconnecting a hose from quick coupler, always firmly hold the release end of hose.
4. Pull back on the release sleeve on the quick coupler.
5. With a firm grip, pull out the quick connect air fitting that is attached to the quick coupler.



TURNING THE AIR COMPRESSOR ON/OFF

See figure 2.

1. With the air compressor plugged in, press the on/off switch to the ON (I) position to power the compressor on.
2. To turn the air compressor off, press the power switch to the OFF (O) position.

NOTE: When the compressor is in the ON (I) position, the air compressor will automatically turn on when the designated tank air pressure drops below the preset pressure limit. It will also shut off again when the desired pressure is reached.

⚠ WARNING! Never exceed the air tool's pressure rating as recommended by the manufacturer. When using this air compressor as an inflation device, always follow the maximum inflation guidelines stated by the manufacturer of the item being inflated.

⚠ WARNING! Always ensure the switch is in the OFF (O) position and the regulated pressure gauge reads zero before changing air tools or disconnecting the hose from the air outlet. Failure to do so could result in possible serious personal injury.

USING THE AIR COMPRESSOR

See figure 1-3.

1. Ensure the on/off switch is in the OFF (O) position and air compressor is unplugged.
2. If not already installed, attach hose to compressor as previously instructed.
3. Attach 6.35 mm (1/4 in.) quick connect air fitting to accessory or tool you intend to use.
4. Insert the other end of the quick connect air fitting to the quick coupler (regulated pressure) on the open end of hose.
5. Connect the power cord to the power supply.
6. Turn the switch ON (I).
7. Rotate pressure regulator knob to desired line pressure. Turning the knob clockwise increases air pressure at the outlet; turning counterclockwise reduces air pressure at the outlet.
8. Following all safety precautions in this manual and the manufacturer's instructions in the air tool manual, you may now proceed to use your air-powered tool.

⚠ WARNING! Air powered tools may require more air consumption than this air compressor is capable of providing. Check the tool manual to avoid damage to the tool or risk of personal injury.

9. Control the amount of air flow with the pressure regulator knob. Turning the knob fully counterclockwise will completely stop the flow of air.

NOTE: Always use the minimum amount of pressure necessary for your application. Using a higher pressure than needed will drain air from the tank more rapidly and cause the unit to cycle on more frequently.

10. When finished, always drain the tank and unplug the unit. Never leave the unit plugged in and/or running unattended.
11. It is recommended to use a residual current device with a rated residual current of 30 mA or less.

CHECKING THE PRESSURE RELIEF VALVE

See figure 4.

⚠ WARNING! Do not attempt to tamper with the pressure relief valve. Anything loosened from this device could fly up and hit you. Failure to heed this warning could result in death or serious personal injury.

The pressure relief valve will automatically release air if the air tank pressure exceeds the preset maximum, and will stop releasing air

once the tank pressure drops to within the preset minimum.

1. Turn the air compressor on and allow the tank to fill. The compressor will shut off when the pressure reaches the preset maximum.
2. Turn the air compressor off.
3. Rotate the pressure relief valve counterclockwise. Pull the valve and hold three to five seconds to release air. Air should rapidly escape. Release the pressure relief valve, and the air should stop escaping.
4. Rotate the pressure relief valve clockwise to close.

Keep the pressure relief valve clean and do not cover it with any object.

⚠ WARNING! If air leaks after the pressure relief valve has been closed, or if the valve is stuck and cannot be actuated, do not use the air compressor until the pressure relief valve has been replaced. Use of the air compressor in this condition could result in serious personal injury.

DRAINING THE TANK

See figure 5.

To prevent tank corrosion and keep moisture out of the air used, the air tank of the compressor should be drained daily.

To drain:

1. Turn the air compressor off.
2. Rotate the pressure relief valve counterclockwise. Pull the valve until the tank pressure gauge reads less than 14 bar (20 PSI).
3. Turn the drain valve lever counterclockwise to open the drain valve and drain the moisture.

NOTE: Condensate is a polluting material and should be disposed of in compliance with local regulations.

4. Rotate the pressure relief valve clockwise to close.
5. If drain valve is clogged, attach an air blow gun to the compressor and release the pressure from the tank. Remove and clean the drain valve, then reinstall.

⚠ DANGER! Unplug the air compressor and release all air from the tank before servicing. Failure to depressurise tank before attempting to remove valve may cause serious personal injury.

6. Rotate drain valve lever clockwise until tightly closed.

TRANSPORTING THE AIR COMPRESSOR

The air compressor should be moved as instructed. This will help you avoid damaging the air compressor.

Ensure the air compressor is unplugged and the power cord is secured from free movement.

To move the air compressor:

1. Ensure the air compressor is unplugged and the power cord is secured from free movement.
2. Grasp the carrying handle firmly. Lift the air compressor into a safe and comfortable carrying position.

NOTE: Use good lifting techniques and get help if needed.

3. Move the air compressor to the desired location. Pay extra attention to the drain valve which is under the tank during transportation, to avoid any damage.
4. Lower the air compressor until it sits securely on a flat surface.

STORAGE

1. Press the on/off switch to the OFF position to turn off the





compressor.

- Unplug the compressor.
- Run the air tool to relieve the air pressure in the hose, then remove the air hose and the tool, or release the pressure from the tank by the drain valve.
- Drain water from the tank as instructed in Draining the Tank section. Leave the valve open until the next usage.
- Wrap the power cord around the cord wrap hooks.
- Store the air compressor in its normal operating position in a dry and protected area.

⚠ WARNING! Water will condense in the air compressor tank when the compressor is in operation. Water left in the tank can cause the tank to weaken and corrode, increasing the risk of tank rupture.

⚠ WARNING! Always disconnect the air hose from tools whenever not in use or while servicing. During maintenance, a tool connected to air hose may operate accidentally, causing serious personal injury!

⚠ WARNING! Failure to unplug the air compressor before storage may result in the compressor running continuously, causing overheating, damage to the compressor, and possibly a fire.

MAINTENANCE

⚠ WARNING! When servicing use only original replacement parts. Use of any other parts may create a hazard or cause product damage.

⚠ WARNING! Always wear eye protection with side shields. Failure to do so could result in objects being thrown into your eyes resulting in possible serious injury.

⚠ WARNING! Always release all pressure, disconnect from power supply, and allow unit to cool before cleaning or making repairs on the air compressor.

GENERAL MAINTENANCE

Avoid using solvents when cleaning plastic parts. Most plastics are susceptible to damage from various types of commercial solvents and may be damaged by their use. Use clean cloths to remove dirt, dust, oil, grease, etc.

Do not modify this product in any way or use accessories not approved by the manufacturer. Your safety and that of others may be compromised.

Disconnect the power supply before making adjustments or when doing any maintenance on the machine.

⚠ WARNING! Do not at any time let brake fluids, gasoline, petroleum-based products, penetrating oils, etc., come in contact with plastic parts. Chemicals can damage, weaken or destroy plastic which may result in serious personal injury.

REPLACING THE AIR FILTER

See figure 6.

Follow the instructions below to replace the air filter:

Normal environment

Check and clean the filter once a month. Replace the filter if damaged or heavily clogged.

Heavy-dust environment

Check and clean the filter once a week. Replace the filter if damaged or heavily clogged.

To replace the air filter:

- Remove the air filter cover by turning counterclockwise.
- Remove the air filter.
- Install new air filter.
- Refit the air filter cover and rotate clockwise to secure.

⚠ WARNING! For greater safety and reliability, all repairs should be performed by an authorised AEG service centre.

Use only AEG accessories and spare parts. Should components need to be replaced which have not been described, please contact one of our AEG service agents (see our list of guarantee/service addresses).

If needed, an exploded view of the product can be ordered. Please state the Article No. as well as the machine type printed on the label and order the drawing at your local service agents or directly at:

Techtronic Industries Australia Pty Ltd

PO Box 1065
Mount Waverley VIC 3149
Tel. no. 1300 234 797
Australia

Techtronic Industries N.Z. Limited

PO Box 12-806
Penrose AUCKLAND 1642
Tel no. 0800 234 797
New Zealand

SYMBOLS



Safety alert



Please read the instructions carefully before starting the machine.



Always wear goggles when using the machine.



Wear ear protectors.



Regulatory Compliance Mark (RCM). Product meets applicable regulatory requirements.



Indoor use



Wet condition alert. Do not expose to rain. Store indoors.



Risk of breathing. Air obtained directly from the air compressor should never be used to supply air for human consumption.



Risk of bursting. Do not adjust regulator to result in output pressure greater than marked maximum pressure of attachment. Do not use at pressure greater than 8 bar.



Hot surface: To reduce the risk of injury or damage, avoid contact with any surface.





This compressor may start without warning.



Risk of fire or explosion. Spray area must be well ventilated. Do not smoke while spraying or spray where spark or flame is present. Keep compressors as far from the spraying area as possible. Keep compressor, at least 10 m from the spraying area and all explosive vapours.



Caution, risk of electric shock



Do not dispose of electric tools together with household waste material. Electric tools and electronic equipment that have reached the end of their life must be collected separately and returned to an environmentally compatible recycling facility.

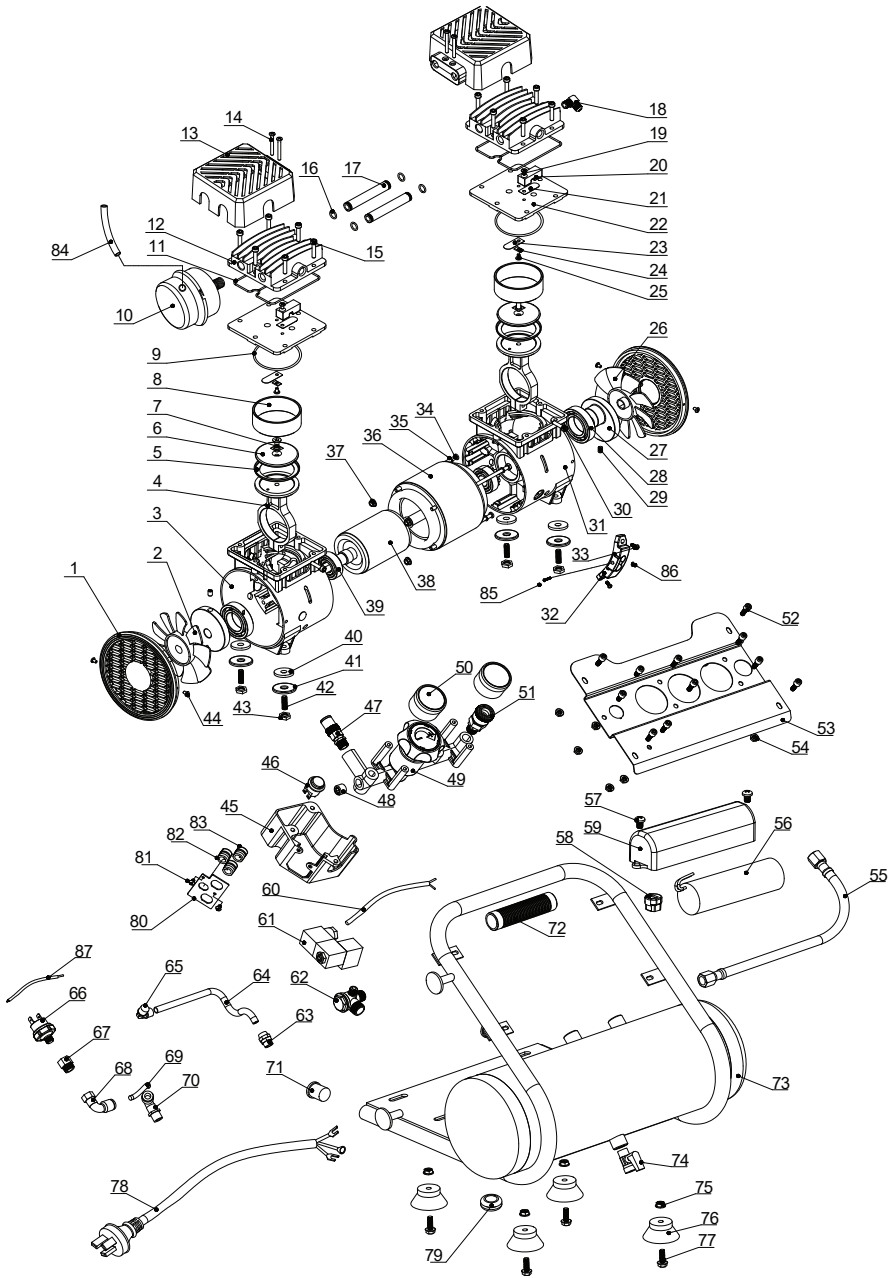


TROUBLESHOOTING

PROBLEM	POSSIBLE CAUSE	SOLUTION
Compressor will not run	Loss of power or overheating	Check for proper use of extension cord
	No electrical power	Check to be sure unit is plugged in
		Check fuse/breaker
	Blown shop/house fuse	Replace shop/house blown fuse
	Shop/house breaker open	Reset shop/house breaker, determining why problem happened
	Current limiting protector open	Reset motor overload to restart after motor has cooled.
	Bad pressure switch	Replace pressure switch
Tank is at maximum pressure	Compressor will turn on when tank pressure drops to cut-in pressure	
Motor hums but cannot run or runs slowly	Low voltage	Check with voltmeter
	Wrong gauge wire or length of extension cord	Check for proper gauge wire and cord length
	Shorted or open motor winding	Take compressor to service centre
	Defective check valve or unloader	Take compressor to service centre
Current limiting protector cuts out repeatedly	Low voltage	Check with voltmeter
	Lack of proper ventilation/room temperature too high	Move compressor to well-ventilated area
	Wrong gauge wire or length of extension cord	Check for proper gauge wire and cord length
Air tank pressure drops when compressor shuts off	Loose connections (fittings, tubing, etc.)	Check all connections with soap and water solution and tighten
	Loose drain valve	Tighten drain valve
	Check valve leaking	Take compressor to service centre ⚠ DANGER! Do not disassemble check valve, tank drain valve or pressure relief valve with air in tank — bleed tank.
Excessive moisture in discharge air	Excessive water in air tank	Drain tank
	High humidity	Move to area of less humidity; use air line filter
Compressor runs continuously	Defective pressure switch	Take compressor to service centre
	Excessive air usage	Take compressor to service centre
		Decrease air usage; compressor not large enough for tool's requirement
	Piston rings are worn	Replace piston rings; air inlet filter is blocked, call customer service for assistance
Air output lower than normal	Broken inlet valves	Take compressor to service centre
	Connections leaking	Tighten connections



PARTS LIST





No.	Description	No.	Description	No.	Description	No.	Description
1	Cover	23	Valve	45	Protector box	67	Connector
2	Left fan	24	Washer	46	Switch	68	Elbow
3	Left crankcase	25	Bolt	47	Pressure relief valve	69	PU tube
4	Pistod rod	26	Right fan	48	Blockage	70	Elbow
5	Piston cup	27	Shaft seal	49	Regulator	71	Blockage
6	Binder plate	28	Bearing	50	Pressure gauge	72	Handle cover
7	Bolt	29	Bolt	51	Quick valve	73	Tank
8	Cylinder	30	Bolt	52	Bolt	74	Drain valve
9	Obturatoring ring	31	Right crankcase	53	Panel	75	Nut
10	Air filter	32	Protection ring	54	Nut	76	Cushion foot
11	Obturatoring ring	33	Bolt	55	High pressure pipe	77	Bolt
12	Cylinder head	34	Bolt	56	Capacitor	78	Power line
13	Protection cover	35	Spring washer	57	Bolt	79	Protective circle
14	Bolt	36	Stator	58	Protection ring	80	Iron plate
15	Bolt	37	Nut	59	Capacitor cover	81	Bolt
16	Obturatoring ring	38	Rotator	60	Electrical wire	82	Thread buckle
17	Connecting pipe	39	Bearing	61	Electromagnetic valve	83	Thread buckle
18	Elbow	40	Rubber mat	62	Check valve	84	PU pipe
19	Bolt	41	Washer	63	Connector	85	Bolt
20	Limiting block	42	Bolt	64	PU tube	86	Nut
21	Valve	43	Nut	65	Elbow	87	Electrical wire
22	Valve plate	44	Bolt	66	Pressure switch		







AEG



www.aegpowertools.com.au
www.aegpowertools.co.nz

Techtronic Industries Australia Pty Ltd

31 Gilby Road, Mount Waverley
VIC, 3149, Australia

Techtronic Industries N.Z. Limited

Unit C, 70 Business Parade South
Highbrook, Auckland 2013, New Zealand

20230505v2

*AEG is a registered trade mark used under license from AB Electrolux (publ)
NITTO is a registered trade mark owned by Nitto Kohki Co., Ltd.*

