



# Verta Passage Set Installation Instructions

## Tools required

- Tape measure
- Soft pencil
- Level
- 6.5mm, 22mm & 24mm drill bits
- Power drill
- Philips screwdriver

### Note:

Check door thickness first.

- For doors 35-40mm thick, use 25mm M4 screws (x2)
- For doors 40-50mm thick, use 35mm M4 screws (x2)

## Instruction steps

### 1. Prepare door (template attached)

If door is predrilled, go to step 2, otherwise follow the steps below

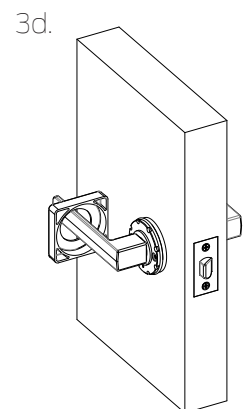
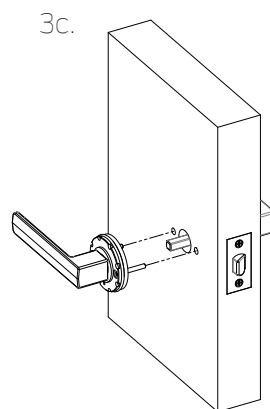
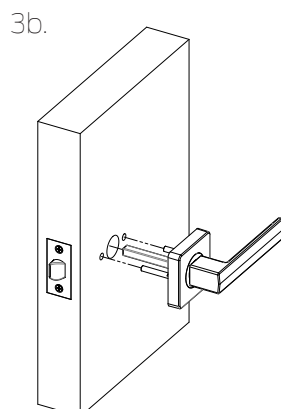
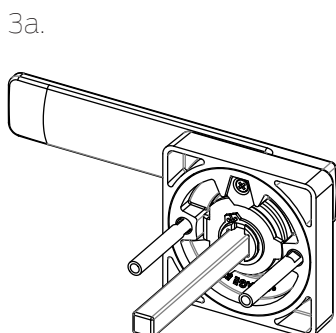
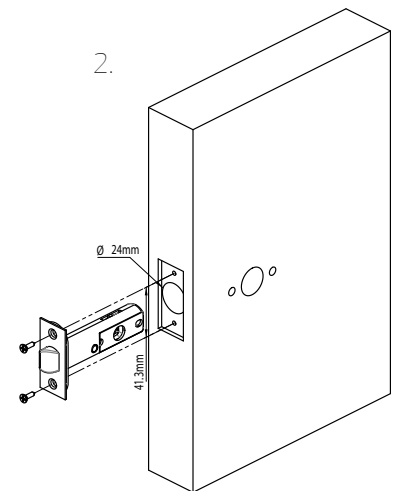
- With a soft pencil, mark holes as per template
- Check alignment using a level
- Drill holes
- Mark the centre for the latch hole and drill  $\varnothing 24$  mm x 85 mm deep

### 2. Install latch

- Insert latch into hole. Trace around the face plate
- Chisel until faceplate fits flush with door edge
- Drill 2 pilot holes for latch fixing screws
- Fasten the latch so the bevelled edge of latchbolt faces jamb

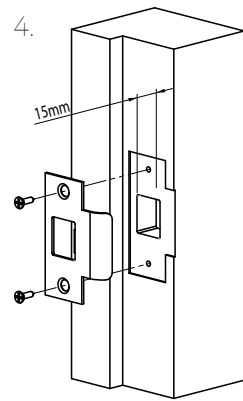
### 3. Furniture installation

- a. Screw studs onto external rose. Insert spindle into furniture
- b. Align studs with drilled holes and mount external furniture to door
- c. Secure the internal furniture with M4 screws
- d. Install rose caps so they are flush with the door surface

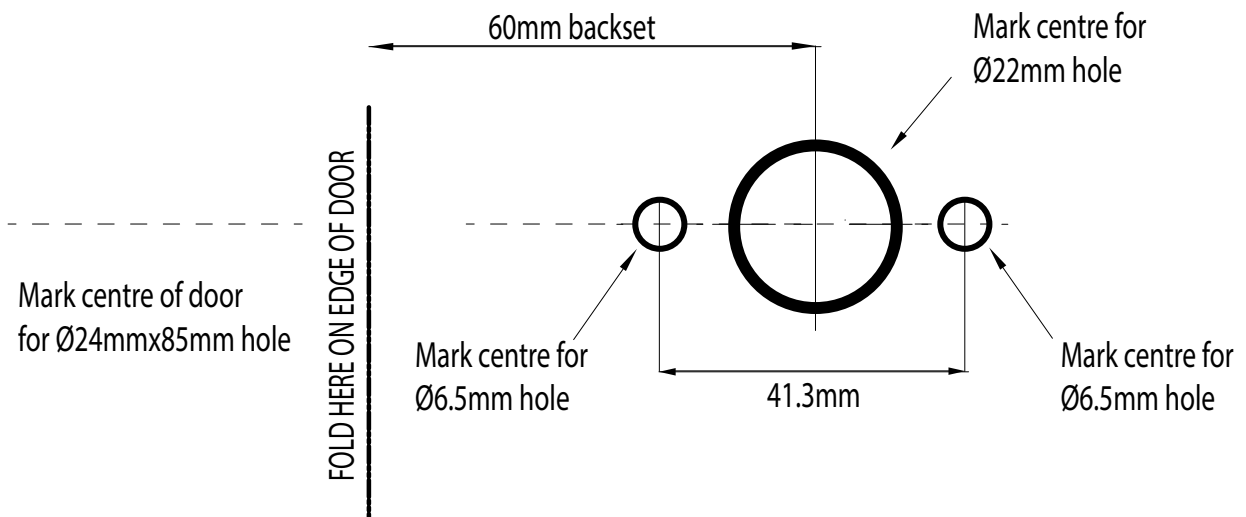


#### 4. Prepare jamb & install strike

- Mark vertical and horizontal centreline on jamb, exactly opposite centre of latch
- Use strike plate as pattern for cut-out. Chisel until strike plate fits flush with jamb face
- Using strike plate as pattern, chisel or drill 15mm deep for latch hole
- Drill 2 pilot holes for strike fixing screws
- Fasten with screws



#### Drilling template



Important: Double check dimensions if printing from an electronic version