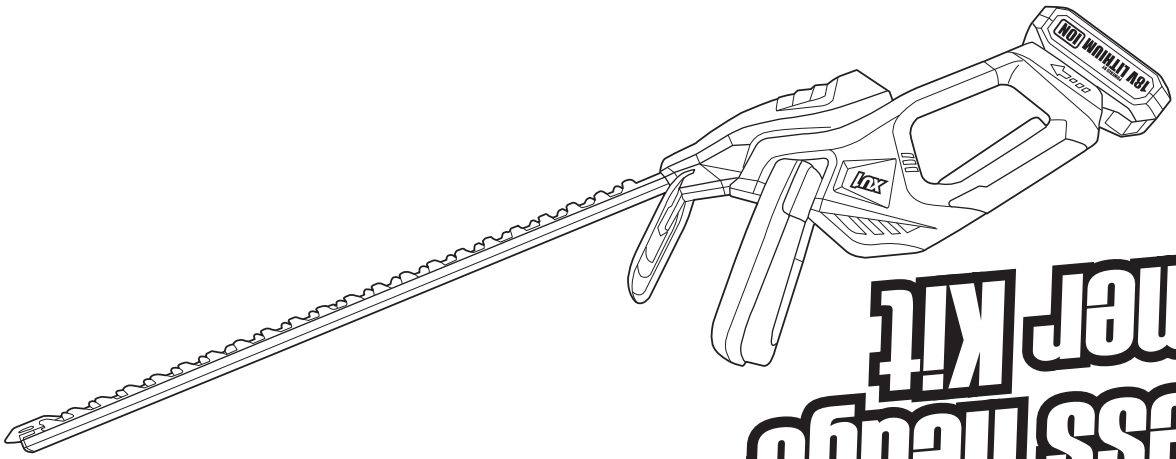


Operating Instructions

XHTK-0185

12 MONTHS HOME USE
REPLACEMENT WARRANTY



18V
Cordless Hedge
Trimmer Kit
InX

XU1 Power tools

Ozito Industries Pty. Ltd. 25 Fox Drive, Dandenong South, Victoria, Australia 3175

Telephone: 1800 069 486 (Aus), 0508 069 486 (NZ)

SAFETY INSTRUCTIONS

DESCRIPTION OF SYMBOLS



Read instruction manual

V Volts

Hz Hertz

~ Alternating current

W Watts

dc/  Direct current

∅ Diameter

mA Milliamperes

No No load speed

/min Revolutions or reciprocation per minute



Double insulated



Regulator compliance mark



Transformer Energy Rating (MEPS)

Efficiency Level (MEPS)



Do not incinerate



130°C Cut-out protection



Warning



Indoor use only



Lithium Ion-battery

Li-ion



LWA Sound power level

91 dB



Wear eye protection



Keep hands away from blade



Recycle battery

Li-Ion



Do not put in rubbish



Do not use in the rain or leave the tool outdoors while raining



Do not get battery wet



Do not use or store battery in temperatures exceeding 50°C

MAX. 50°C

GENERAL POWER TOOL SAFETY WARNINGS



WARNING! Read all safety warnings and all instructions. Failure to follow the warnings and instructions may result in electric shock, fire and/or serious injury.

Save all warnings and instructions for future reference. The term "power tool" in all of the warnings refers to your mains-operated (corded) power tool or battery-operated (cordless) power tool.

1) Work area safety

- Keep work area clean and well lit.** Cluttered and dark areas invite accidents.
- Do not operate power tools in explosive atmospheres, such as in the presence of flammable liquids, gases or dust.** Power tools create sparks which may ignite the dust or fumes.
- Keep children and bystanders away while operating a power tool.** Distractions can cause you to lose control.

2) Electrical safety

- Power tool plugs must match the outlet. Never modify the plug in any way. Do not use any adapter plugs with earthed (grounded) power tools.** Unmodified plugs and matching outlets will reduce risk of electric shock.
- Avoid body contact with earthed or grounded surfaces such as pipes, radiators, ranges and refrigerators.** There is an increased risk of electric shock if your body is earthed or grounded.
- Do not expose power tools to rain or wet conditions.** Water entering a power tool will increase the risk of electric shock.
- Do not abuse the cord. Never use the cord for carrying, pulling or unplugging the power tool. Keep cord away from heat, oil, sharp edges or moving parts.** Damaged or entangled cords increase the risk of electric shock.
- When operating a power tool outdoors, use an extension cord suitable for outdoor use.** Use of a cord suitable for outdoor use reduces the risk of electric shock.
- If operating a power tool in a damp location is unavoidable, use a residual current device (RCD) protected supply.** Use of an RCD reduces the risk of electric shock.

3) Personal safety

- Stay alert, watch what you are doing and use common sense when operating a power tool. Do not use a power tool while drugs, alcohol or medication.** A moment of inattention while operating power tools may result in serious personal injury.
- Use personal protective equipment. Always wear eye protection.** Personal protective equipment such as dust mask, non-skid safety shoes, hard hat, or hearing protection used for appropriate conditions will reduce personal injuries.
- Prevent unintentional starting. Ensure the switch is in the off-position before connecting to power source and/or battery pack, picking up or carrying the tool.** Carrying power tools with your finger on the switch or energising power tools that have the switch on invites accidents.
- Remove any adjusting key or wrench before turning the power tool on.** A wrench or a key left attached to a rotating part of the power tool may result in personal injury.

e) **Do not overreach. Keep proper footing and balance at all times.** This enables better control of the power tool in unexpected situations.

f) **Dress properly. Do not wear loose clothing or jewellery. Keep your hair, clothing and gloves away from moving parts.** Loose clothes, jewellery or long hair can be caught in moving parts.

g) **If devices are provided for the connection of dust extraction and collection facilities, ensure these are connected and properly used.** Use of dust collection can reduce dust-related hazards.

h) **Do not let familiarity gained from frequent use of tools allow you to become complacent and ignore tool safety principles.** A careless action can cause severe injury within a fraction of a second.

4) Power tool use and care

- Do not force the power tool. Use the correct power tool for your application.** The correct power tool will do the job better and safer at the rate for which it was designed.
 - Do not use the power tool if the switch does not turn it on and off.** Any power tool that cannot be controlled with the switch is dangerous and must be repaired.
 - Disconnect the plug from the power source and/or the battery pack from the power tool before making any adjustments, changing accessories, or storing power tools.** Such preventive safety measures reduce the risk of starting the power tool accidentally.
 - Store idle power tools out of the reach of children and do not allow persons unfamiliar with the power tool or these instructions to operate the power tool.** Power tools are dangerous in the hands of untrained users.
 - Maintain power tools. Check for misalignment or binding of moving parts, breakage of parts and any other condition that may affect the power tools operation. If damaged, have the power tool repaired before use.** Many accidents are caused by poorly maintained power tools.
 - Keep cutting tools sharp and clean.** Properly maintained cutting tools with sharp cutting edges are less likely to bind and are easier to control.
 - Use the power tool, accessories and tool bits etc. in accordance with these instructions and in the manner intended for the particular type of power tool, taking into account the working conditions and the work to be performed.** Use of the power tool for operations different from those intended could result in a hazardous situation.
 - Keep handles and grasping surfaces dry, clean and free from oil and grease.** Slippery handles and grasping surfaces do not allow for safe handling and control of the tool in unexpected situations.
- ### 5) Battery tool use and care
- Recharge only with the charger specified by the manufacturer.** A charger that is suitable for one type of battery pack may create a risk of fire when used with another battery pack.
 - Use power tools only with specifically designated battery packs.** Use of any other battery packs may create a risk of injury and fire.
 - When battery pack is not in use, keep it away from other metal objects, like paper clips, coins, keys, nails, screws or other small metal objects, that can make a connection from one terminal to another.** Shorting the battery terminals together may cause burns or a fire.

d) Under abusive conditions, liquid may be ejected from the battery; avoid contact. If contact accidentally occurs, flush with water. If liquid contacts eyes, additionally seek medical help. Liquid ejected from the battery may cause irritation or burns.

e) Do not use a battery pack or tool that is damaged or modified. Damaged or modified batteries may exhibit unpredictable behaviour resulting in fire, explosion or risk of injury.

f) Do not expose a battery pack or tool to fire or excessive temperature. Exposure to fire or temperature above 130 °C may cause explosion.

g) Follow all charging instructions and do not charge the battery pack or tool outside the temperature range specified in the instructions. Charging improperly or at temperatures outside the specified range may damage the battery and increase the risk of fire.

6) Service

a) Have your power tool serviced by a qualified repair person using only identical replacement parts. This will ensure that the safety of the power tool is maintained.

b) Never service damaged battery packs.

Service of battery packs should only be performed by the manufacturer or authorized service provider.

BATTERY & CHARGER SAFETY WARNINGS

BEFORE USING THE CHARGER OR BATTERY READ ALL INSTRUCTIONS AND CAUTIONARY MARKINGS ON THE CHARGER, BATTERY PACK AND THE PRODUCT USING THE BATTERY PACK. DO NOT LOSE THESE SAFETY INSTRUCTIONS.

Battery warnings

1. The battery pack is not fully charged out of the carton. First read the safety instructions and then follow the charging notes and procedures.
2. For optimum battery performance avoid low discharge cycles. Charge the battery pack frequently.
3. Use and store the battery pack in dry conditions with low humidity between 0-50°C, ideally at 15°C. Avoid exposing battery pack and charger to direct sunlight.
4. Do not keep battery pack in places where temperatures are liable to reach over 50°C, such as in a car, metal shed or similar that is in direct sunlight.
5. Do not ignite the battery pack or expose it to fire. There is a risk of explosion!
6. Do not exhaustively discharge batteries. Exhaustive discharge will damage the battery cells. The most common cause of exhaustive discharge is long-term storage and continued use of low-charge batteries. Always store the battery with some charge. Charge the batteries every 2-3 months to restore charge. Stop working as soon as the performance of the battery falls noticeably or the electronic protection system triggers.
7. Protect batteries and the tool from overloads. Overloads will quickly result in overheating and cell damage inside the battery housing without this overheating being apparent externally.
8. Avoid damage and shocks. Do not use batteries which have been dropped from a height of more than one meter or strong external impact, even if the housing of the battery pack appears to be undamaged. The battery cells inside the battery may have suffered serious damage.
9. If the battery pack suffers overloading and overheating, the integrated protective cut-off will switch off the equipment. Do not press the ON/OFF switch on the tool if the protective cut-off has actuated. This may damage the battery pack. Allow the battery to cool to room temperature before use.
10. Use only original battery packs. The use of other batteries may result in injuries, explosion and a fire risk.


11. Protect your rechargeable battery against moisture, rain and high humidity. Moisture, rain and high humidity can cause dangerous cell damage. Never charge or use batteries which have been exposed to moisture, rain or high humidity.
12. Never attempt to open the battery pack for any reason. If the plastic housing of the battery pack is damaged, do not use the battery.
13. When battery pack is not in use, keep it away from other metal objects, like paper clips, coins, keys, nails, screws or other small metal objects, that can make a connection from one terminal to another. Shorting the battery terminals together may cause burns or a fire.
14. Under abusive conditions, liquid may be ejected from the battery; avoid contact. If accidental contact occurs, flush with water and seek medical help immediately. Liquid ejected from the battery may cause irritation or burns.
15. Do not use a battery pack or tool that is damaged or modified. Damaged or modified batteries may exhibit unpredictable behaviour resulting in fire, explosion or risk of injury.
16. Do not expose a battery pack or tool to fire or excessive temperature. Exposure to fire or temperature above 130 °C may cause explosion.
17. Never service damaged battery packs. Service of battery packs should only be performed by the manufacturer.
18. Do not disassemble Battery. This may result in a risk of electric shock, electrocution or fire.

Charger and the charging process warnings

1. Please check the data marked on the rating plate of the battery charger. Ensure to only connect the battery charger to a power supply with the voltage marked on the rating plate.
2. Protect the battery charger and its cable from damage and sharp edges. Have damaged cables repaired by an authorised service agent before use.
3. Keep the battery charger, batteries and the cordless tool out of children's reach.
4. Do not use damaged battery chargers.
5. Do not use the supplied battery charger to charge other cordless tools. Only charge XU1 rechargeable batteries with an XU1 Charger.
6. The battery pack may become warm during use. Allow the battery pack to cool to room temperature before commencing with the charging.
7. Do not over-charge batteries. Overcharging batteries may result in a risk of fire. Do not exceed the maximum charging times. These charging times only apply to discharged batteries. Frequent insertion of a charged or partly charged battery pack will result in over-charging and cell damage. Do not leave fully charged batteries in the charger.
8. Charge the battery pack in dry conditions with low humidity between 0-25°C. Avoid exposing battery pack and charger to direct sunlight. Charge indoors only.
9. Do not use batteries which have suffered deformation during the charging process or shows any other signs of abnormalities including, excessive curvature of the housing, gassing, hissing or cracking.
10. Never fully discharge the battery pack. A complete discharge of the battery pack will lead to premature ageing of the battery cells.
11. Never charge the batteries unsupervised.
12. Do not cover or place any object on top of the charger, place the charger away from heat sources.
13. To reduce risk of damage to the electric plug and cord, pull by the plug rather than the cord when disconnecting the charger.
14. Make sure the cord is located so that it will not be stepped on, tripped over, or otherwise subjected to damage or stress.
15. An extension cord should not be used unless necessary. Use of an improper extension cord could result in the risk of fire, electric shock or electrocution.
16. Do not disassemble charger. This may result in a risk of electric shock, electrocution or fire.

17. To reduce risk of electric shock, unplug the charger from the outlet before attempting any cleaning. Removing the battery pack will not reduce this risk.
18. Do not use the cordless tool or the battery charger near vapours and inflammable liquids.
19. Keep away from readily combustible material whilst charging.

HEDGE TRIMMER SAFETY WARNINGS

 **WARNING!** This appliance is not intended for use by persons (including children) with reduced physical, sensory or mental capabilities, or lack of experience and knowledge, unless they have been given supervision or instruction concerning use of the appliance by a person responsible for their safety. Children should be supervised to ensure that they do not play with the appliance.

• **Hold the power tool by insulated gripping surfaces only, because the cutter blade may contact hidden wiring or its own cord.** Cutter blades contacting a "live" wire may make exposed metal parts of the power tool "live" and could give the operator an electric shock.

• **Keep all parts of the body away from the blade. Do not remove cut material or hold material to be cut when blades are moving.** Blades continue to move after the switch is turned off. A moment of inattention while operating the hedge trimmer may result in serious personal injury

• **Carry the hedge trimmer by the handle with the blade stopped and taking care not to operate any power switch.** Proper carrying of the hedge trimmer will decrease the risk of inadvertent starting and resultant personal injury from the blades.

• **Perform visual inspection on the hedge being trimmed.** To ensure no wire fences or foreign objects that the hedge trimmer may contact during operation.

• **When transporting or storing the hedge trimmer, always fit the blade cover.** Proper handling of the hedge trimmer will decrease the risk of personal injury from the blades.

• **When clearing jammed material or servicing the unit, make sure all power switches are off and the power cord (or battery) is disconnected.** Unexpected actuation of the hedge trimmer while clearing jammed material or servicing may result in serious personal injury.

• **Do not use the hedge trimmer in bad weather conditions, especially when there is a risk of lightning.** This decreases the risk of being struck by lightning.

• **Keep all power cords and cables away from cutting area.** Power cords or cables may be hidden in hedges or bushes and can be accidentally cut by the blade.

• Do not operate a hedge trimmer in a tree, on a ladder, from a rooftop, or any unstable support. Operation of a hedge trimmer in this manner could result in serious personal injury.

• Never allow children or people unfamiliar with these instructions to use the Hedge Trimmer.

• Avoid using the Hedge Trimmer, while people, especially children or pets, are nearby.

• Use the Hedge Trimmer only in daylight or good artificial light.

• Never operate the Hedge Trimmer with damaged guards or without guards in place.

• Switch on the Hedge Trimmer only when the hands and feet are away from the cutting blades.

• Use only the manufacturer's recommended replacement parts and accessories.

• Always remove the battery from the Hedge Trimmer when leaving the Hedge Trimmer unattended.

• Always remove the battery from the Hedge Trimmer before carrying out maintenance or cleaning work.

• Inspect and maintain the Hedge Trimmer regularly. Have the Hedge Trimmer repaired only by an authorized repairer.

• When not in use, store the Hedge Trimmer out of the reach of children.

• Face the cutting blades away from yourself, other people and animals while the power is connected to the Hedge Trimmer (especially during operation).

• Use both handles.


• Keep ventilation openings clear of debris. Keep handles dry, clean and free of oil and grease.

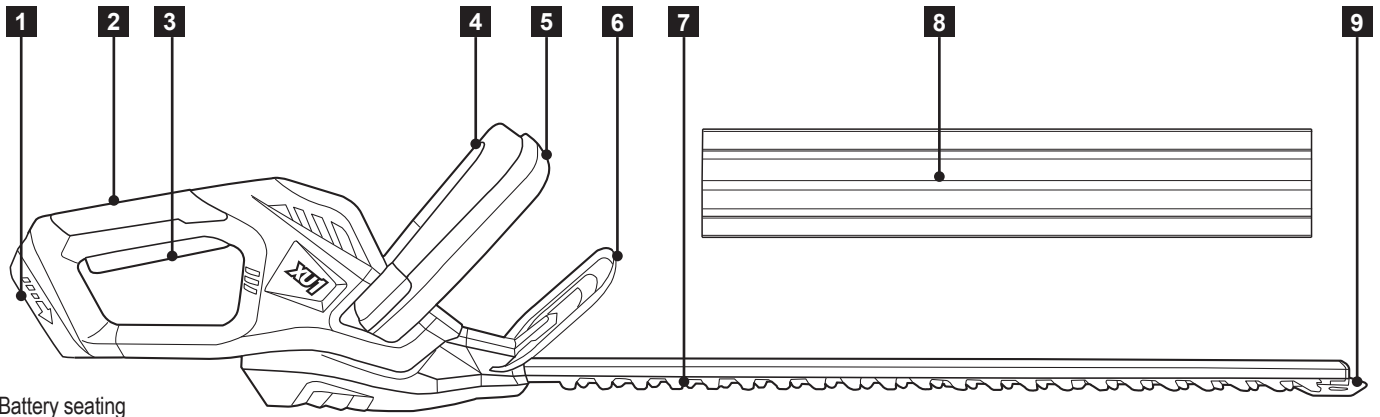
• Never reach underneath the Hedge Trimmer (the cutting blade area) until it has completely stopped and the power has been disconnected.

• Use both handles.

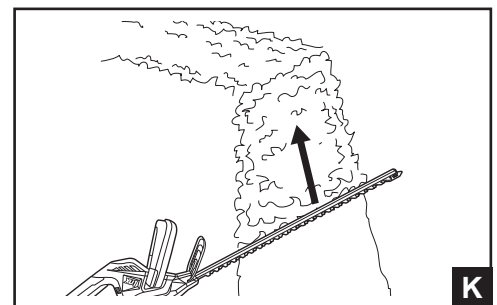
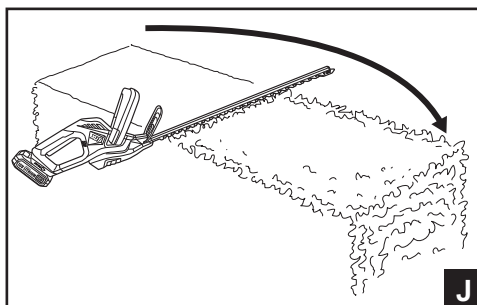
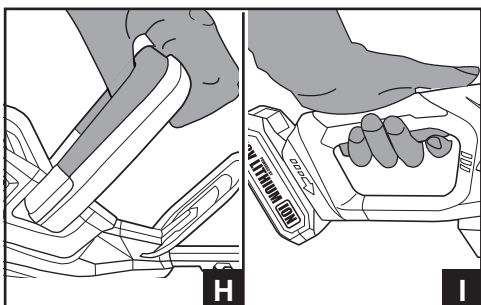
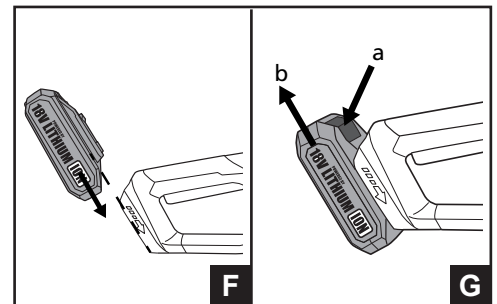
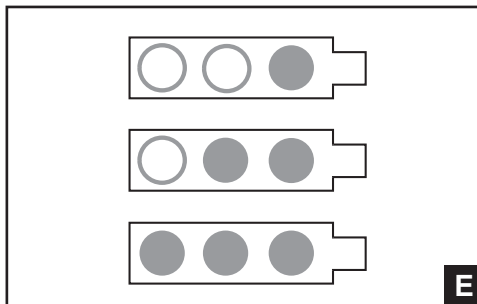
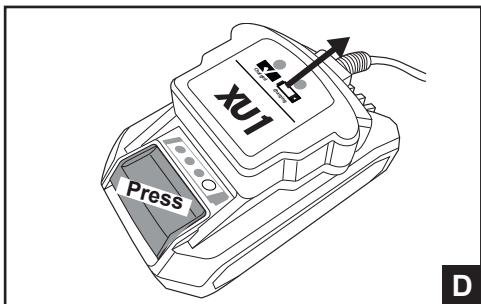
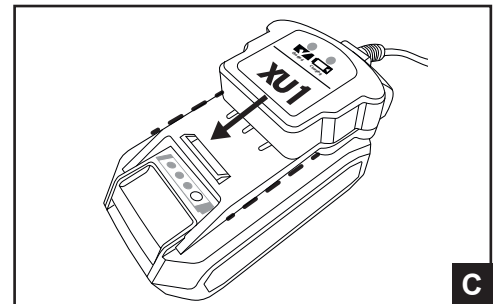
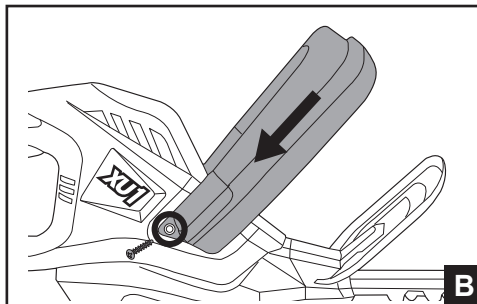
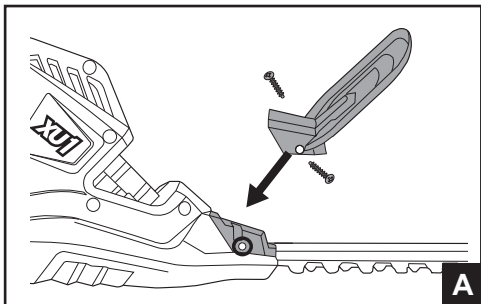
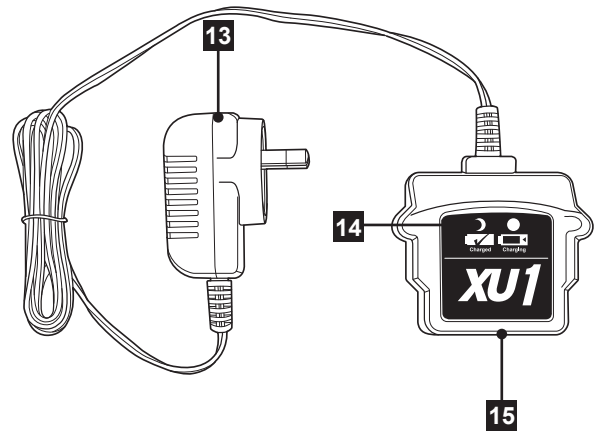
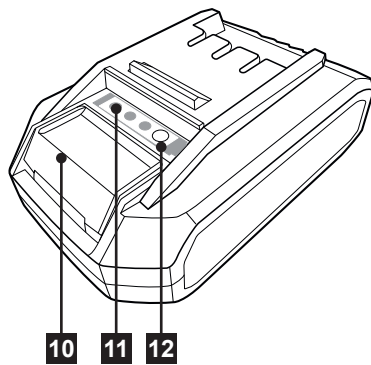
• Keep ventilation openings clear of debris. Keep handles dry, clean and free of oil and grease.

• Never reach underneath the grass trimmer (the cutting blade area) until it has completely stopped and the battery has been removed.

 **WARNING!** When servicing, use only identical replacement parts. Use of any other parts may create a hazard or cause product damage. To ensure safety and reliability, all repairs should be performed by a qualified service technician.



1. Battery seating
2. Soft grip handle
3. On/Off trigger
4. Safety switch
5. Front handle
6. Safety guard
7. Dual action cutting blades
8. Blade cover
9. Impact guard
10. Battery release button
11. Battery charge indicators
12. Charge indicator button
13. Charger adaptor
14. Charger LED indicators
15. Charger cradle



SPECIFICATIONS

Voltage: 18V

No Load Speed: 2,200/min

Cutting Length: 460

Cutting Capacity: Ø14mm

Battery: 1.5Ah Li-Ion

Charge Time: 4-5 Hours

Charger Input: 100-240VAC, 50-60Hz, 14.5W

Charger Output: 21V DC, 400mA

Tool Weight: 2.4kg

PROPER USE

This tool is intended for use in a DIY (Do It Yourself) context or for hobbyist purposes. It is not built for continuous daily use in a trade or professional capacity.

Before using the machine, carefully read these instructions, especially the safety rules to help ensure that your machine always operates properly.

Before attempting to operate the machine, familiarise yourself with the controls and make sure you know how to stop the machine quickly in an emergency.

Save these instructions and the other documents supplied with this machine for future reference.

ASSEMBLY



WARNING! Ensure the tool is turned off and battery disconnected before performing any of the following operations.



WARNING! Blades are sharp. When handling the blade assembly, wear non-slip, heavy-duty protective gloves. Do not place your hand or fingers between the blades or in any position where they could get pinched or cut. Never touch blades or service the unit when the battery pack is installed.

Fitting the Safety Guard

Slide the safety guard onto the front of the motor housing, just above the blade. Ensure that the holes in the guard align with the two holes in the motor housing. Secure in place with two screws provided. **FIG. A**



WARNING! Never use the hedge trimmer unless the safety guard is properly fitted.

Fitting the Front Handle

Slide the front handle onto the front of the motor housing, ensure that the holes in the handle align with the two holes in the motor housing. Secure in place with two screws provided. **FIG. B.**

BATTERY

Charging the Li-Ion Battery



WARNING! To reduce the risk of electrical shock, we recommend the use of a residual current device rated 30mA or less.

Allow at least 3 hours of charge time before initial use of the battery. Charge the battery pack only with the charger provided. The battery should be charged in a cool dry place. It will take 2 to 3 charging/discharging cycles before the battery achieves maximum run time capacity.

NOTE: The battery will not develop a memory, it does not have to be fully discharged before recharging.

1. Connect the charging adaptor into the mains power outlet.
2. The charger LED will flash green showing power is being supplied to the charger.
3. With the battery sitting on a flat surface, align the raised ribs on the battery with the recess in the charger cradle and slide onto the battery ensuring a firm connection. **FIG. C.**
4. The charger LED will illuminate red signifying that the battery is charging. Battery is fully charged after 4-5 hours, green LED will illuminate.
5. When removing the charger from the battery, first press the battery release tab, then slide the cradle from its position. **FIG. D.**

Charger LED Indicators

LED Indicator	Situation
GREEN (Flashing)	Stand By (no battery pack is inserted)
RED (Illuminated)	Battery is charging (low charge)
GREEN (Illuminated)	Battery is fully charged.
GREEN & RED (Flashing)	Battery is faulty
GREEN & RED (Illuminated)	Battery is too hot. Remove battery from charger a let cool. Insert battery again when at room temperature

Battery Charge Indicator

The included battery is equipped with a battery charge indicator to show the state of the battery charge.

Press the charge indicator button and check to see which LED light is illuminated. **FIG. E**

- 1 GREEN LED** indicates that the battery has only a low charge and requires charging.
- 2 GREEN LEDs** indicate that the battery has mid state of charge.
- 3 GREEN LEDs** indicate that the battery is fully charged.

Battery Protection System

The tool is equipped with the battery protection system, which helps to ensure a long service life. The output power automatically cuts off during operation when the tool and battery are placed under the following situations:

• When tool is overloaded:

If this occurs, turn off the tool and let it cool down for 10 mins, remove the cause of overload, then resume operation.

• When the remaining battery capacity becomes low:

Recharge the battery pack.

OPERATION

Inserting & Removing the Battery

1. To insert, align the ribs of the battery with the battery recess and slide the battery in so that it clicks into place. **FIG. F.**
2. To remove, first press and hold the battery release tab (a), then slide the battery out (b). **FIG G.**

Blade Cover

The blade cover protects the blade when not in use. Simply slide it off the blade before use. Once finished operating, place the cover back over the blade.

Starting and Stopping



WARNING! Always keep both hands on the hedge trimmer handles. Never hold shrubs with one hand and operate the hedge trimmer with the other. Failure to heed this warning may result in serious injury.

Before starting the hedge trimmer;

- Remove the blade cover.
- Make sure you have a secure and balanced footing.
- Make sure the cutting blade is not touching the ground or any other objects.
- Hold the unit with both hands: one hand on the rear handle and one hand on the front handle.
- Wear safety goggles, non-skid footwear and gloves, hold the unit with both hands with the cutting blades directed away from you.



WARNING! Before each use, inspect the entire product for damaged, missing or loose parts, such as screws, nuts, bolts, caps, etc. Tighten securely all fasteners and do not operate this product until all missing or damaged parts are replaced.

To Start the Hedge Trimmer



WARNING! Never start the hedge trimmer while the blade cover is fitted.

For user safety the safety switch and on/off trigger must be operated simultaneously.

1. Using one hand depress and hold the safety switch on the front handle **FIG. H.**
2. To turn on squeeze the on/off trigger **FIG. I.**

To Stop the Hedge Trimmer

Once either the safety switch or on/off trigger is released the hedge trimmer will slow to a stop.

Operating the Hedge Trimmer



WARNING! Clear the area to be cut before each use. Remove all objects, such as cords, lights, wire or string which can become entangled in the blade and create a risk of serious personal injury.



WARNING! Do not operate a hedge trimmer in a tree, on a ladder, from a rooftop, or any unstable support. Operation of a hedge trimmer in this manner could result in serious personal injury.

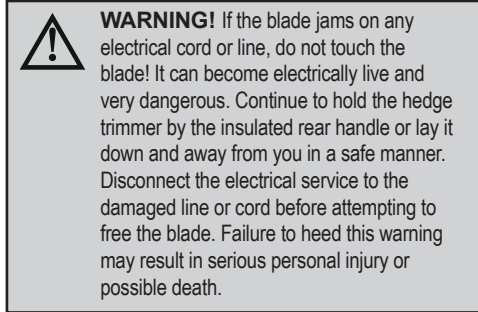
Top Cutting

Use a wide sweeping motion. A slight downward tilt of the cutting blades in the direction of motion gives the best cutting results **FIG. J.**

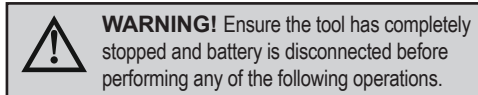
Side Cutting

When trimming the sides of the hedge, begin at the bottom and cut upwards. Trim the side of a hedge so that it will be slightly narrower at the top. This shape will expose more of the hedge, resulting in a more uniform growth **FIG. K**.

Note: Do not operate your hedge trimmer with dull or damaged cutting blades. This may cause overload and will give unsatisfactory cutting results.



MAINTENANCE



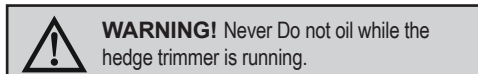
Cleaning and Storage

- Use a soft brush to remove debris from all air intakes and the cutting blade.
- To remove sap and other sticky residue, spray the blades with a resin solvent. Run the motor briefly so that the solvent is evenly distributed then wipe the surface with a dry cloth.
- Never use water for cleaning your trimmer. Avoid using solvents when cleaning plastic parts. Most plastics are susceptible to damage from various types of commercial solvents. Use clean cloths to remove dirt, dust, oil, grease, etc.
- If the trimmer vibrates abnormally, stop motor immediately. Abnormal vibration usually indicates a mechanical problem. Continued operation could lead to injury or damage.
- Always place the blade cover on the blade before storing or transporting the hedge trimmer. Use caution to avoid the sharp teeth of the blade.
- When not in use remove the battery and the hedge trimmer should be stored in a dry, frost free location not within the reach of children.
- Keep air intake clean and air vents free of debris to avoid overheating the motor.
- Keep away from corrosive agents such as garden chemicals.

Lubricating the blade

The blade rail should be cleaned and treated with light machine oil or spray lubricant (such as WD40, CRC 5.56 or RP7) after each use. When a job lasts for a longer period of time it is recommended that the blade rail also be treated with spray lubricant at regular intervals during operation.

1. Remove the battery pack from the hedge trimmer.
2. Lay the hedge trimmer on a flat surface. Apply a light weight machine oil along the edge of the top blade. If you will be using the hedge trimmer for an extended period it is advisable to stop, remove the battery, and oil the blade before recommencing the task.



Note: Ozito Industries will not be responsible for any damage or injuries caused by the repair of the Hedge Trimmer by an unauthorised person or by mishandling of the Hedge Trimmer. This tool is designed for DIY use - use in commercial or industrial environments will void the warranty.

TROUBLESHOOTING

Problem	Cause	Remedy
Blades are not cutting smoothly	Blades could be worn or damaged	Sharpen blades
Hedge trimmer is not starting	Battery is low charger	Charge battery
	Battery not inserted properly	Insert battery pack correctly
	Possible clogging	Clean the blades of any leaves or debris
Motor stops while cutting	Battery has no power	Charge battery
Hedge trimmer is not operating as full capacity	Possible clogging	Clean the blades of any leaves or debris

CARING FOR THE ENVIRONMENT



Power tools that are no longer usable should not be disposed of with household waste but in an environmentally friendly way. Please recycle where facilities exist. Check with your local council authority for recycling advice.



Recycling packaging reduces the need for landfill and raw materials. Reuse of recycled material decreases pollution in the environment. Please recycle packaging where facilities exist. Check with your local council authority for recycling advice.

WARRANTY

YOUR WARRANTY FORM SHOULD BE RETAINED BY YOU AT ALL TIMES. IN ORDER TO MAKE A CLAIM UNDER THIS WARRANTY YOU MUST RETURN THE PRODUCT TO YOUR NEAREST BUNNINGS WAREHOUSE WITH YOUR BUNNINGS REGISTER RECEIPT. PRIOR TO RETURNING YOUR PRODUCT FOR WARRANTY. PLEASE TELEPHONE OUR CUSTOMER SERVICE HELPLINE:

Australia 1800 069 486

New Zealand 0508 069 486

TO ENSURE A SPEEDY RESPONSE PLEASE HAVE THE MODEL NUMBER AND DATE OF PURCHASE AVAILABLE. A CUSTOMER SERVICE REPRESENTATIVE WILL TAKE YOUR CALL AND ANSWER ANY QUESTIONS YOU MAY HAVE RELATING TO THE WARRANTY POLICY OR PROCEDURE.

The benefits provided under this warranty are in addition to other rights and remedies which are available to you at law.

Our goods come with guarantees that cannot be excluded at law. You are entitled to a replacement or refund for a major failure and for compensation for any other reasonably foreseeable loss or damage. You are also entitled to have the goods repaired or replaced if the goods fail to be of acceptable quality and the failure does not amount to a major failure.

Generally you will be responsible for all costs associated with a claim under this warranty, however, where you have suffered any additional direct loss as a result of a defective product you may be able to claim such expenses by contacting our customer service helpline above.

1 YEAR REPLACEMENT WARRANTY

Your product is guaranteed for a period of 12 months from the original date of purchase and is intended for DIY (Do It Yourself) use only. If a product is defective it will be replaced in accordance with the terms of this warranty. Warranty excludes consumable parts, for example: Bearings, bade cover.

WARNING

The following actions will result in the warranty being void.

- Professional, Industrial or high frequency use.
- If the tool has been operated on a supply voltage other than that specified on the tool.
- If the tool shows signs of damage or defects caused by or resulting from abuse, accidents or alterations.
- Failure to perform maintenance as set out within the instruction manual.
- If the tool is disassembled or tampered with in any way.

XU1

Australia/New Zealand (Head Office)

Ozito Industries Pty. Ltd. 25 Fox Drive, Dandenong South, Victoria, Australia 3175