

click[®]

3-IN-1 BATHROOM HEAT LAMP

HEAT, EXHAUST & LIGHT



INSTRUCTION MANUAL

Item No. 0859362

IMPORTANT SAFEGUARDS

When using electrical appliances, in order to reduce the risk of fire, electric shock, and/or injury to persons, basic safety precautions should always be followed, including:

FOR YOUR SAFETY

When using this appliance, below safety precautions should always be followed.

- Dangerous high voltages are present inside this enclosure. To avoid electric shock, DO NOT open the cabinet, refer servicing to qualified personnel only.
- To protect against fire, electrical shock and injury to persons, do not immerse the unit, plug or cord in water or spray with liquids.
- This bathroom heater is not intended for use by persons (including children) with reduced physical, sensory or mental capabilities, or lack of experience and knowledge, unless they have been given supervision or instruction concerning use of the appliance by a person responsible for their safety.
- Children should be supervised to ensure that they do not play with the appliance.(i.e. wall switch).
- Ensure that the switch is in the off position when changing the heat lamp (globe) or light globe.
- Ensure that the wattage of the centre replacement light globe is the same as the globe supplied with the unit.
- E27 275W heat globes can be used in this unit.
- Ensure the grille is free of objects, dust build up, etc. Make sure that the airflow through the grille is not inhibited.
- Means for disconnection must be incorporated in the fixed wiring, in accordance with the wiring rules.
- Precautions must be taken to avoid the back- flow of gases into the room from the open flue of gas or other fuel burning appliances.
- When cutting the ceiling material, care must be taken to ensure you do not damage electrical wiring and other hidden utilities.
- This bathroom heater is to be installed so that switches or other controls can not be touched by a person in the bath or shower.
- The lamps are extremely hot when in use. Do not touch to the lamps with any part of your body when in use. Allow all lamps cool down sufficiently before touching or replacement.
- The appliance shall, under no circumstances, be covered with insulating material or similar material.
- Any ventilation holes should not be impeded by covering with items, such as newspaper, table paper, tablecloths, curtains etc. Slots and opening are provided for ventilation to ensure reliable operation of the product and to protect it from overheating. Never obstruct the air inlet and outlet. Do not use any object to cover this appliance.
- This appliance is not intended to be operated by means of an external timer or separate remote-control system. Other use not recommended may cause fire, electric shock or injury.
- Do not attempt to repair, disassemble or modify the appliance. There are no user serviceable parts inside. Repairs should only be performed by qualified personnel.
- Do not use if there are visible signs of damage to the heater.
- Do not use this heater if it has been dropped.

WARNING: FIRE RISK EXISTS IF THE HEATER IS COVERED BY OR POSITIONED CLOSE TO CURTAINS OR OTHER COMBUSTIBLE MATERIALS.

CAUTION: In order to avoid a hazard due to inadvertent resetting of the thermal cutout, this appliance must not be supplied through an external switching device, such as a timer, or connected to a circuit that is regularly switched on and off by the utility.

NEVER

1. Never leave the appliance unattended when it is in use. Never leave children unsupervised in a room where the heater is ON and unguarded.
2. Never obstruct or cover the air outlet or force items into the heater openings, this could cause overheating and consequent risk of fire. Never insert or allow foreign objects to enter the air outlet as this may cause damage to the appliance.
3. Never use the heater to dry clothes, etc.
4. Never immerse the product in water or any other liquid for any reasons.
5. Never use accessories that are not recommended or supplied by the manufacturer.

POSITION INSTRUCTIONS

This heater must be fixed to use. When positioning, please keep the following points in mind:

- The installation instructions for heaters for mounting at high level shall state that the heater must be installed at least 1,8 m above the floor
- Do not use the appliance in rooms less than 4m² areas.
- Keep the air inlet and outlet free from objects at least 100cm in front and 50cm behind the heater.
- Never position the heater close to curtains or combustible materials such as furniture, cushions, bedding, paper, clothes, curtains etc. Keep the appliance at least 100cm (1m) from walls and any other combustible materials.
- Never position or use the heater in the immediate vicinity of water, such as bathtub, washbowls, swimming pool etc. where the likelihood of immersion or splashing could occur.
- Keep hearthrugs and other soft furnishings away from the front of the heater. They could obstruct the free flow of hot air and damage.
- The heater is to be installed so that switches and other controls cannot be touched by a person in the bath or shower.

CAUTIONS

In order to avoid a hazard due to inadvertent resetting of the thermal cutout, this appliance must not be supplied through an external switching device, such as a timer, or connected to a circuit that is regularly switched on and off by the utility.

This heater is hot when in use or directly after use.

To avoid burns, do not let bare skin touch hot surfaces. Keep combustible materials such as furniture, pillows, bedding, papers, clothes and curtains well away from the heater. Do not drape laundry or any other items over the heater.

At the end of the product's serviceable life it should be disposed of carefully and safely in accordance with local authority regulations.

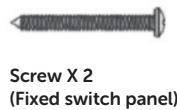
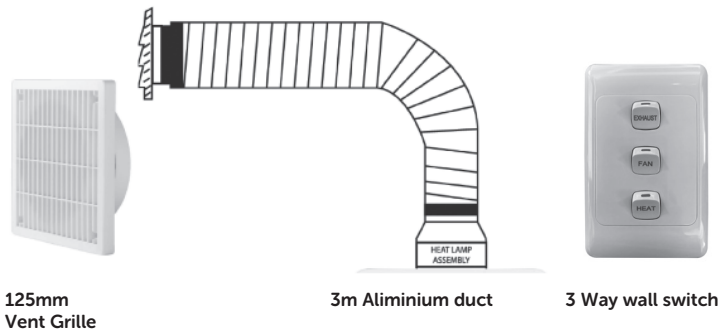
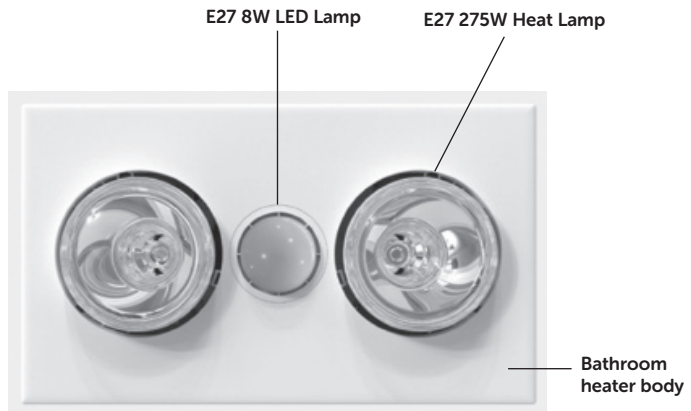
If the power cord is damaged, the power cord must be replaced by either the service agent or similarly qualified persons in order to avoid a hazard.

This product has not been designed for any uses other than those specified in this booklet.

SAVE THESE INSTRUCTIONS

Electrical wiring must only be done by a licensed electrician.

FEATURES OF YOUR 3 IN 1 HEATER, EXHAUST FAN



FITTING INSTRUCTIONS

This product combines heat lamps, an exhaust fan, and a light to deliver gentle radiant heat, improved air circulation, and bright illumination—all in one compact and stylish unit. The integrated exhaust fan effectively removes steam and odours from your room. Each function is individually operated via the included switch plate.

For safe and reliable performance, ensure your bathroom heater is installed by a qualified electrician, following the installation instructions carefully. Please read all instructions thoroughly before beginning installation.

The Bathroom heater can be mounted in any room that requires instant, direct, and radiant heat to ward off winter chills. The light has separate switching, making it suitable for bathrooms, ensuites, toilets, dressing & change rooms.

This product must be installed by a qualified electrician.

SUITABILITY

The Bathroom Heater has been designed especially for cavity type ceilings. Flat roof installation is NOT recommended.

This product must not be mounted in areas subject to direct splashing, and must be mounted in the horizontal position only. Unsuitable for 'cathedral' or 'raked' ceilings.

This model comes with 2 Infrared Heat Globes which emit radiant heat. It is best positioned directly above the area requiring warmth. Before you start, make sure your ceiling has at least 280mm clearance from the roof (see to the 'Mounting' diagram).

WHERE TO LOCATE

Radiant globe heaters are not designed to heat entire rooms. They provide instant, concentrated heat to persons standing directly below the heat lamps. Therefore, The Bathroom heater should be located over the area where drying off takes place, not directly over a shower or bath.

This Heater is not designed to be left on for extended periods of time, as this could cause overheating and premature failure. Click Bathroom Heater, should not be covered or installed in situations which restrict the natural ventilation of the units for cooling purposes.

Ceiling insulation should be kept well clear of the units (at least 100mm). For optimum performance, models with exhaust fans should be installed in areas with good ventilation, to enable fresh air to flow into the room. Any restrictions on return air entering the room will impair effectiveness and may contribute to premature failure.

RADIANT HEAT

The Bathroom Heater requires no warm up period because of its efficient, radiant heat globes. Heat is directed at you for an instant warmth you can feel, rather than gradually warming the entire room. Because of this, The Bathroom Heater only needs to be turned ON when you are in the room.

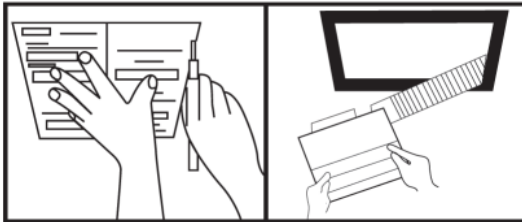
GENERAL ILLUMINATION

A 8 watt light is designed to provide general illumination only. Additional lighting may be required for duties.

MOUNTING

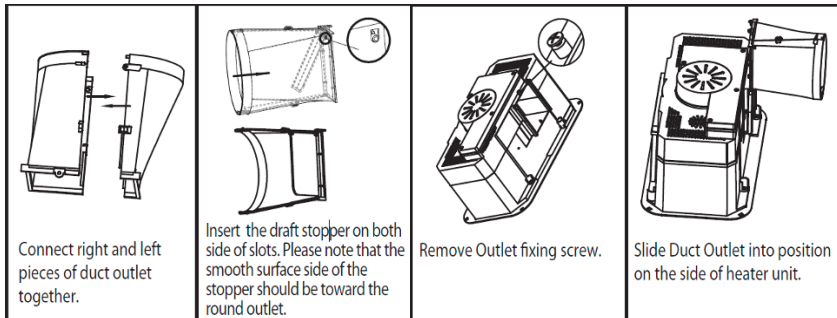
For the purpose of obtaining best heating effect, from the lamps there should be about 2.4m overall height from ground.

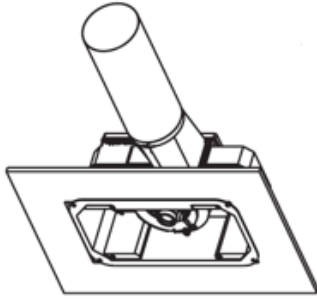
1. Mark the ceiling with a pencil outline 370mm x 202 mm. BE SURE TO CHECK ABOVE THE CEILING FOR MINIMUM SPACE OF 280mm (for optimum performance allow 500mm or more clearance) AND THE LOCATION OF CEILING JOISTS. Ensure there is a minimum of 100mm clear space between the Bathroom Heater unit and any ceiling insulation. Make sure distance between edges to the wall is not less than 40mm.



Note: Before commencing cutting ensure that the area behind the intended location is clear of all cables, pipes and joists.

2. Use a saw to cut the section along the drawn lines.
3. Carefully remove the heater and accessories from the plastic bag and carton. Please assemble the air outlet before mounting the unit into the hole. Air outlet assemble steps as below:





4. Connect the ducting if required to the outer grille of the unit. Insert the unit into the square hole being sure to pull the side clips inward so that the body can pass through the hole without damaging the plaster. Rotate the swing clips to hold motor body in place (figure 1) then tighten screw to let the clip clamp onto the ceiling board (figure 2).

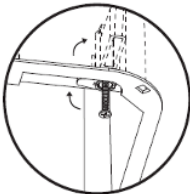


figure 1

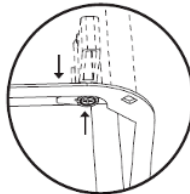
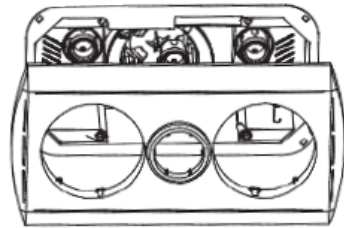
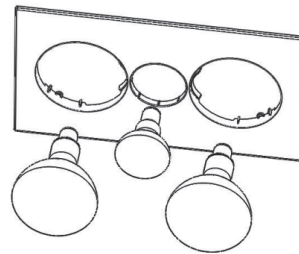
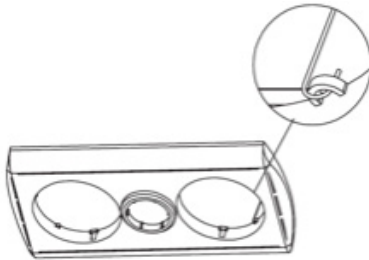


figure 2



5. Hold the fascia against the body of the heater and the ceiling and attach the securing spring clips to hold the fascia in place.
6. Now screw the two large heat lamps into the lamp holder through the holes provided in the fascia. The globes should be screwed up firmly to ensure a good electrical contact but don't over tighten. Next fit the small centre globe in the same way ensuring that it is positioned centrally.



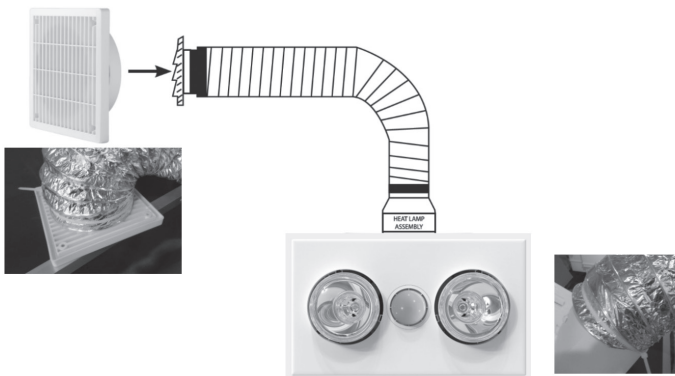
INSTALLING THE DUCT

1. Outlet Louvre: A 130 mm diameter hole is required for the outlet louvre (see template below). Use 4 screws appropriate for the mounting surface to secure it in place.

NOTE: The vent louvres should be facing downwards, preventing water from running into the duct.



2. Duct Connection: Fully extend 3m duct to minimise airflow restrictions then cut to fit components. To cut duct use a sharp knife for the silver walls and wire cutters for the wire support coil. Plan the duct-run to be as straight as possible. The fewer obstacles that the duct has to weave around, the better! Do not squash or force duct through tight bends. In house end of the duct fix to the outlet of fan motor housing with the tie (provided), and fix another end of duct to vent louvres with the tie (provided).

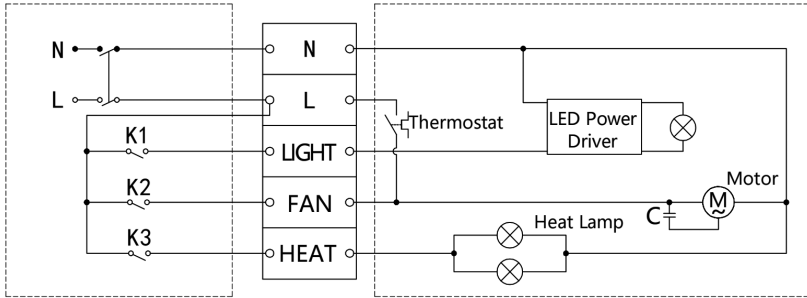


ELECTRICIAN'S WIRING INSTRUCTIONS

Your Click Bathroom Heater requires a 220-240 Volt, 50Hz electrical supply. All electrical work must be carried out by a qualified electrician and installed in accordance with relevant Electrical Wiring Regulations. Your new Click Bathroom Heater comes with all required switches and mounting plates.

HOW TO MAKE CONNECTION

1. Decide the best position for the switch set and mount it. Be sure to click the switches into the backing plate in the desired order before hand.
2. Connect wiring to switches as shown in the appropriate electrical diagram.
3. Remove screws from terminal cover on the Click Bathroom Heater and put aside. Wire according to the label beside the terminal strip. Once the wires are connected incoming cable must not be fouled by cover. Use appropriate knockouts in terminal cover to accommodate cable before replacing. Screw down firmly.



TEST

Clean surround and globes with a soft, dry cloth. Check power is switched on and all switches activate properly, according to their marked function. This product is equipped with thermostat for overheat protection, when temperature exceeds 80°C the exhaust fan will be turned on automatically. When cool down the fan will close accordingly.

REPLACEMENT OF LAMP

1. Check and tighten lamp regularly.
2. Shut off power before replacement.
3. Use E27 8W LED for lighting.
4. Use E27 275W infrared lamp for heating.

CARE AND CLEANING

- Ensure the Click bathroom heater is switched off and cool down sufficiently before cleaning.
- Remove globes when they are at room temperature. Wipe with a damp cloth, never immerse.
- Unclip lamp surround and wash in warm soapy water. Always use a soft cloth, never abrasives.
- Clean away any excess fluff from the inside of the body, motor blade brackets.
- The exhaust fan requires regular cleaning to ensure optimum performance. With the power off, regularly wipe the fan clear of dust and dirt.
- Clean the exhaust ducting kit, ensuring there are no obstructions at the exit.

TECHNICAL SPECIFICATIONS

Power Supply : AC 220-240V~ 50Hz

Power Consumption : 598W

2 x 275W Heat lamps

8W LED Light

40W Exhaust Fan

NOTE: As a result of continual improvements, the design and specifications of the product within may differ slightly to the unit illustrated on the packaging.

DISPOSAL

Do not dispose of packaging or the product through your household waste!

The product and packaging are made from recyclable materials (plastics, metals, paper).

If the product is no longer suitable for use dispose of it in an environmentally friendly manner in accordance with your local council.

NOTES

WARRANTY CONDITIONS FOR PURCHASE IN AUSTRALIA & NEW ZEALAND

Thank you for purchasing one of our quality Click products. Please keep your receipt as proof of purchase, as this will authenticate your warranty. Any claim under this warranty must be made within 1 year of the date of purchase of the product. To make a claim under the warranty, take the product (with proof of purchase) to any Bunnings store (see www.bunnings.com.au for store locations).

Bunnings Group Ltd bears reasonable, direct expenses of claiming under the warranty. You may submit details and proof for consideration. The warranty covers manufacturer defects in materials, workmanship and finish under normal use. This warranty is provided in addition to other rights and remedies you may have under law: our goods come with guarantees which cannot be excluded under the Australian Consumer Law or the Consumer Guarantees Act (NZ). You are entitled to replacement or refund for a major failure and to compensation for other reasonably foreseeable loss or damage. You are also entitled to have the goods repaired or replaced if the goods fail to be of acceptable quality and the failure does not amount to a major failure. The warranty excludes damage resulting from product misuse or product neglect. The warranty covers domestic use only and does not apply to commercial applications.

This warranty is given by Bunnings Group Limited.
ABN 26 008 672 179, Botanicca 3, Level 2 East Tower 570 Swan Street, Burnley, VIC 3121,
e-mail: CustomerSupport@bunnings.com.au, PH: 1800 797 586.
Bunnings NZ Limited: PO Box 14436, Panmure Auckland 1741,
email: OnlineEnquiries@bunnings.co.nz PH: 1800 797 586

WARRANTY EXCLUSIONS

Damage to the base or diffuser or any part through accident, misuse or negligence.

