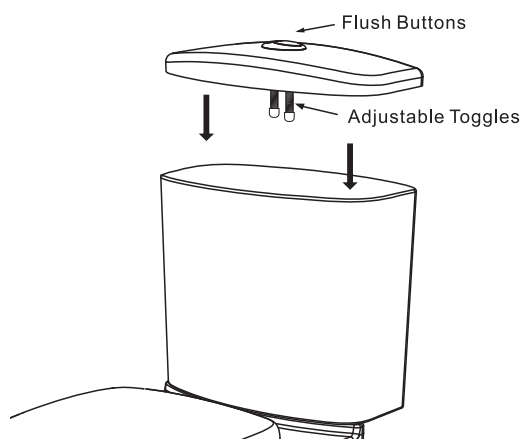
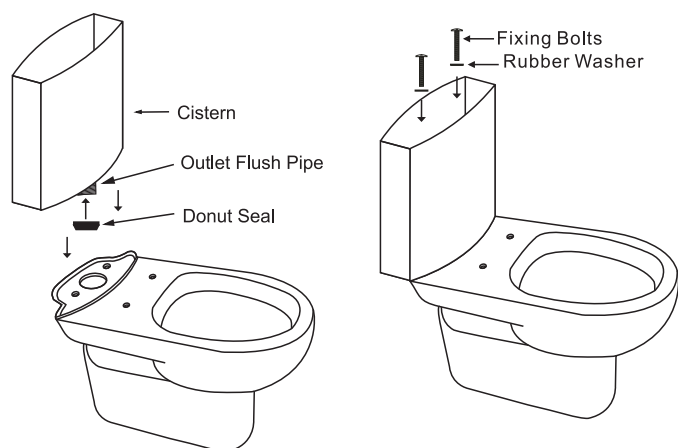
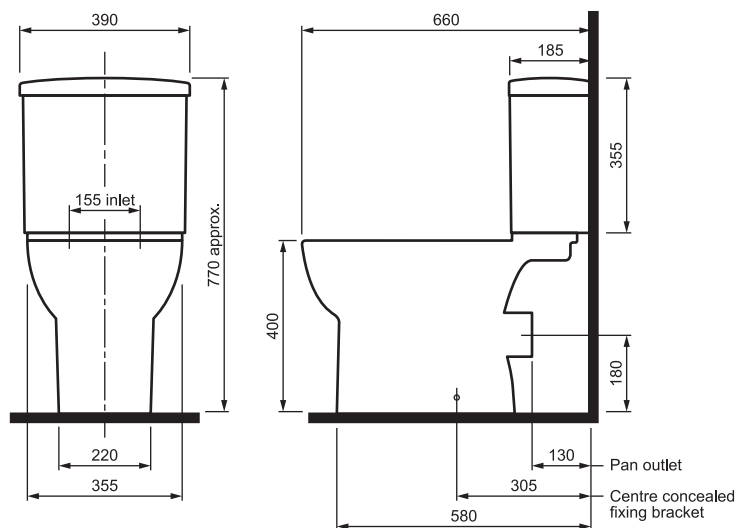


ESTILO



CLOSE COUPLED TOILET SUITE

IMPORTANT

- Prior to installation, all parts and components should be thoroughly inspected for defects. Warranty will be void if installed with pre-existing defects.
- This product must be installed by a licensed plumber in accordance with AS/NZS 3500 and local authority regulations.
- This product is not suitable to be used with some offset collars or slab adaptors.

PRE-INSTALLATION CHECKS

1. Ensure that the toilet is compatible with your current set out requirements:
P trap 180mm
2. Ensure that all components are received and free from defects or damage. Any damage claims after installation will not be accepted.
3. Ensure that the floor and wall are level and perpendicular.

INSTALLATION

1. Floor fixing kit—measure and install the floor fixing kit (see instructions in kit). Don't install the external stainless steel locking screws at this stage.
2. Connect the waste to the sewer. Ensure that all connections are fully engaged and a good seal has been achieved.
3. Install the donut seal over the outlet flush pipe on the base of the cistern.
4. Connect the cistern and pan together and lock into place using the included fixing bolts—to make installation easier, the outlet flush valve can be removed by turning it anti-clockwise and lifting it out.
5. Install the flush buttons onto the cistern lid.
Note—button toggles can be adjusted.
6. Before fixing the toilet to the floor, connect the water supply to the inlet valve and perform several flush tests to ensure the toilet is working correctly.
7. Once you are confident there are no leaks and the toilet is working correctly, install the pan into the floor fixing kit and apply a bead of wet area silicone under the base of the pan (refer to sealant instructions and allow recommended drying time before use).
8. Install the seat after the sealant has dried (refer to seat installation instructions).

CARE & MAINTENANCE

- Clean with a soft cloth and warm soapy water or a mild detergent.
- Toilet bowl cleaners can be used on the inside of the bowl only and must not be used to clean the cistern or the seat.
- Do not use abrasive cleaners or harsh chemicals.

Please retain these instructions for future reference.