

RYOBI®

ORIGINAL INSTRUCTIONS

Cordless Blower/ Vacuum

RBV3600
RBV3640
RBV365
RBV3650D



Important!

It is essential that you read the instructions in this manual before assembling, operating, and maintaining the product.

Subject to technical modification.

Safety, performance, and dependability have been given top priority in the design of your cordless blower/vacuum.

INTENDED USE

The cordless blower/vacuum is intended only for use outdoors in dry and well-illuminated conditions.

The product is not intended to be used by children or persons with reduced physical, mental, or sensory capabilities.

The product is designed for blowing or vacuuming light debris, such as leaves, grass, and other garden refuse. It is intended to vacuum and mulch debris and deposit it into the collection bag.

The product is not designed to suck in water or other liquids.

Do not use the product for any other purpose.

GENERAL SAFETY WARNINGS

⚠ WARNING

Read all safety warnings and all instructions. Failure to follow the warnings and instructions may result in electric shock, fire, and/or serious injury. Save all warnings and instructions for future reference.

⚠ WARNING

Never allow children, persons with reduced physical, sensory or mental capabilities or lack of experience and knowledge, or people unfamiliar with these instructions to use the product. Local regulations may restrict the age of the operator.

TRAINING

- Read the instructions carefully. Be familiar with the controls and the correct use of the product.
- Keep in mind that the operator or user is responsible for accidents or hazards occurring to other people or their property.
- Do not use the product while tired, ill or under the influence of alcohol, drugs, or medication.

PREPARATION

- Some regions have regulations that restrict the use of the product to some operations.

Check with your local authority for advice.

- Wear hearing protection at all times while operating the product. The product is noisy, and permanent hearing injury may result if precautions to limit your exposure, reduce noise, and wear hearing protection are not strictly adhered to.
- Wear full eye protection at all times while operating the product. The manufacturer strongly suggests a full face mask or fully enclosed goggles. Normal spectacles or sunglasses are not adequate protection. Objects can be thrown at high speed by the powerful air jet at any time and may rebound from hard surfaces toward the operator.
- While operating the product, always wear substantial footwear and long trousers. Do not operate the product when barefoot or wearing open sandals. Avoid wearing clothing with loose fitting or that has hanging cords or ties.
- Do not wear loose clothing or jewellery that can be drawn into the air inlet. Secure long hair so it is above shoulder level to prevent entanglement in moving parts.
- Before each use, ensure that all controls and safety devices function correctly. Do not use the product if the off switch does not stop the product.
- Operate the product in a recommended position and only on a firm and level surface.
- Do not operate the product on a paved or gravel surface where ejected material could cause injury.
- Before each use, always inspect the housing for damage. Ensure that guards and handles are in place and properly secured. Replace worn or damaged components in sets to preserve balance. Replace damaged or unreadable labels.
- Never operate the product while people, especially children, or pets are nearby.
- Keep all cooling air inlets clear of debris.
- Use rakes and brooms to loosen debris before blowing.
- Clear the work area before each use. Remove all objects such as rocks, broken glass, nails, wire, or string that can be blown a considerable distance by high velocity air.

⚠ WARNING

Before using the product in vacuum mode, you must assemble the upper and lower vacuum tubes together. This is a one-time operation only. Never operate the vacuum with only the upper vacuum tube fitted. The risk of personal injury is significantly increased if you fail to follow this warning.

BATTERY TOOL USE AND CARE

- Recharge only with the charger specified by the manufacturer. A charger that is suitable for one type of battery pack may create a risk of fire when used with another battery pack.
- Use power tools only with specifically designated battery packs. Use of any other battery packs may create a risk of injury and fire.
- When battery pack is not in use, keep it away from other metal objects, like paper clips, coins, keys, nails, screws or other small metal objects that can make a connection from one terminal to another. Shorting the battery pack terminals together may cause burns or a fire.
- Under abusive conditions, liquid may be ejected from the battery pack; avoid contact. If contact accidentally occurs, flush with water. If liquid contacts eyes, additionally seek medical help. Liquid ejected from the battery pack may cause irritation or burns.
- Do not use a battery pack or tool that is damaged or modified. Damaged or modified batteries may exhibit unpredictable behaviour resulting in fire, explosion, or risk of injury.
- Do not expose a battery pack or tool to fire or excessive temperatures. Exposure to fire or excessive temperature above 130°C may cause explosion.
- Follow all charging instructions and do not charge the battery pack or tool outside the temperature range specified in the instructions. Charging improperly or at temperatures outside the specified range may damage the battery and increase the risk of fire.

OPERATION

- Before starting the product, make sure the feeding chamber is empty.
- Keep your face and body away from the feed intake opening.
- Operate the product only at reasonable hours—not early in the morning or late at night when people might be disturbed.
- Never operate the product in an explosive atmosphere.
- Avoid using the product in bad weather conditions especially when there is a risk of lightning.
- Do not operate the product in poor lighting. The operator requires a clear view of the work area to identify potential hazards.
- Keep bystanders, children, and pets 15 m away from the area of operation. Stop the product if anyone enters the area.
- Operating similar tools nearby increases both the risk of hearing injury and the potential for other persons to enter your working area.
- Always be sure of your footing on slopes. Walk, never run.
- Do not allow hands or any other part of the body or clothing inside the feeding chamber, discharge chute, or near any moving part.
- Keep proper footing and balance. Do not overreach. Overreaching can result in loss of balance.
- Never use the product with defective guards or shields, or without safety devices, such as debris collector, in place.
- Do not modify the product in any way or use parts and accessories that are not recommended by the manufacturer.

⚠ WARNING

If the product is dropped, suffers heavy impact, or begins to vibrate abnormally, immediately stop the product and inspect for damage or identify the cause of the vibration. Any damage should be properly repaired or replaced by an authorised service centre.

- To reduce the risk of injury associated with contacting rotating parts, always turn off the product and remove the battery pack.

Make sure that all moving parts have come to a complete stop:

- before leaving the product unattended
 - before clearing blockages or unclogging chute
 - before checking, cleaning, or working on the product
 - before inspecting the product after striking a foreign object
 - whenever the product starts to vibrate abnormally (inspect immediately)
- Immediately turn off and remove the battery pack in the event of accident or breakdown. Do not operate the product again until it has been fully checked by an authorised service centre.
 - The product is provided with a cruise control lever near the trigger. Cruise control sets the speed at a convenient level to provide enough power to achieve the task. Low running speed helps reduce noise and vibration. Cruise control helps reduce operator fatigue.
 - Press the turbo boost button to increase air flow to the maximum velocity. The turbo boost overrides the cruise control feature. The blower returns to the previously selected speed when the button is released.

⚠ WARNING

Your blower/vacuum may be supplied with a harness. Carefully adjust the harness to comfortably help to support the weight of the product. Identify the quick release mechanism and practice using it before you start using the product. Its correct use may prevent serious injury in the case of an emergency. Never wear additional clothing over the harness or otherwise restrict access to the quick release mechanism.

BLOWER SAFETY WARNINGS

- Wear a face filter mask in dusty conditions to reduce the risk of injury associated with the inhalation of dust.
- Slightly dampen surfaces in dusty conditions.
- Do not use the product near open windows.
- Use the full blower nozzle extension so that the air stream can work close to the ground and perform effectively.

- Do not point the blower nozzle in the direction of people or pets.
- Never place objects inside the blower tubes.
- Do not place product on top of or near loose debris. Debris can be sucked into the intake vent, resulting in possible damage to the product.

VACUUM SAFETY WARNINGS

⚠ WARNING

Never operate the vacuum with only the upper vacuum tube fitted. Failure to follow this warning increases the risk of personal injury.

Note: Without the lower vacuum tube fitted, it is much easier to reach up inside the tube towards the fan blade.

- Do not operate the vacuum without the debris collector bag assembly installed. Flying debris could cause serious injury. Make sure that the debris collector bag is in good condition and completely closed before operating the product.
- Move the vacuum from side to side along the outer edge of the debris. To avoid clogging, do not place the vacuum tube directly into the debris pile.
- Hold the motor higher than the inlet end of the vacuum tube.
- To avoid serious injury to the operator or damage to the product, do not try to vacuum up rocks, broken glass, bottles, or similar objects.
- Avoid situations that could cause fire in the debris collector bag. Do not operate the product near an open flame. Do not vacuum up warm ash from fireplaces and barbecue pits. Do not vacuum up discarded cigars or cigarettes unless the cinders are completely cool.
- Keep all parts of your body away from any moving part. Rotating fan blades can cause severe injury. Stop the motor and ensure that fan blades have stopped rotating before opening the vacuum door, installing or changing tubes, or opening or removing debris bag.
- When feeding material into the product, make sure that the pieces of metal, rocks,

bottles, cans, or other foreign objects are not included.

- Do not allow processed material to build up in the discharge zone. This may prevent proper discharge and can result in kickback of material through the intake opening.
- If the product becomes clogged, stop the product and remove the battery pack before cleaning the debris.

ADDITIONAL BATTERY SAFETY WARNINGS

⚠ WARNING

To reduce the risk of fire, personal injury, and product damage due to a short circuit, never immerse your tool, battery pack or charger in fluid or allow a fluid to flow inside them. Corrosive or conductive fluids, such as seawater, certain industrial chemicals, and bleach or bleach-containing products, etc., can cause a short circuit.

TRANSPORTATION AND STORAGE

- Turn off the product, remove the battery pack, and allow it to cool down before storing or transporting.
- Clean all foreign materials from the product. Store the product in a cool, dry, and well-ventilated place that is inaccessible to children. Keep away from corrosive agents, such as garden chemicals and de-icing salts. Do not store the product outdoors.
- For transportation in a vehicle, secure the product against movement or falling to prevent injury to persons or damage to the product.

TRANSPORTING LITHIUM BATTERIES

Transport the battery pack in accordance with local and national provisions and regulations.

Follow all special requirements on packaging and labelling when transporting batteries by a third party. Ensure that no batteries can come in contact with other batteries or conductive materials while in transport by protecting exposed connectors with insulating, non-conductive caps or tape. Do not transport battery packs that are cracked or leaking. Check with the forwarding company for further advice.

MAINTENANCE

⚠ WARNING

Use only original manufacturer's replacement parts, accessories and attachments. Failure to do so can cause possible injury, can contribute to poor performance and may void your warranty.

⚠ WARNING

Servicing requires extreme care and knowledge and should be performed only by a qualified service technician. For service, have the product serviced by an authorised service centre only. When servicing, use only original replacement parts.

- Do not make adjustments and repairs that are not described in this manual. For other repairs, contact an authorised service centre.
- After each use, clean the product with a soft, dry cloth.
- Check all nuts, bolts, and screws at frequent intervals for proper tightness to ensure that the product is in safe working condition. Any part that is damaged should be properly repaired or replaced by an authorised service centre.
- Bring the product to an authorised service centre to replace damaged or unreadable labels.

CLEARING A BLOCKAGE

- To reduce the risk of injury associated with contacting rotating parts, always turn off the product, remove the battery pack, and make sure all moving parts have come to a complete stop.
- Remove the tubes to inspect for blockage. Clear the tubes if required.
- Remove the debris collector bag. Check that the bag adaptor is free from obstruction.
- Inspect the opening to the fan enclosure and the tube to the debris bag for evidence of a blockage. Remember, even though the battery pack is removed, the fan or mulching blades may move as you clear any blockage. Keep fingers away from the fan or mulching blades at all times.
- Do not attempt to remove the fan or mulching blade. If it is necessary to remove

the fan or mulching blades, bring the product to an authorised service centre.

- Reinstall the tubes and the debris collector bag before installing the battery pack and starting the product.

RESIDUAL RISK

Even when the product is used as prescribed, it is still impossible to completely eliminate certain residual risk factors. The following hazards may arise during use and the operator should pay special attention to avoid the following:

- injury caused by vibration
 - Always use the right tool for the job, hold the product by the designated handles and use the lowest speed necessary to achieve the task.
- injury caused by exposure to noise
 - Wear ear protection and limit exposure.
- injury caused by flying objects from the blower tube airflow
 - Wear eye protection at all times.

RISK REDUCTION

It has been reported that vibrations from handheld tools may contribute to a condition called Raynaud's Syndrome. Symptoms may include tingling, numbness, and blanching of the fingers, usually apparent upon exposure to cold. Hereditary factors, exposure to cold and dampness, diet, smoking, and work practices are all thought to contribute to the development of these symptoms. There are measures that can be taken by the operator to possibly reduce the effects of vibration:

- Keep your body warm in cold weather. When operating the product, wear gloves to keep the hands and wrists warm. It is reported that cold weather is a major factor contributing to Raynaud's Syndrome.
- After each period of operation, exercise to increase blood circulation.
- Take frequent work breaks. Limit the amount of exposure per day.

If you experience any of the symptoms of this condition, immediately discontinue use and see your physician.

⚠ WARNING

Injuries may be caused or aggravated by prolonged use of a tool. When using any tool for prolonged periods, ensure you take regular breaks.

WHAT'S IN THE BOX

- Blower/vacuum housing x 1
- Upper vacuum tube x 1
- Lower vacuum tube x 1
- Upper blower tube x 1
- Lower blower tube x 1
- High speed nozzle x 1
- Guide wheels x 1
- Quick release harness x 1
- Vacuum bag x 1
- Battery x 1
- Charger x 1
- Manual x 1
- Locking screw x 1

NOTE: For RBV3600, the battery and charger are sold separately.

NOTE: When replacing the vacuum bag, ensure to keep the plastic collar that holds the bag. The collar is needed to install a new vacuum bag.

SYMBOLS ON THE PRODUCT



Safety alert



Read and understand all instructions before operating the product. Follow all warnings and safety instructions.



Beware of thrown or flying objects. Keep all bystanders, especially children and pets, at least 15 m away from the operating area.



Rotating fans. Keep hands and feet out of openings while the product is running.



Wear ear protection.



Wear eye protection.



Do not expose the product to rain or damp condition.



Regulatory Compliance Mark (RCM). This product meets applicable regulatory requirements.



Waste electrical products should not be disposed of with household waste. Please recycle where facilities exist. Check with your local authority or retailer for recycling advice.



Blower mode



Vacuum mode

CAUTION

Without safety alert symbol
Indicates a situation that may result in property damage.

SYMBOLS IN THIS MANUAL



Note



Warning



Parts or accessories are sold separately

The following signal words and meanings are intended to explain the levels of risk associated with this product.

DANGER

Indicates an imminently hazardous situation, which, if not avoided, will result in death or serious injury.

WARNING

Indicates a potentially hazardous situation, which, if not avoided, could result in death or serious injury.

CAUTION

Indicates a potentially hazardous situation, which, if not avoided, may result in minor or moderate injury.

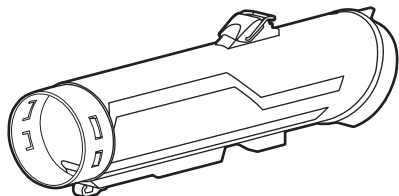
WHAT'S IN THE BOX

RBV3650D

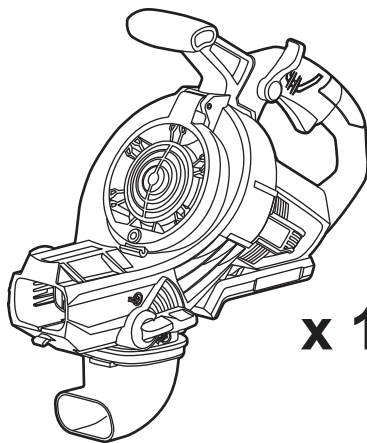
RBV365

RBV3640

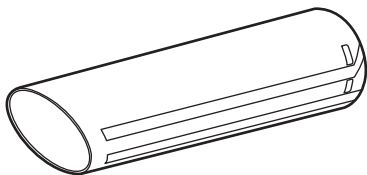
* Kit includes battery and charger.



x 1



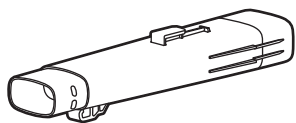
x 1



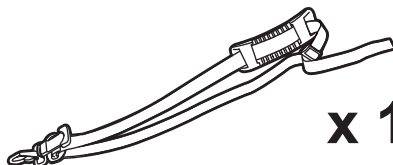
x 1



x 1



x 1



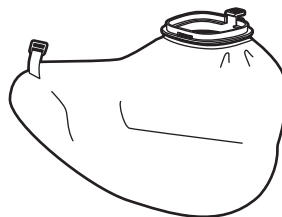
x 1



x 1



x 1



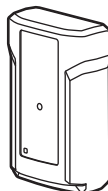
x 1



x 1



x 1



x 1

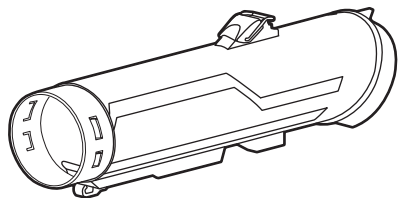


x 1

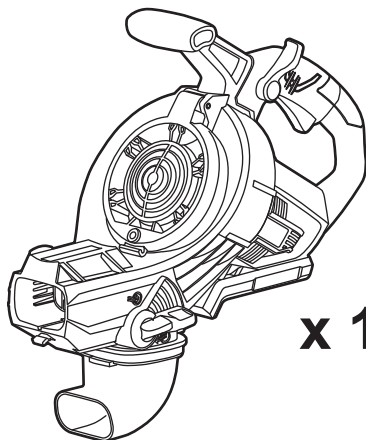
WHAT'S IN THE BOX

RBV3600

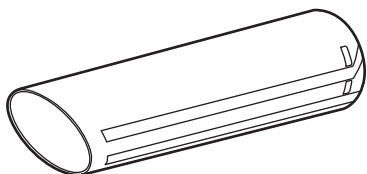
* Battery and charger are sold separately.



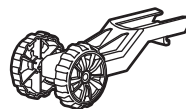
x 1



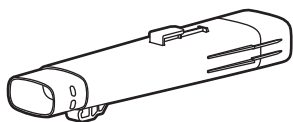
x 1



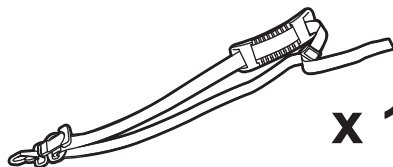
x 1



x 1



x 1



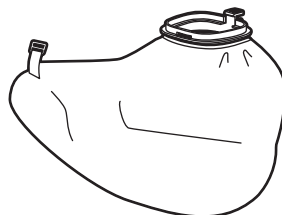
x 1



x 1



x 1



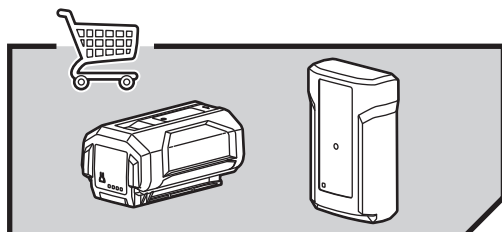
x 1



x 1

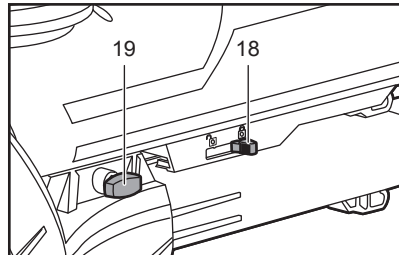
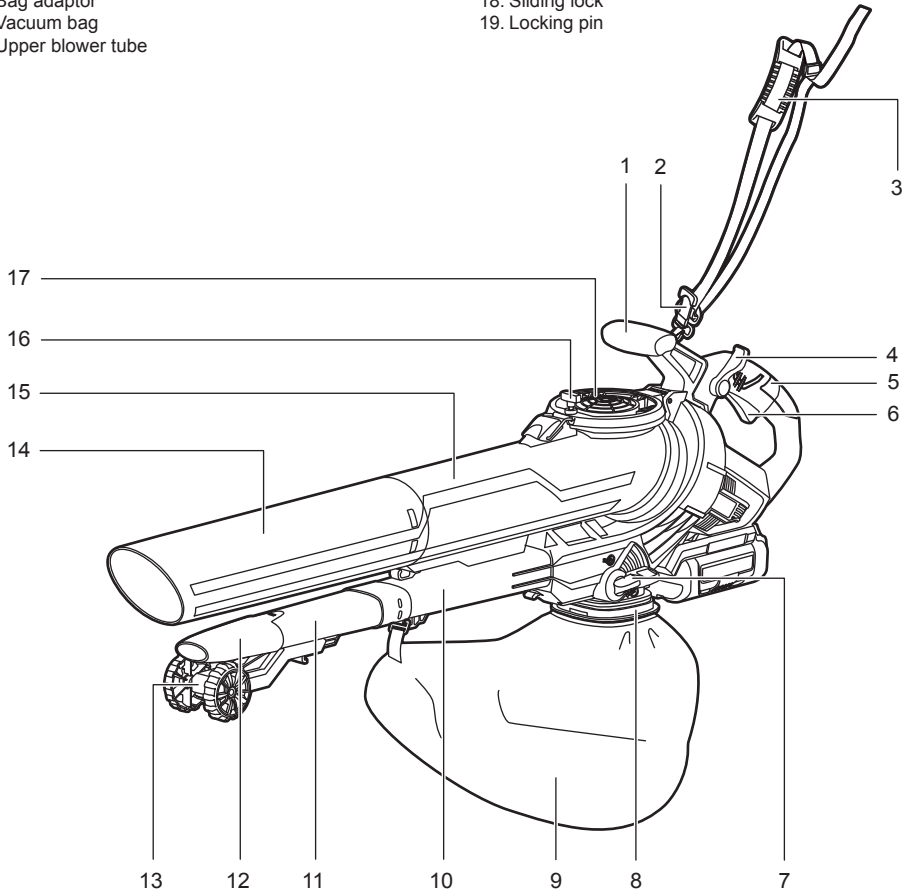


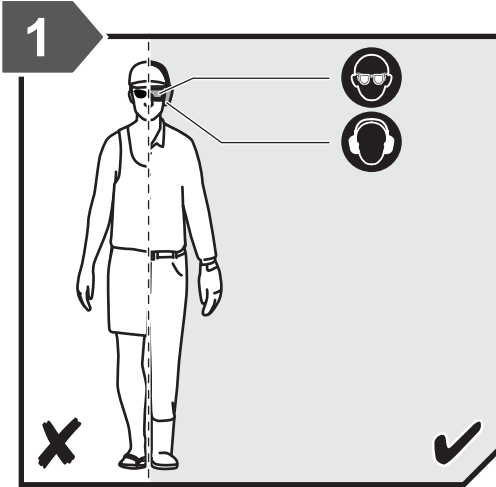
x 1



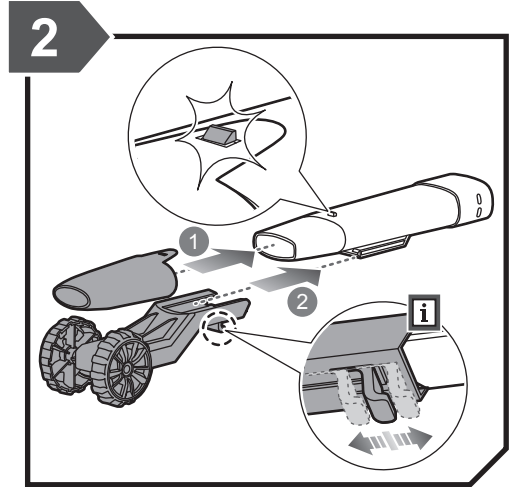
KNOW YOUR PRODUCT

1. Front handle
2. Quick release handle
3. Shoulder/strap pad
4. Cruise control lever
5. Rear handle
6. On/Off trigger
7. Blower/vacuum mode selection lever
8. Bag adaptor
9. Vacuum bag
10. Upper blower tube
11. Lower blower tube
12. High speed nozzle
13. Guide wheels
14. Lower vacuum tube
15. Upper vacuum tube
16. Locking screw
17. Fan cover
18. Sliding lock
19. Locking pin



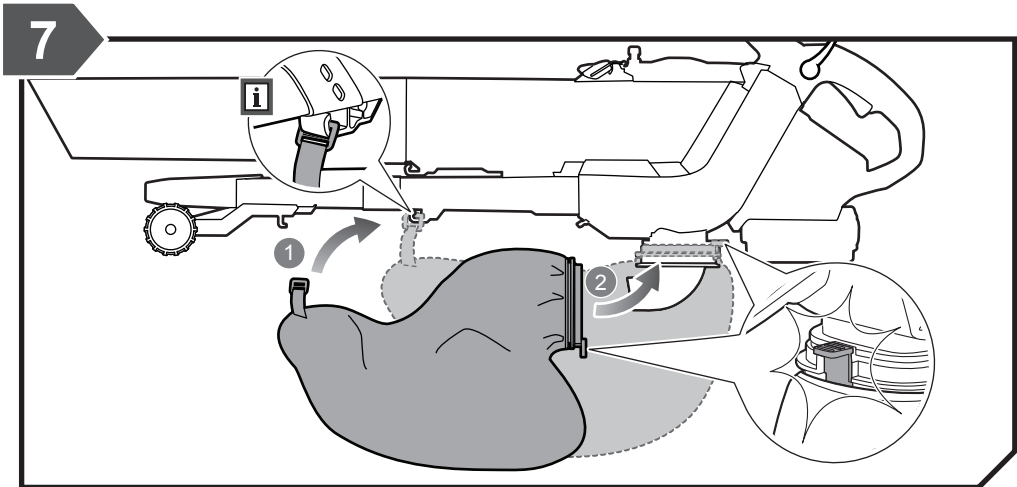


Wear full eye and ear protection, substantial footwear, and long trousers at all times while operating the product. Do not operate the product when barefoot or wearing open sandals.



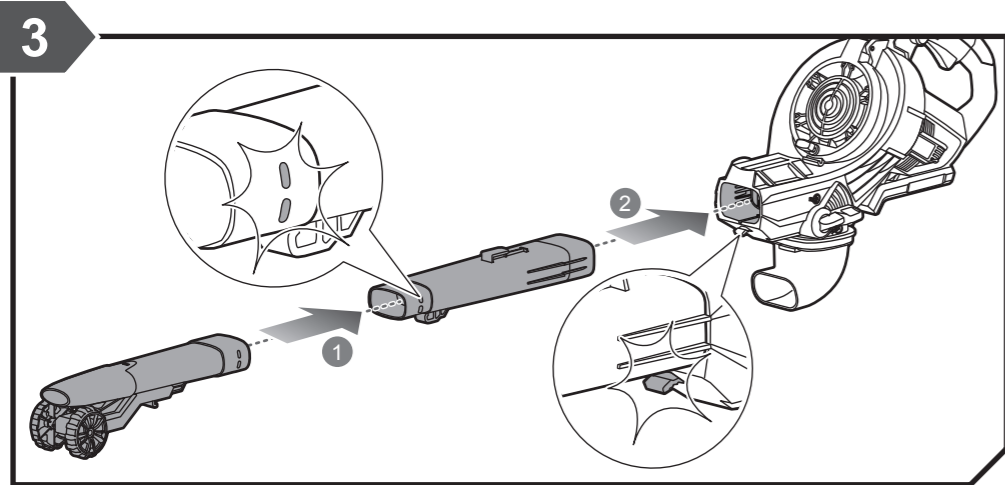
Push the high speed nozzle into the lower blower tube until it locks into place. Slide the guide wheels onto the lower blower tube.

NOTE: Use the tab on the rear side to slide the guide wheels up or down and adjust its position.



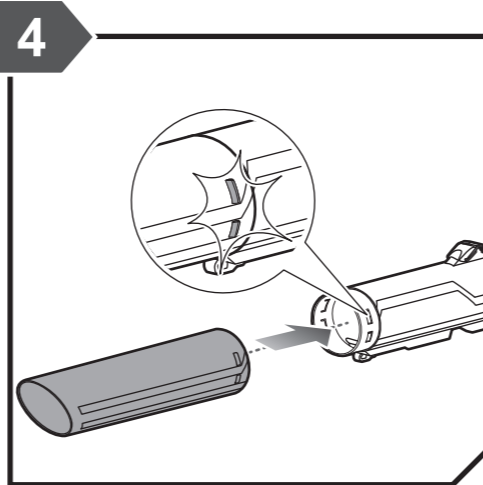
Hook the vacuum bag to the lower blower tube. Guide the vacuum bag opening over the bag adaptor, then snap the vacuum bag opening into place.

GETTING STARTED

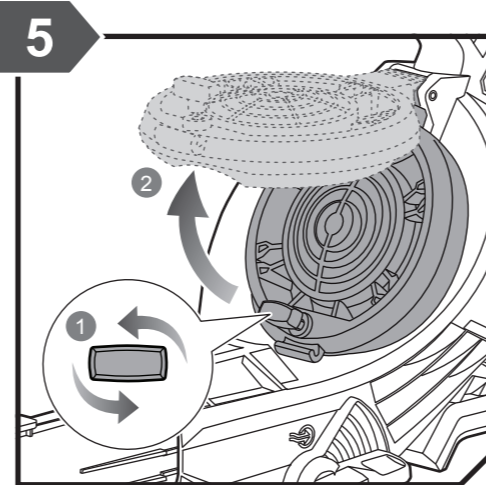


Connect the high speed nozzle/lower blower tube to the upper blower tube, then push until you hear an audible click, and the tube locks into place. Connect the high speed nozzle/blower tube to the housing opening, then push the nozzle/blower tube until you hear an audible click and the tube locks into place.

GETTING STARTED

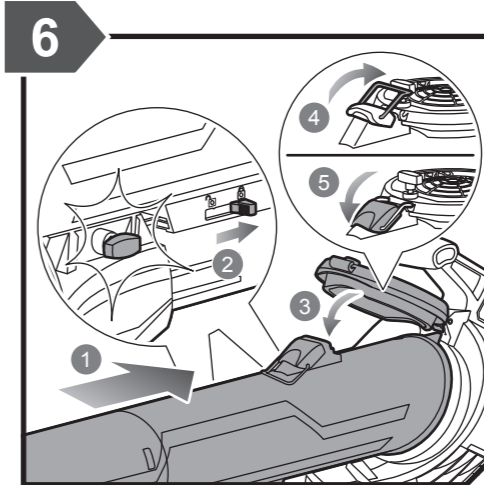


Push the lower vacuum tube into the upper vacuum tube until you hear an audible click and the tube locks into place.



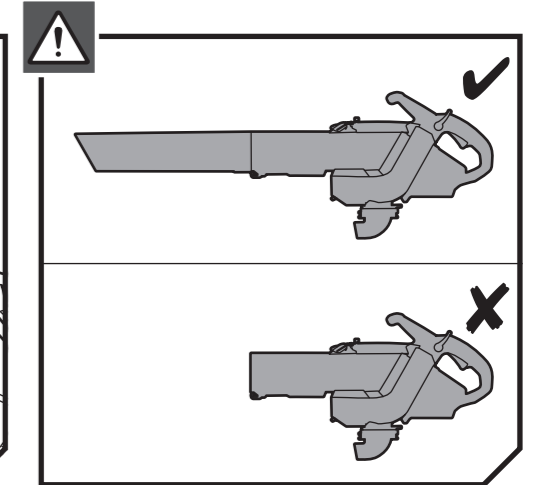
Turn the locking screw counterclockwise to unlock the fan cover. Rotate the fan cover upward to open the fan housing.

GETTING STARTED

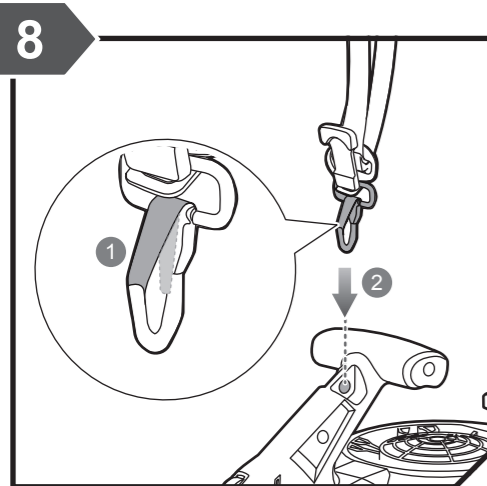


Push the lower/upper vacuum tube into the fan housing until it clicks into place. Slide the lock lever to the lock position to secure the vacuum tubes. Rotate the fan cover downward until it rests on the upper vacuum tube. Hook the lock clip to the fan cover and press the lock clip downward to secure the fan cover.

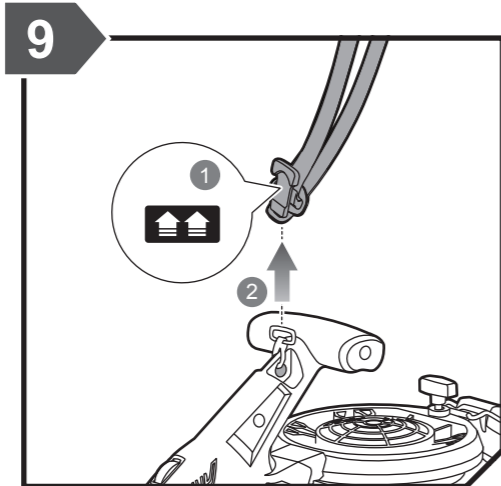
NOTE: Ensure that the vacuum tube is inserted correctly, and that the lock clip is secure and tight.



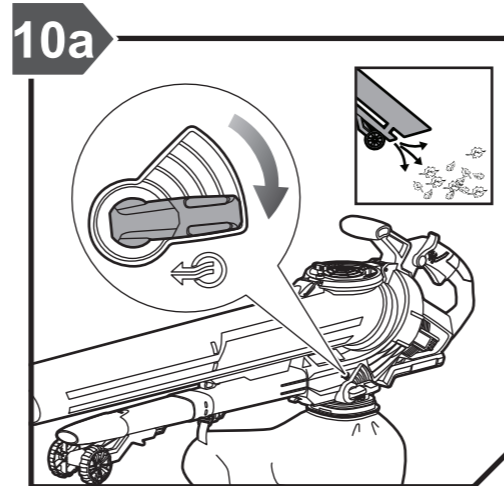
⚠ WARNING: Never operate the vacuum with only the upper vacuum tube fitted. Failure to follow this warning increases the risk of personal injury and damage to the product.



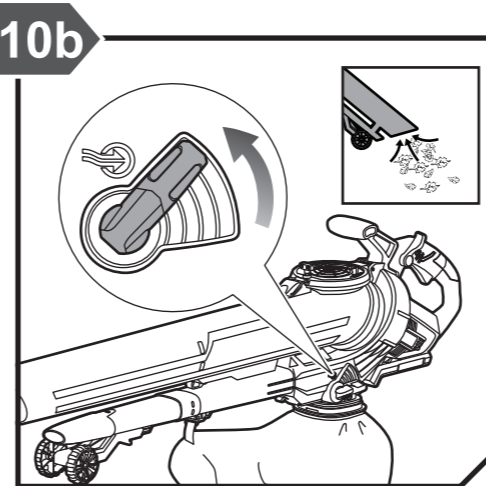
Hook the harness to the front handle.



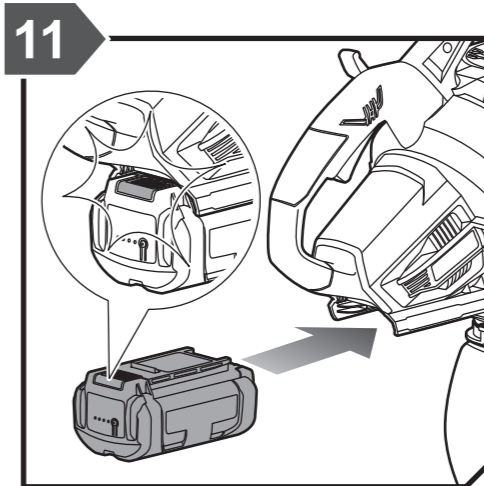
Pull the quick release handle to easily remove the harness from the product.



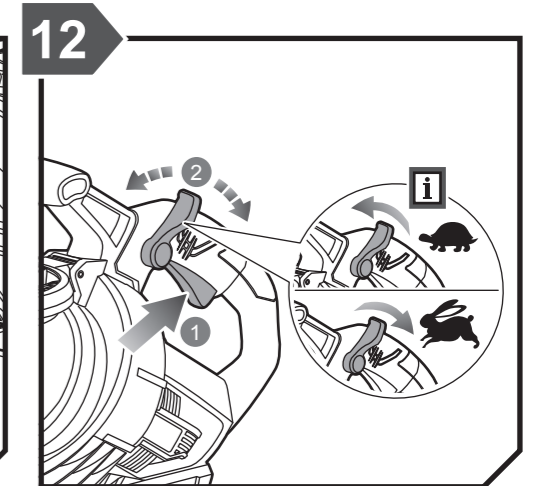
Set the mode selection lever to the bottom position to set the product to blower mode.



Set the mode selection lever to the top position to set the product to vacuum mode.

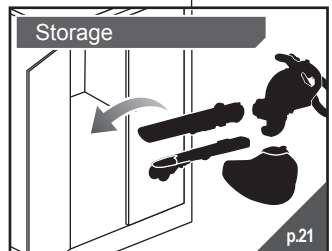
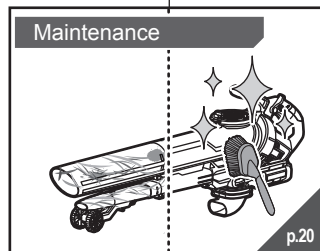
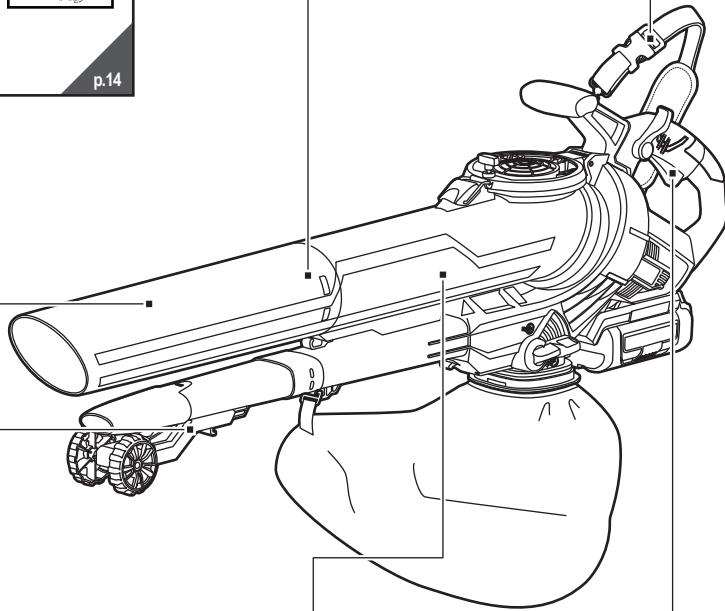
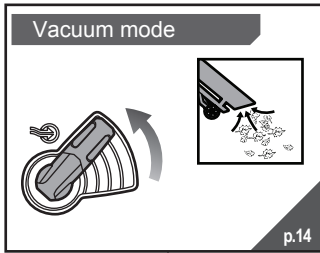
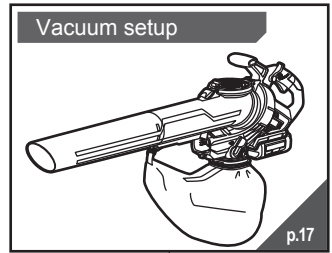
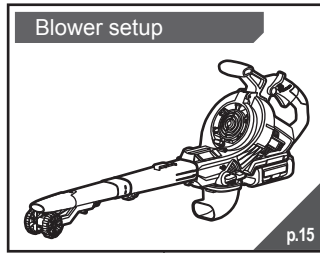
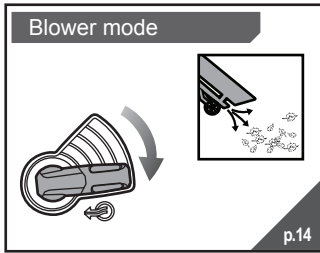


At the rear side of the housing, insert the battery pack until you hear an audible click and the battery locks into place.

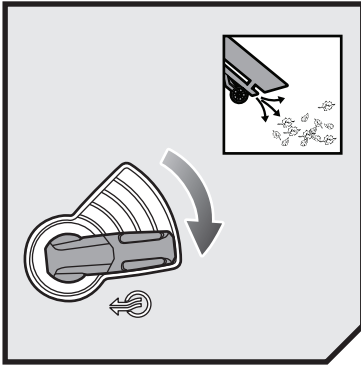


Squeeze the trigger to operate the product. Use the cruise control lever to lock the product to the desired power.

OVERVIEW

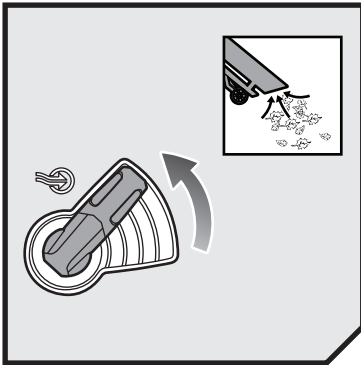
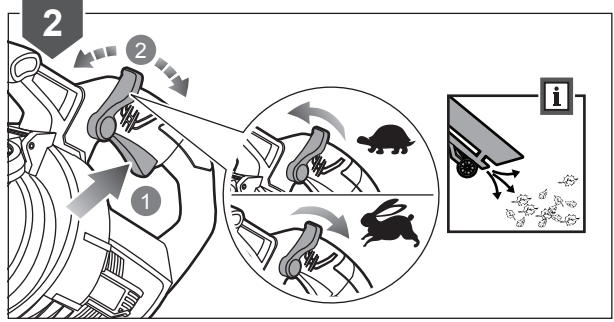
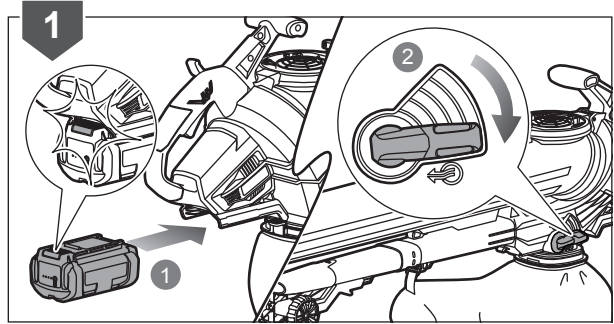


OPERATION



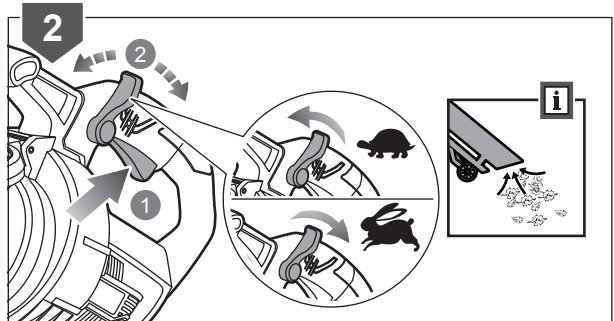
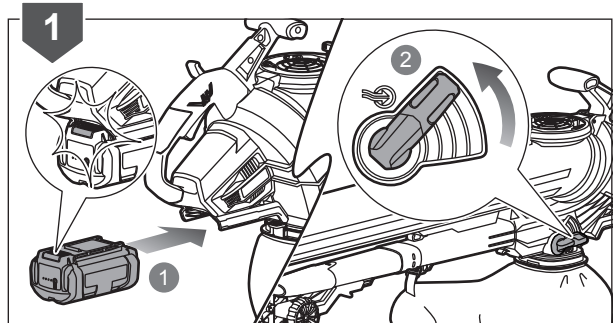
BLOWER MODE

1. At the rear side of the housing, insert the battery pack until you hear an audible click and the battery locks into place. Set the mode selection lever to the bottom position to set the product to blower mode.
2. Squeeze the trigger to operate the blower. Use the cruise control lever to lock the blower to the desired power.

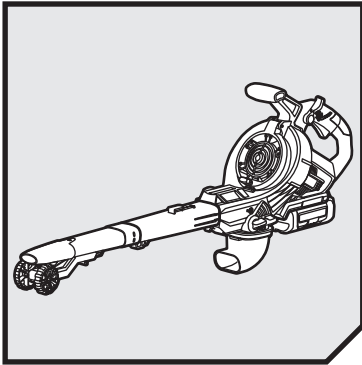


VACUUM MODE

1. At the rear side of the housing, insert the battery pack until you hear an audible click and the battery it locks into place. Set the mode selection lever to the top position to set the product to vacuum mode.
2. Squeeze the trigger to operate the product. Use the cruise control lever to lock the product to the desired power.



OPERATION



BLOWER SETUP

1. Remove the battery pack.

Press the latch to unlock and then pull the battery pack out of the housing.

2. Attach the high speed nozzle and guide wheels to the lower blower tube.

Push the high speed nozzle into the lower blower tube until it locks into place.

Slide the guide wheels onto the lower blower tube. Use the tab on the rear side to slide the guide wheel up or down and adjust its position.

3. Install the lower blower tube assembly, and upper blower tube to the housing.

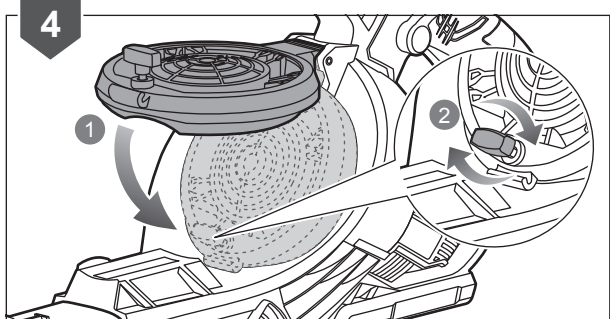
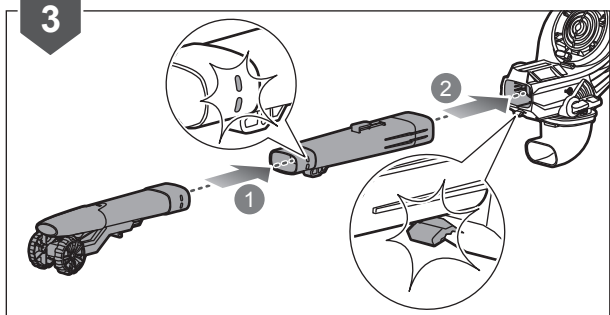
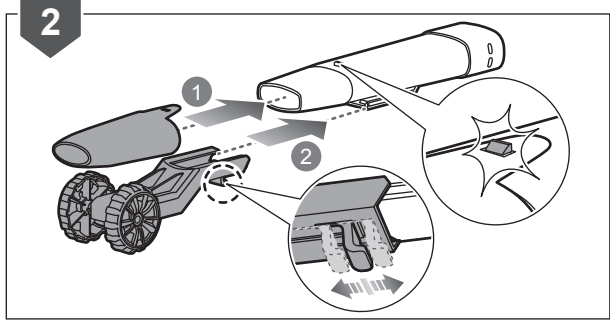
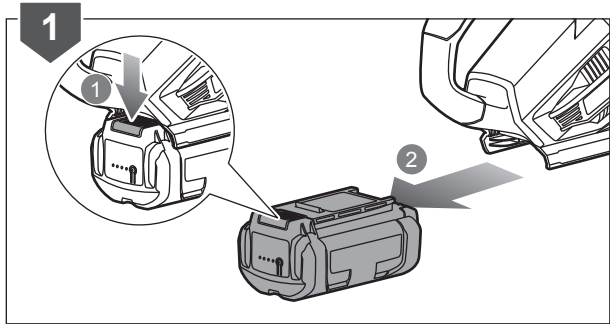
Push the lower blower tube assembly into the upper blower tube until you hear and audible click and the tube locks into place.

Push the blower tube assembly into the housing until it locks into place.

4. Close the fan cover.

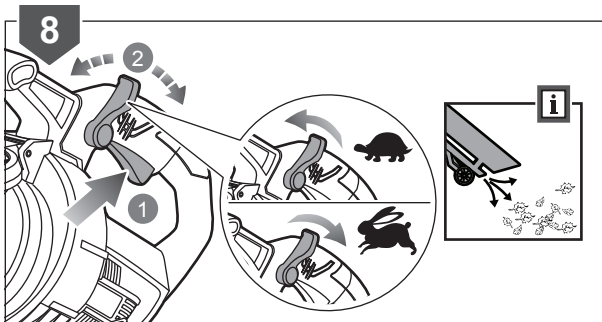
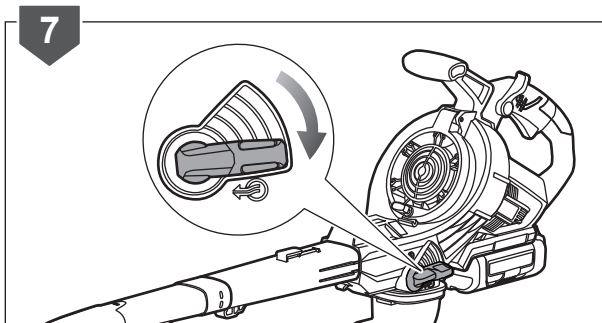
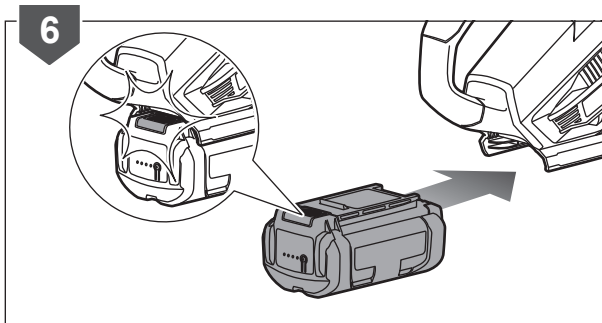
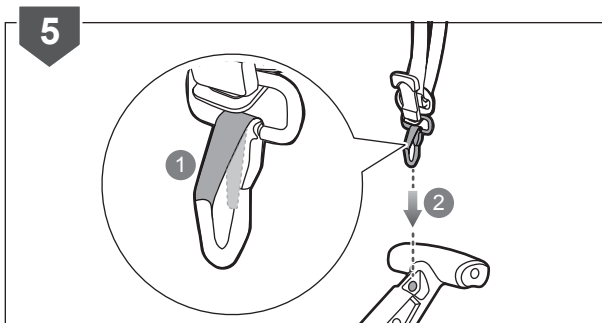
Rotate the fan cover downward to close the fan housing. Rotate the locking screw clockwise to secure the cover.

NOTE: Ensure to fully tighten the locking screw to engage the micro switch. If the screw is not tight, the unit will not work.

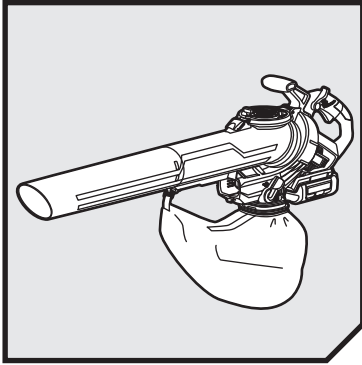


OPERATION

5. Hook the harness to the front handle.
6. At the rear side of the housing, insert the battery pack until you hear an audible click and the battery locks into place.
7. Set the mode selection lever to the bottom position to set the product to blower mode.
8. Squeeze the trigger to operate the product. Use the cruise control lever to lock the product to the desired power.



OPERATION



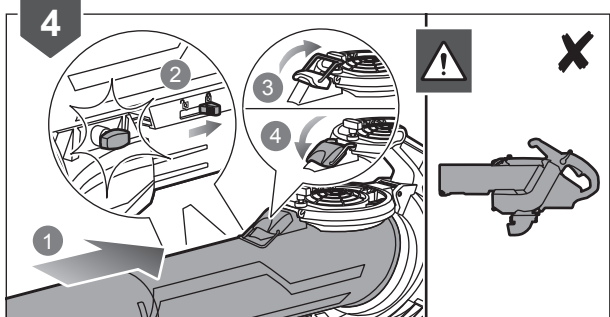
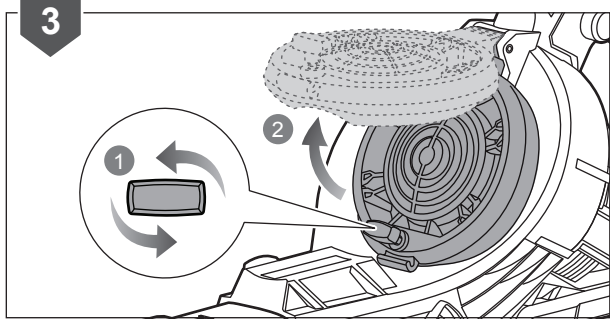
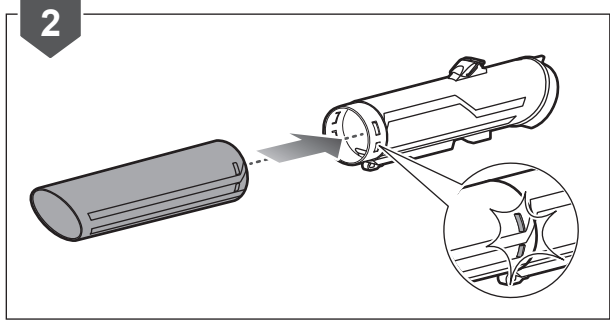
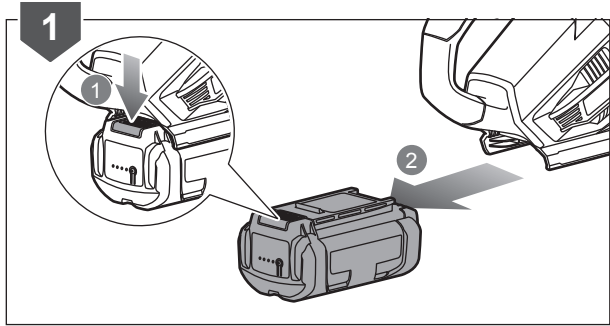
VACUUM SETUP

1. Remove the battery pack.
Press the latch to unlock and then pull the battery pack out of the housing.
2. Push the lower vacuum tube into the upper vacuum tube until you hear and audible click and the tube locks into place.
3. Turn the locking screw counterclockwise to unlock the fan cover. Rotate the fan cover upward to open the fan housing.
4. Install the vacuum tube assembly.

Push the vacuum tube assembly into the fan housing until it clicks into place. Slide the lock lever to the lock position to secure the vacuum tubes. Rotate the fan cover downward until it rests on the upper vacuum tube. Hook the lock clip to the fan cover and press the lock clip downward to secure the cover.

NOTE: Ensure that the vacuum tube is inserted correctly, and that the lock clip is secure and tight.

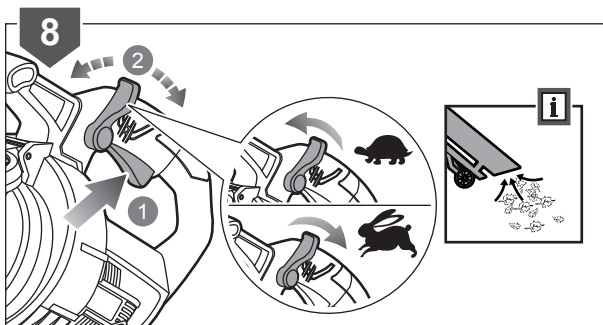
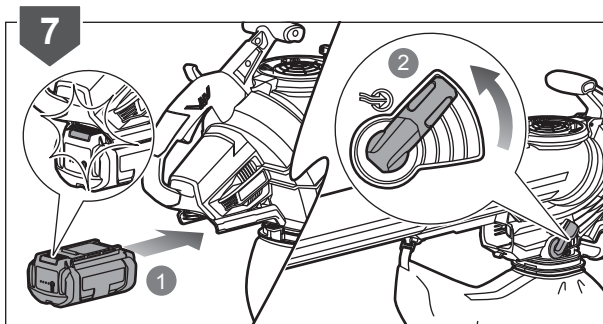
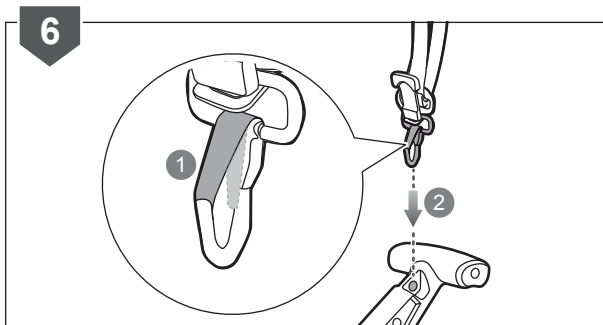
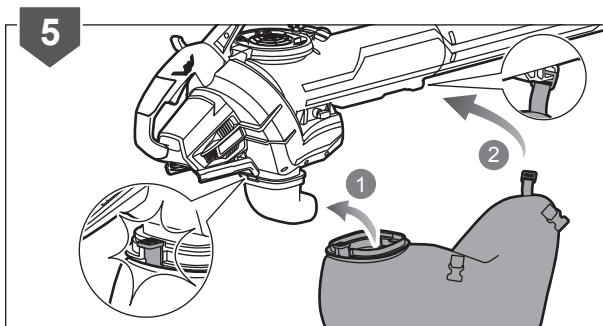
⚠ WARNING: Never operate the vacuum with only the upper vacuum tube fitted. Failure to follow this warning increases the risk of personal injury.



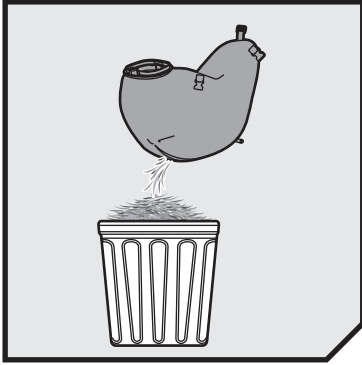
OPERATION

5. Guide the vacuum bag opening over the bag adaptor and then snap the rear side of the bag to secure it in place. Hook the vacuum bag to the lower blower tube.
6. Hook the harness to the front handle.
7. At the rear side of the housing, insert the battery pack until you hear an audible click and the battery locks into place. Set the mode selection lever to the top position to set the product to vacuum mode.
8. Squeeze the trigger to operate the product. Use the cruise control lever to lock the product to the desired power.

NOTE: Do not vacuum damp leaves and debris, water and liquids, twigs or barks, tough plants, gravel, stones, and rocks. This may result in damage to the product.

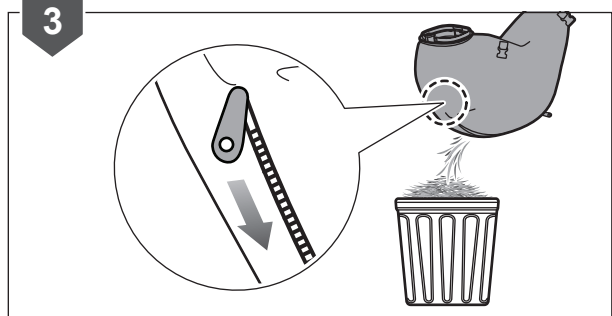
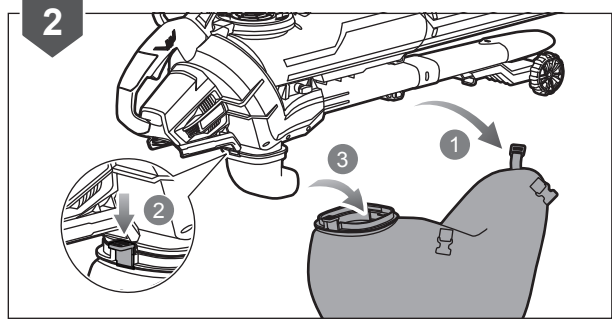
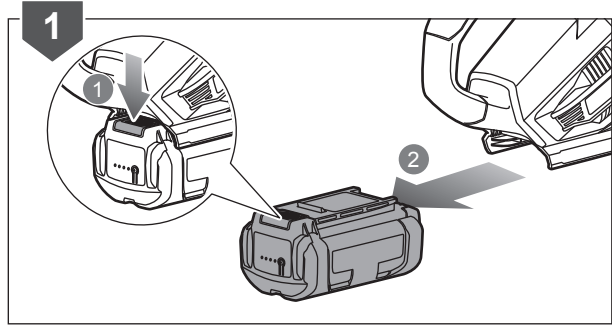


OPERATION

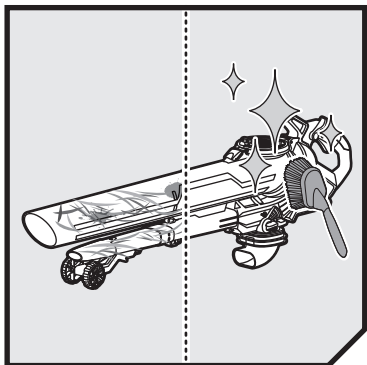


EMPTYING THE VAC BAG

1. Remove the battery pack.
Press the latch to unlock and then pull the battery pack out of the housing.
2. Remove the vacuum bag.
Unhook the vacuum bag from the lower blower tube. At the rear side of the vacuum bag opening, unlatch the locking tab from the bag adaptor and then remove the vacuum bag.
3. Unzip the vacuum bag and remove its contents.



MAINTENANCE



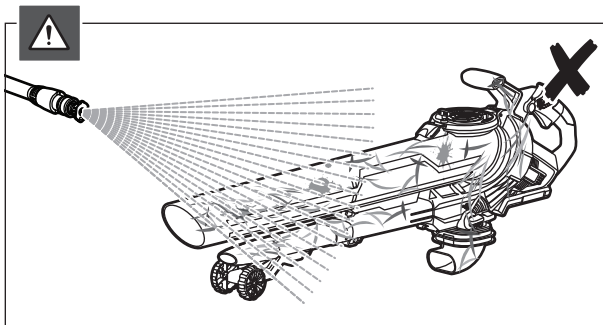
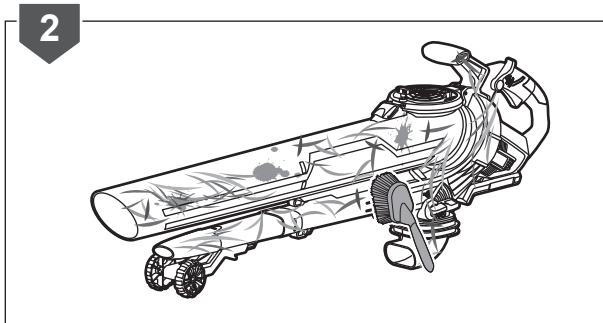
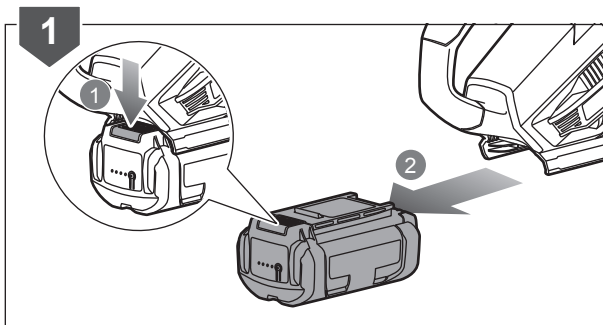
MAINTENANCE

1. Remove the battery pack.

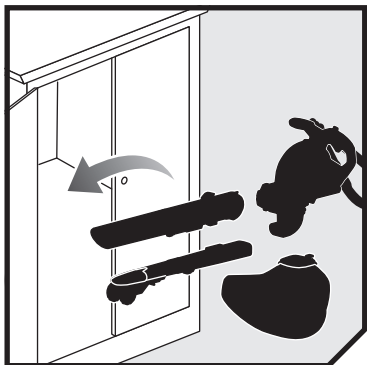
Press the latch to unlock and then pull the battery pack out of the housing.

2. Clean the product using a brush.

⚠ WARNING: Avoid using solvents when cleaning plastic parts. Most plastics are susceptible to damage from various types of commercial solvents and may be damaged by their use.



STORAGE



STORAGE

1. Remove the battery pack and vacuum bag.

Press the latch to unlock and then pull the battery pack out of the housing.

Unhook the vacuum bag from the lower blower tube. At the rear side of the vacuum bag opening, unlatch the locking tab from the bag adaptor and then remove the vacuum bag.

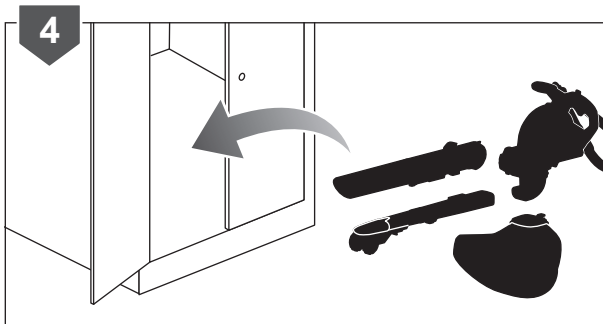
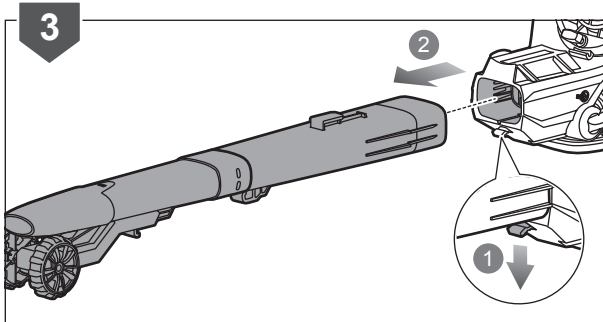
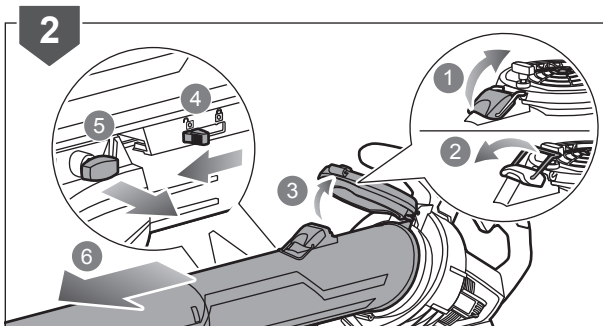
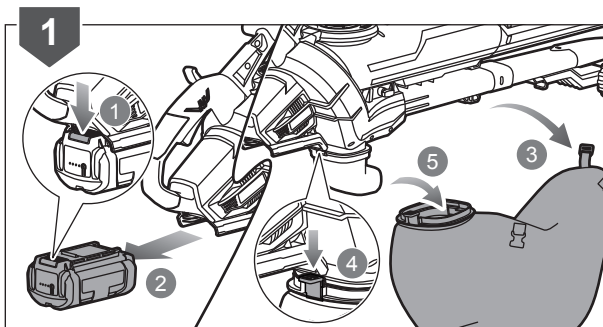
2. Remove the vacuum tube assembly.

On top of the upper vacuum tube, pull the lock clip upward and unhook the clip from the fan cover. Rotate the fan cover upward. Slide the vacuum tube lock lever to the unlock position. Pull the vacuum tube lock pin outward and then pull vacuum tube out of the housing.

3. Remove the blower tube assembly.

Under the upper blower tube, unlatch the tab to release the blower tube assembly and then pull out the tube assembly from the housing.

4. Store the product in a cool, dry, and well-ventilated place that is inaccessible to children. Keep away from corrosive agents, such as garden chemicals and de-icing salts. Do not store the product outdoors.



PRODUCT SPECIFICATIONS

Cordless Blower/Vacuum	
Model	RBV3600/RBV3640/RBV365/ RBV3650D
Rated voltage	36 V
Air velocity	
Blower	237.6 km/h
Vacuum	126 km/h
Air volume	
Blower	176.6 CFM
Vacuum	453.8 CFM
Mulching ratio	10:1
Weight (with battery)	
Blower/vacuum mode	5.8 kg
Blower mode	4.9 kg
Vacuum mode	5.3 kg
Vibration level (in accordance with Annex B of EN 15503:2009+A1:2013)	
Front handle (Blower/Vacuum)	6.8/5.8 m/s ²
Rear handle (Blower/Vacuum)	4.2/4.1 m/s ²
Uncertainty of measurement	1.5 m/s ²
Noise emission level (in accordance with Annex A of EN 15503:2009+A1:2013)	
A-weighted sound pressure level at the operator's position (Blower/Vacuum)	86.0/88.5 dB(A)
Uncertainty of measurement	2.5 dB
A-weighted sound power level	102.4 dB(A)
Uncertainty of measurement	1.3 dB

BATTERY AND CHARGER

Model	RBV3600	RBV3640	RBV365	RBV3650D
Battery pack	Not included	BPL3640D2	BPL3650D2	BPL3650D
Weight	-	1.4 kg	-	1.44 kg
Charger	Not included	BCL3617S	BCL3617S	BCL3620S
Compatible battery packs	BPL3626, BPL3626D, BPL3640, BPL3640D, BPL3650D, BPL3650D2, BPL3620D2, BPL3626D2, BPL3640D2			
Compatible chargers	BCL3620, BCL3620S, BCL3650F, BCL3617S, BCL3617U			

REPLACEMENT PART

Bag	RAC359
-----	--------

VIBRATION LEVEL

The declared vibration value has been measured with a standard test method and may be used to compare one tool with another.

The declared vibration value may be used in a preliminary assessment of exposure.

The vibration emission during actual use of power tool can differ from the declared total value depending on the ways in which the tool is used.

Identify safety measures to protect yourself based on an estimation of exposure in the actual conditions of use, taking account of all parts of the operating cycle such as the times when the tool is switched off and when it is running idle in addition to the trigger time.









*RYOBI is a trademark of Ryobi Limited,
and is used under license.*

Imported by:

Techtronic Industries Australia Pty Ltd
31 Gilby Road, Mount Waverley, VIC 3149,
Melbourne, Australia

Techtronic Industries N.Z. Limited
Unit C, 70 Business Parade South,
Highbrook, Auckland 2013, New Zealand