

Mondella

CADENZA
CURVY CHIC

CADENZA CHROME SWIVEL BASIN MIXER

40mm cartridge

Manufactured to Australian
standards AS/NZS3718,
WMKA21979 ApprovalMark

Fitted with approved water saving
devices. WELS Lic No.1101

Item Number: 5003380
MON1272



AS/NZS3718
WMKA21979
ApprovalMark



7.5 litres per
minute

In accordance with AS/NZS 6400

Licence No. 1101

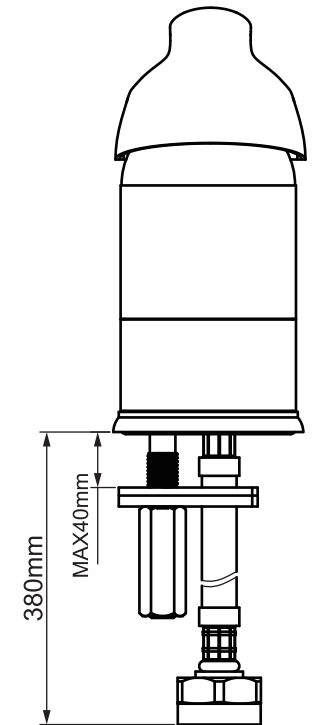
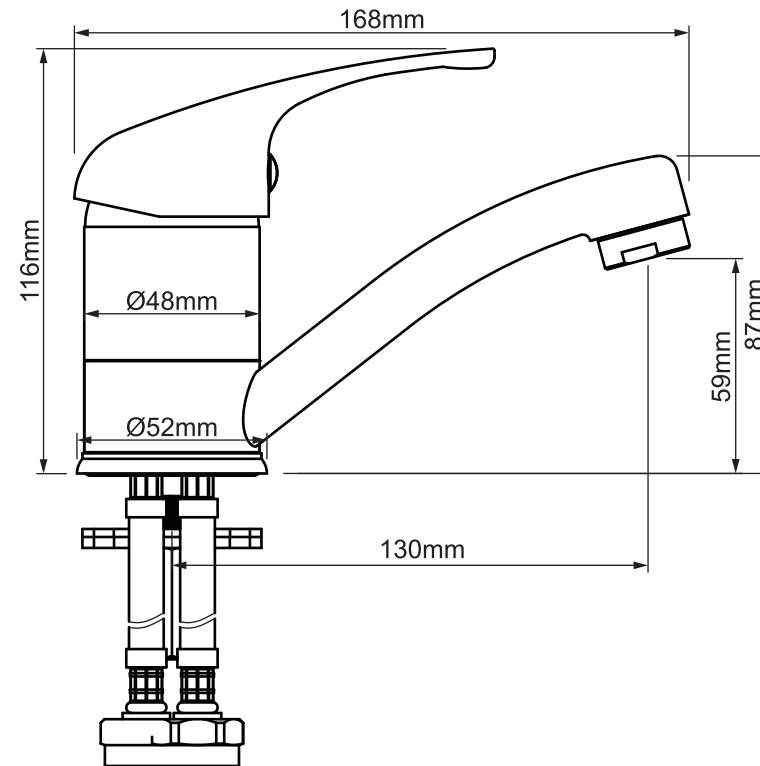
Kinetic Sourcing Group Ltd

10 YEAR WARRANTY*



* refer to www.mondella.com.au for full warranty details

MON1272-FLV2
27/07/23



All dimensions in millimetres (mm) and subject to manufacturing tolerances.