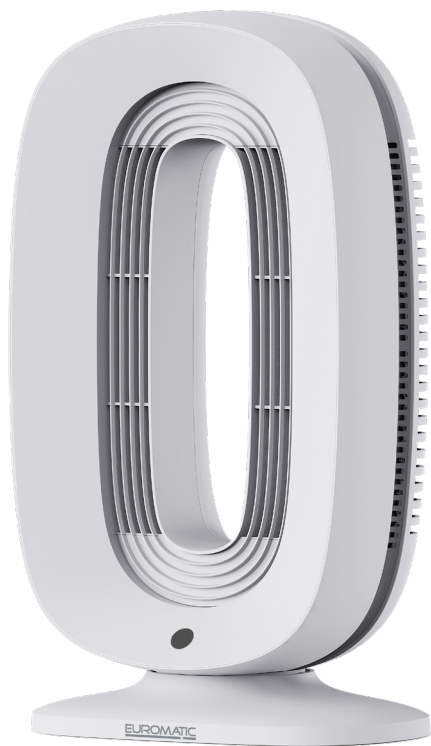


EUROMATIC



Tabletop Bladeless Fan

INSTRUCTION MANUAL

Model Number EUR-TBF

AFTER SALES SUPPORT

(AU) 1300 886 649 (NZ) 0800 836 761



Contents

Important Safety Instructions	3
Product Overview	6
Getting Started	7
Instructions	8
Other Useful Information	11

Important Safety Instructions

Read this manual thoroughly before first use, even if you are familiar with this type of product. The safety precautions enclosed herein reduce the risk of fire, electric shock and injury when correctly adhered to. Make sure you understand all instructions and warnings. Keep the manual in a safe place for future reference, along with the completed warranty card, purchase receipt and carton. If you sell or transfer ownership of this product, pass on these instructions to the new owner.

Always follow basic safety precautions and accident prevention measures when using an electrical appliance, including the following:

Electrical safety and cord handling

- **Voltage:** Make sure your outlet voltage and circuit frequency correspond to the voltage stated on the appliance rating label. If this is not the case, do not use the fan.
- **Water:** To protect against the risk of fire and electric shock, do not immerse the adaptor, plug or the fan itself in water or other liquid, or expose the electrical connections to water. Ensure your hands are dry before handling the plug or switching on the appliance. Do not use the fan outdoors or on wet surfaces. Protect it from liquid spills. Do not use it in a bathroom or laundry, or where it can be splashed with water. Never locate the unit where it may fall into a bathtub or other water container.
- **Damage:** Check the adaptor regularly for visible damage. If the cord is damaged, it must be replaced by the manufacturer, its authorised service centres or appropriately qualified personnel in order to avoid any hazards.
WARNING! Do not pick up or operate the appliance if the power supply cord, plug or housing is damaged, or after it malfunctions or has been dropped or damaged in any manner. In case of damage, contact our after sales support centre.
- **Protect the adaptor:** Do not kink or damage the cord; do not place it near a heat source. Do not pull or carry the appliance by the cord or use the cord as a handle, close a door on the cord or pull it around sharp edges or corners. Always unwind the cord completely to avoid overheating. Run the cord in such a way so that no one will trip over it. Do not run the power cord under carpeting or cover the power cord with throw rugs, runners, etc.. Do not place the power cord over any part of the unit.
- **WARNING! No extension cord, no timer:** Do not use this fan with an extension cord, plug adaptor, external timer, programmer or separate speed control device.
- **Connection:** To insert the plug, grasp it firmly and guide it into outlet.

Important Safety Instructions (Cont.)

- **Disconnection:** Switch off and unplug the appliance when it is not in use and before cleaning, servicing, moving or storing the appliance. Grasp the plug and remove it from the outlet, do not pull the cord when disconnecting.
- **RCD:** The installation of a residual current device (safety switch) is recommended to provide additional safety protection when using electrical appliances. It is advisable that a safety switch with a rated residual operating current not exceeding 30 mA be installed in the electrical circuit supplying the appliance. See your electrician for professional advice.
- **Adaptor:** Use only the AC adaptor provided with this product to connect it to a suitable wall socket.

Usage conditions and restrictions

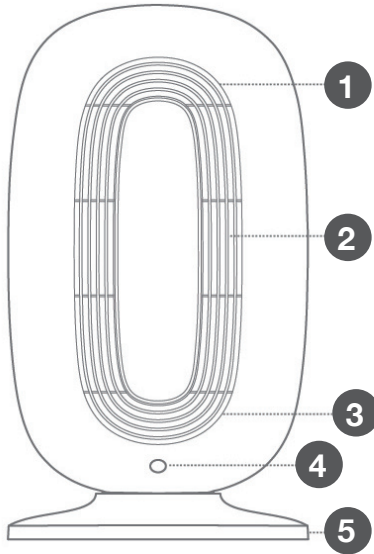
- **Domestic use only:** This appliance is intended for indoor household use only. It is not suitable for commercial, industrial or outdoor use. Do not use it for anything other than its intended purpose, and only use it as described in this manual. Any other use may cause fire, electric shock or injury.
- **Not a dryer:** Do not use this fan as a dryer.
- **Common sense:** These instructions are not intended to cover every possible condition and situation. As with any electrical appliance, common sense and caution are therefore always recommended when installing, operating and maintaining the unit.
- **Attachments:** The use of accessory attachments not recommended in this manual may cause injury or hazards.
- **Misuse:** We accept no responsibility for any damages or personal injury caused by misuse of the product and/or failure to follow these instructions.
- **Usage restriction:** This fan is not intended for use by persons (including children) with reduced physical, sensory or mental capabilities, or lack of experience and knowledge, unless they have been given supervision or instruction concerning use of the appliance by a person responsible for their safety.
- **Children:** Supervise children to ensure they do not play with the fan. Close supervision is necessary when any appliance is used by or near children.
- **WARNING! Do not leave unattended during use!** Always switch it off and unplug when not in use, if left unattended, and before cleaning and storing.
- **Location:** Place the fan on a dry, flat, stable surface to avoid overturning.
- **Proper assembly:** Do not operate the fan until fully assembled with all parts.
- **Upright position:** Place the unit on a flat surface to reduce the risk of it tipping over. Do not tilt the unit, always keep it upright.
- **WARNING! Electric shock hazard!** Do not plug in the fan until fully assembled.

Important Safety Instructions (Cont.)

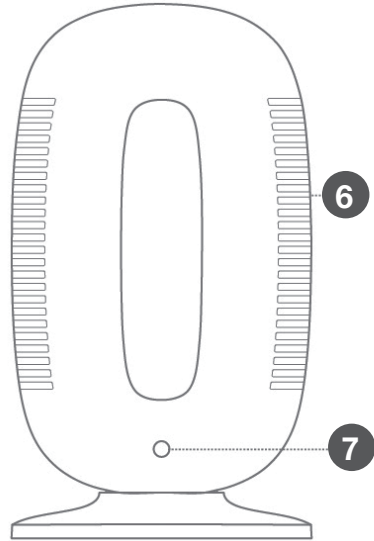
- **WARNING! DO NOT use the fan in the following areas/circumstances:**
 - * Near an open flame or near other sources of high heat.
 - * Near an open window where rain may enter the product.
 - * On a soft surface (such as carpet) or where it may tip over during use.
 - * Outdoors or in areas of high humidity (e.g. in a bathroom), without ventilation.
 - * In areas where paint, petrol, etc. is stored and there is a risk of explosion or fire from flammable gases.
- **CAUTION! Personal safety:** Avoid contact with moving parts. Never insert fingers, pencils or any other objects through the grilles when the fan is connected to power, and make sure to warn children of the dangers.
- **Positioning:** This product must always be used and stored in an upright position. Do not move the appliance while it is in use. Set the fan on a dry, horizontal surface away from heat sources, corrosive air, and moisture. Ensure there is at least 150 mm of clearance from wall surfaces and objects to maintain proper air circulation.
- **Do not cover** the fan and ensure nothing is blocking the air outlet and intake.
- **After use:** Unplug the unit from the outlet when not in use or before cleaning. Allow to cool before putting on or taking off any parts.
- **Battery disposal:** The batteries in the remote control must be recycled or disposed of properly in accordance with local regulations.

Product Overview

Front view



Back view



Parts list

- 1 Decorative cover (top)
- 2 Air outlet
- 3 Decorative cover (bottom)
- 4 Display and control
- 5 Base
- 6 Inlet
- 7 Power interface
- 8 AC adaptor
- 9 Remote control

Also supplied, but not pictured:

- Instruction manual
- Warranty certificate



NOTE: Due to continued product improvement, images and illustrations in this manual may vary slightly from the product purchased. All images in this manual are for reference purposes only. Parts are not necessarily pictured to scale.

Getting Started

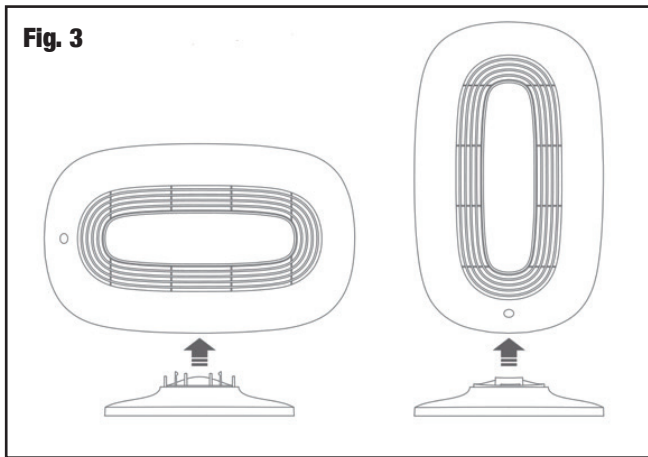
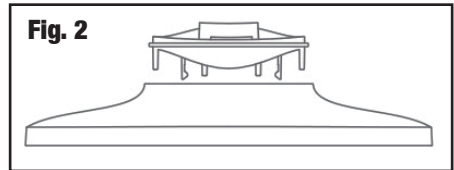
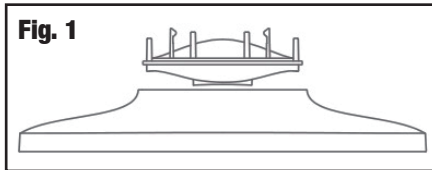
Before First Use

- **Unpacking:** This product has been packaged to protect it against transportation damage. Unpack the appliance and keep the original packaging carton and materials in a safe place. It will help prevent any damage if the product needs to be transported in the future, and you can use it to store the appliance when it is not in use. In the event that the packaging materials are to be disposed of, please recycle them where possible. Plastic wrapping can be a suffocation hazard for babies and young children, so ensure all packaging materials are out of their reach and disposed of safely.
- **Inspection:** Unwind the adaptor cord to its full length and inspect it for damage. Do not use the appliance if the appliance or its cord have been damaged or are not working properly. In case of damage, contact our after sales support centre for advice on examination, repair or return of the damaged product.
- **Documentation:** Make sure you have read and understood all instructions and warnings in this manual. Refer to the Product Overview, opposite, to familiarise yourself with the product and identify all parts. Pay particular attention to the safety instructions on the previous pages.
- **Assembly:** Before using the tabletop bladeless fan, the base (supplied separately in the carton), must be attached to the unit.

Instructions

Assembly

- Remove the appliance, the base and the adaptor from the carton.
- You can choose to attach the fan body horizontally or vertically to the base:
 - **Horizontal:** Turn the connector clockwise to lock with the base (Fig. 1).
 - **Vertical:** Turn the connector clockwise to lock with the base (Fig. 2).
- Fix the fan body onto the base in the desired orientation (Fig. 3).



Setting up the fan

- Please place the fan on a level, stable surface in an upright position.
- Ensure that the air inlet is not obstructed during use.
- Avoid placing the fan near curtains or any objects that might block the air inlet and hinder its operation.
- Maintain a clearance of at least 30 cm in front of the air outlet to ensure optimal airflow.

Instructions (Cont.)

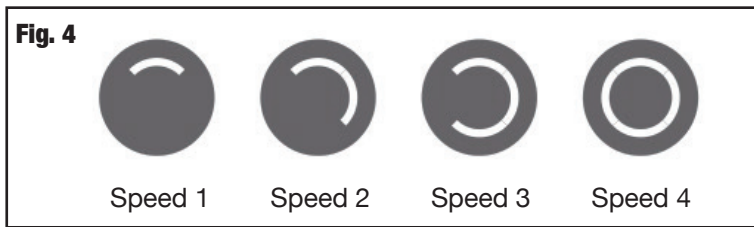
- Connect the adaptor plug to the socket on the fan.
- Unwind the adaptor and insert the mains plug of the adaptor into a power socket. Verify that the voltage specified on the fan's plate matches your home voltage.
- Once connected, the fan will enter standby mode.

Control panel

- After the fan is connected to the power supply, tap the display screen to start the fan.
- To adjust the airflow speed, press the display. The fan will cycle through the four airflow speeds:

1 --> 2 --> 3 --> 4

- The wind speed is shown on the display (Fig. 4).



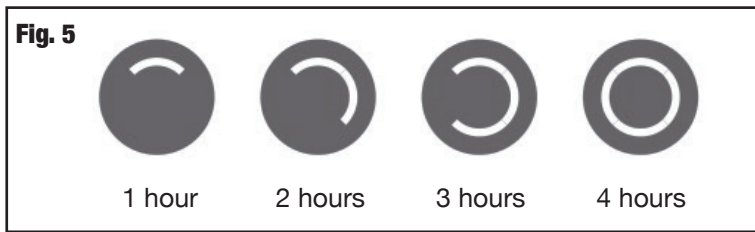
- Press the display screen on the display, the fan 1-2-3-4 (low to high) will cycle in turn, the cycle white light indicates the speed.
- Press and hold the display screen for two seconds to turn the fan off again.
- **Note:** After 20 seconds of inactivity, the display will turn off. Press the display to turn it on again.

Remote control

- After the fan is connected to the power supply, press the power button on the remote control [⏻] to turn it on.
- To adjust the airflow speed, press the [+] button to increase and the [-] button to decrease the speed. There are four available speeds.
- The remote control also allows you to set a timer, which will automatically switch the fan off after the set time. Press the timer button [⌚] to activate this feature.

Instructions (Cont.)

- You can choose from one to four hours using the following steps:
 - **1 hour:** Press the timer once.
 - **2 hours:** Press the timer twice.
 - **3 hours:** Press the timer a third time.
 - **4 hours:** Press the timer a fourth time.
- To turn off the timer feature, press the timer button again. The fan will beep twice.
- The timer is shown on the display in green light (Fig. 5).



- For a quieter operation with reduced wind speed, press the sleep button [🌙]. This will minimise noise and turn off the display screen.
- Press the mute button [🔇] to mute the fan.

After use

- After use, turn off the fan by pressing the “ON / OFF” button on the remote control or by pressing and holding the display screen for two seconds.
- Disconnect the power cord only after turning off the appliance.

Other Useful Information

Care and Maintenance

WARNING!

- Before cleaning, maintenance or moving the fan, switch off the fan and unplug it from the wall outlet.
- Do not immerse the fan in water or other liquids. Do not spray it with liquids. Do not allow water to drip on or into the fan motor housing.
- Never use petrol, solvents, harsh detergents, or abrasive or alkaline cleaners on the fan.

Cleaning the fan

- Gently wipe the surface of the fan with a soft, dry cloth to clean it after each use.
- If the fan surface is particularly dirty, mix some mild detergent with warm water and use a soft cloth to wipe the surface. Afterwards, dry the fan with a clean, soft cloth.
- Use a soft brush or vacuum cleaner to remove dust from the air inlet and outlet, as excessive dust can affect the fan's performance.
- Gently wipe the surface of the remote control with a soft, dry cloth. If you do not plan to use the remote control for an extended period, please remove the batteries.

Battery installation and replacement

- Before using the remote control, insert the provided batteries.
- First, open the cover on the back of the remote control (Fig. 6).
- Insert two new AAA 1.5V alkaline batteries, aligning them with the polarity indicator markings (+/-) inside the compartment.
- Close the cover, ensuring the locking tabs click into place.

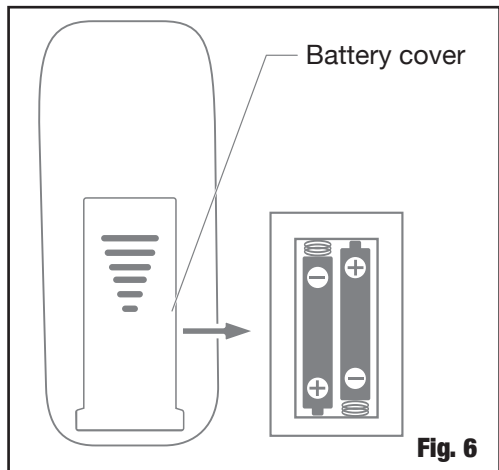


Fig. 6

Other Useful Information (Cont.)

NOTE:

- Do not use rechargeable batteries.
- Replace old batteries with new ones of the same type when the remote is less responsive.
- Dispose of your remote control batteries in accordance with your local laws and regulations concerning battery disposal.

Storage



At the end of the season, clean the fan as described above, then store the appliance in a cool and dry place, out of reach of children. We recommend storing the appliance in its original carton to protect it from dust. Alternatively, place a plastic bag or piece of material over the appliance for dust protection.

Service and repair

The appliance requires little maintenance and contains no user-serviceable parts inside. Do not attempt to take it apart, repair or modify it. It is not designed to be dismantled without special tools.

Do not operate the fan if its power cord or plug is damaged, or when it is working abnormally. In case of damage or malfunction, or if the cord is damaged, have the unit repaired by trained personnel only, or contact our after sales support centre for advice.

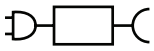
Technical specifications

Model	EUR-TBF
Rating	12 V  12 W
Adaptor Model Number	CW1202000AU
Adaptor Input	100-240 V~ 50/60 Hz 0.8 A Max
Adaptor Output	12 V  2 A
Timer	1-4 hours

Compliance

This appliance has been fully tested and meets all requirements as set out by standards AS/NZS 60335.1 and AS/NZS 60335.2.80.

Other Useful Information (Cont.)



This marking indicates only to use this fan with the supplied adaptor CW1202000AU.



This marking indicates that the appliance is suitable for use in tropical climates under ambient temperatures of 18 °C to 43 °C.



The RCM Mark (Regulatory Compliance Mark) indicates that the product complies with the relevant guidelines of the ACMA as well as corresponding government requirements for the safety of electrical devices.

Responsible disposal



Packaging materials are recyclable. Please dispose of them responsibly for recycling.

At the end of its working life, make the appliance unserviceable by unplugging it from the power outlet and cutting the power cord.



Do not throw this appliance out with your household waste. Electrical and electronic products contain substances that can have a detrimental effect on the environment and human health if disposed of inappropriately. Observe any local regulations regarding the disposal of electrical consumer goods and dispose of it appropriately for recycling.

Contact your local authorities for advice on recycling facilities in your area. Or find recycling scheme services listed on Planet Ark's website at www.recyclingnearyou.com.au, or call Planet Ark on 1300 733 712.

This page has been left blank intentionally.

This page has been left blank intentionally.

Warranty returns

Should you for any reason need to return this product for a warranty claim, make sure to include all accessories with the product.

Product does not work?

If you encounter problems with this product, or if it fails to perform to your expectations, make sure to contact our After Sales Support Centre on 1300 886 649 for advice.

For an electronic copy of this manual, please contact our after sales support centre.

Distributed by Tempo (Aust) Pty Ltd ABN 70 106 100 252

PO BOX 6097, North Sydney 2059, NSW Australia

Customer Helpline:

(AU) 1300 886 649 (NZ) 0800 836 761

Web Support: tempo.org/support